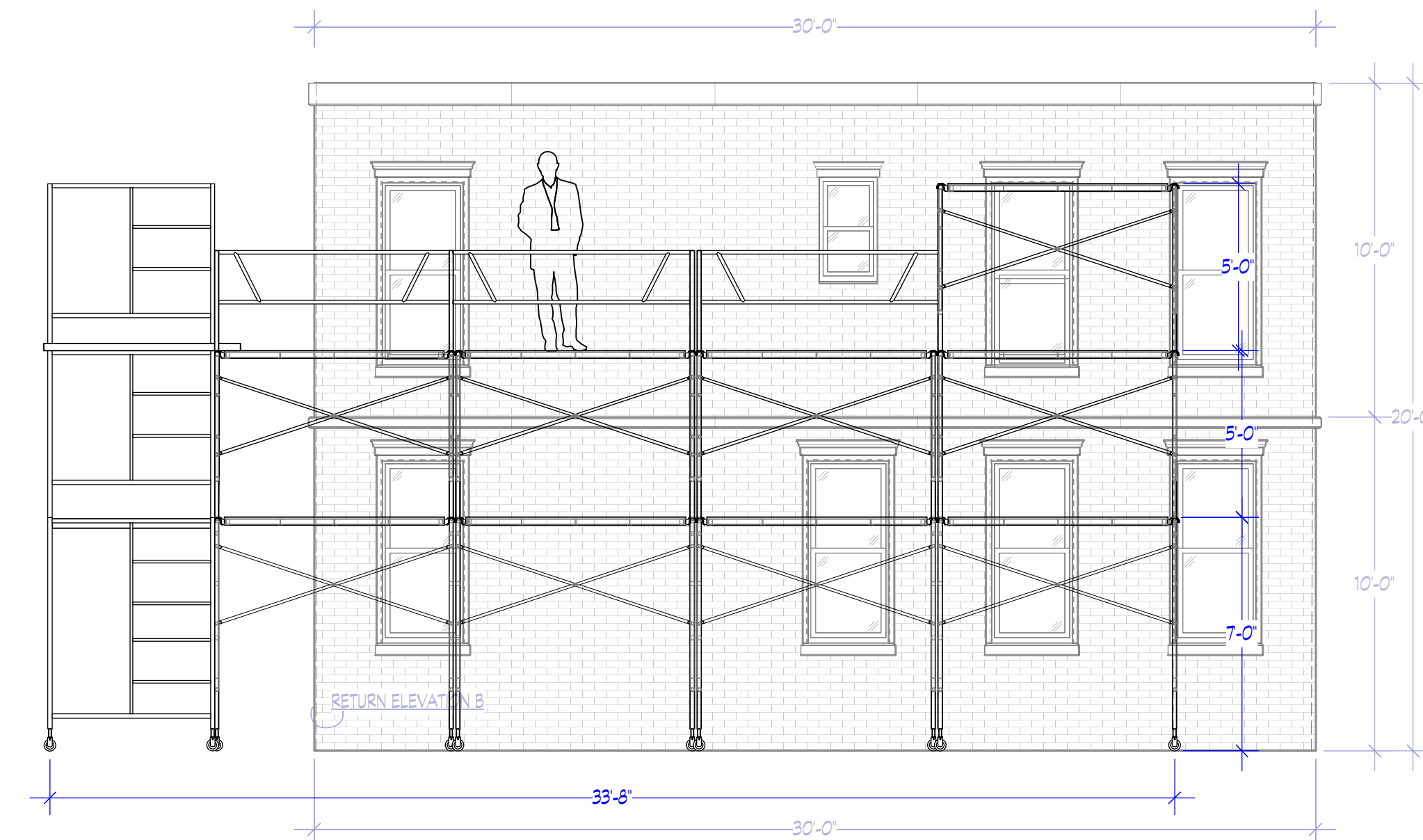
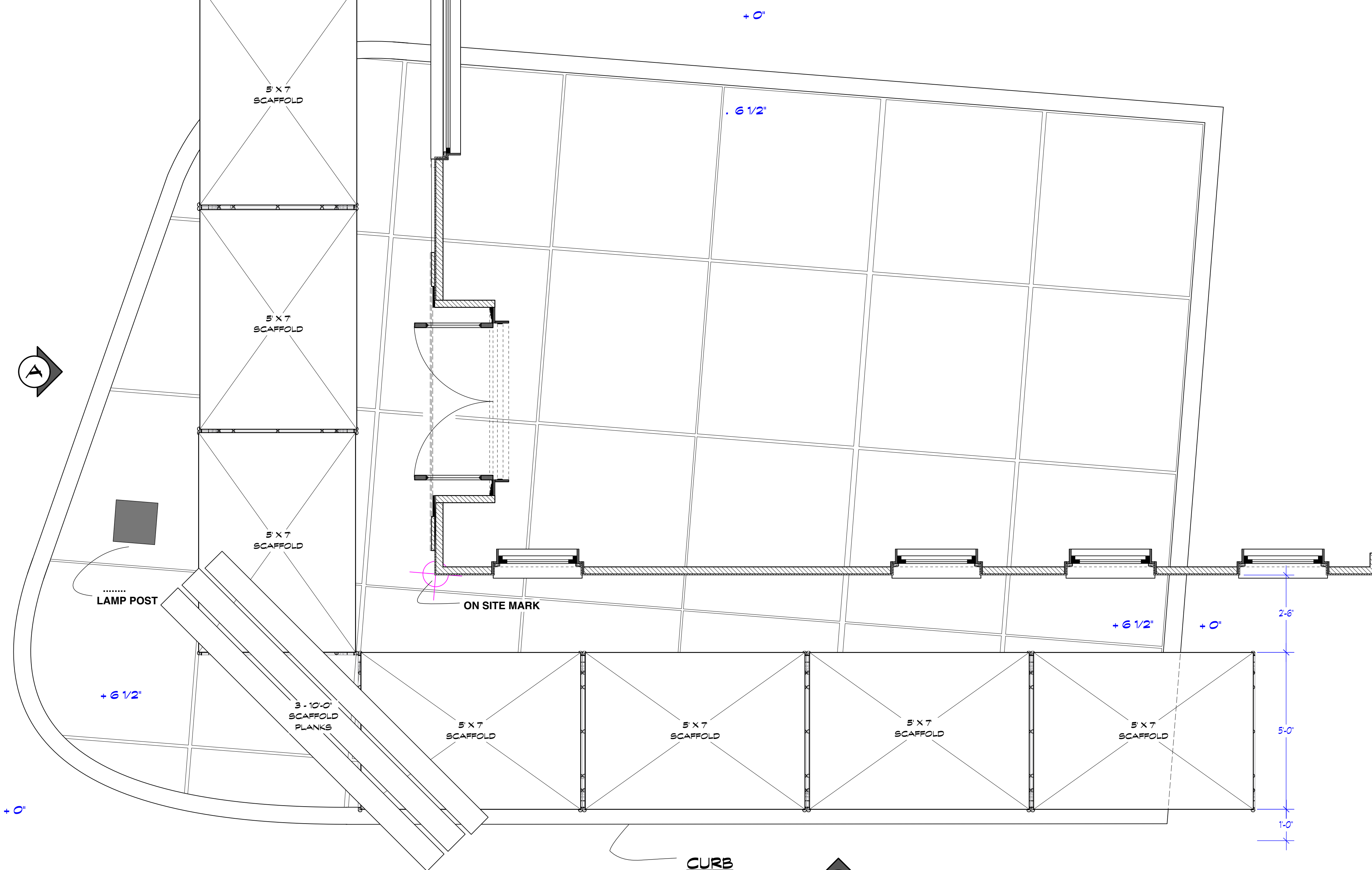


A SCAFFOLD ENTRANCE ELEVATION
Scale: 1/4" = 1'-0"



B SCAFFOLD WINDOWS ELEVATION
Scale: 1/4" = 1'-0"

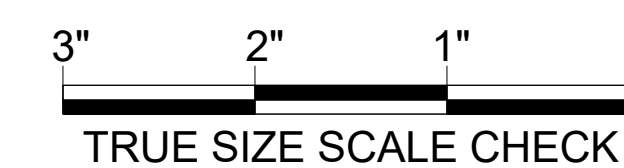


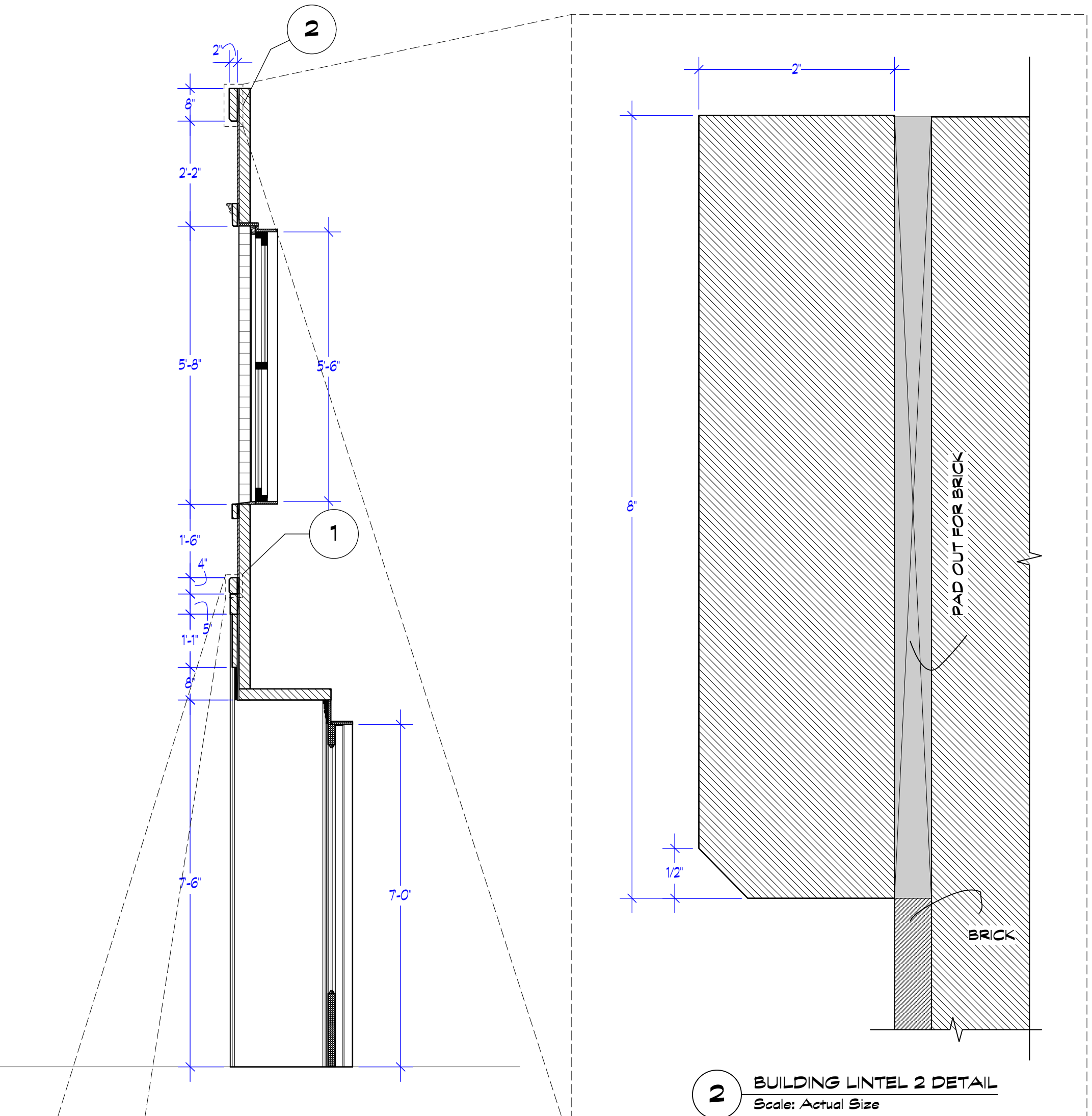
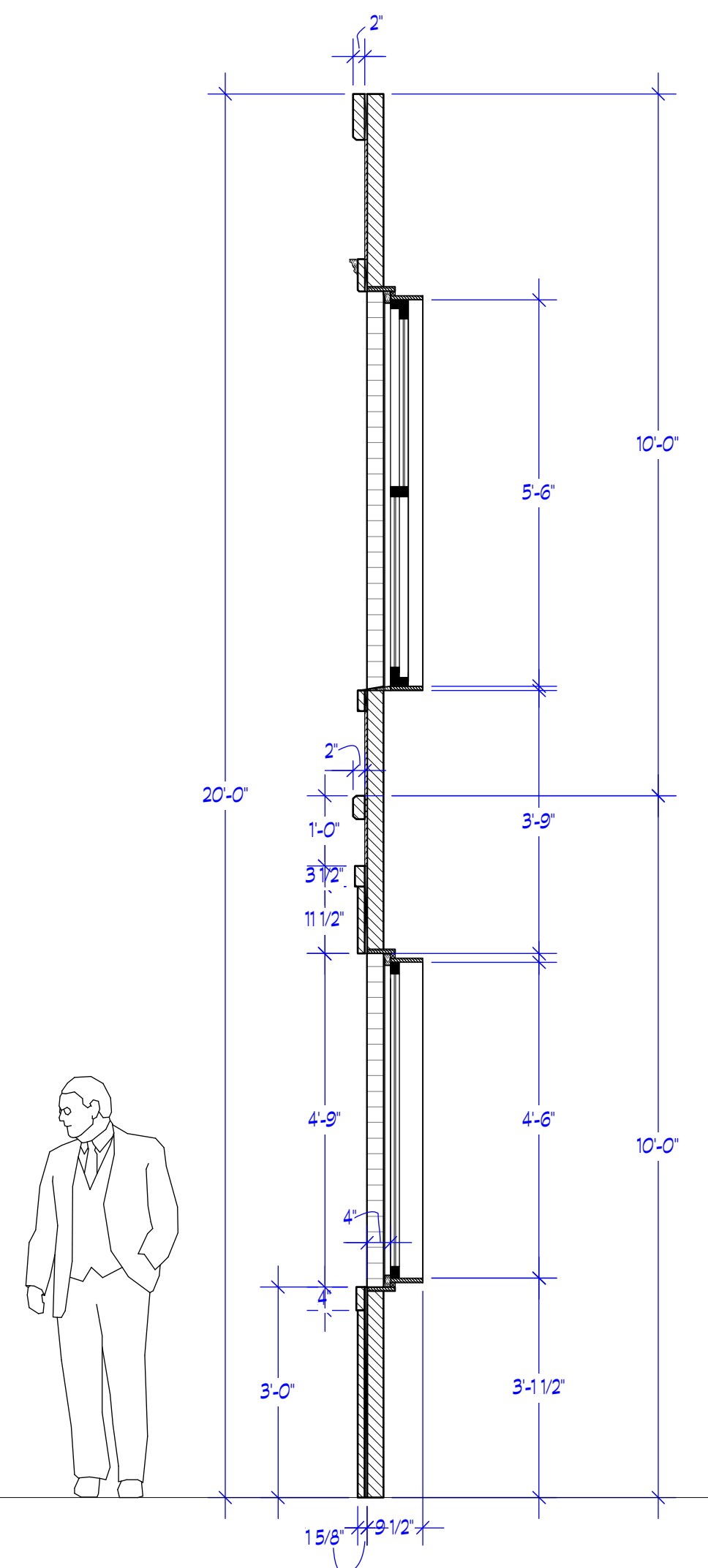
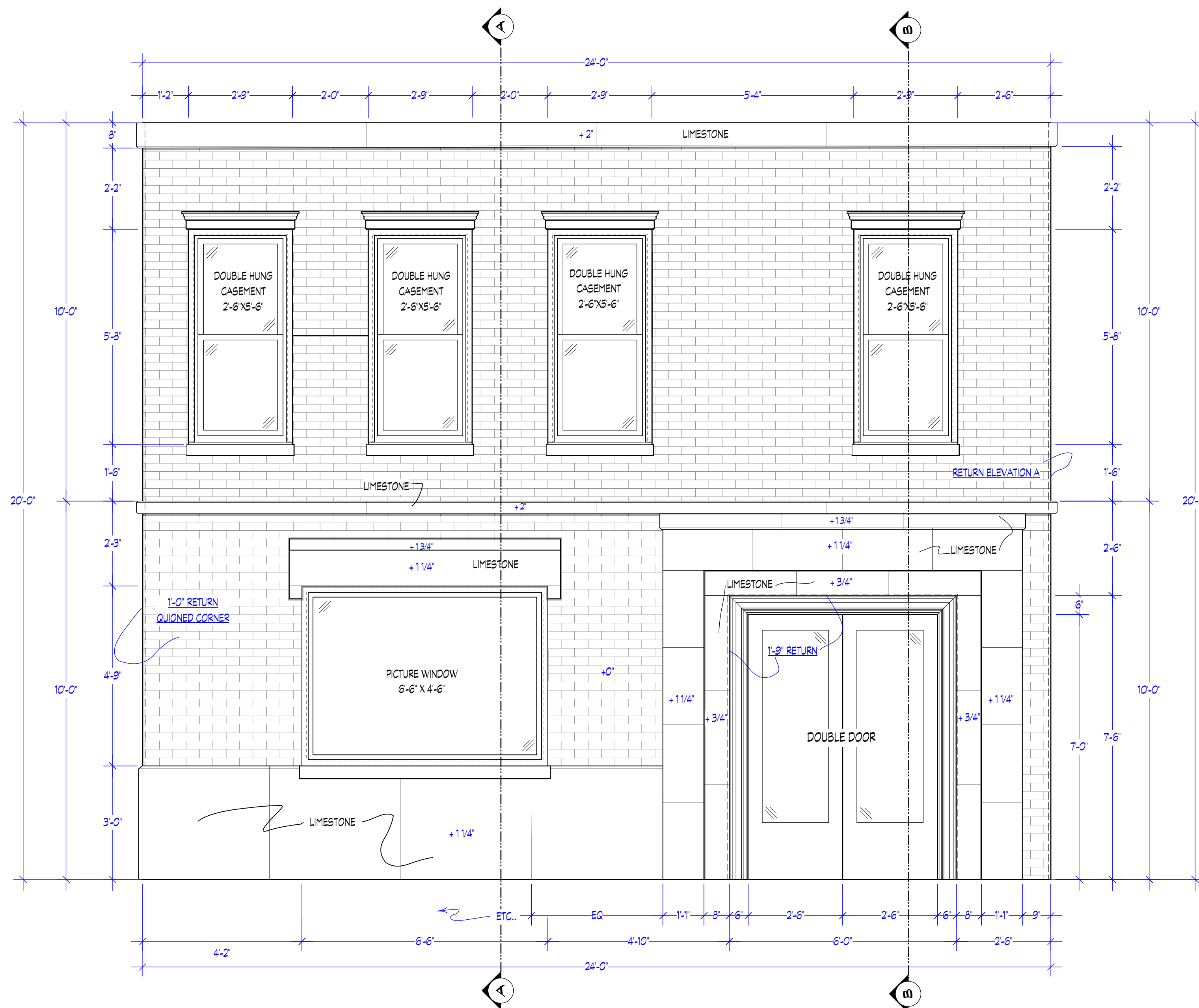
BUILDING AND SCAFFOLD PLAN
Scale: 1/2" = 1'-0"

SCAFFOLD	SCAFFOLD TYPE	S-1	S-2
	QTY	8	10
	TYPE	84" W/ CASTER	60" TALL
	ELEVATION		
	SCAFFOLD SIZE	60 X 84 X 84	34 X 80
	8" CASTERS	32	

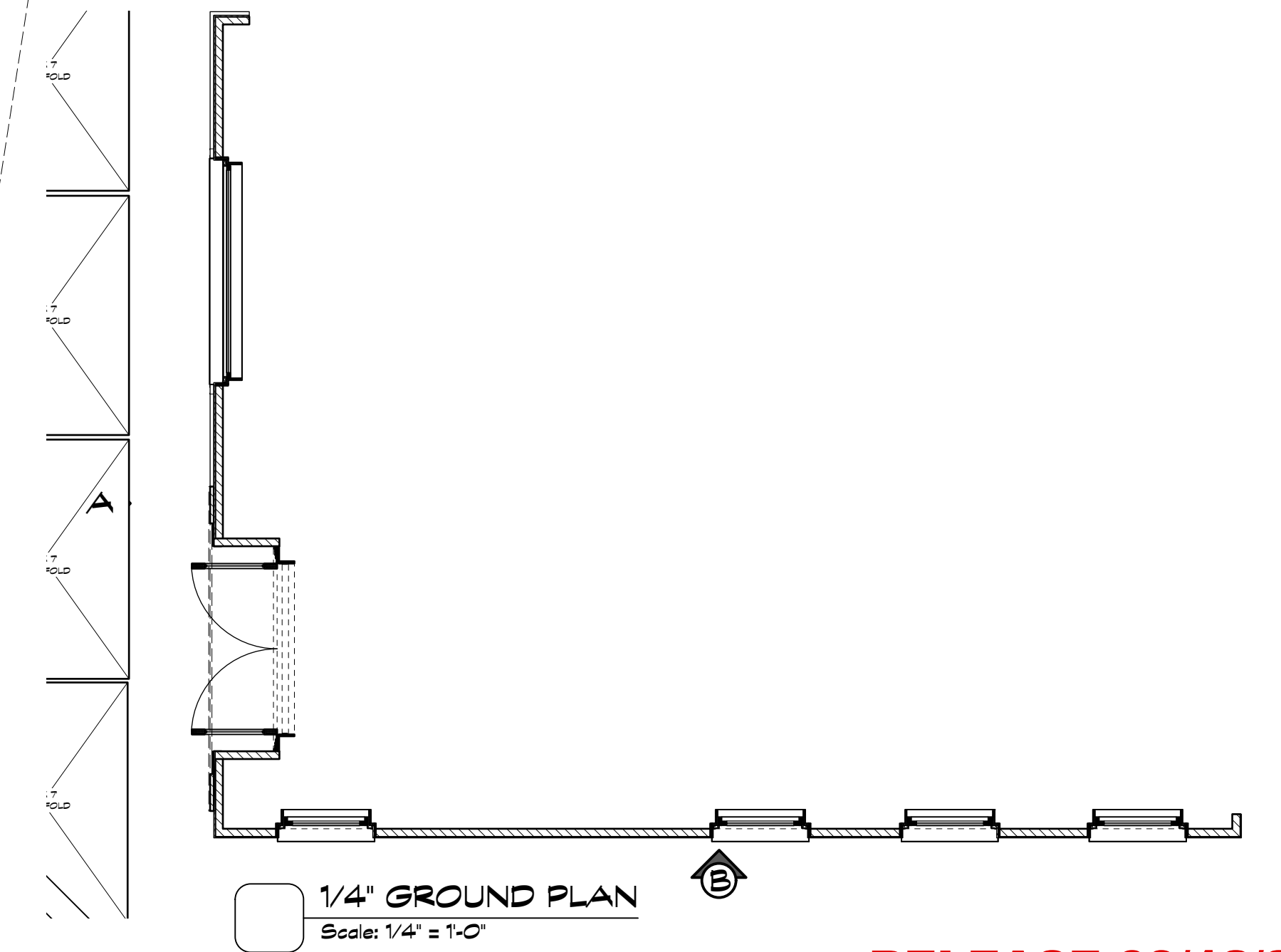
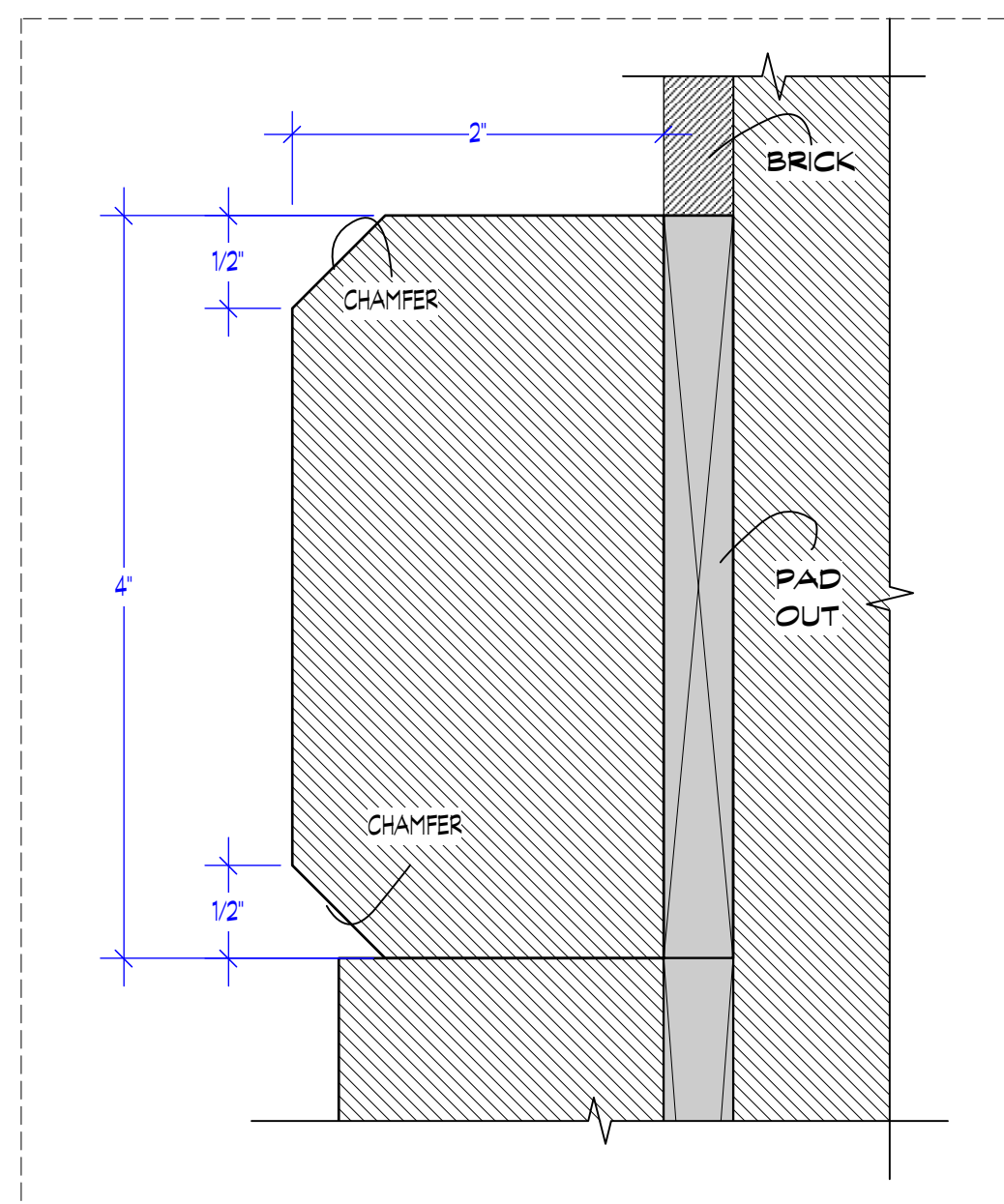
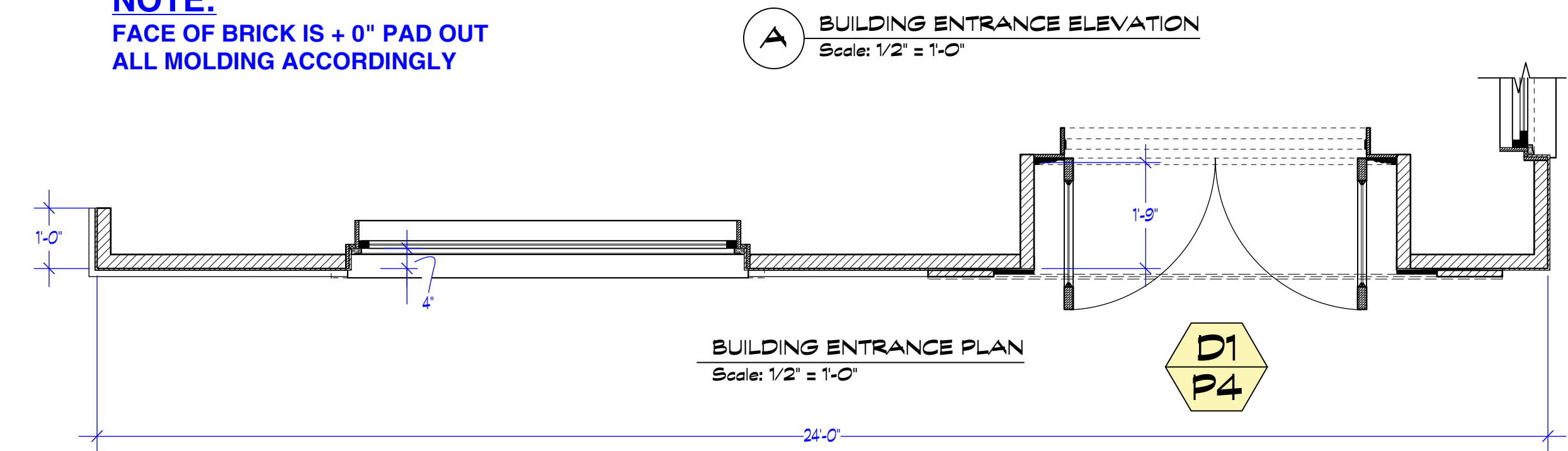
PRELIMINARY 09/15/2017

唐人街探案 2 DETECTIVE CHINATOWN 2	SET: 121 TIME SQUARE FACADE		
	SUBJECT: PLAN PARALLEL TO CURB		
	LOCATION: GOLD COAST STUDIOS		
	PREP: XX.XX.XXXX	SHOOT: XX.XX.XXXX	SHEET NO.
	DATE: 09.13.2017	SCALE: NOTED	1
REVISD: XX.XX.XXXX	DRAWN BY: MARTIN F.	OF: .	



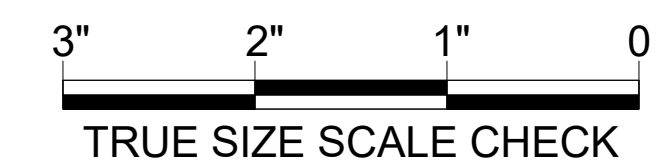


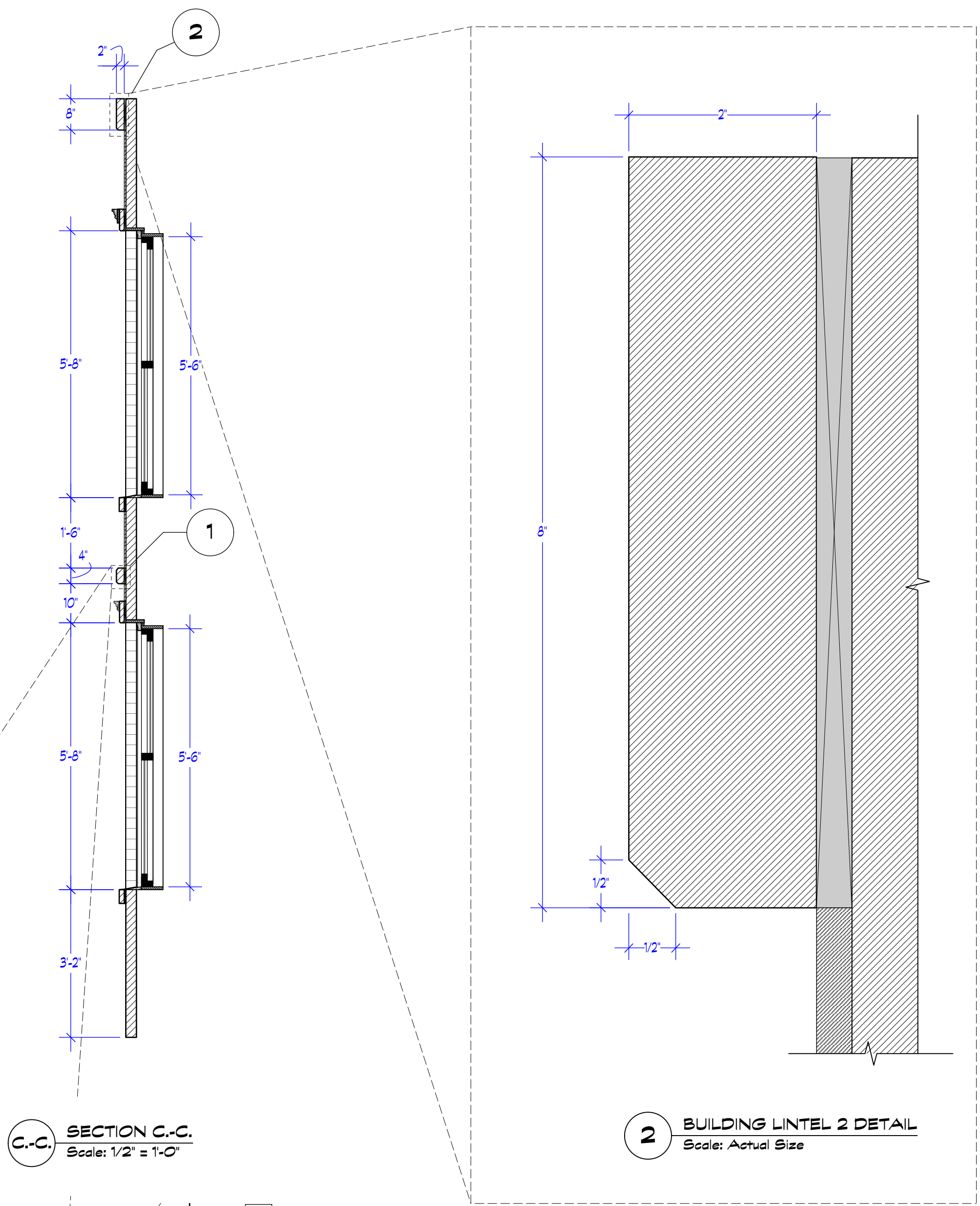
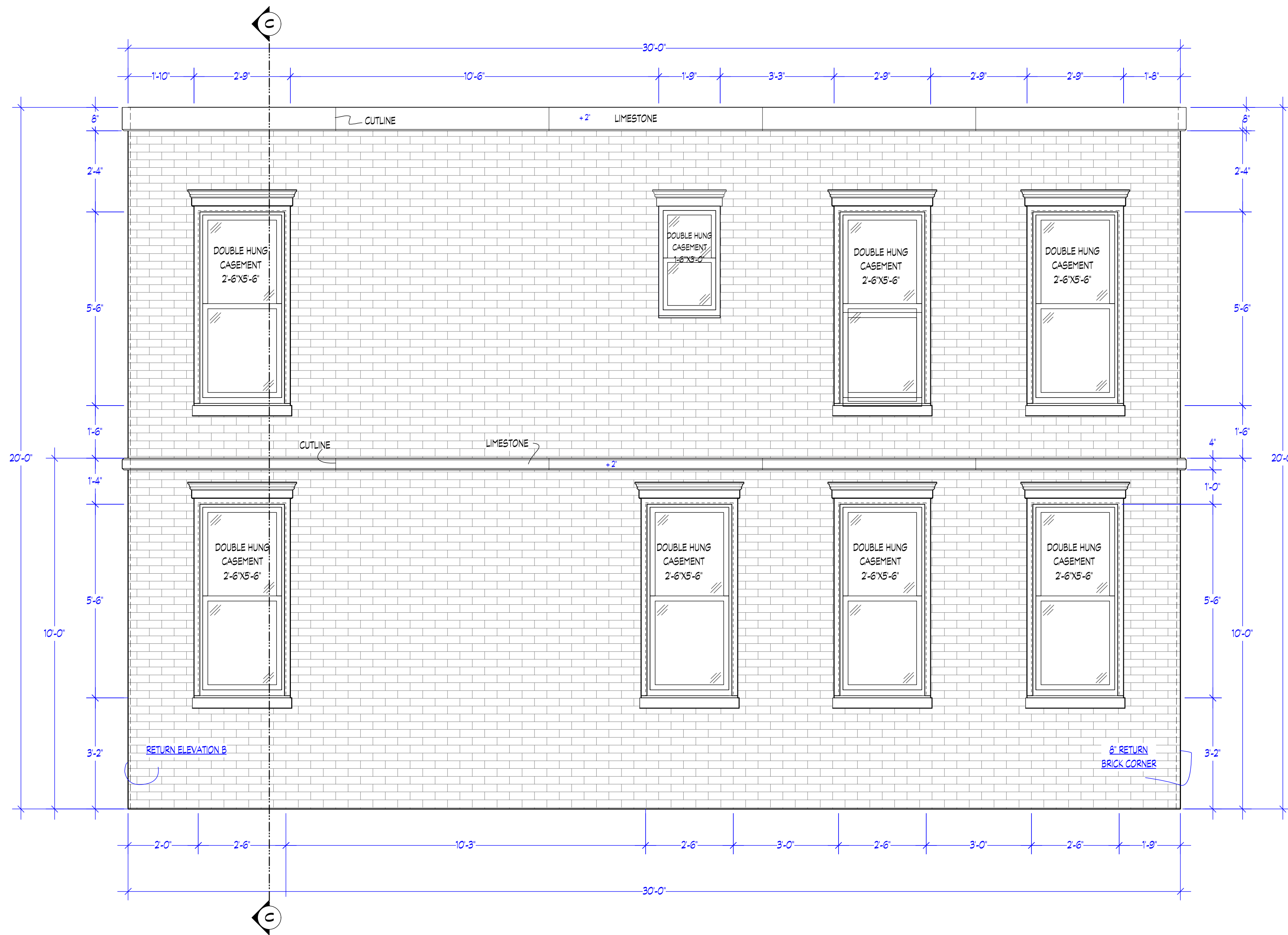
NOTE:
FACE OF BRICK IS + 0" PAD OUT
ALL MOLDING ACCORDINGLY



RELEASE 09/12/2017

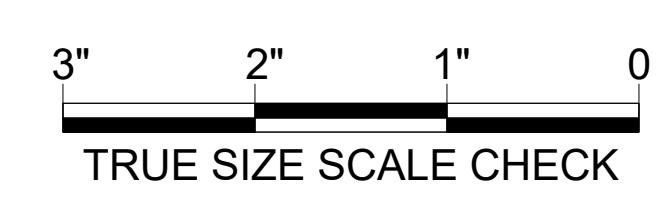
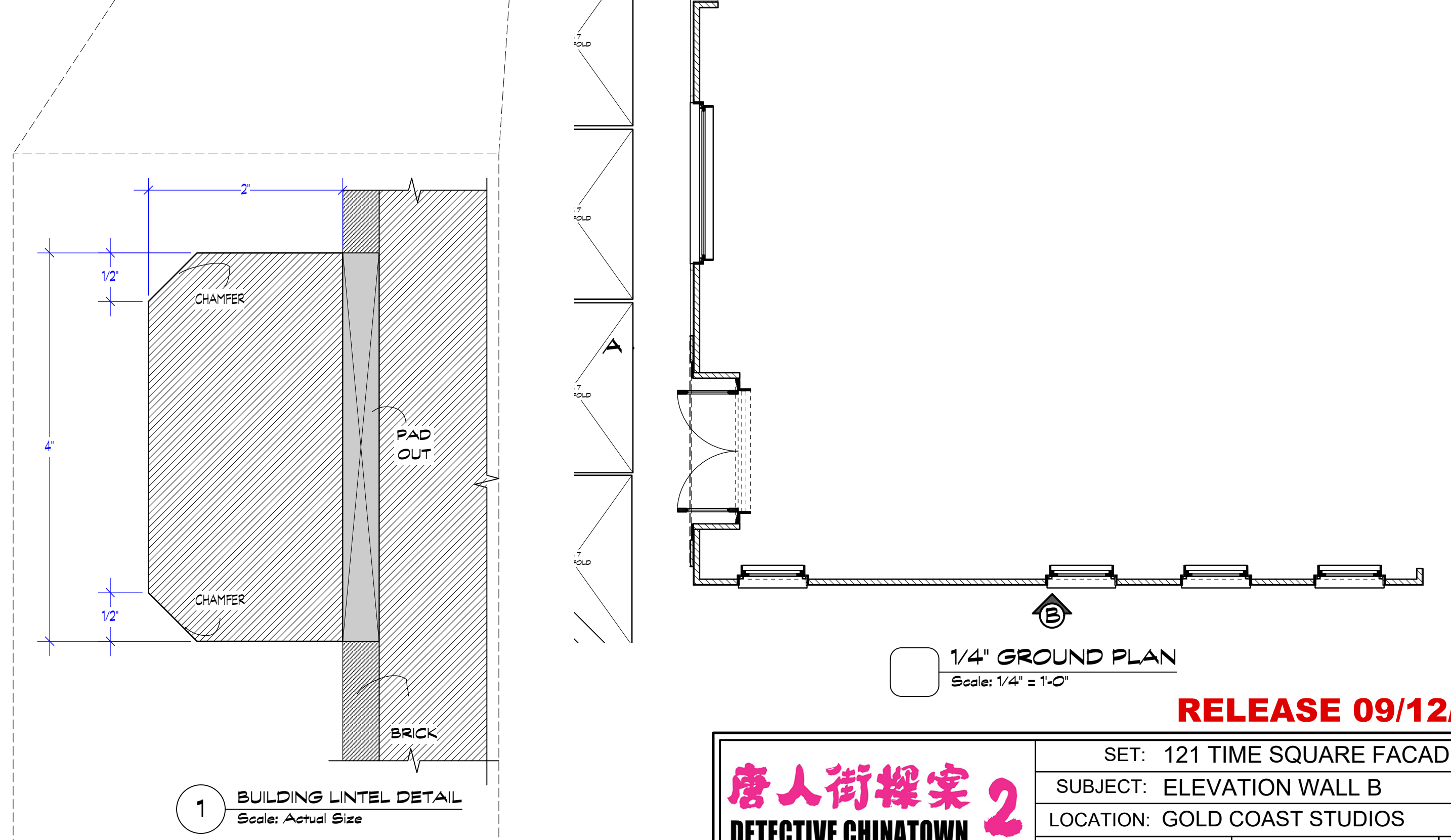
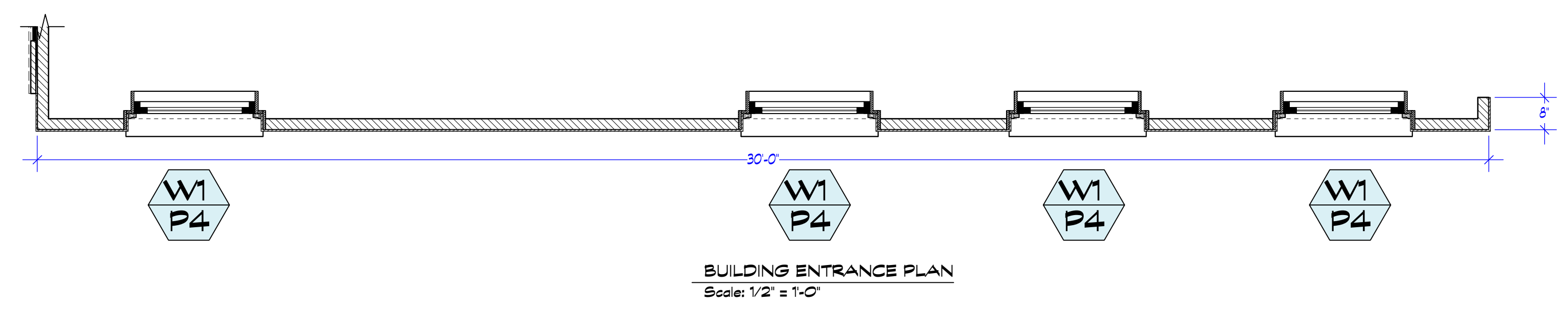
唐人街探案 2 DETECTIVE CHINATOWN	SET: 121 TIME SQUARE FACADE		
	SUBJECT: ELEVATION WALL A		
	LOCATION: GOLD COAST STUDIOS		
	PREP: XX.XX.XXXX	SHOOT: XX.XX.XXXX	SHEET NO. 2
PRODUCTION DESIGNER: LI MIAO		DATE: 09.08.2017	SCALE: 1/2"=1'-0"
ART DIRECTOR: PATRICK HOWE		REVISED: XX.XX.XXXX	DRAWN BY: MARTIN F.





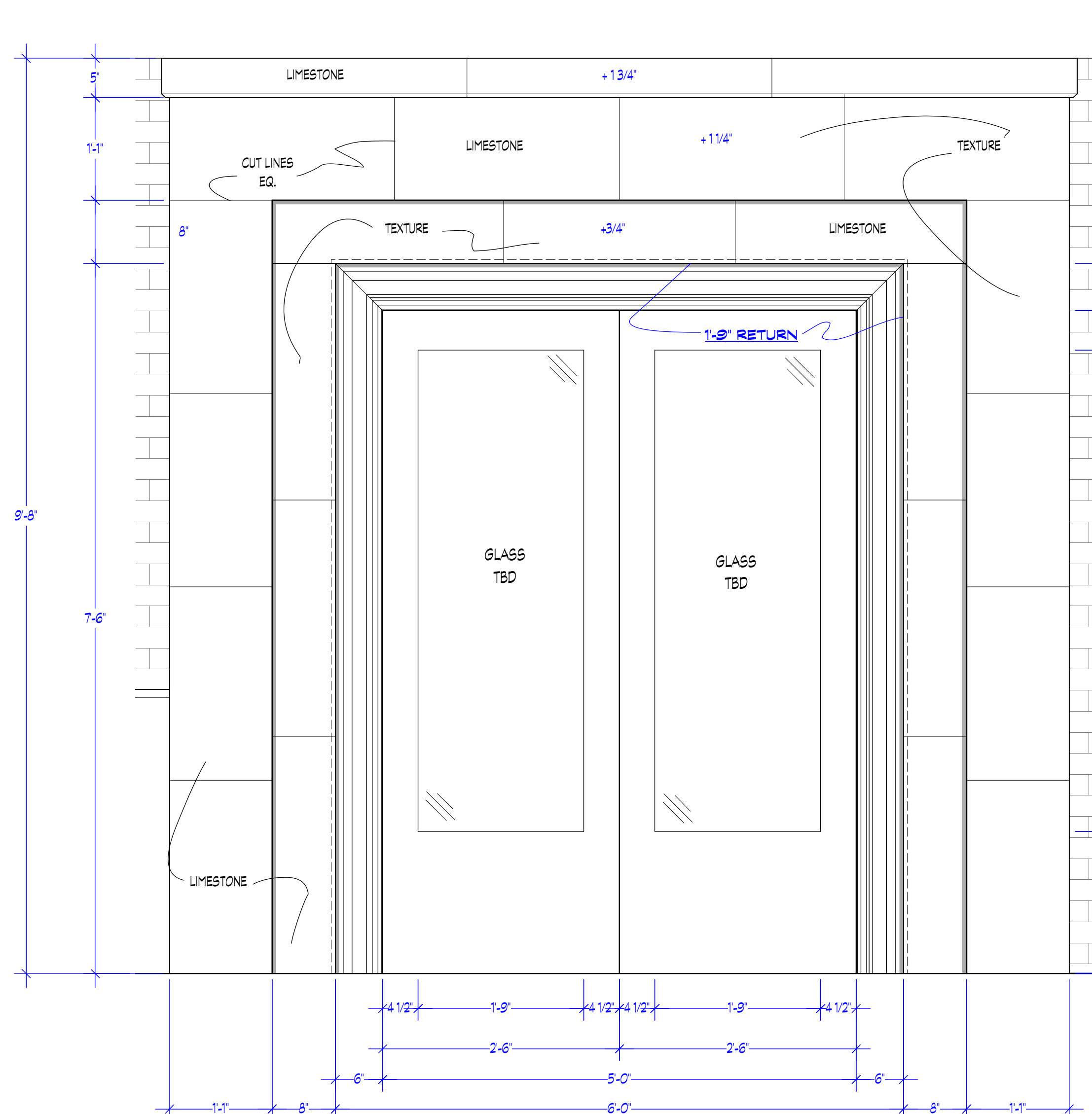
B BUILDING ENTRANCE ELEVATION
Scale: 1/2" = 1'-0"

NOTE:
FACE OF BRICK IS + 0" PAD OUT
ALL MOLDING ACCORDINGLY

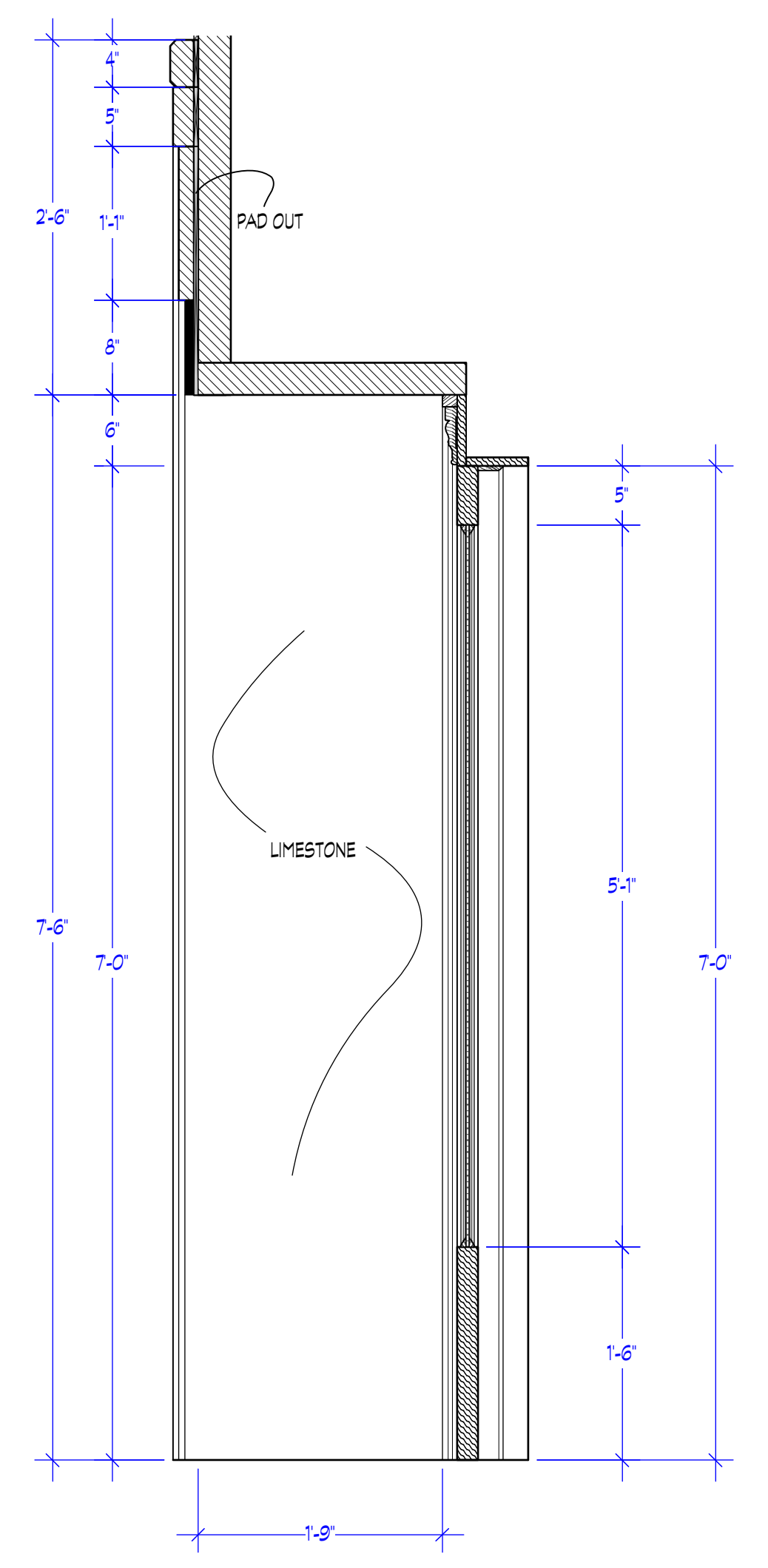


RELEASE 09/12/2017

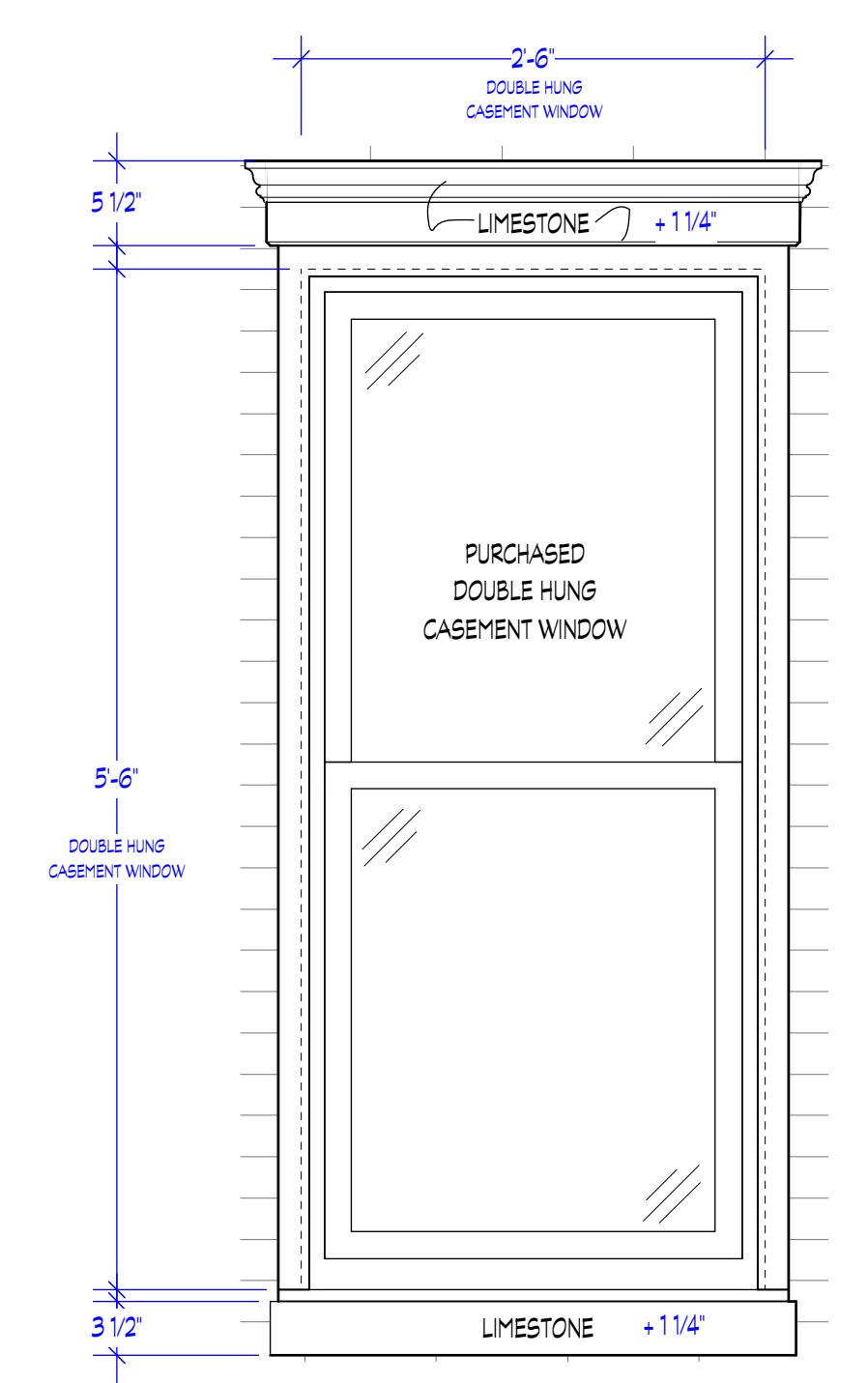
唐人街探案 2 DETECTIVE CHINATOWN	SET: 121 TIME SQUARE FACADE		
	SUBJECT: ELEVATION WALL B		
	LOCATION: GOLD COAST STUDIOS		
	PREP: XX.XX.XXXX	SHOOT: XX.XX.XXXX	SHEET NO.
DATE: 09.07.2017	SCALE: 1/2"=1'-0"	3	
REVISED: XX.XX.XXXX	DRAWN BY: MARTIN F.	OF: 4	



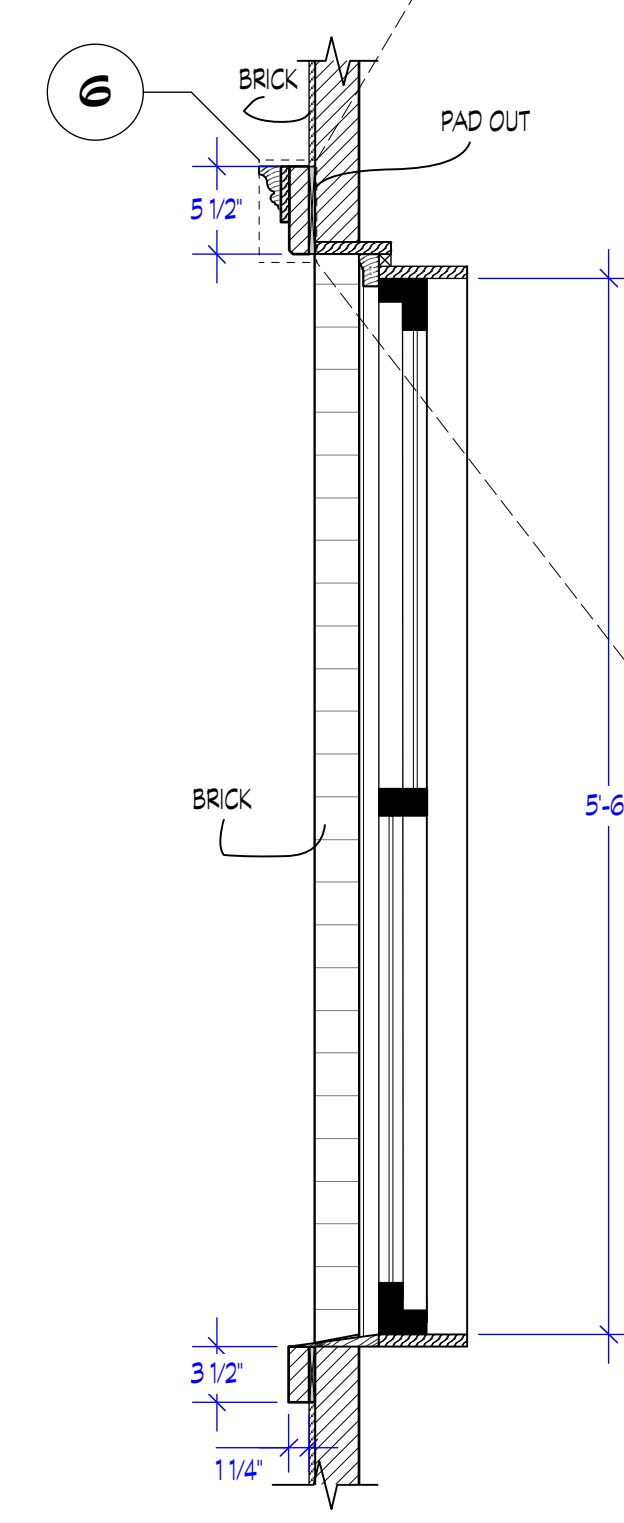
D1 DOOR DETAILS
Scale: 1" = 1'-0"



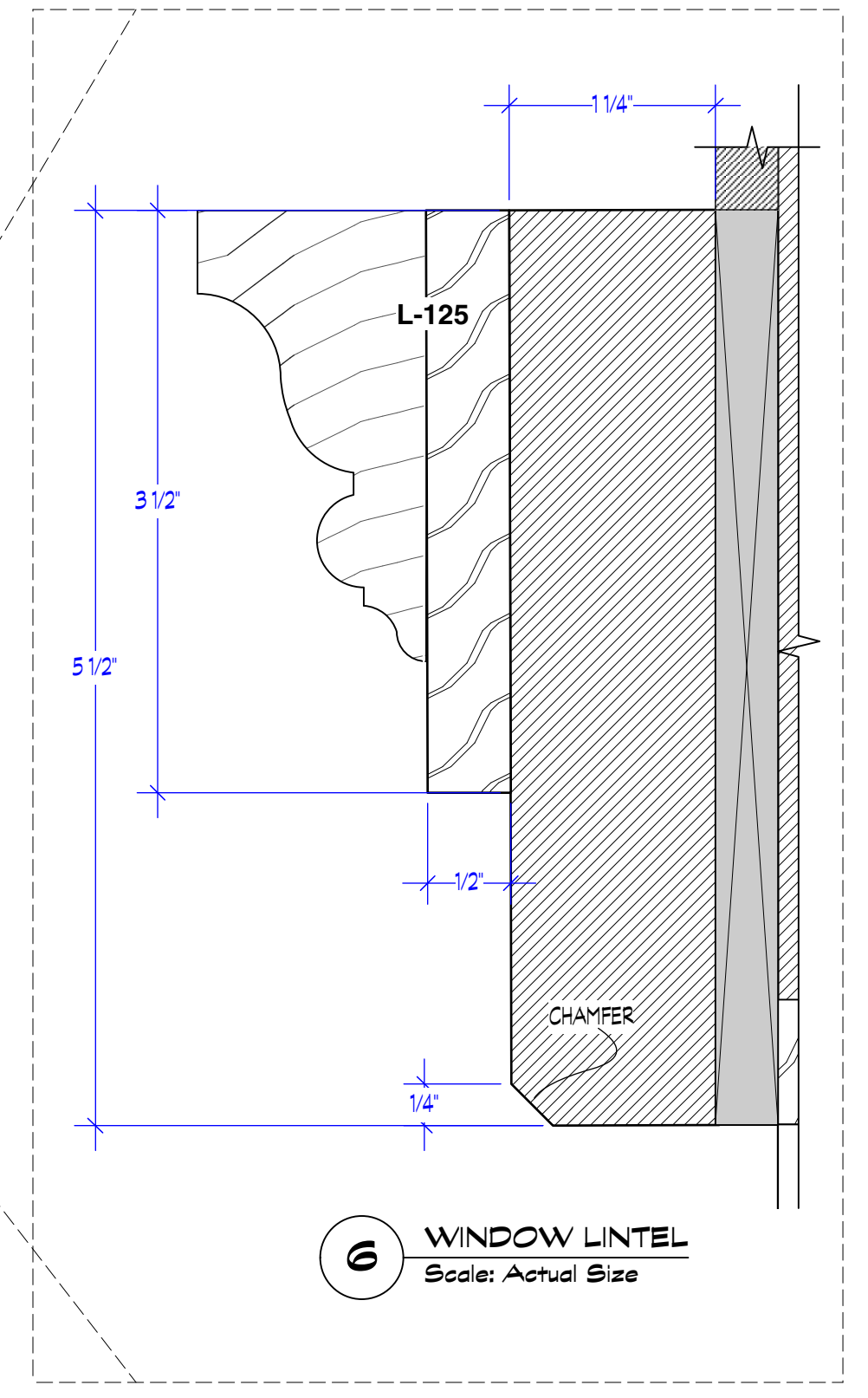
D1 DOOR SECTION
Scale: 1" = 1'-0"



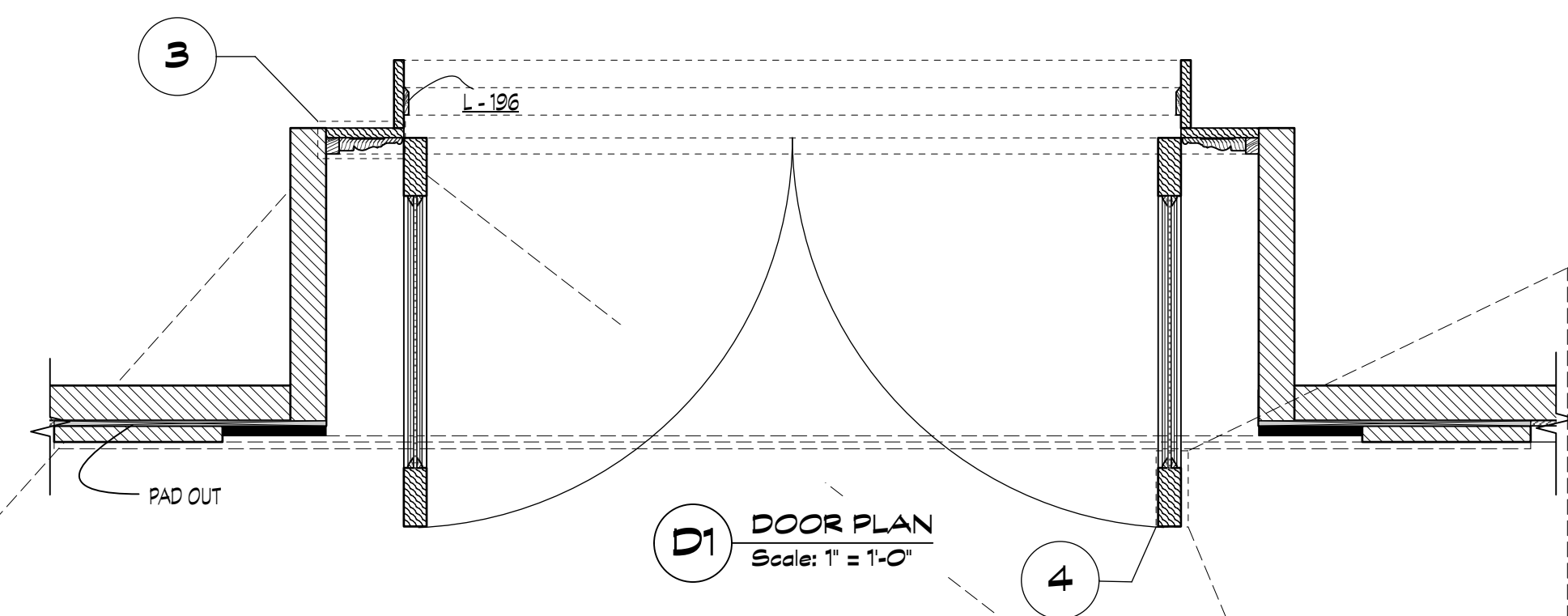
W1 WINDOW DETAILS
Scale: 1" = 1'-0"



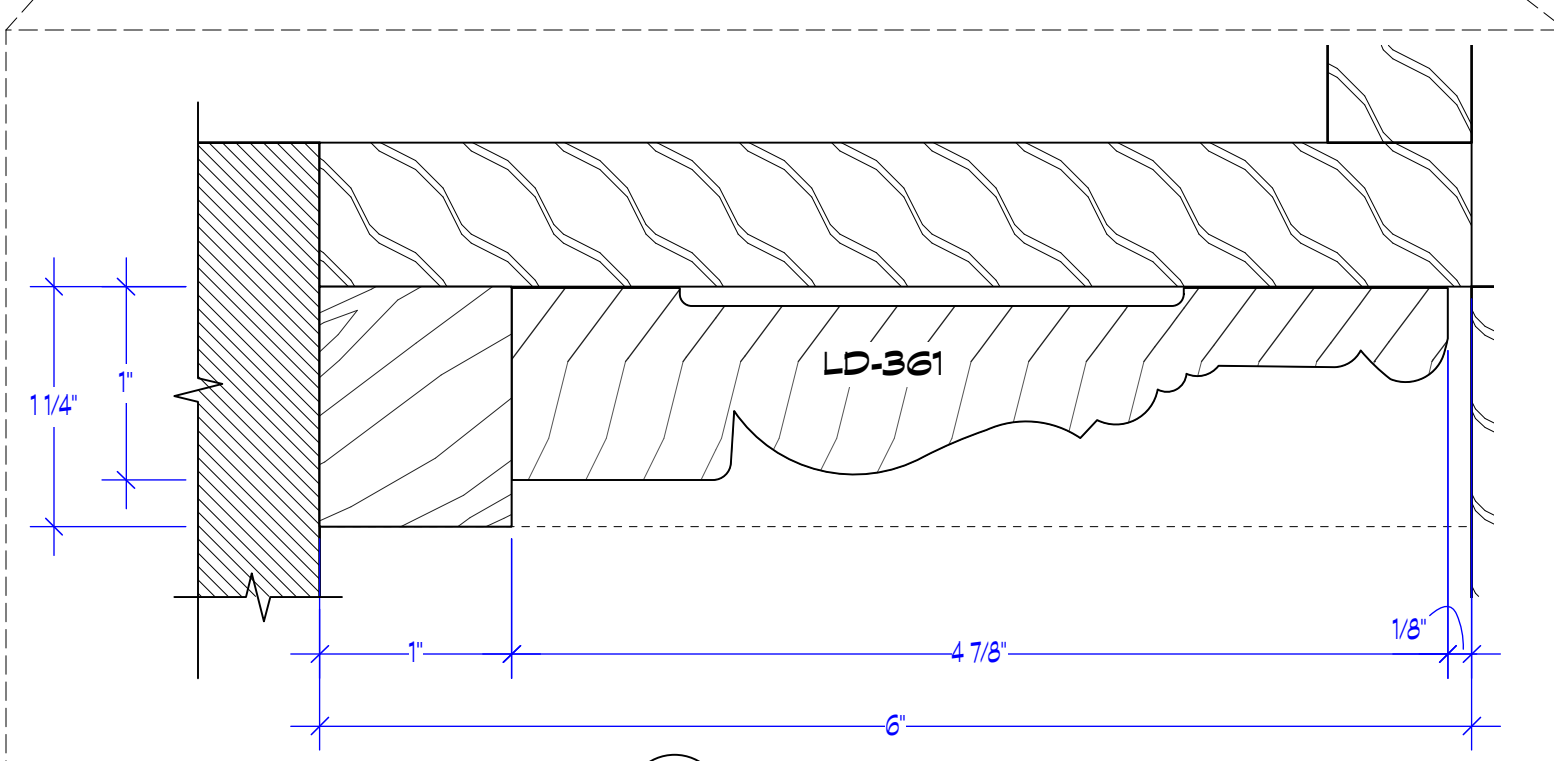
W1 WINDOW SECTION
Scale: 1" = 1'-0"



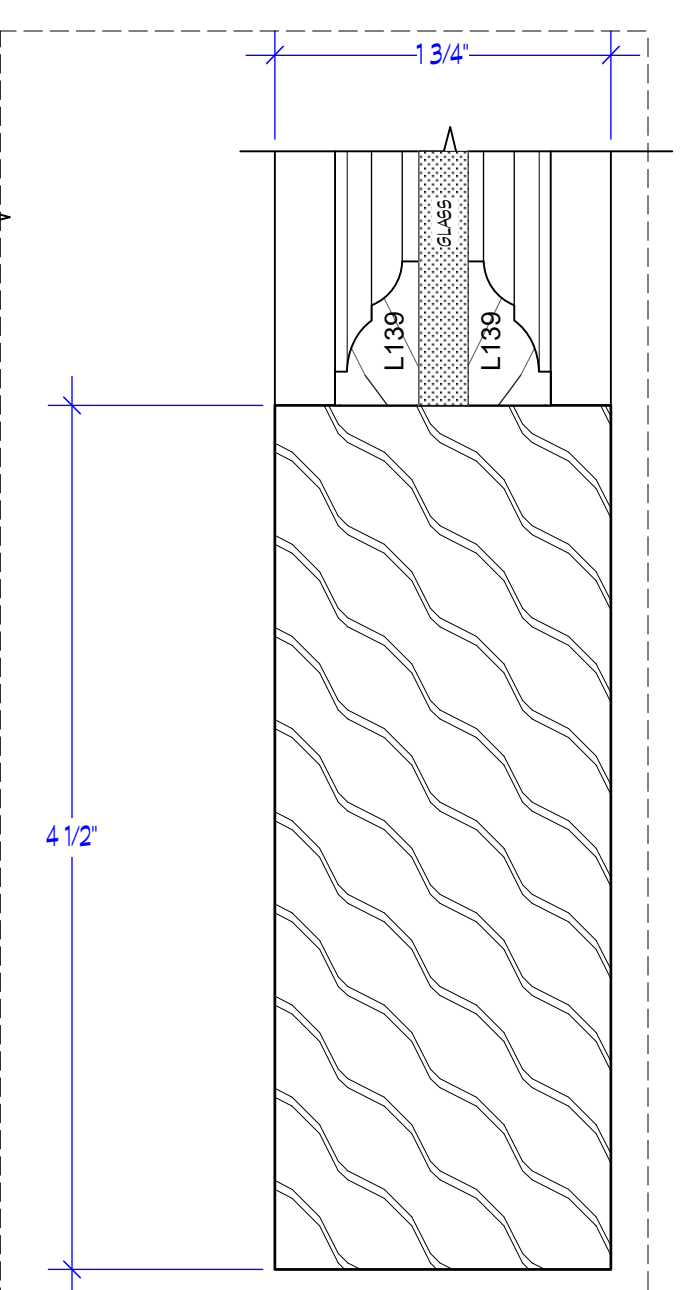
6 WINDOW LINTEL
Scale: Actual Size



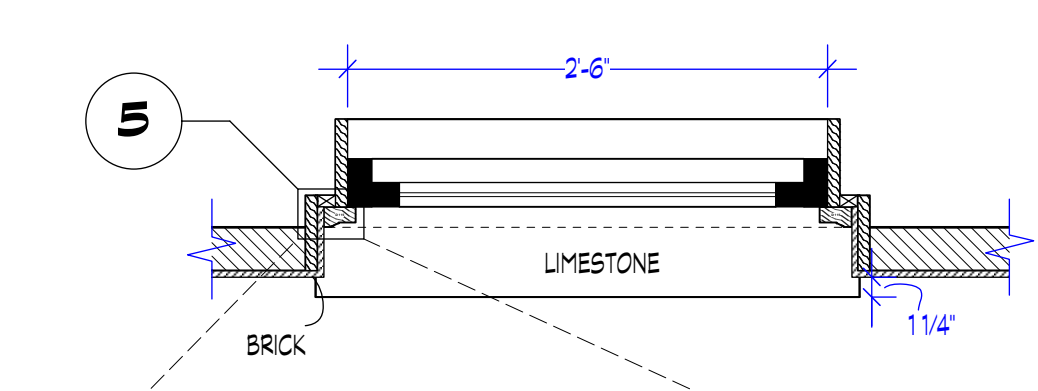
D1 DOOR PLAN
Scale: 1" = 1'-0"



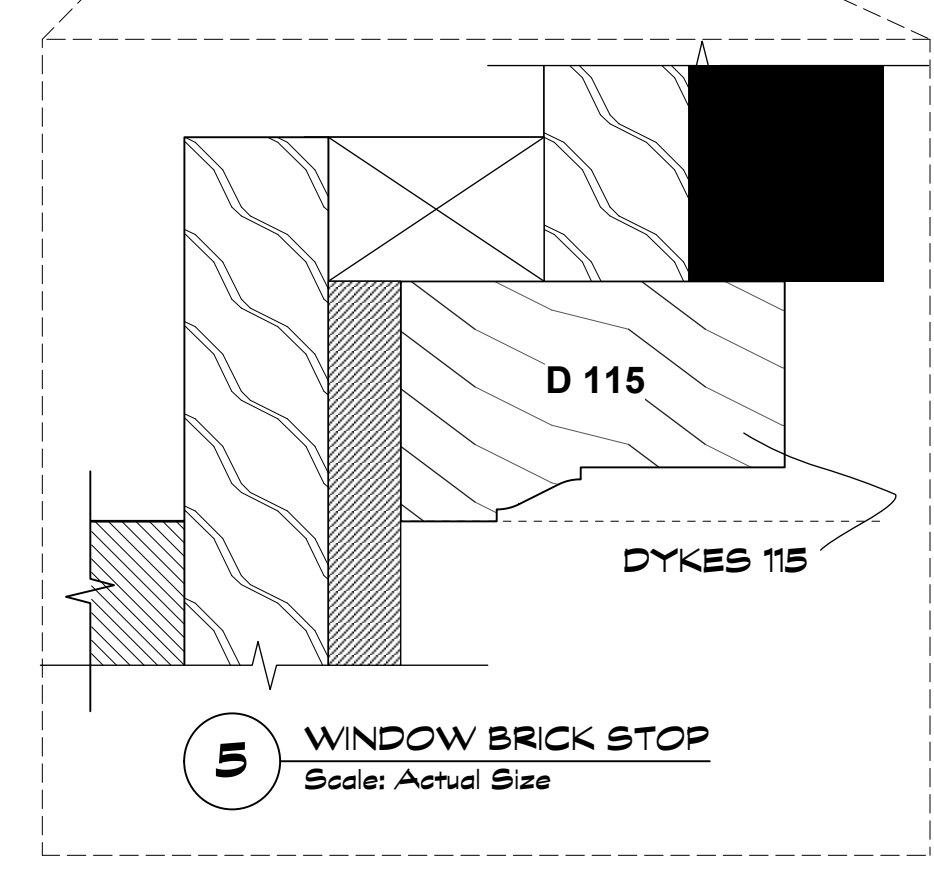
3 DOOR CASING DETAIL
Scale: Actual Size



4 DOOR GLASS TRIM
Scale: Actual Size



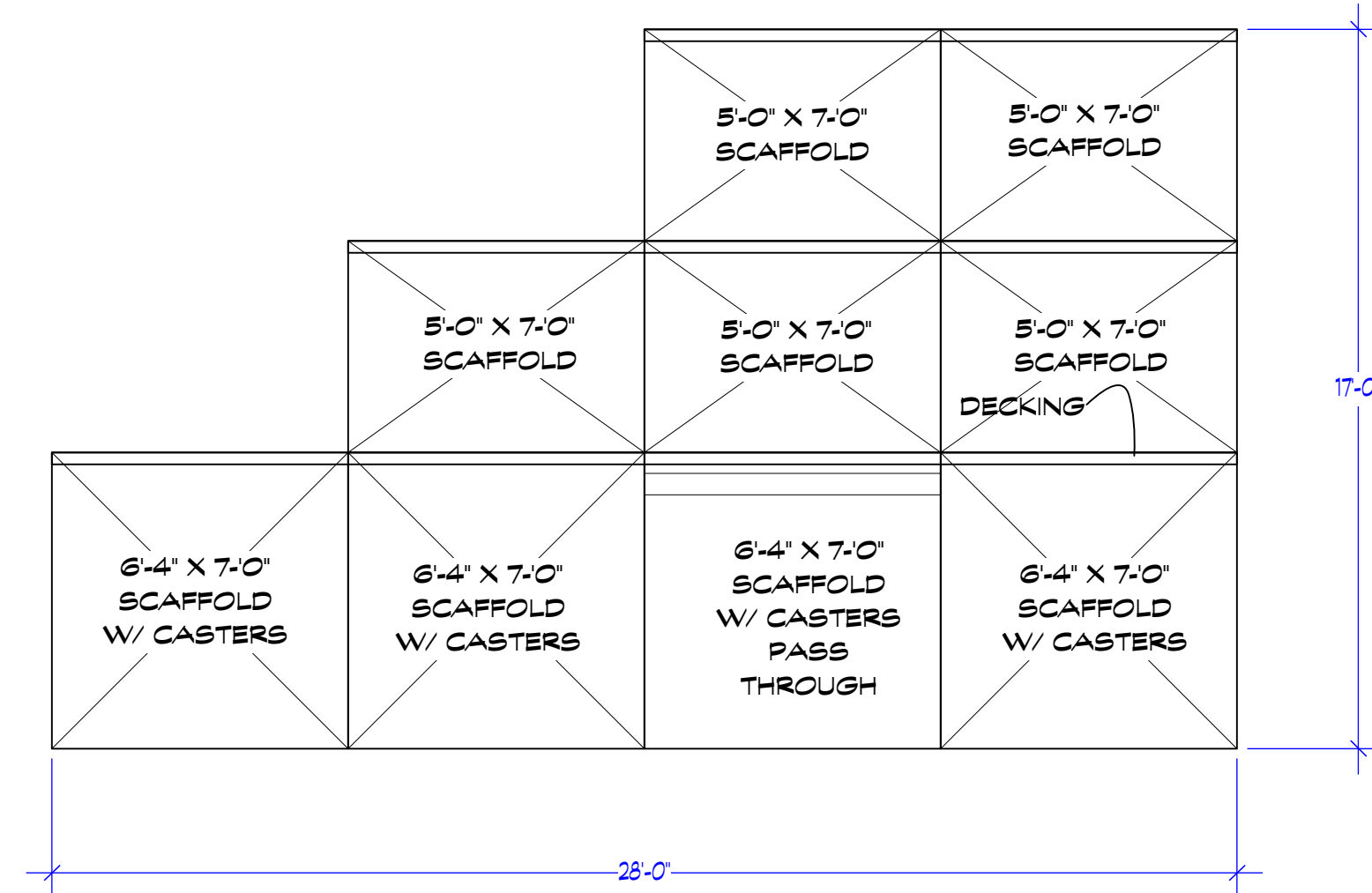
5 WINDOW BRICK STOP
Scale: Actual Size



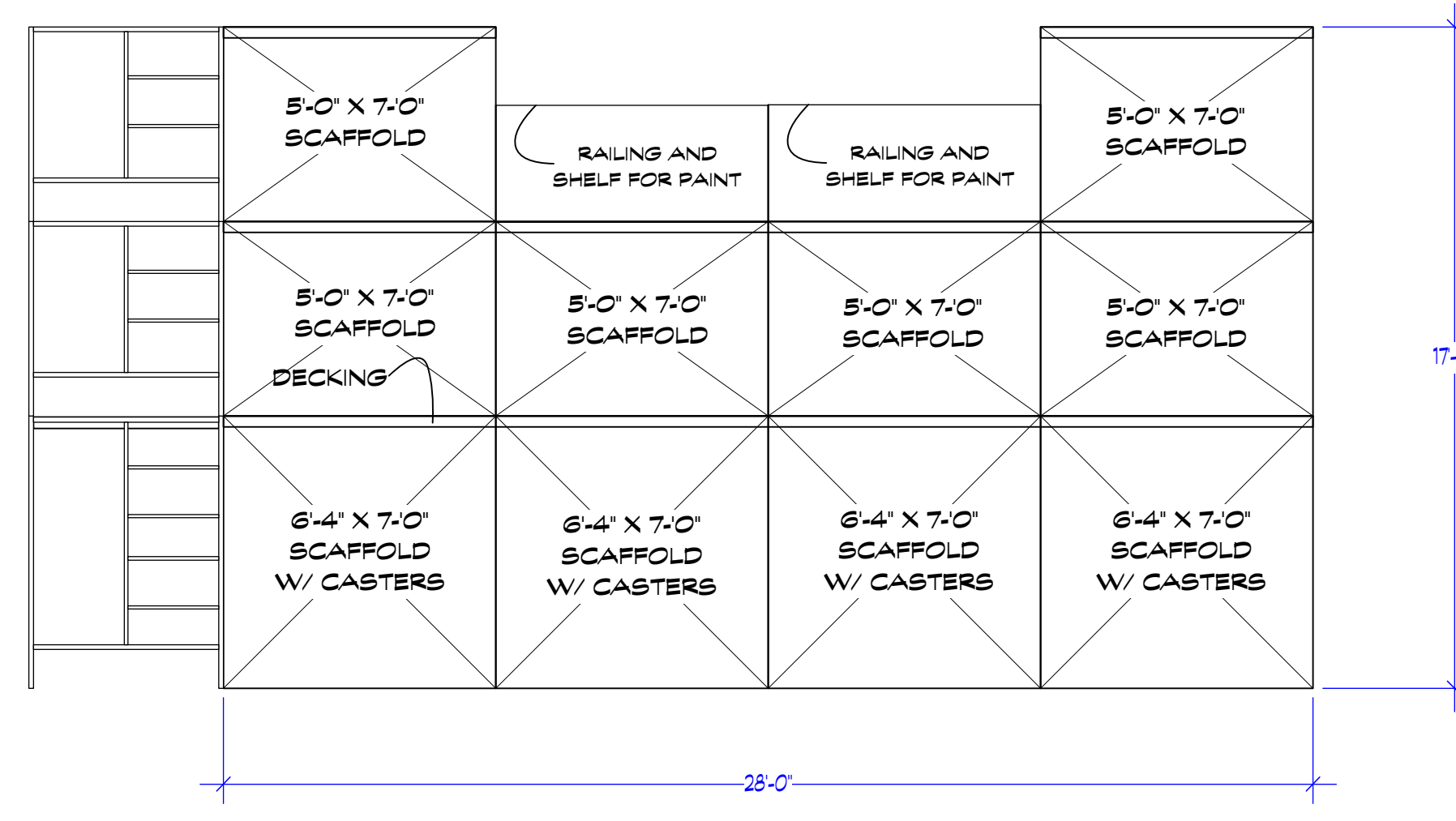
3" 2" 1" 0"
TRUE SIZE SCALE CHECK

RELEASE 09/12/2017

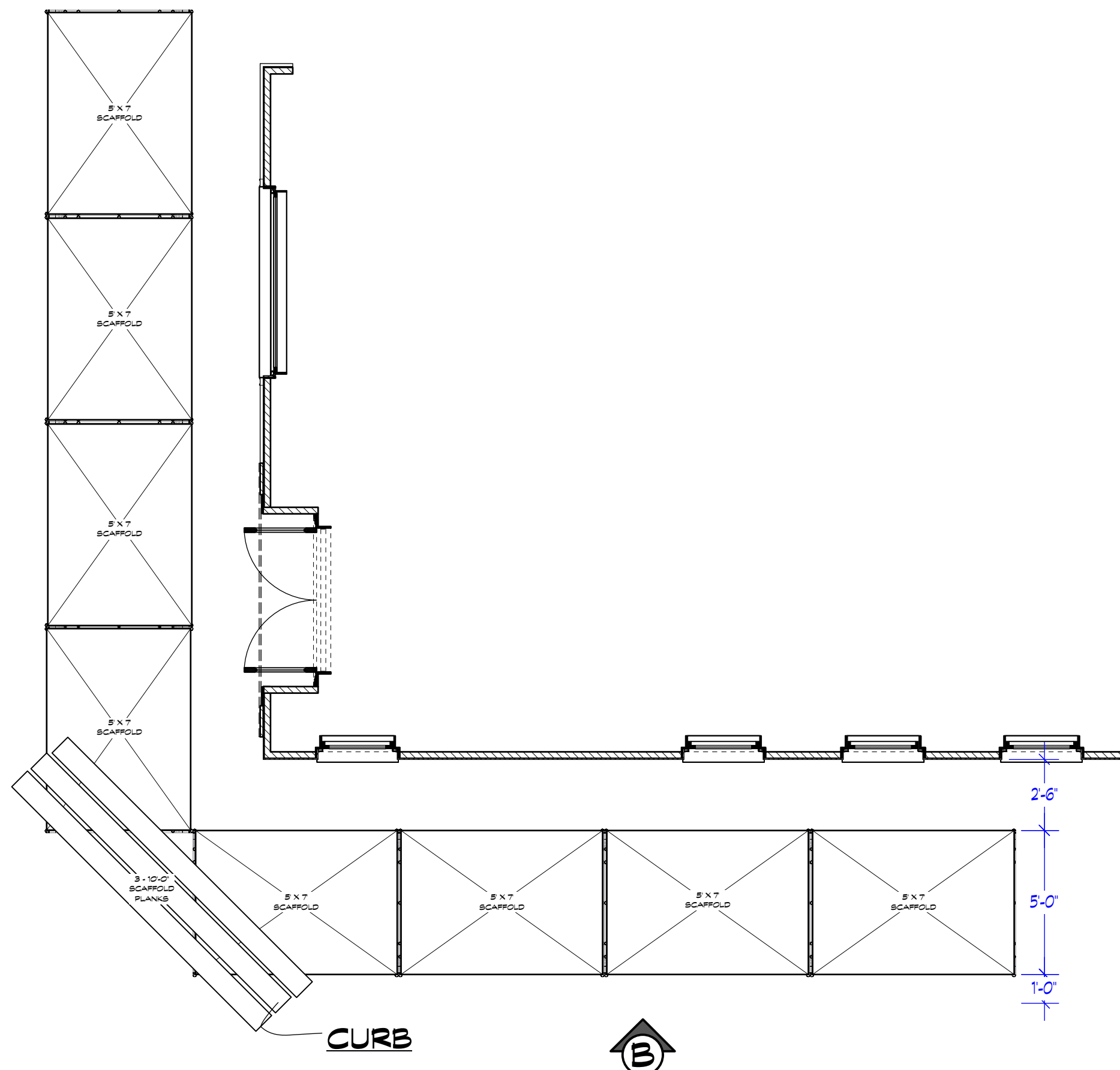
<p>唐人街探案 2 DETECTIVE CHINATOWN</p>	SET: 121 TIME SQUARE FACADE		
	SUBJECT: DOOR AND WINDOW DETAILS		
	LOCATION: GOLD COAST STUDIOS		
	PREP: XX.XX.XXXX	SHOOT: XX.XX.XXXX	SHEET NO.
DATE: 09.12.2017		SCALE: NOTED	4
REVISED: XX.XX.XXXX		DRAWN BY: MARTIN F.	OF: 4
PRODUCTION DESIGNER: LI MIAO ART DIRECTOR: PATRICK HOWE			



A SCAFFOLD LAYOUT A
Scale: 1/4" = 1'-0"



B SCAFFOLD LAYOUT B
Scale: 1/4" = 1'-0"



SCAFFOLD PLAN
Scale: 1/4" = 1'-0"

SCAFFOLD	SCAFFOLD TYPE	S-1	S-2
	QTY	8	10
	TYPE	84" W/ CASTER	60" TALL
	ELEVATION		
	SCAFFOLD SIZE	60 X 84 X 84	34 X 80
	8" CASTERS	32	

PRELIMINARY 09/13/2017

唐人街探案 2 DETECTIVE CHINATOWN	SET: 121 TIME SQUARE FACADE		
	SUBJECT: PLAN		
	LOCATION: GOLD COAST STUDIOS		
	PREP: XX.XX.XXXX	SHOOT: XX.XX.XXXX	SHEET NO.
	DATE: 09.06.2017	SCALE: 1/4"=1'-0"	5
REVISD: XX.XX.XXXX	DRAWN BY: MARTIN F.	OF: X	

