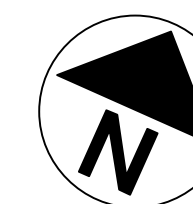
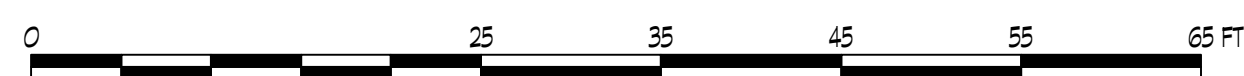
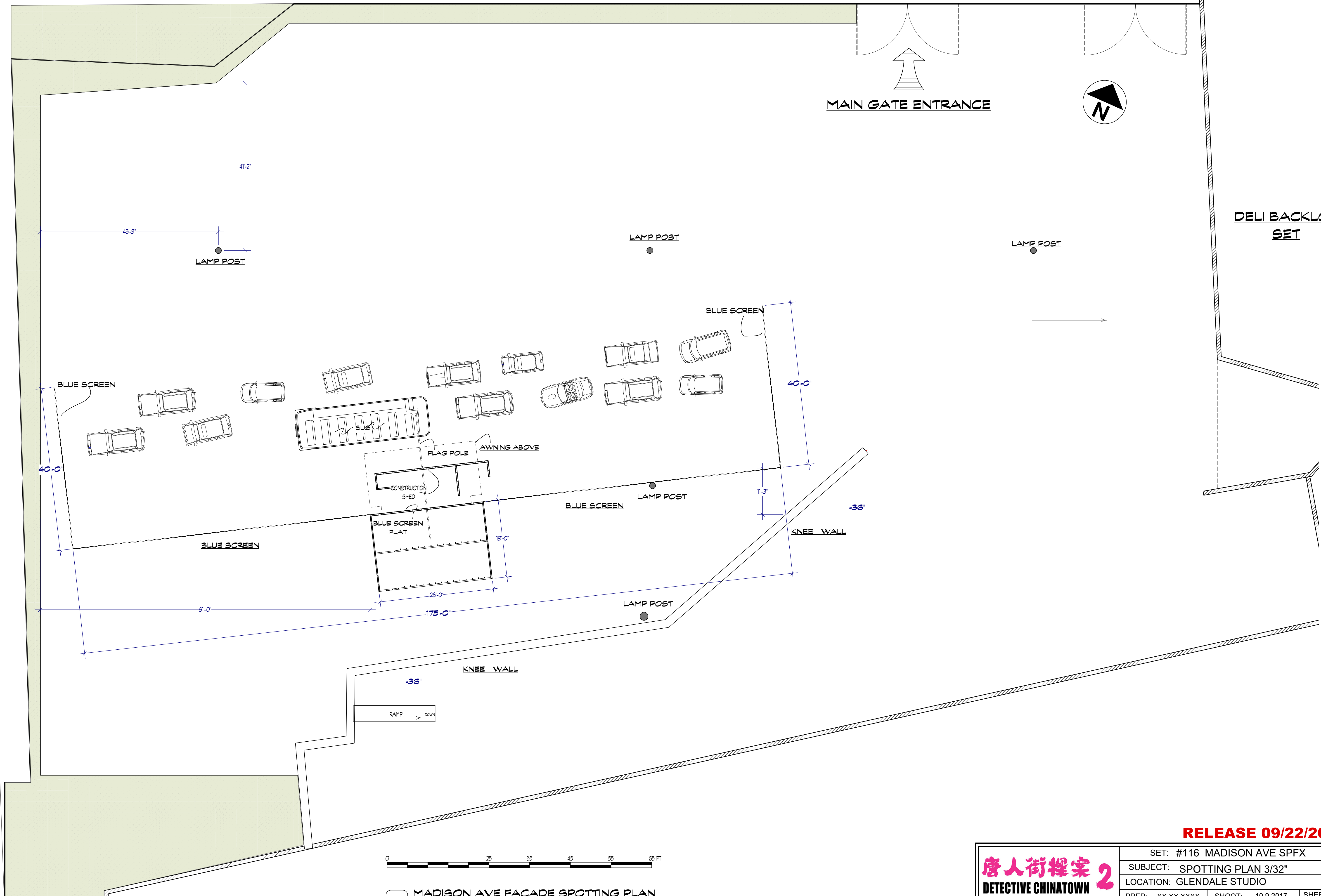


COOPER AVE.

MAIN GATE ENTRANCE



DELI BACKLOT SET



MADISON AVE FACADE SPOTTING PLAN
Scale: 3/32" = 1'-0"

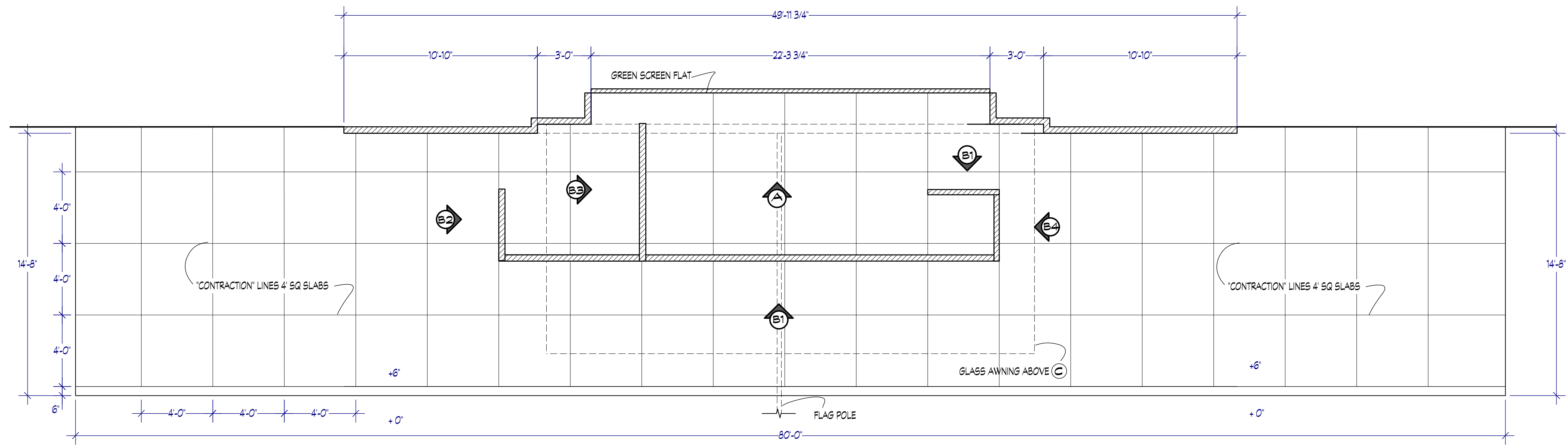
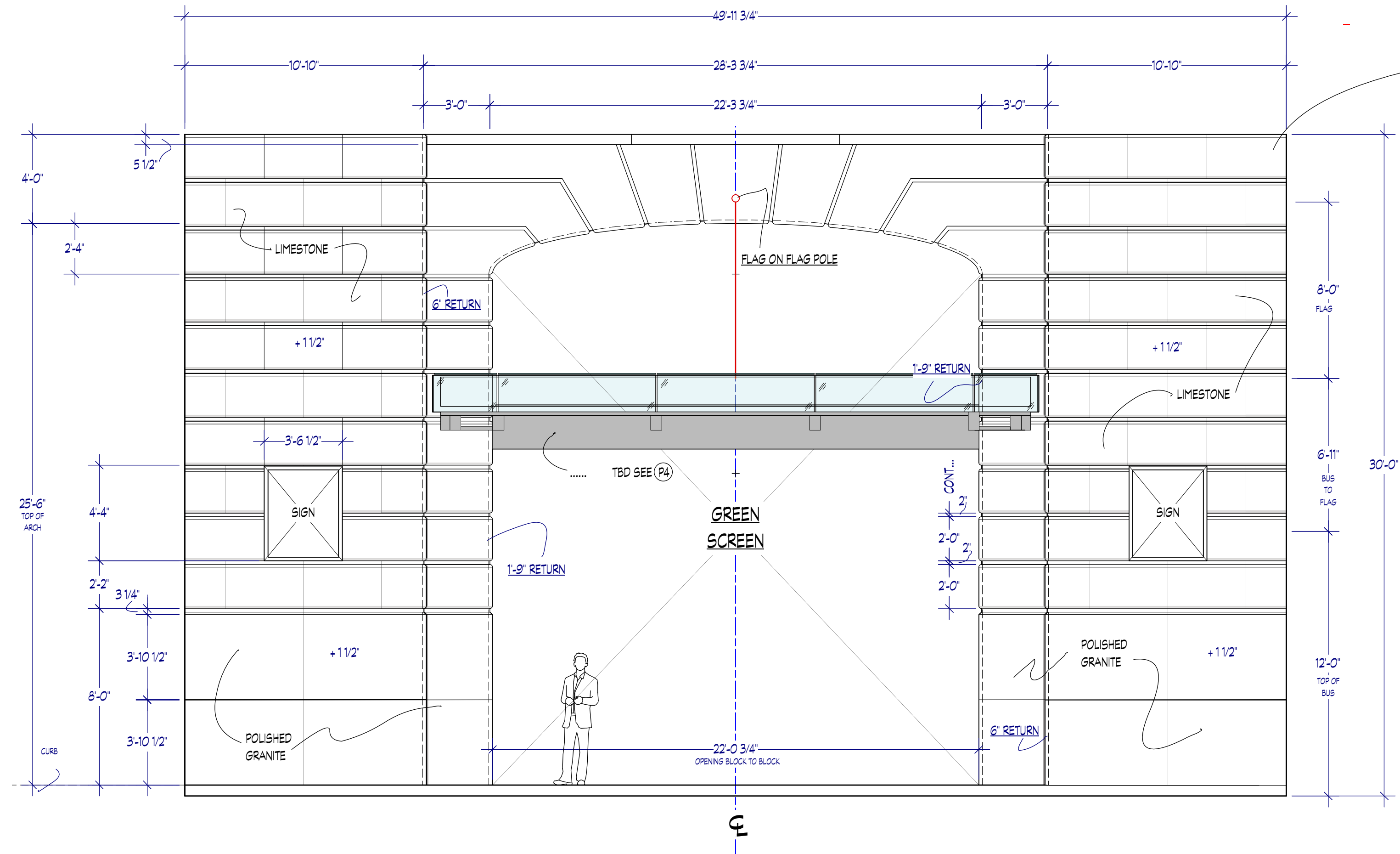
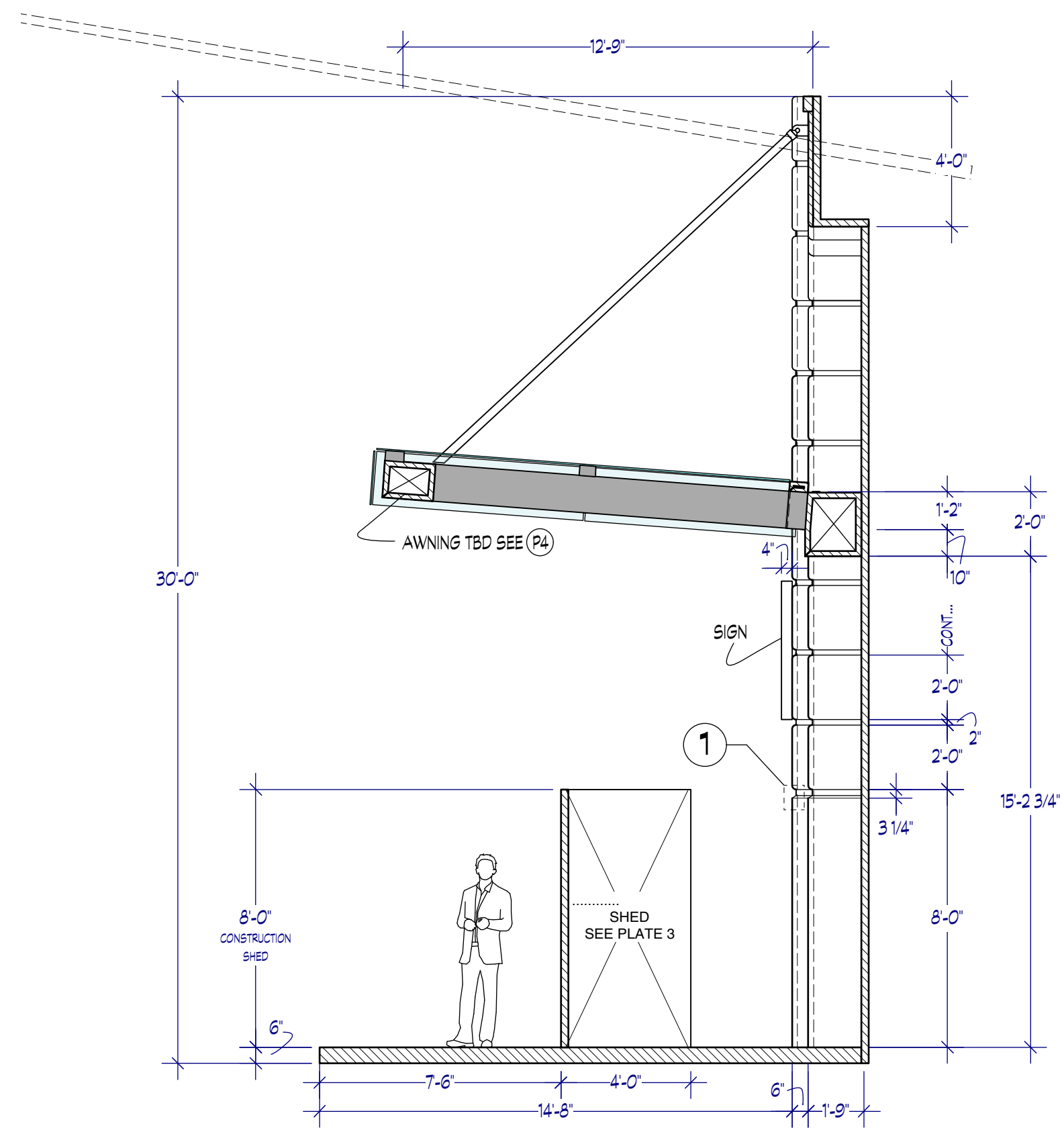
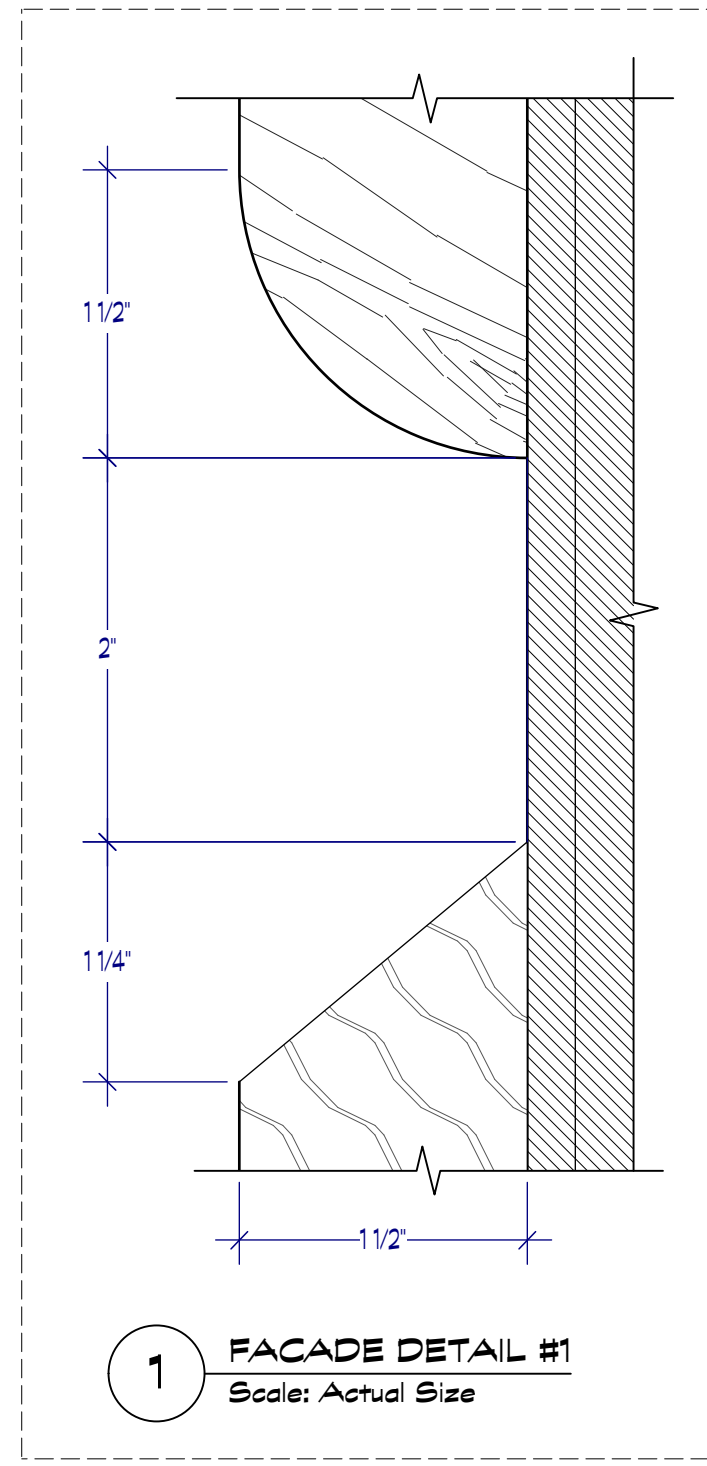


TRUE SIZE SCALE CHECK

RELEASE 09/22/2017

<p>唐人街探案 2 DETECTIVE CHINATOWN</p> <p>PRODUCTION DESIGNER: ART DIRECTOR:</p>	SET: #116 MADISON AVE SPFX		SHEET NO. 1B OF: 6
	SUBJECT: SPOTTING PLAN 3/32"		
	LOCATION: GLENDALE STUDIO		
	PREP: XX.XX.XXXX	SHOOT: 10.9.2017	
DATE: 09.20.2017	SCALE: 3/32"=1'-0"		
REVISED: XX.XX.XXXX	DRAWN BY: MARTIN F.		

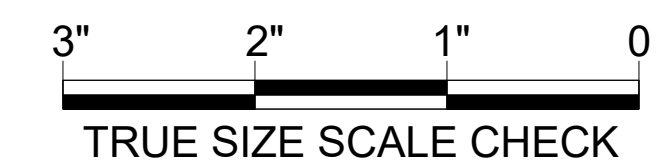
**FACADE FACING DETAIL
ON PLATE 3 DETAIL 2**

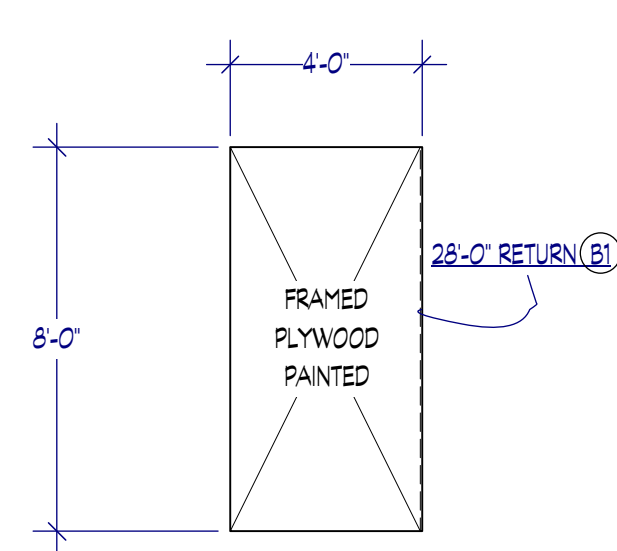


.. MADISON AVE

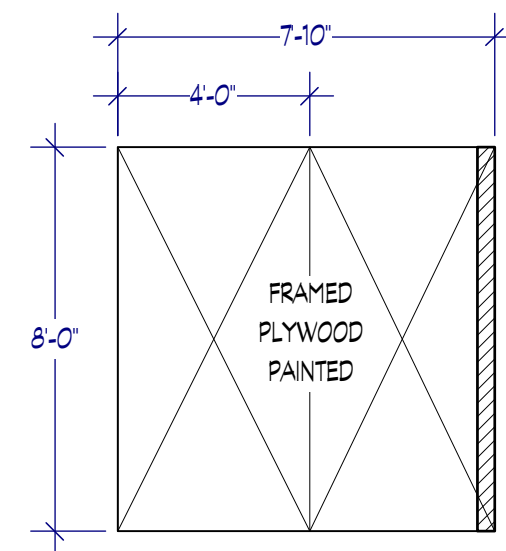
PRELIMINARY 09/19/2017

<p>唐人街探案 2 DETECTIVE CHINATOWN</p>	SET: MADISON AVE FACADE		
	SUBJECT: WALL ELEVATION		
	LOCATION: GLENDALE STUDIO		
	PREP: XX.XX.XXXX	SHOOT: XX.XX.XXXX	SHEET NO.
DATE: 09.19.2017	SCALE: 1/4"=1'-0"	2	
REVISD: XX.XX.XXXX	DRAWN BY: MARTIN F.	OF: 6	

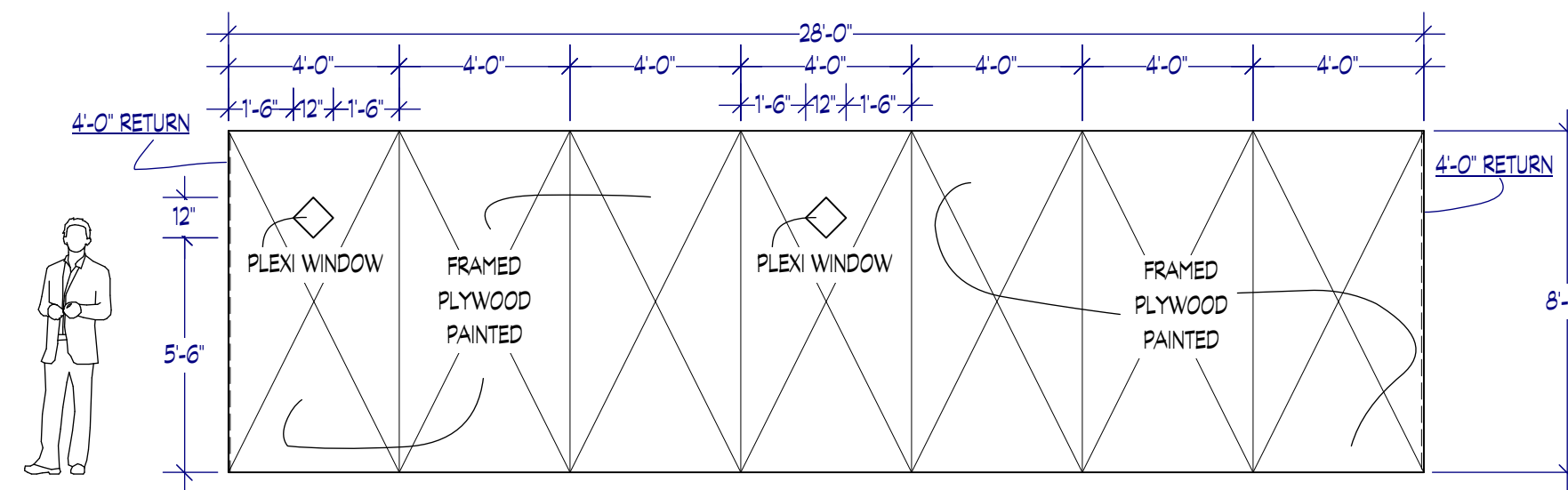




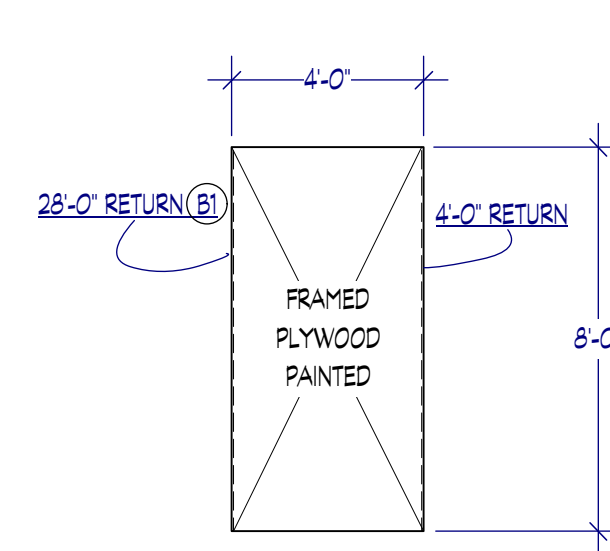
B2 CONSTRUCTION SHED SIDE
Scale: 1/4" = 1'-0"



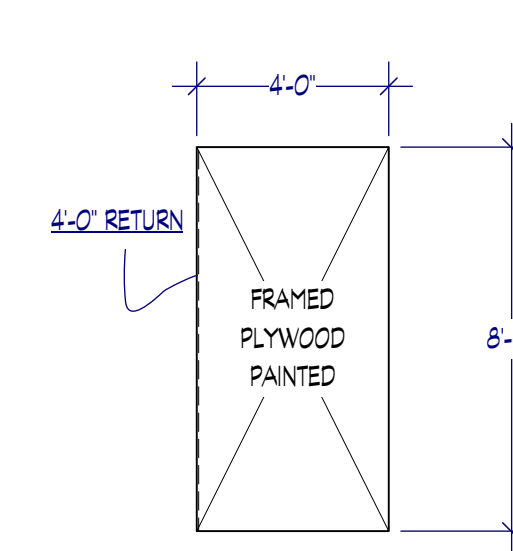
B3 CONSTRUCTION SHED
Scale: 1/4" = 1'-0"



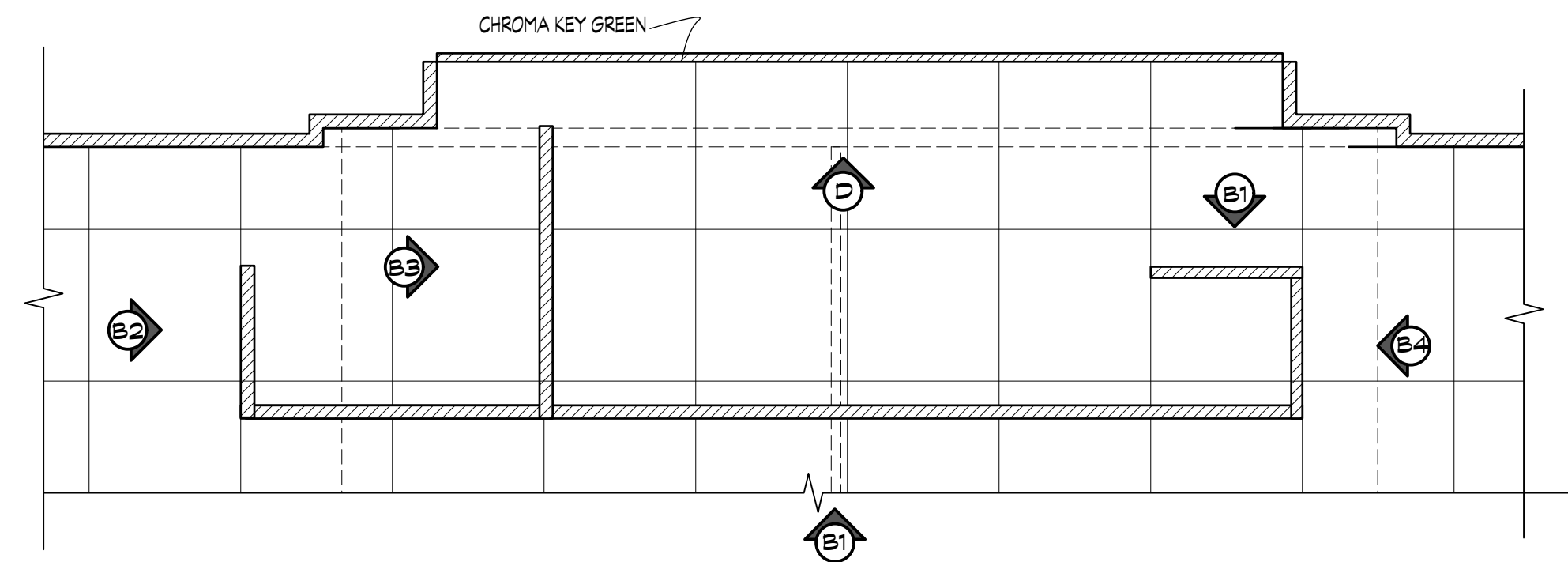
B1 CONSTRUCTION SHED FRONT
Scale: 1/4" = 1'-0"



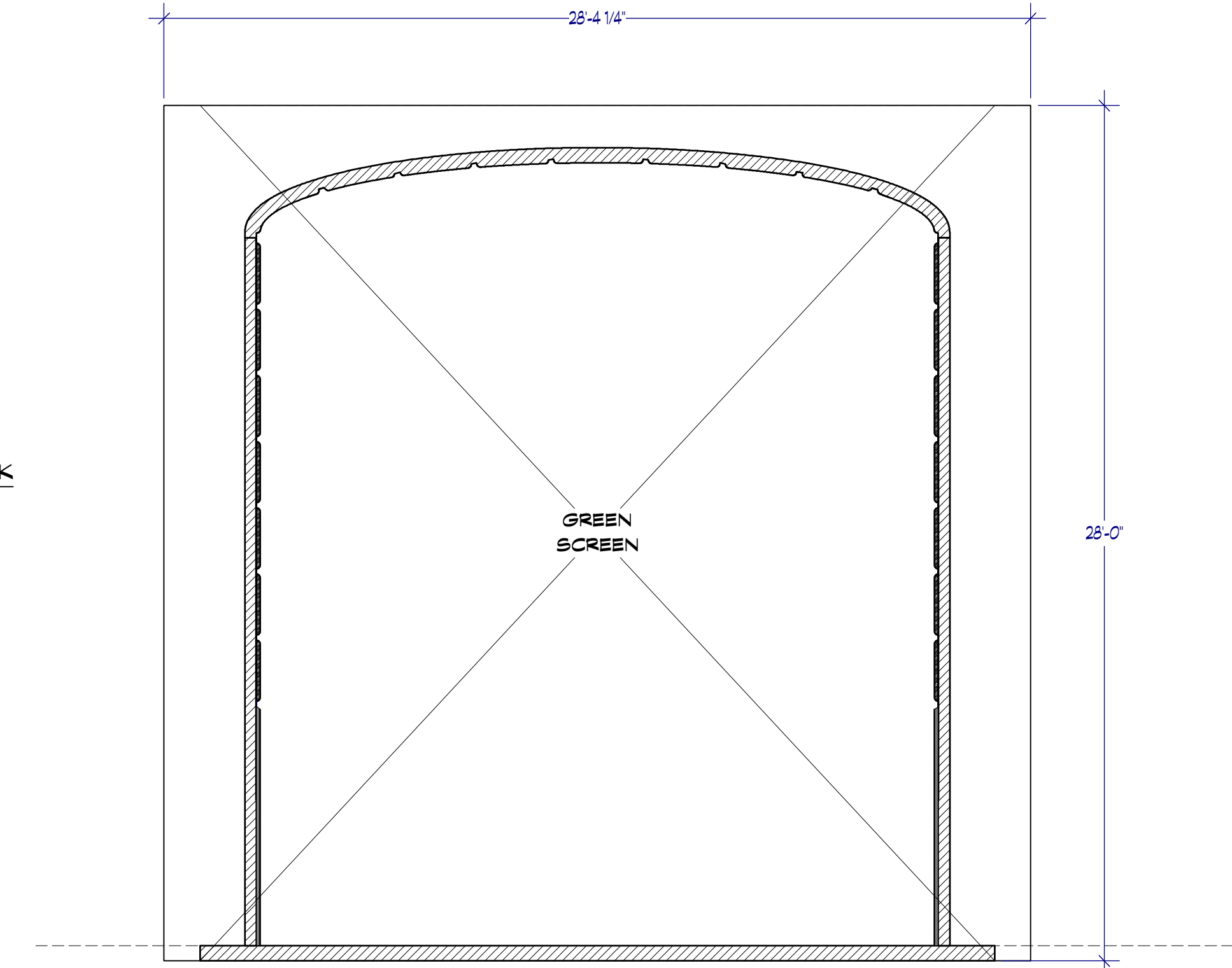
B4 CONSTRUCTION SHED SIDE
Scale: 1/4" = 1'-0"



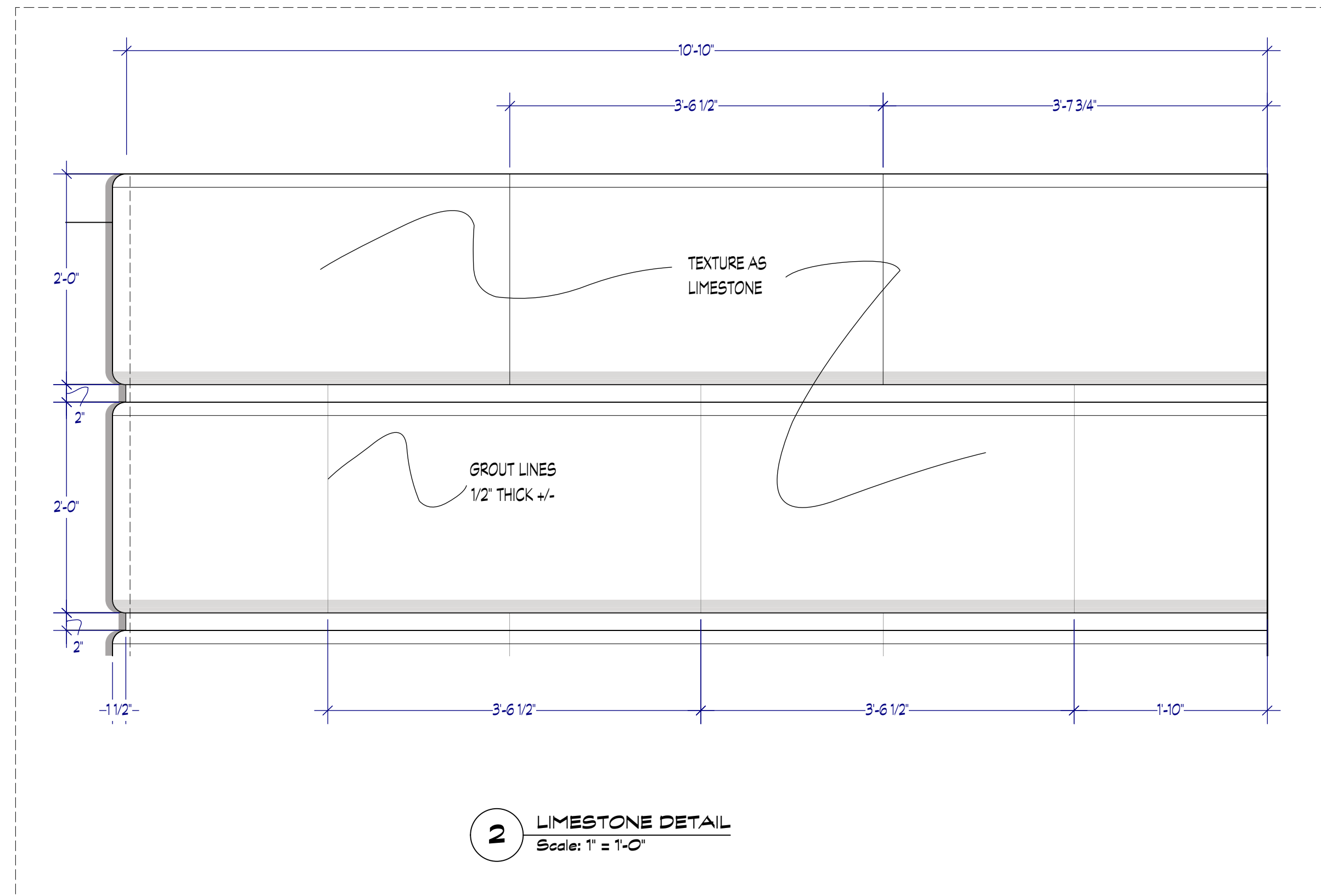
B5 CONSTRUCTION SHED BACK
Scale: 1/4" = 1'-0"



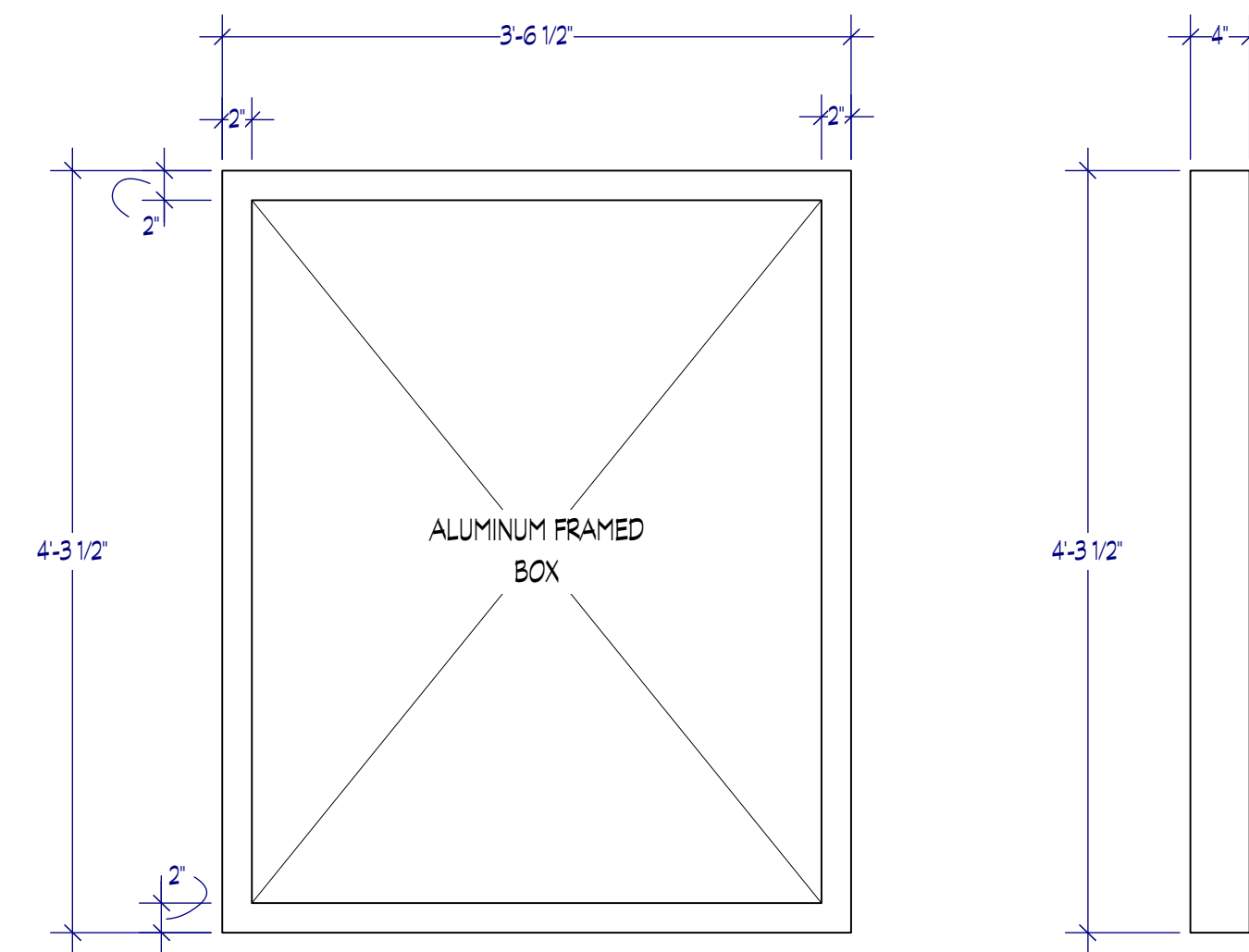
CONSTRUCTION SHED PLAN
Scale: 1/4" = 1'-0"



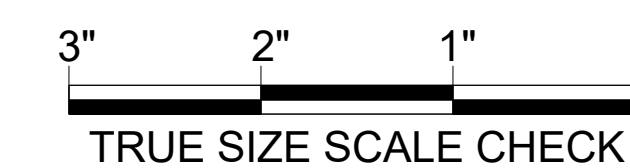
D GREEN SCREEN BACKING
Scale: 1/4" = 1'-0"



2 LIMESTONE DETAIL
Scale: 1" = 1'-0"

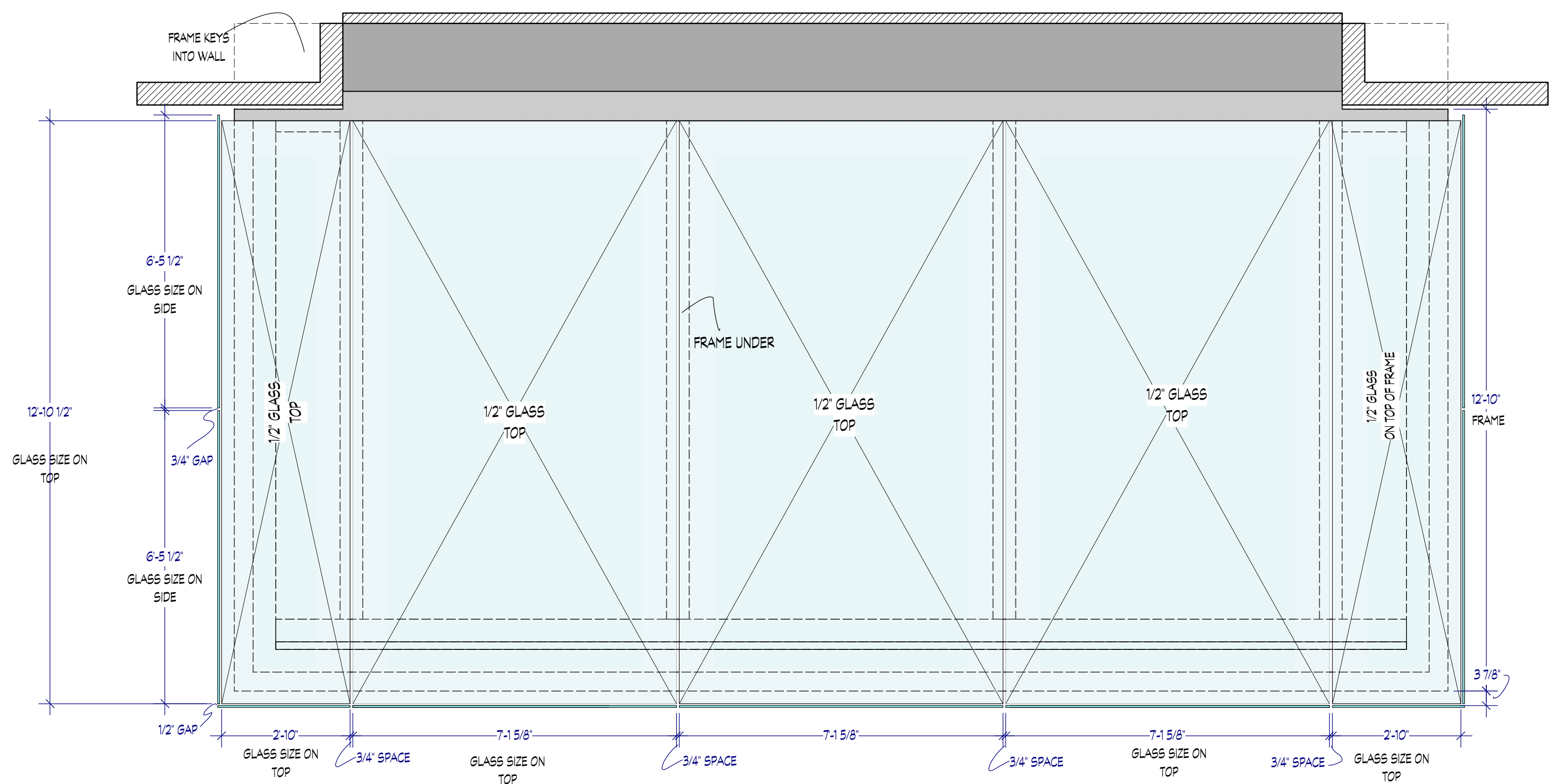


ALUM. FRAMED SIGN MAKE 2
Scale: 1" = 1'-0"

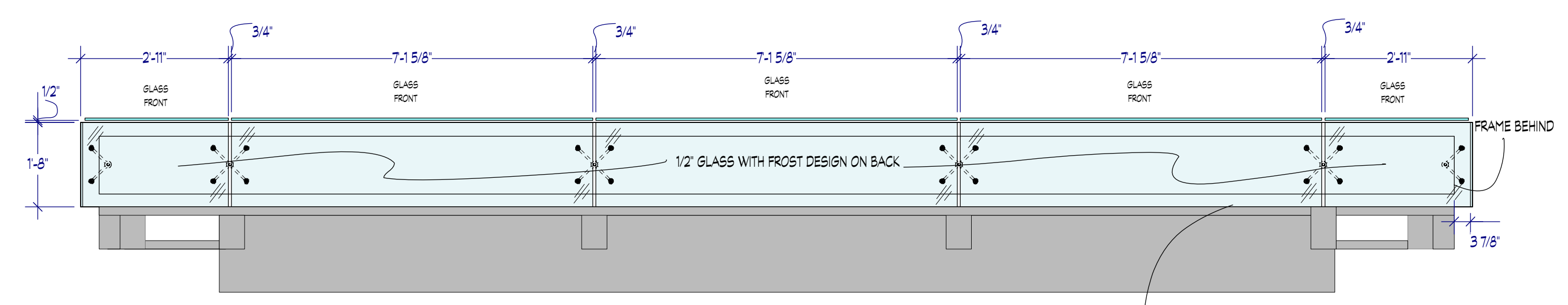


PRELIMINARY 09/19/2017

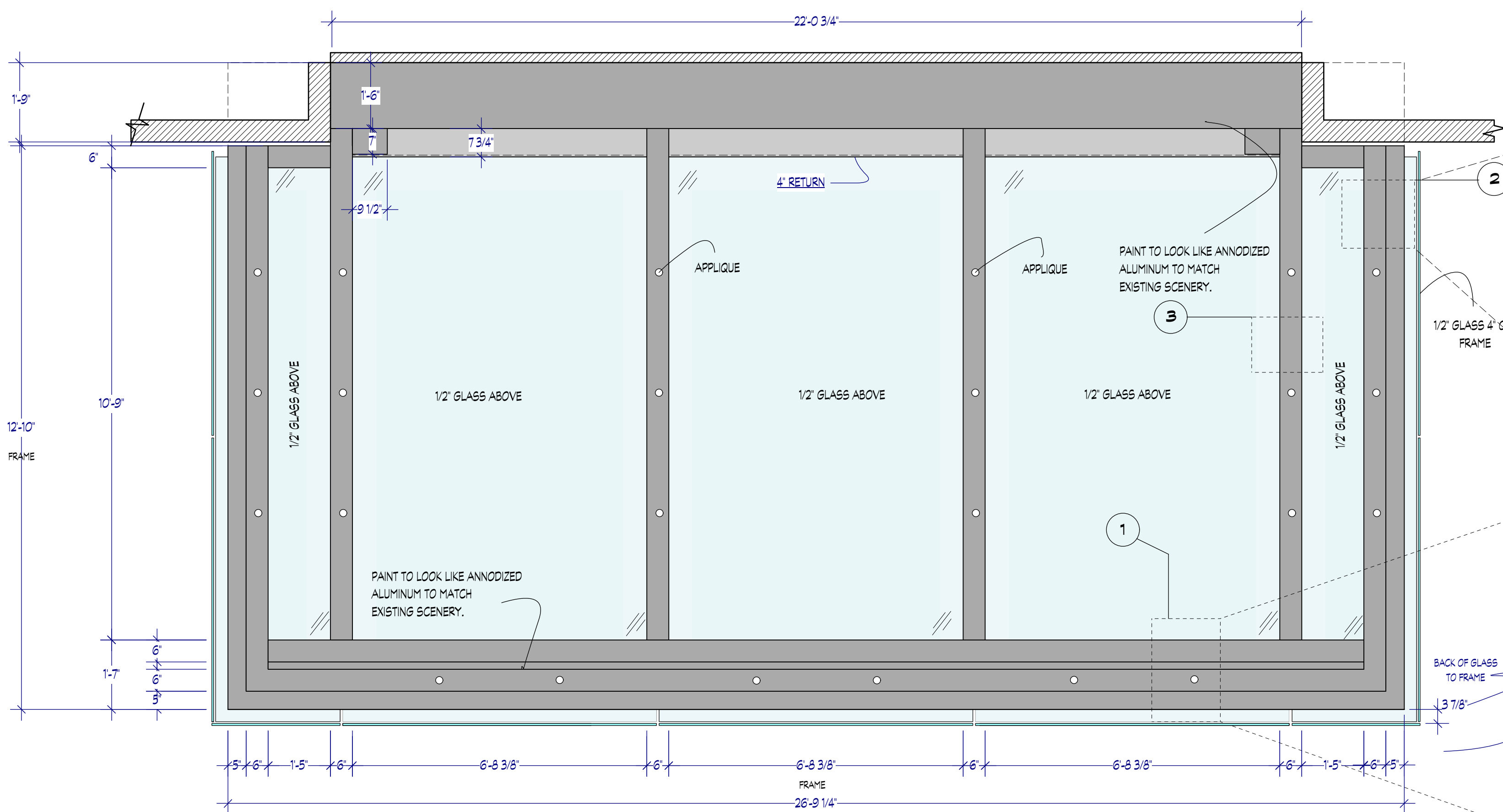
唐人街探案 2 DETECTIVE CHINATOWN	SET: MADISON AVE FACADE		
	SUBJECT: CONTINUE ELEVATIONS		
	LOCATION: GLENDALE STUDIO		
	PREP: XX.XX.XXXX	SHOOT: XX.XX.XXXX	SHEET NO.
PRODUCTION DESIGNER:	DATE: 09.19.2017	SCALE: NOTED	3
ART DIRECTOR:	REVISED: XX.XX.XXXX	DRAWN BY: MARTIN F.	OF: 6



C AWNING TOP VIEW
Scale: 1/2" = 1'-0"



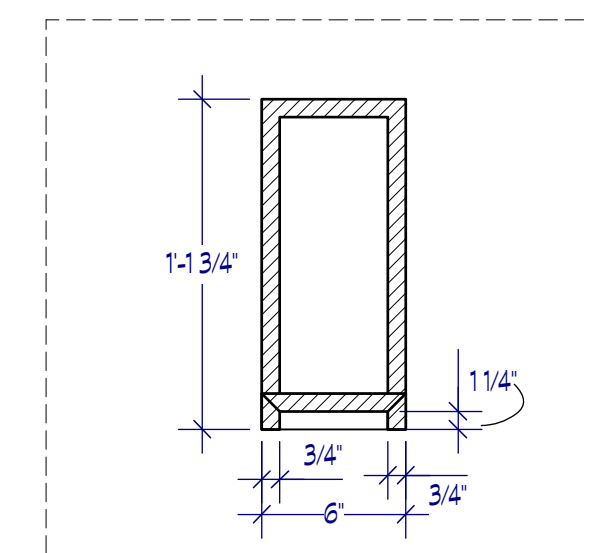
B AWNING FRONT VIEW
Scale: 1/2" = 1'-0"



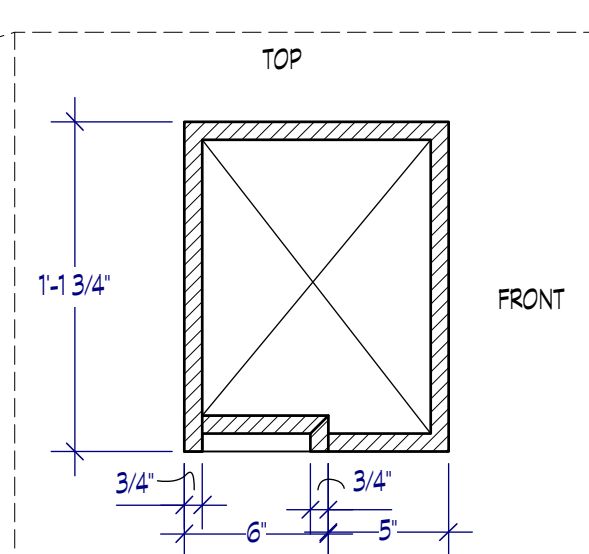
A AWNING MIRRORED VIEW
Scale: 1/2" = 1'-0"



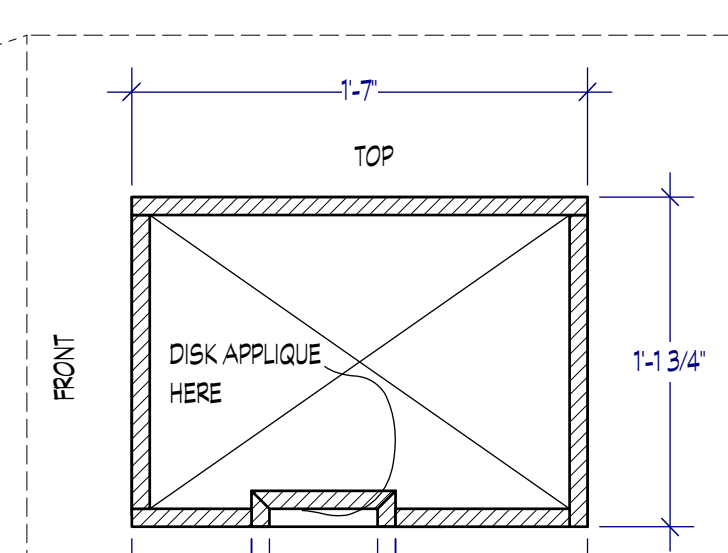
ACTUAL AWNING AND FACADE



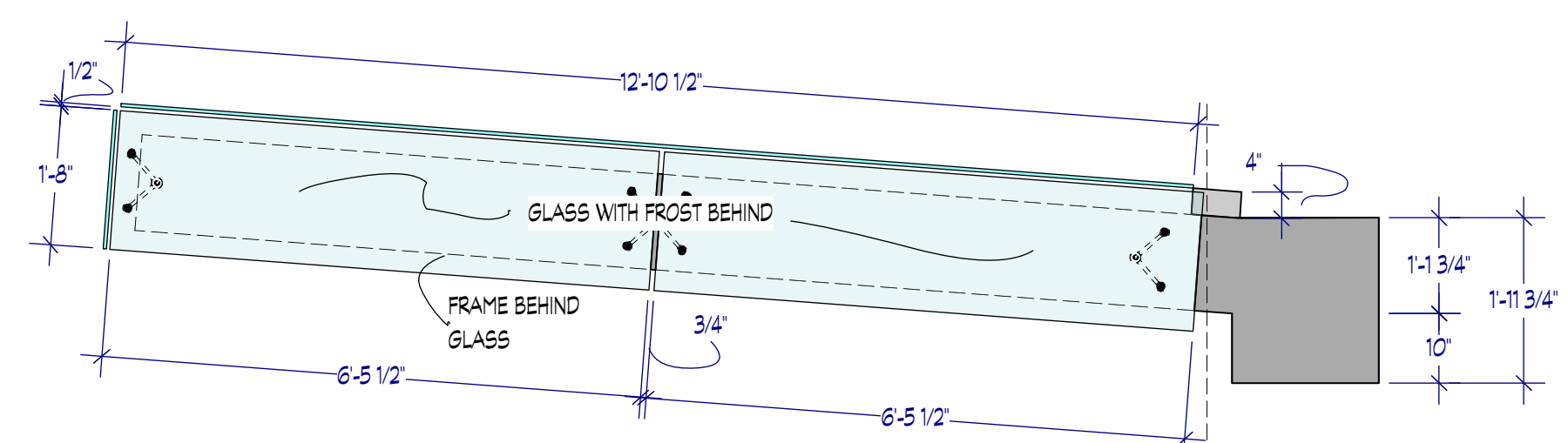
3 AWNING DETAIL 3
Scale: 1 1/2" = 1'-0"



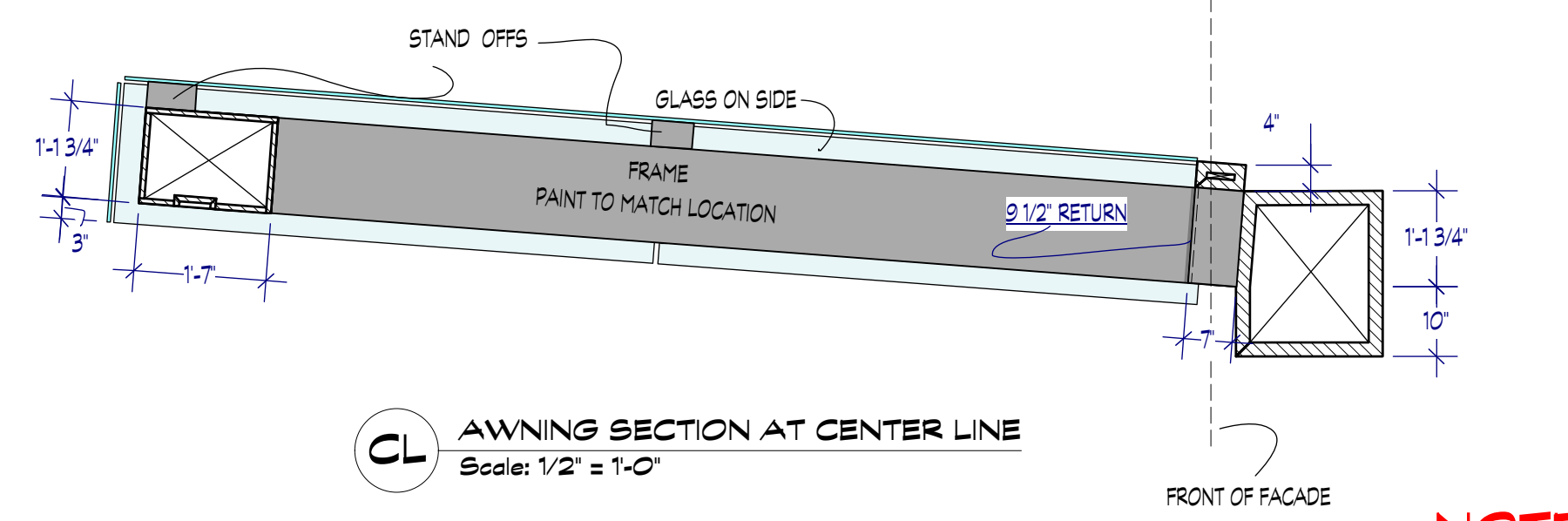
2 AWNING DETAIL 1
Scale: 1 1/2" = 1'-0"



1 AWNING DETAIL 1
Scale: 1 1/2" = 1'-0"



D AWNING SIDE VIEW
Scale: 1/2" = 1'-0"

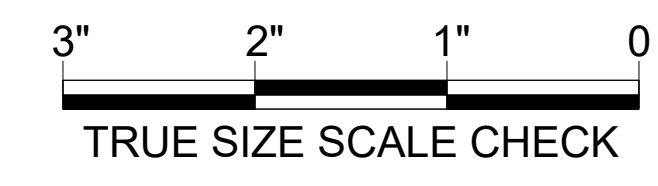


CL AWNING SECTION AT CENTER LINE
Scale: 1/2" = 1'-0"

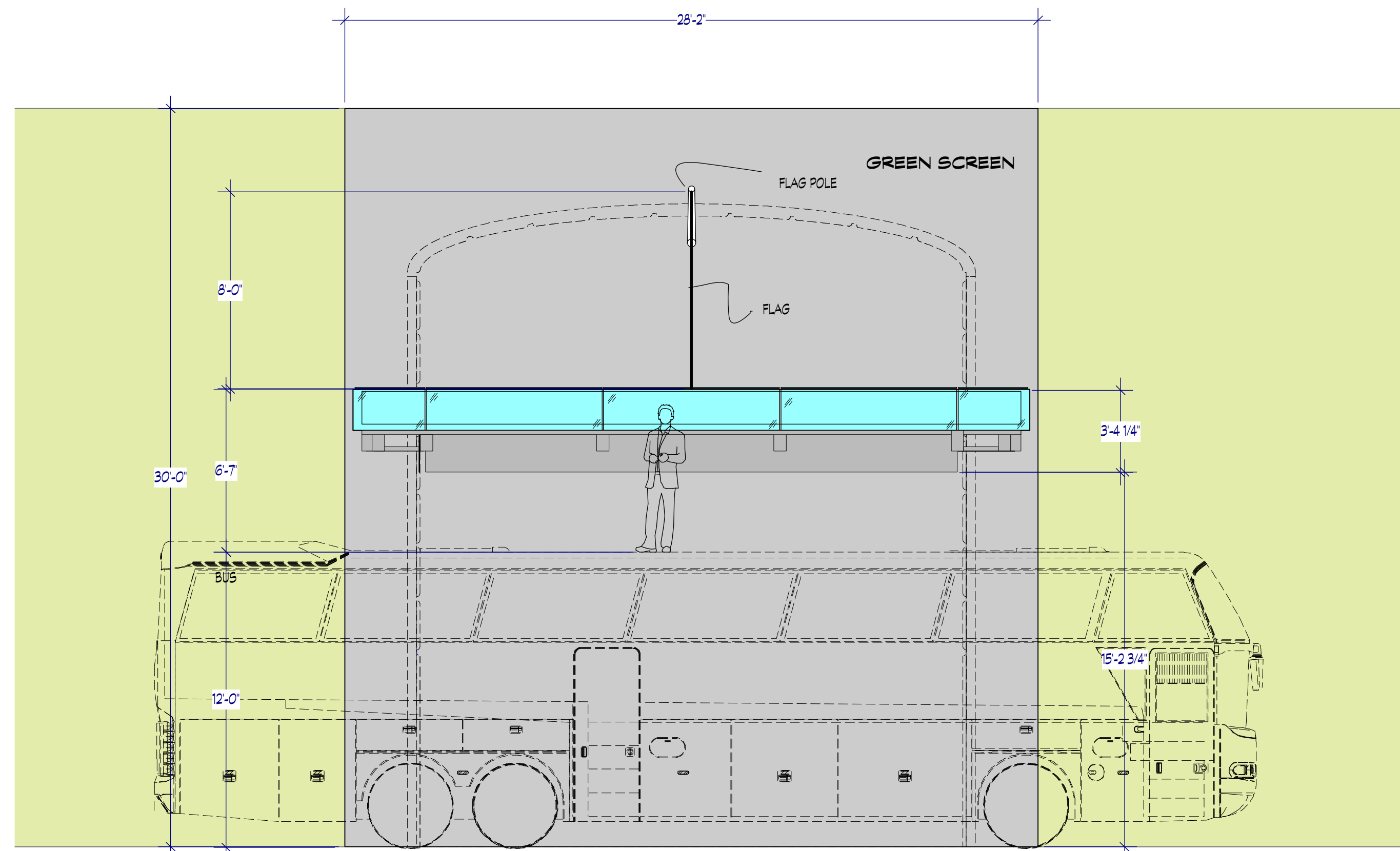
NOTE: GLASS SQUARE FOOTAGE
TOP - 352 SQ. FT
FRONT - 45 SQ. FT
SIDES - 21 SQ. FT
TOTAL - 418 SQ. FT

APPROX GLASS SIZES - CONFIRM BEFORE ORDERING
TOP - 2@ 2'-10" X 12'-10.5" 3@ 7'-1 5/8" X 12'-10.5"
FRONT - 2@ 2'-11" X 1'-8" 3@ 7'-1 5/8" X 1'-8"
SIDES - 4@ 6'-5 1/2" X 1'-8"

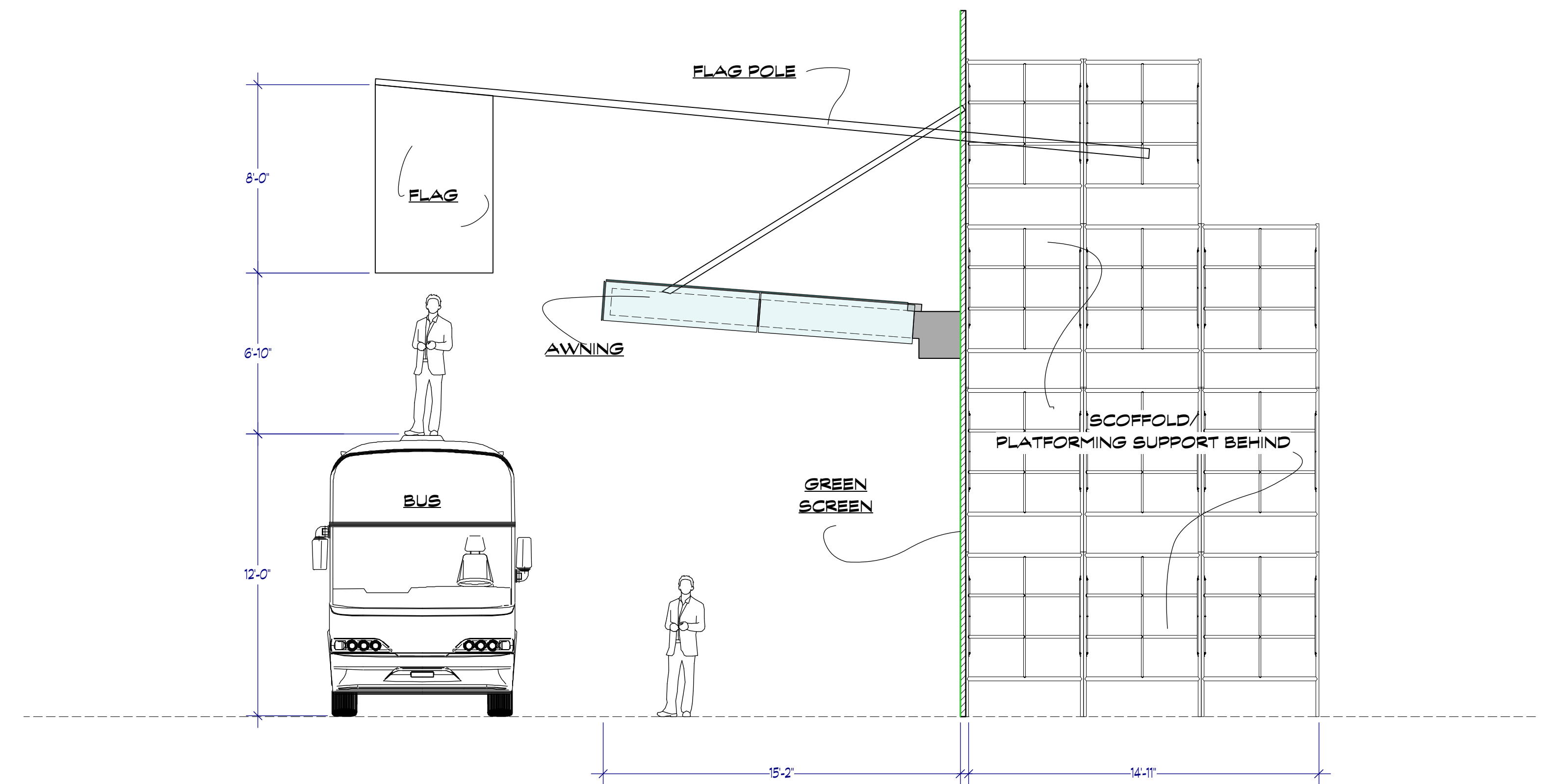
RELEASE 09/25/2017



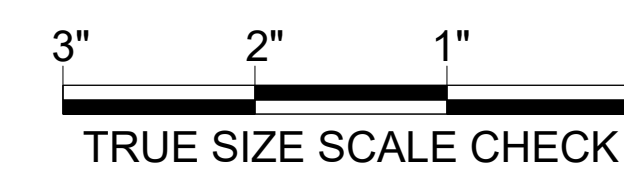
唐人街探案 2 DETECTIVE CHINATOWN	SET: SET 116 MADISON AVE SPFX		
	SUBJECT: AWNING ELEVATION		
	LOCATION: GLENDALE STUDIO LOT		
	PREP: XX.XX.XXXX	SHOOT: XX.XX.XXXX	SHEET NO.
DATE: 09.21.2017	SCALE: 1/2" = 1'-0"	4 OF: 6	
REVISD: XX.XX.XXXX	DRAWN BY: MARTIN F.		



1 MADISON AVE VFX FRONT
Scale: 1/4" = 1'-0"

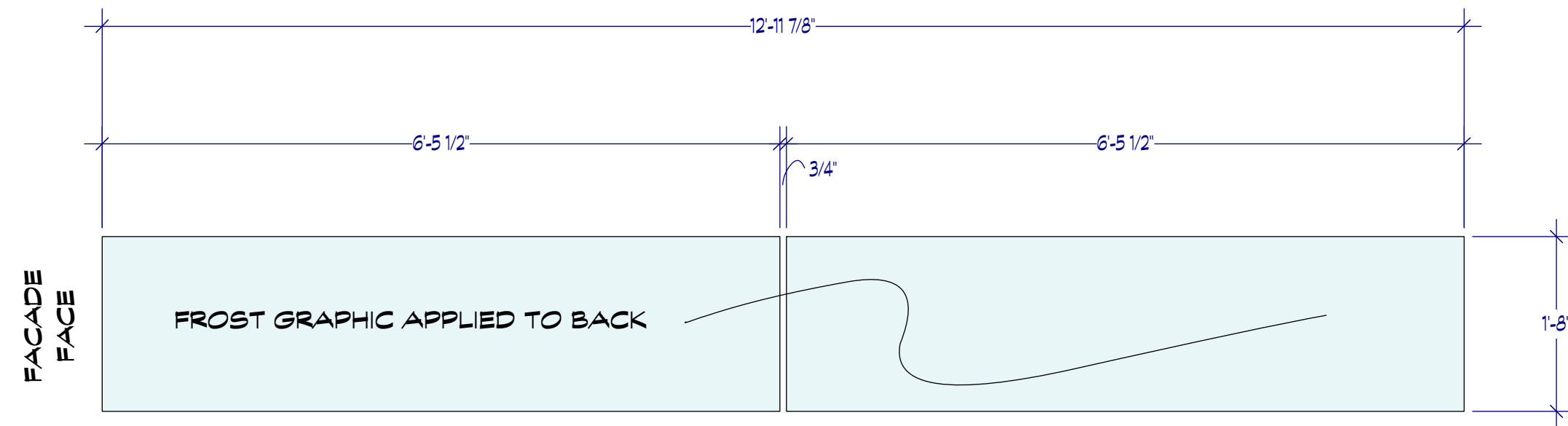


2 MADISON AVE VFX SIDE
Scale: 1/4" = 1'-0"

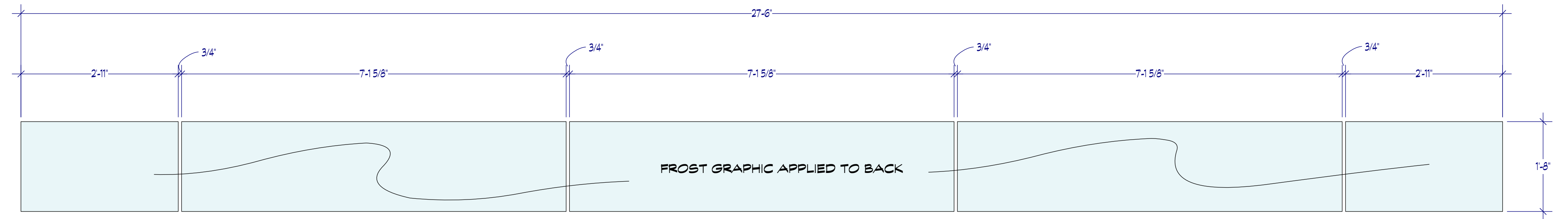


PRELIMINARY 09/21/2017

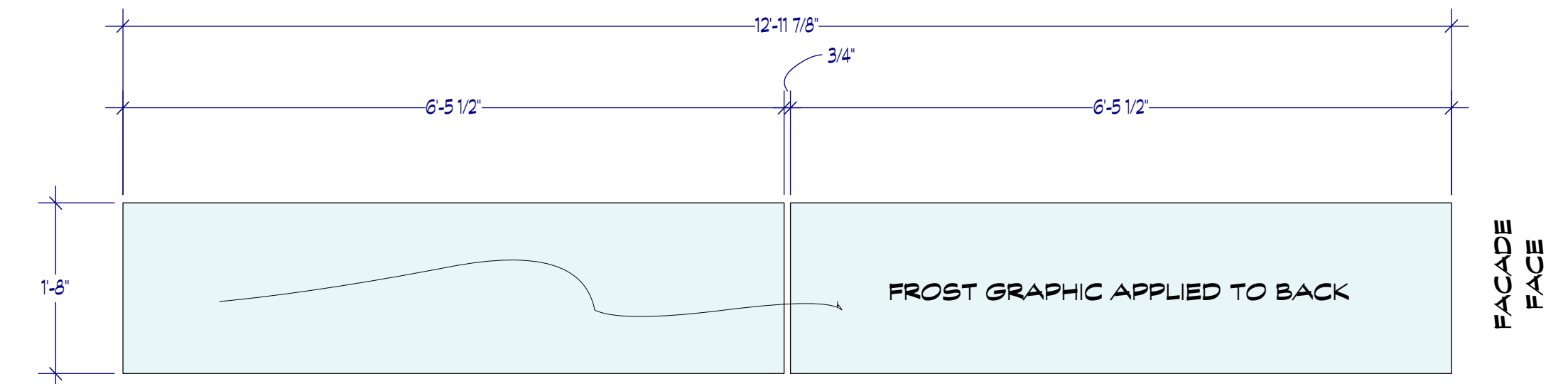
唐人街探案 2 DETECTIVE CHINATOWN 2	SET: SET 116 MADISON AVE SPFX		
	SUBJECT: GREEN SCREEN ELEVATION		
	LOCATION: GLENDALE STUDIO LOT		
	PREP: XX.XX.XXXX	SHOOT: XX.XX.XXXX	SHEET NO.
PRODUCTION DESIGNER:	DATE: 09.15.2017	SCALE: 1/4" = 1'-0"	5
ART DIRECTOR:	REVISED: XX.XX.XXXX	DRAWN BY: MARTIN F.	



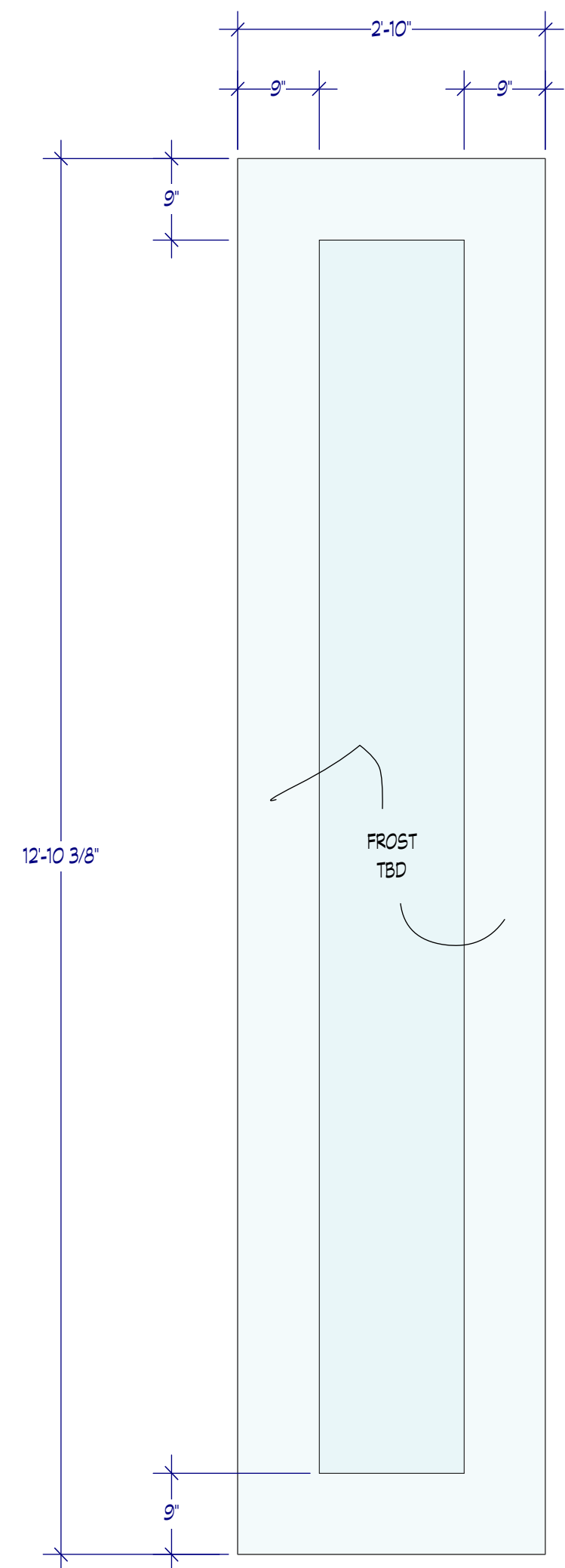
A AWNING GLASS LEFT SIDE
Scale: 3/4" = 1'-0"



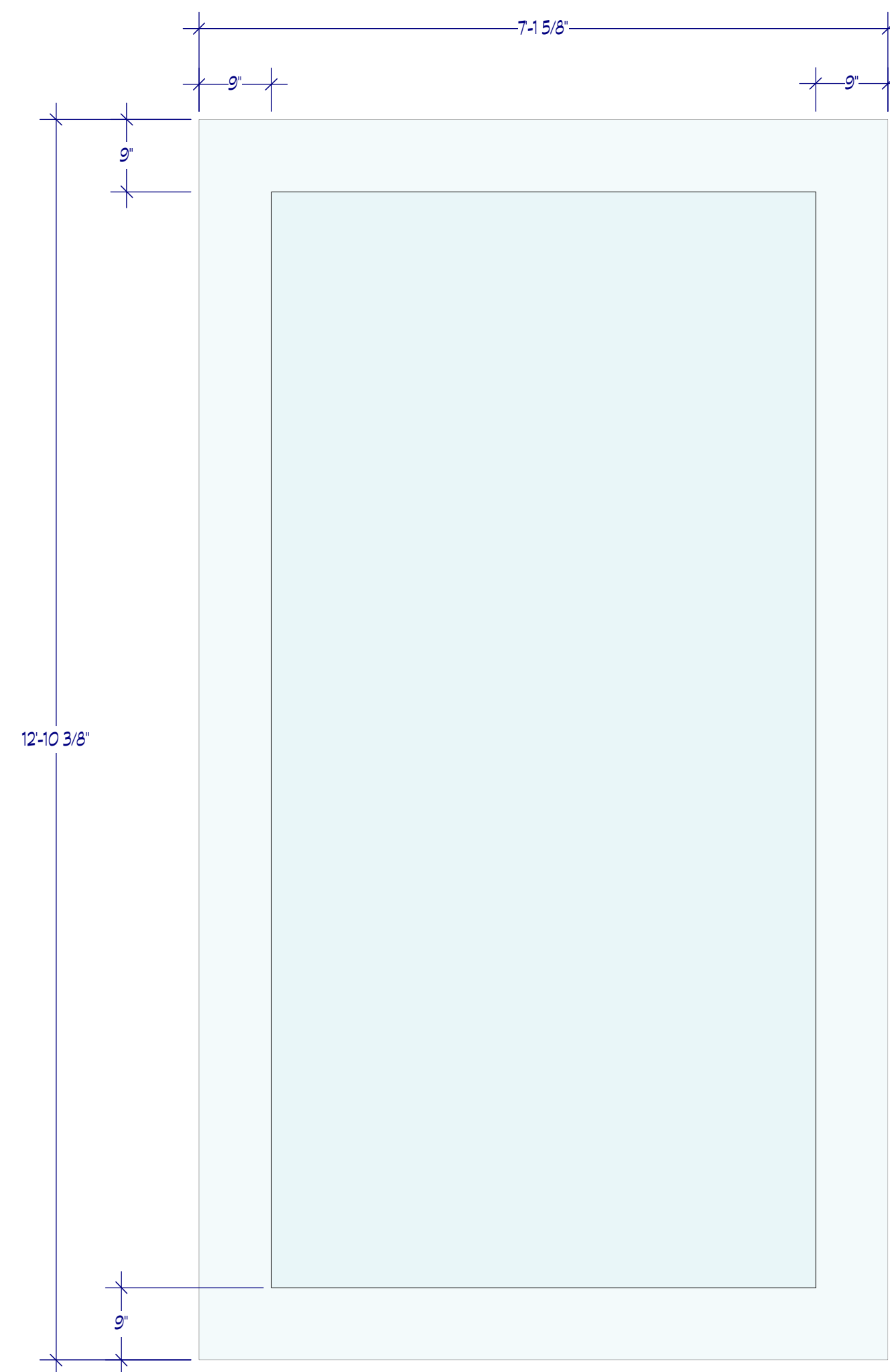
B AWNING GLASS FRONT
Scale: 3/4" = 1'-0"



C AWNING GLASS RIGHT SIDE
Scale: 3/4" = 1'-0"



D AWNING GLASS TOP SIDES - MAKE 2
Scale: 3/4" = 1'-0"



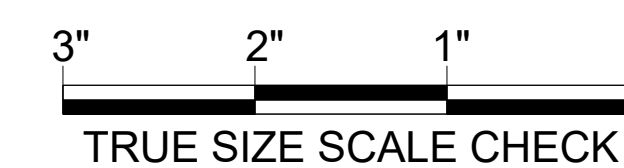
E AWNING GLASS TOP MIDDLE - MAKE 3
Scale: 3/4" = 1'-0"

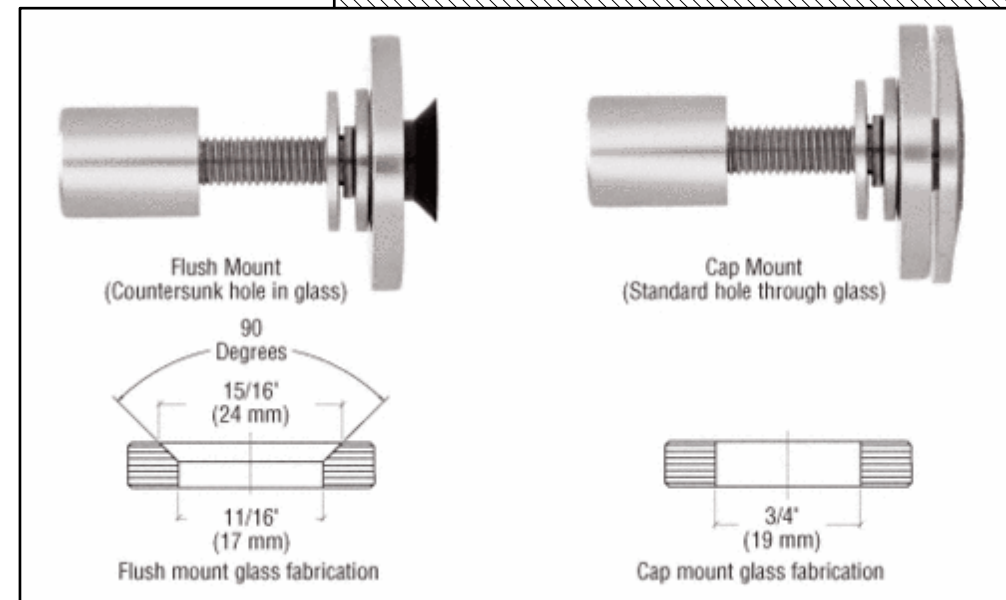
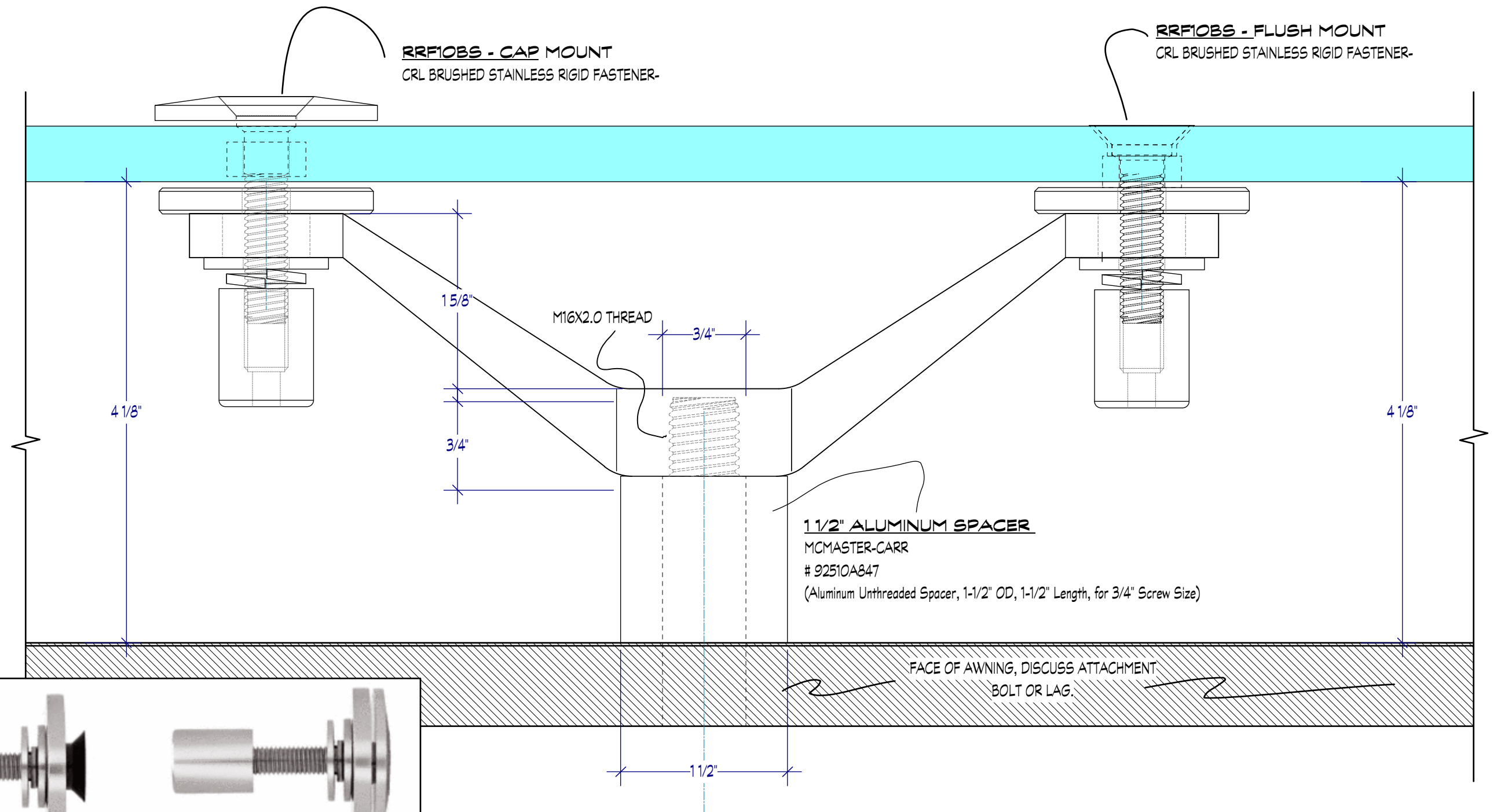


AWNING GRAPHIC
Scale: Actual Size

PRELIMINARY 09/22/2017

<p>唐人街探案 2 DETECTIVE CHINATOWN</p>	SET: SET 116 MADISON AVE SPFX		
	SUBJECT: GLASS LAYOUT		
	LOCATION: GLENDALE STUDIO LOT		
	PREP: XX.XX.XXXX	SHOOT: XX.XX.XXXX	SHEET NO.
PRODUCTION DESIGNER:	DATE: 09.15.2017	SCALE: 3/4" = 1'-0"	6
ART DIRECTOR:	REVISED: XX.XX.XXXX	DRAWN BY: MARTIN F.	





1 **AWNING STAND OFF DETAIL VIEW**
Scale: Actual Size

PRELIMINARY 09/25/2017

	PRODUCTION DESIGNER: MIAO LI ART DIRECTOR: PATRICK HOWE	DRAWING: STAND OFF DETAIL	SHOOT DATE: 10/9/17	SET #: 116	DATE DRAWN: 9.25.17	AWNING STAND OFF
	DRAWING BY: M. FAHRER	LOCATION: GLENDALE BACK LOT	SCALE: FULL	SCENE #: XX	REVISED: XX	