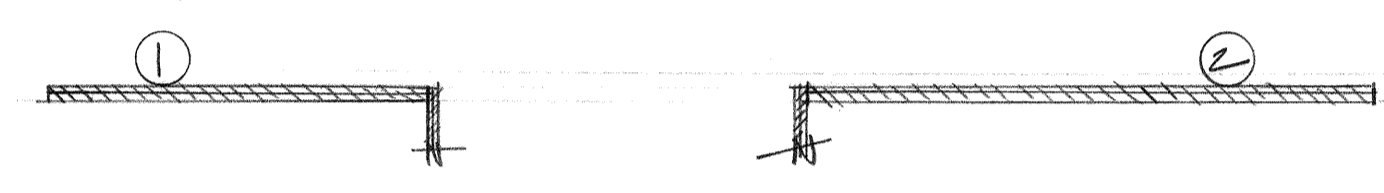
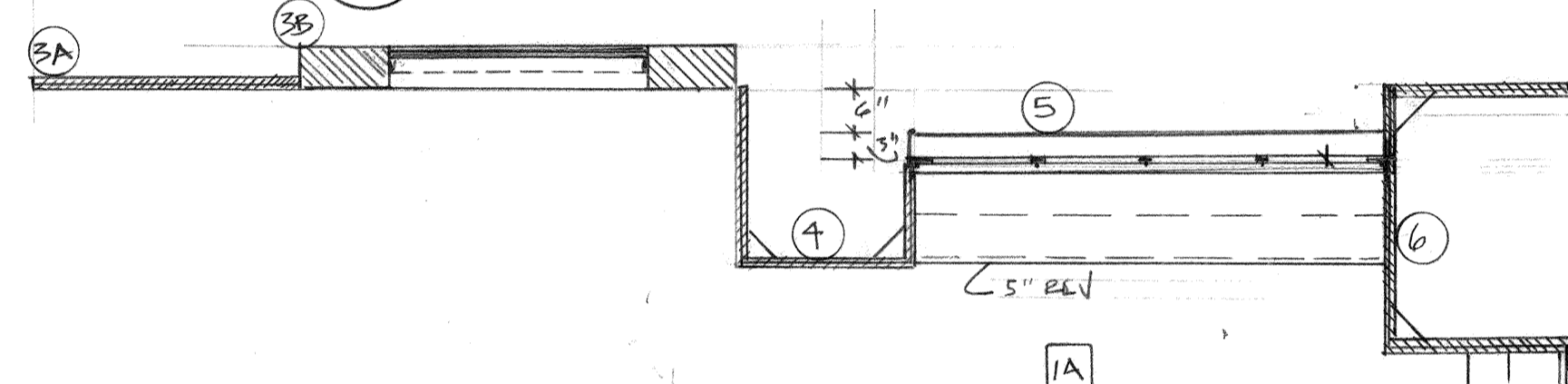


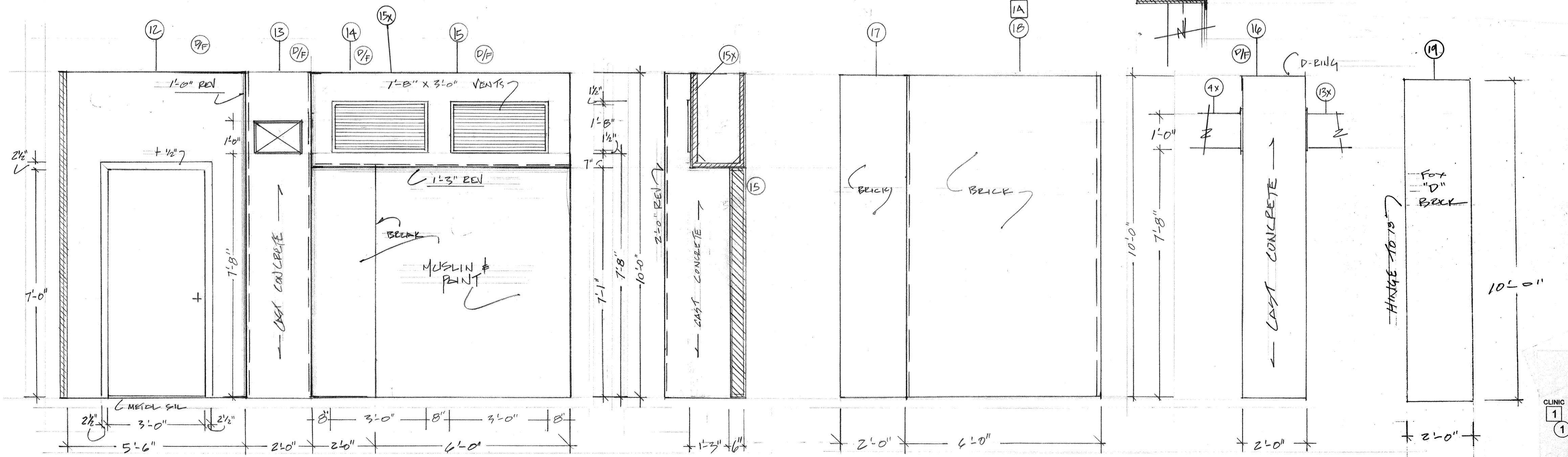
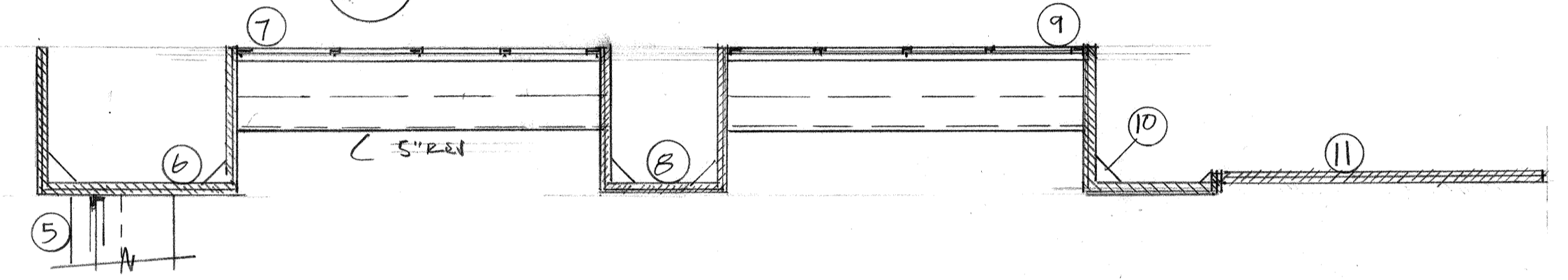
A S/L Backing
SCALE 1/2" = 1'-0"



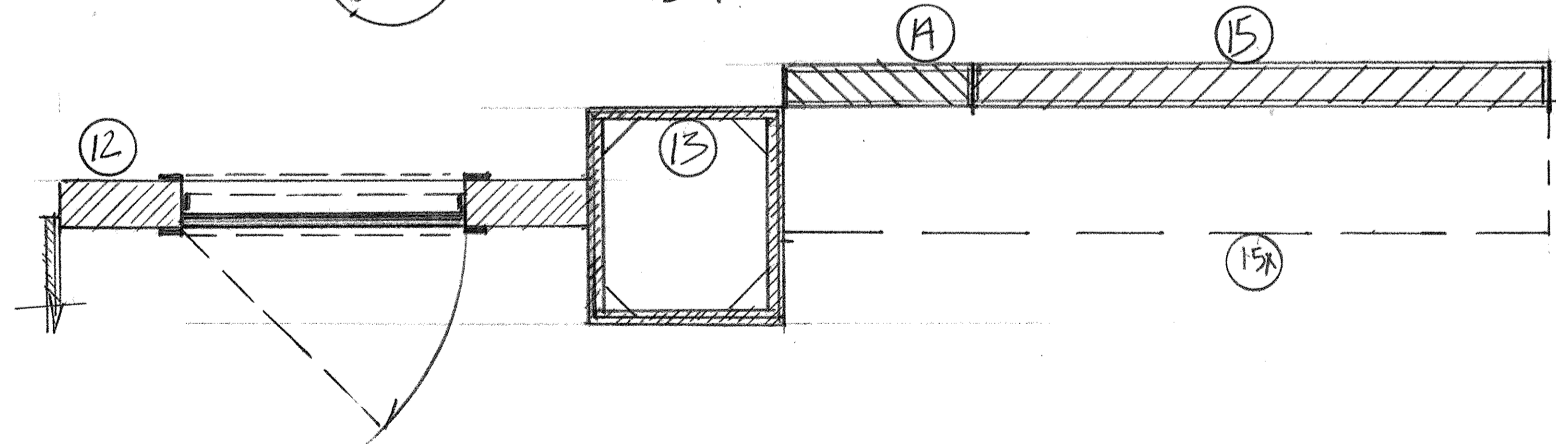
B STAGE RIGHT WALL
SCALE 1/2" = 1'-0"



C CL. S. WINDOWS
SCALE 1/2" = 1'-0"



D S/L WALL
SCALE 1/2" = 1'-0"

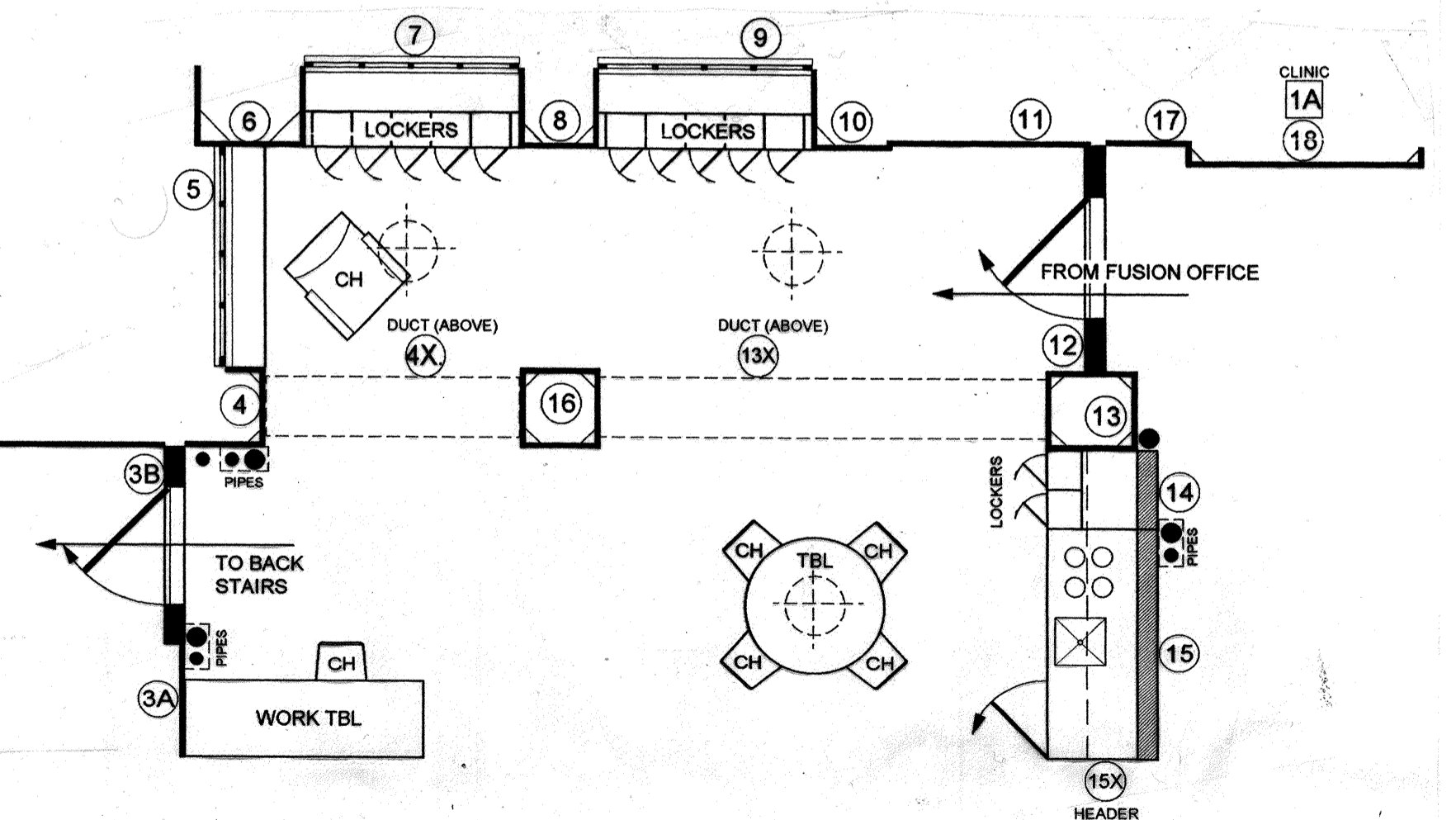
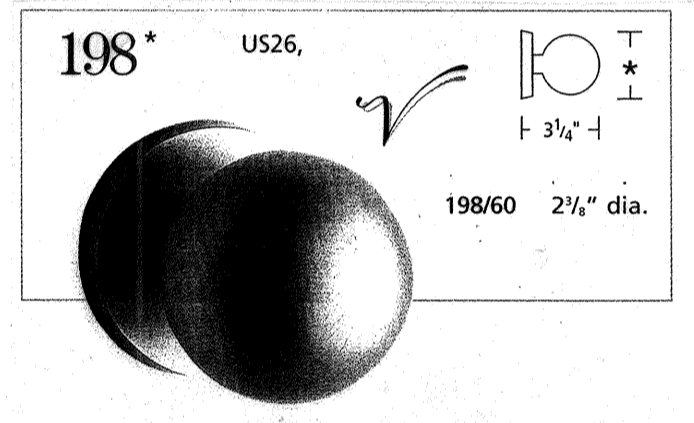


E S/L Backing
SCALE 1/2" = 1'-0"

F PS COLUMN
SCALE 1/2" = 1'-0"

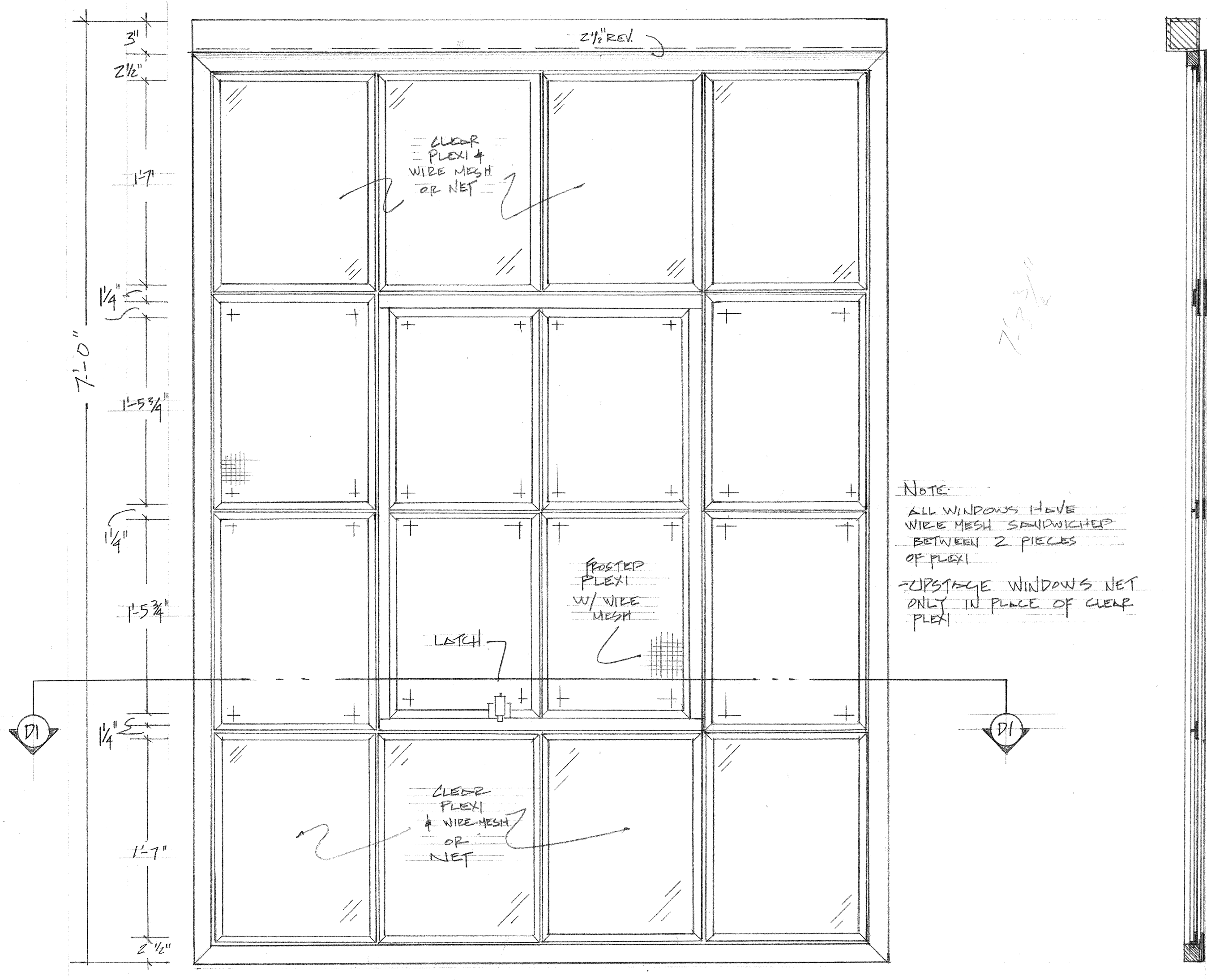
F PS COLUMN
SCALE 1/2" = 1'-0"

G NEW WIND
SCALE 1/2" = 1'-0"

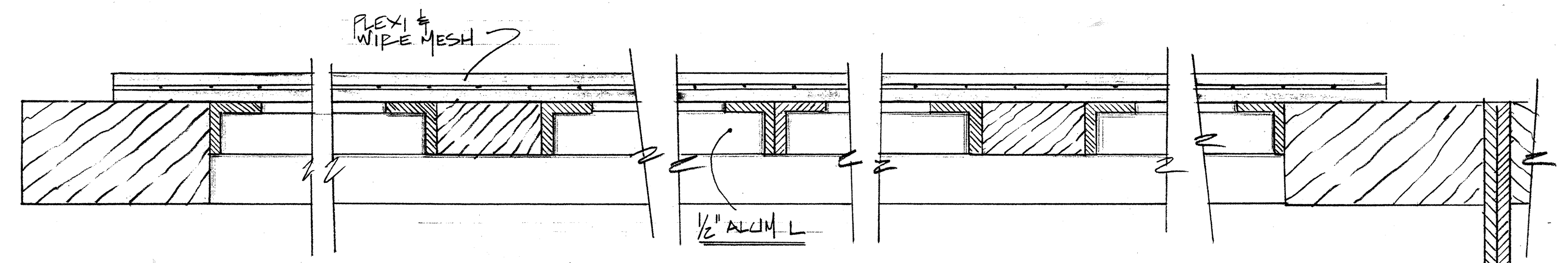


FUSION OFFICE LOUNGE
Scale: 1/4" = 1'-0"

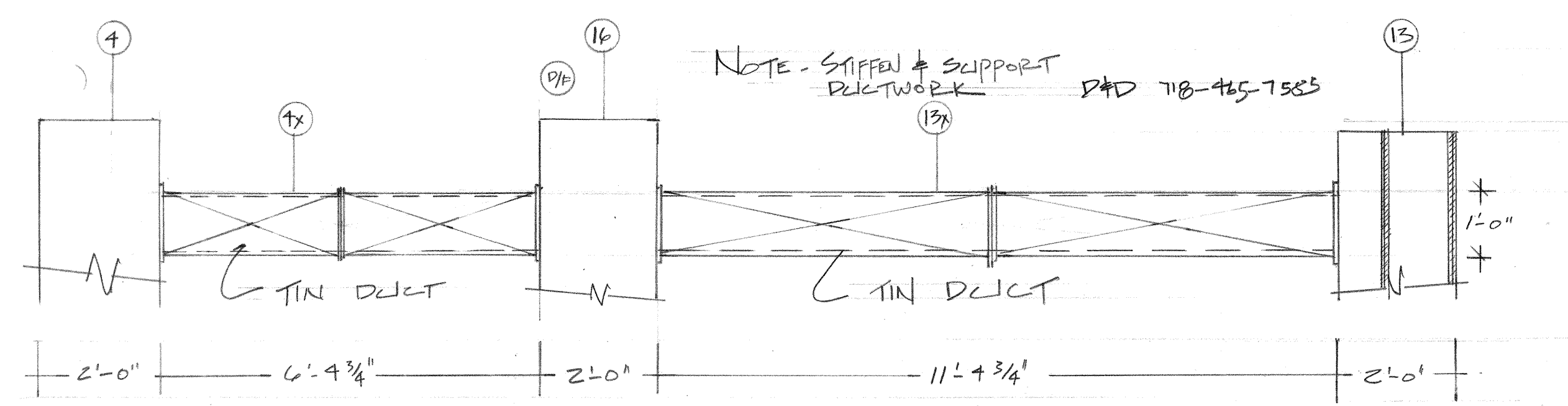
UNION STAMP S.D. 1104 SCENIC DESIGNER 	AMERICAN BROADCASTING COMPANIES		DRAWING NO. 1
	PROD.: ALL MY CHILDREN	STUDIO 23 TV	OF 2
	SET: FUSION OFFICE LOUNGE		
	SCALE: 1/4" = 1'-0"	DEL. DATE: 11-21-06	
	DRAWN: 11-6-06	PROD. DATE: 10-4-05	
DESIGNER: E. MOONEY	DRAFTSMAN: M. HERR		



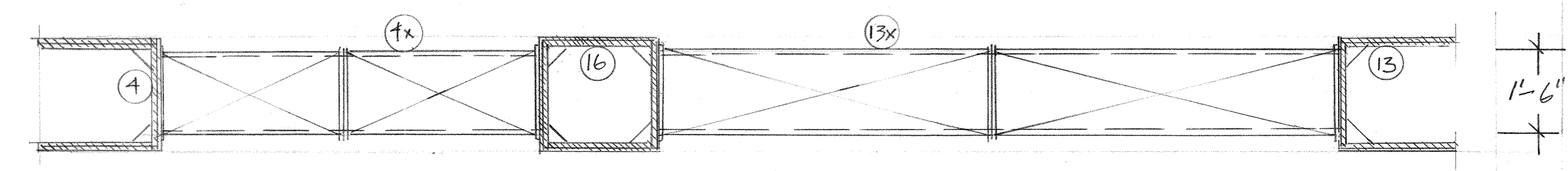
NOTE:
ALL WINDOWS HAVE
WIRE MESH SANDWICHED
BETWEEN 2 PIECES
OF PLEXI
ZIPSTACHE WINDOWS NET
ONLY IN PLACE OF CLEAR
PLEXI



D1 WINDOW DETAIL
FULL SCALE

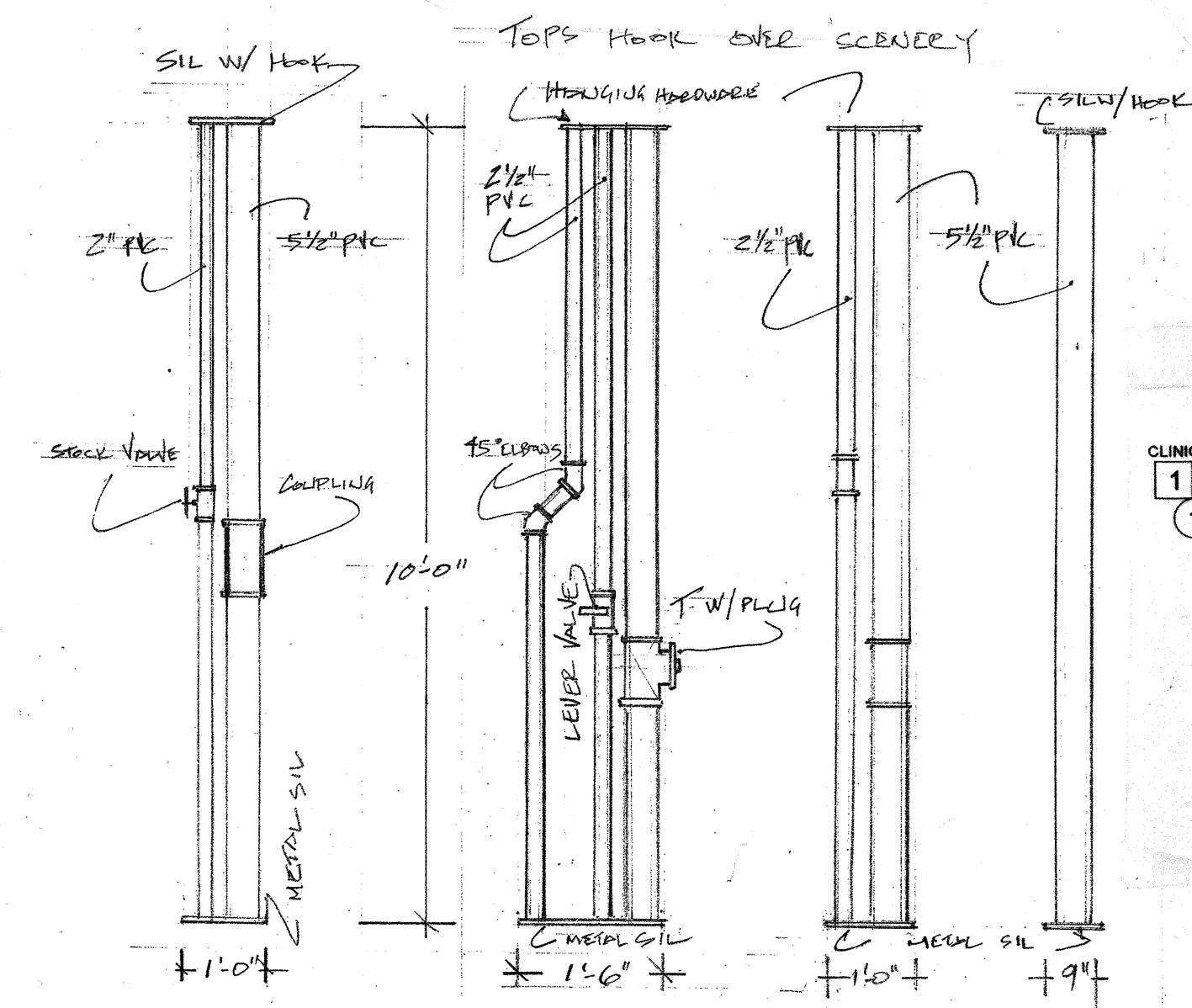


TIN DUCTS
SCALE 1/2" = 1'-0"

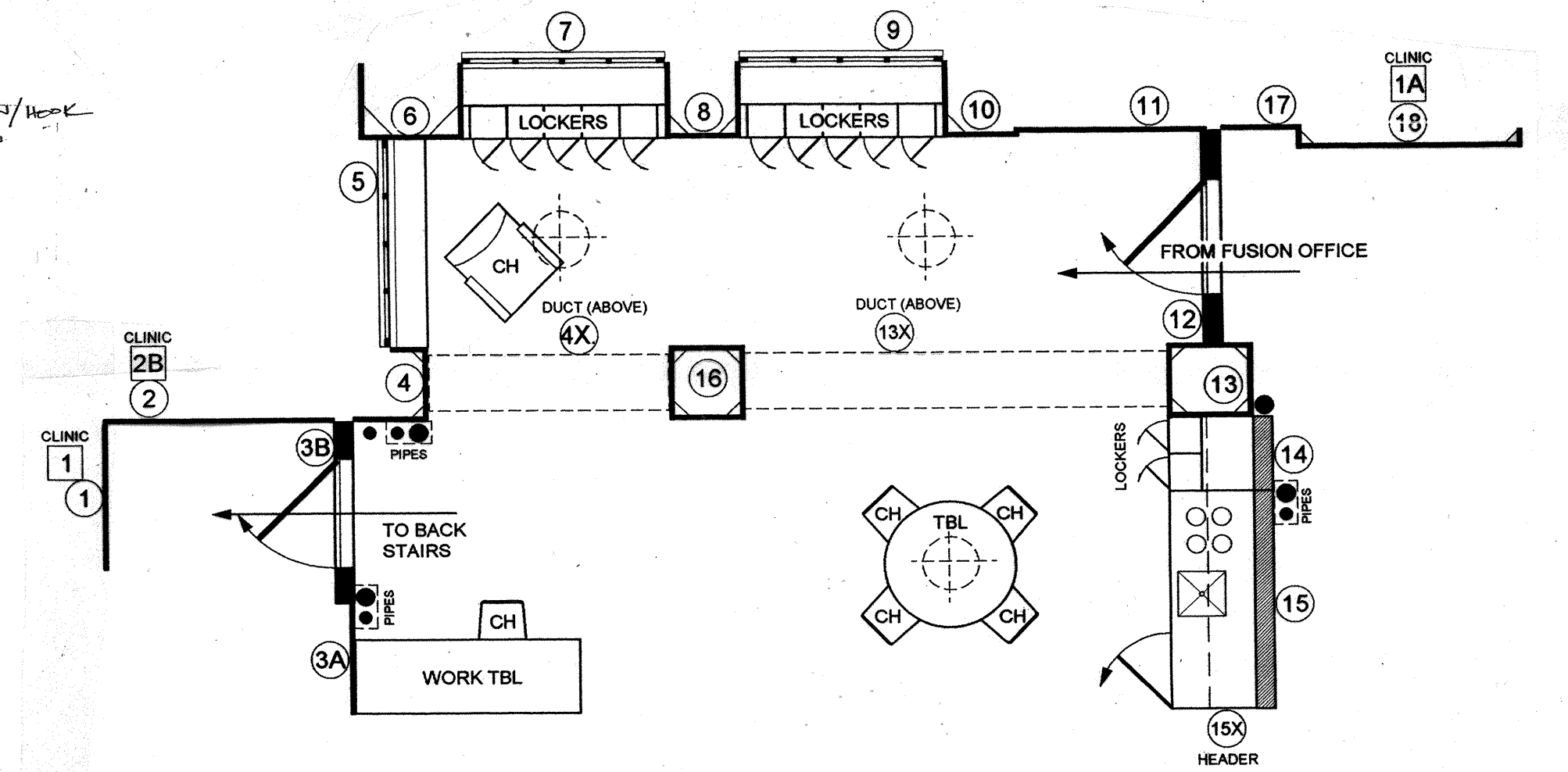


WINDOW DETAIL
SCALE 1/2" = 1'-0"

SECTION e-e
SCALE 1/2" = 1'-0"



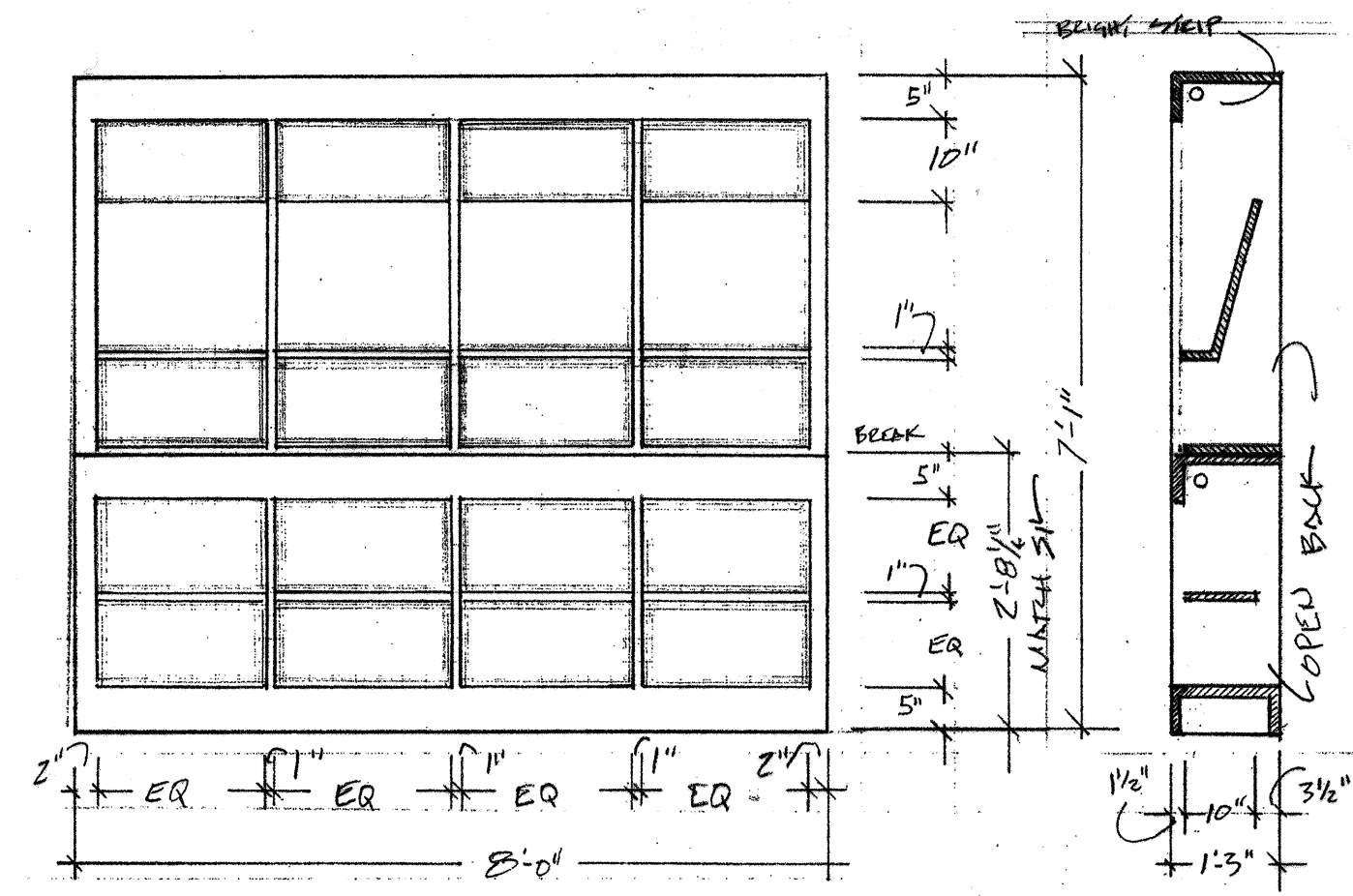
PVC PIPES
SCALE 1/2" = 1'-0"



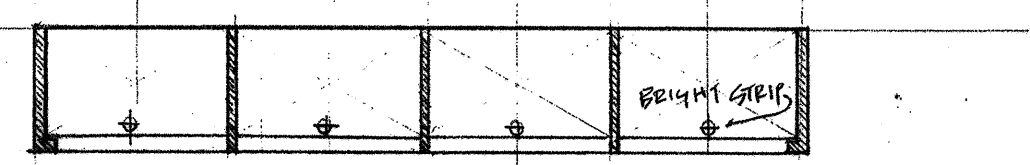
FUSION OFFICE LOUNGE
Scale: 1/4" = 1'-0"

UNION STAMP S.D. 1104 SCENIC DESIGNER M.	AMERICAN BROADCASTING COMPANIES abc		DRAWING NO.	
	PROD.: ALL MY CHILDREN		STUDIO TV 23	
	SET: FUSION OFFICE LOUNGE			
	SCALE: 1/2" = 1'-0"	DEL. DATE: 11/21/06		
	DRAWN: 11/7/06	PROD. DATE: To WHS		
DESIGNER: F. MOONEY		DRAFTSMAN: M. FENNER		

5'-4 3/4"
5"
5"



SHELVES 10-23-08
SCALE 1/2" = 1'-0"



UNION STAMP	AMERICAN BROADCASTING COMPANIES		DRAWING NO.
	PROD.: ALL MY CHILDREN	STUDIO TV 23	3 OF 3
	SET: FUSION OFFICE LOUNGE		
	SCALE: 1/2" = 1'-0"	DEL. DATE: 10-23-08	
	DRAWN: 10-14-08	PROD. DATE: 10-24-08	
	DESIGNER: R. MOOREY	DRAFTSMAN: M. FEHLER	