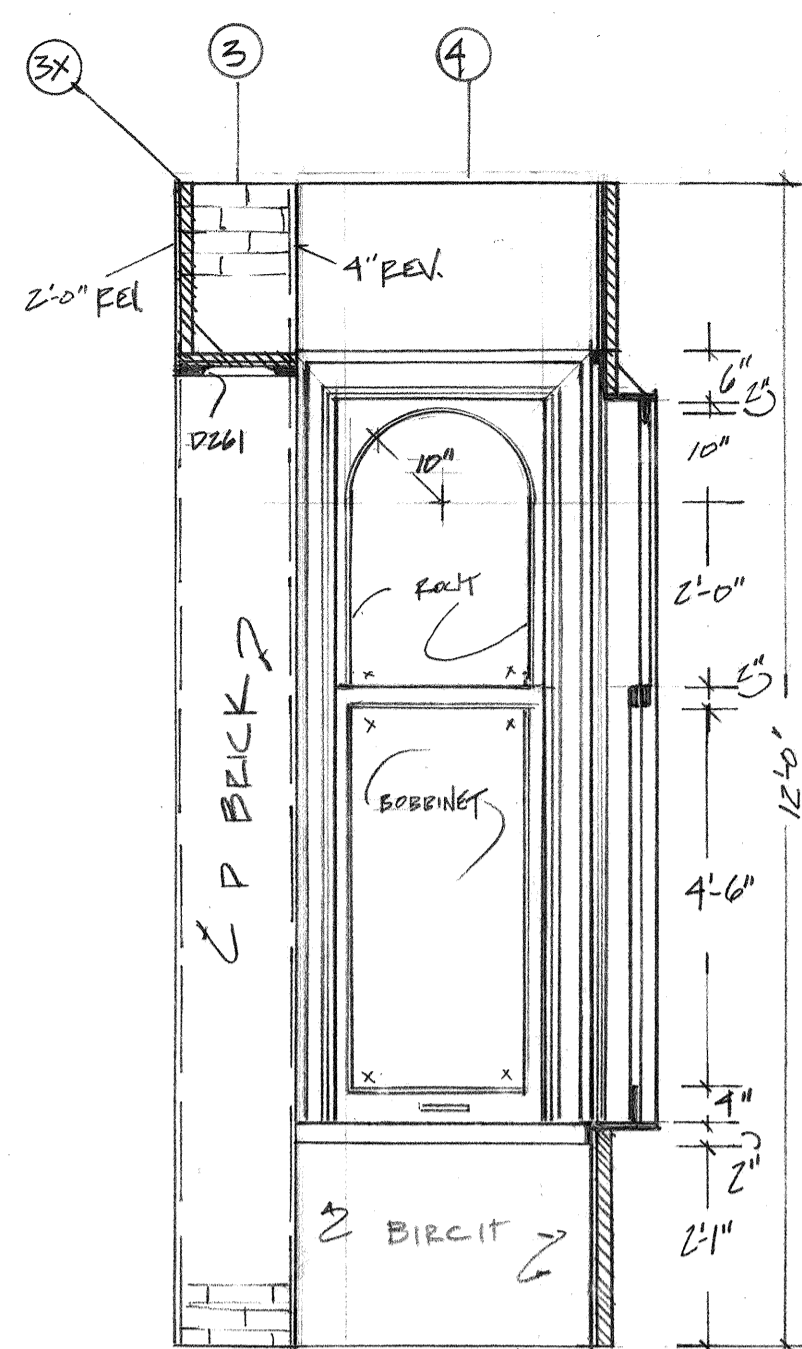
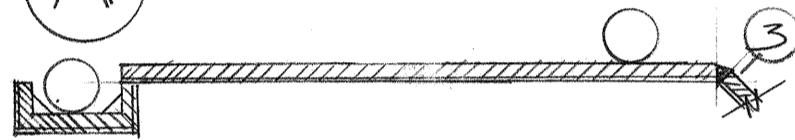
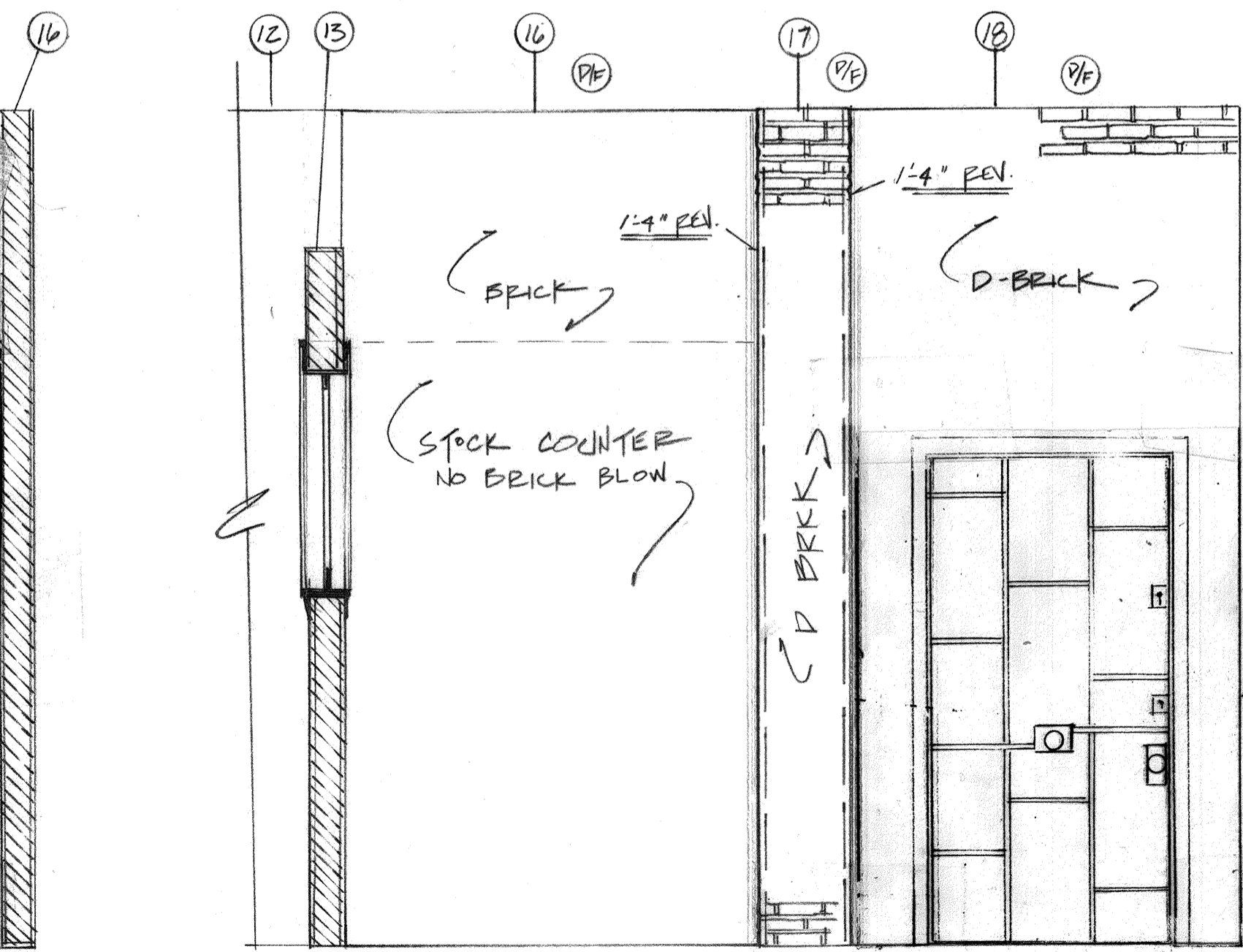
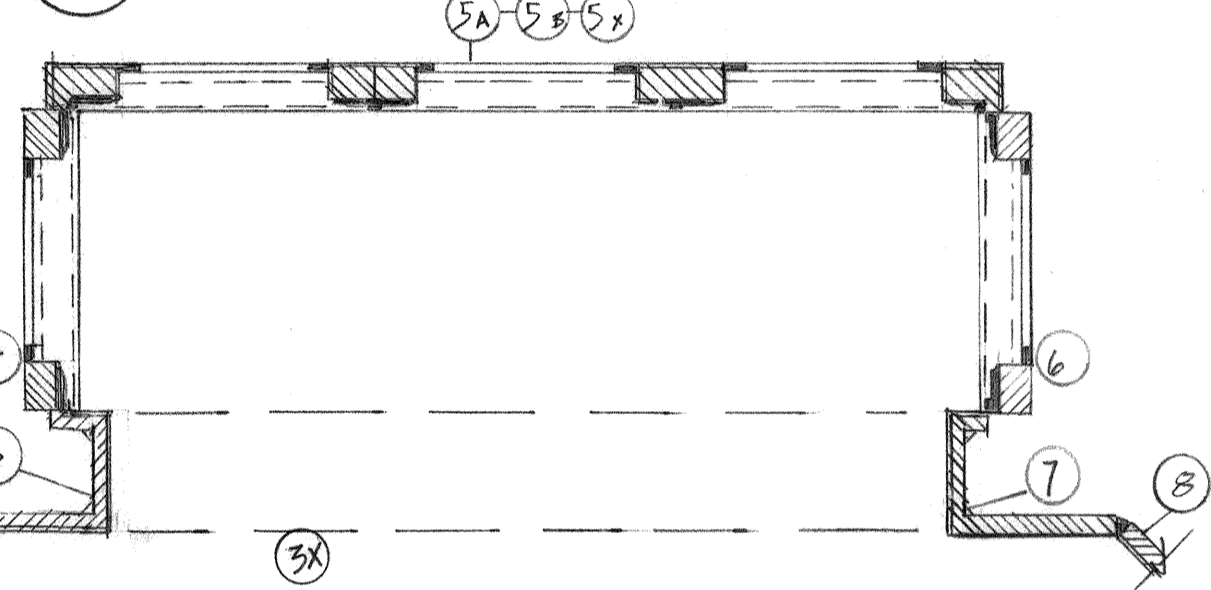


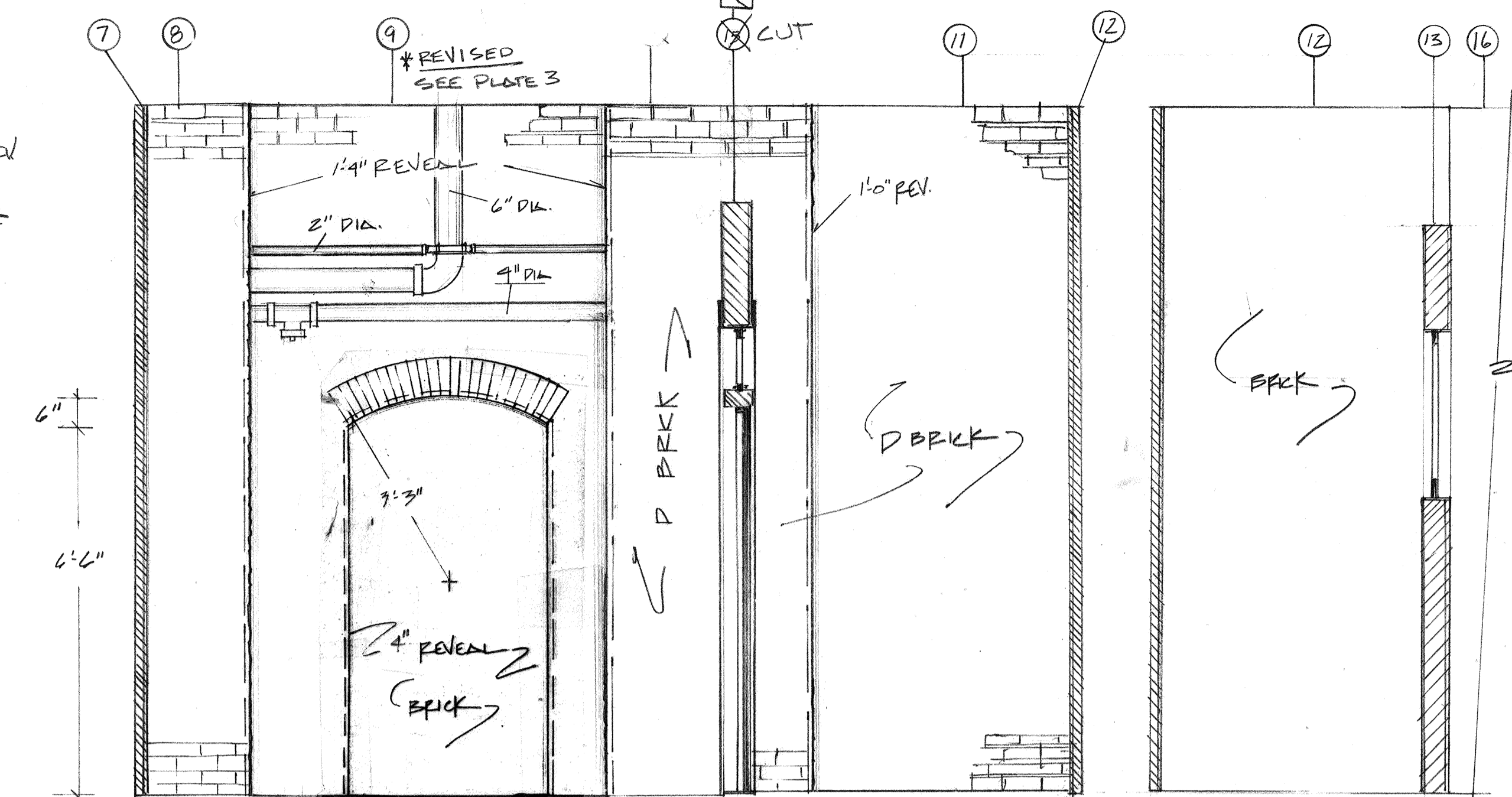
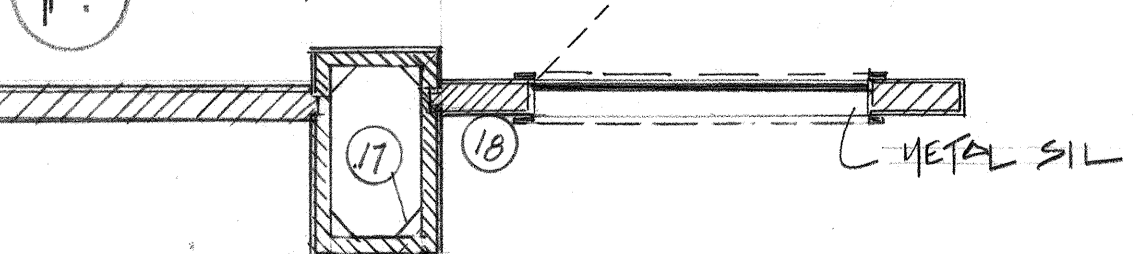
A SR WALL



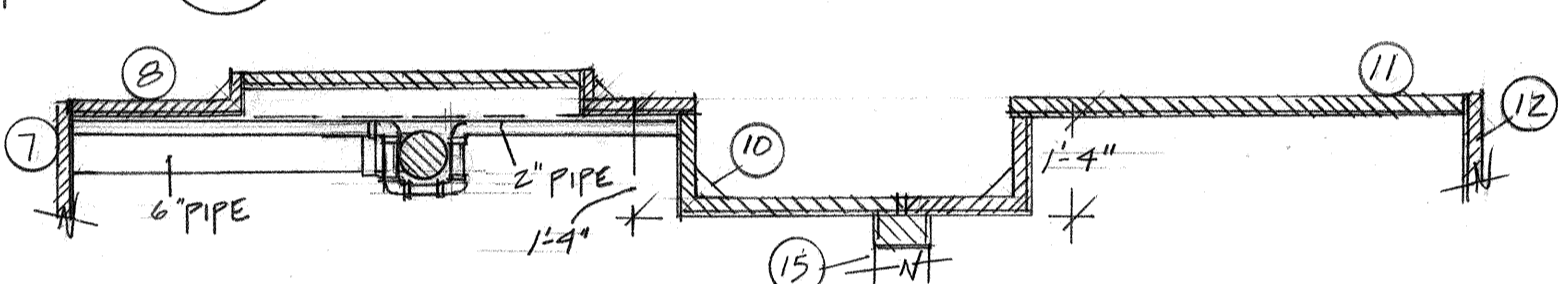
B US WINDOWS



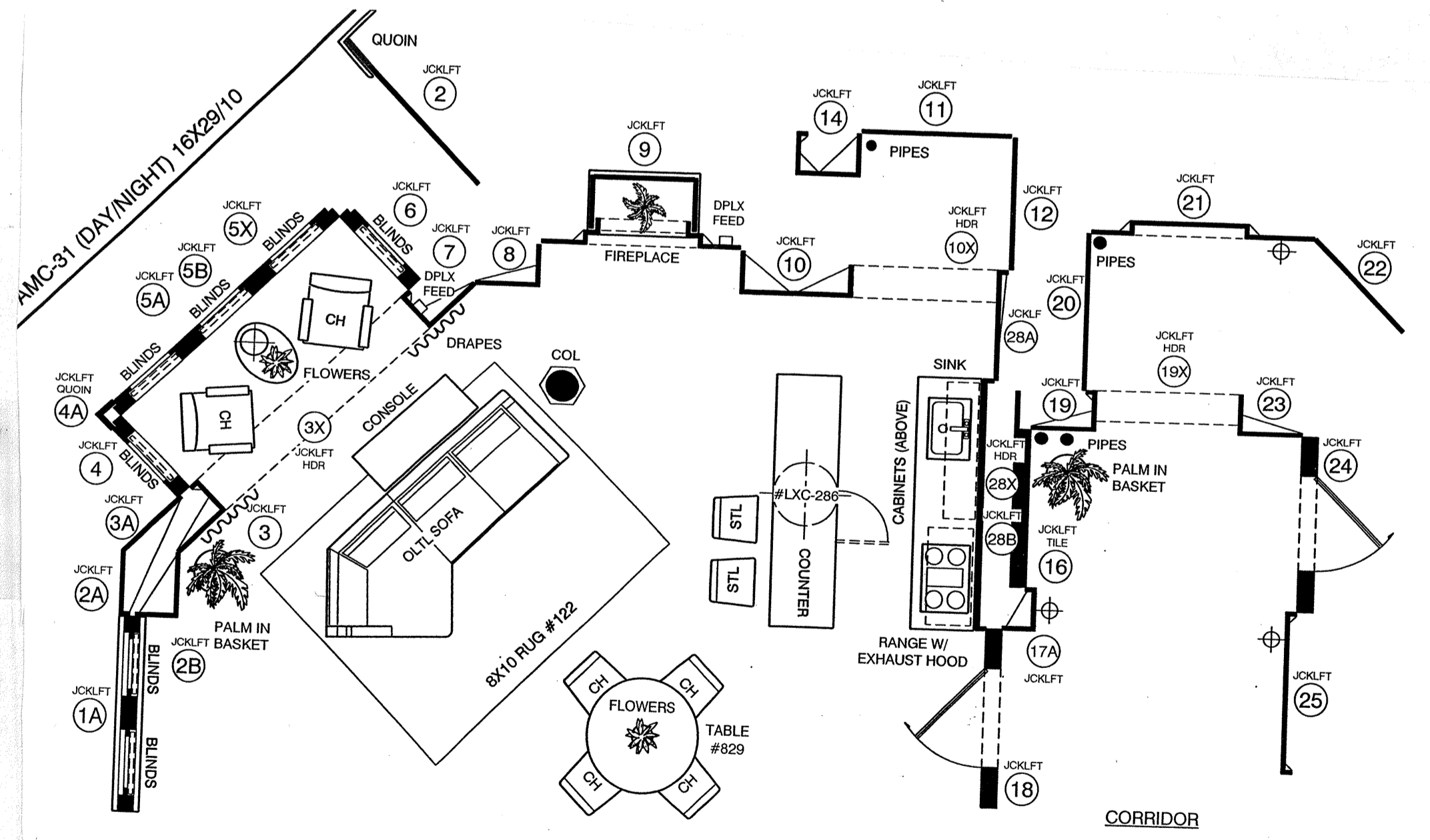
F ENTRANCE



C US DREHWAY



NOTE:  
SHOP TO MAKE PIPES  
FOR UNIT 9

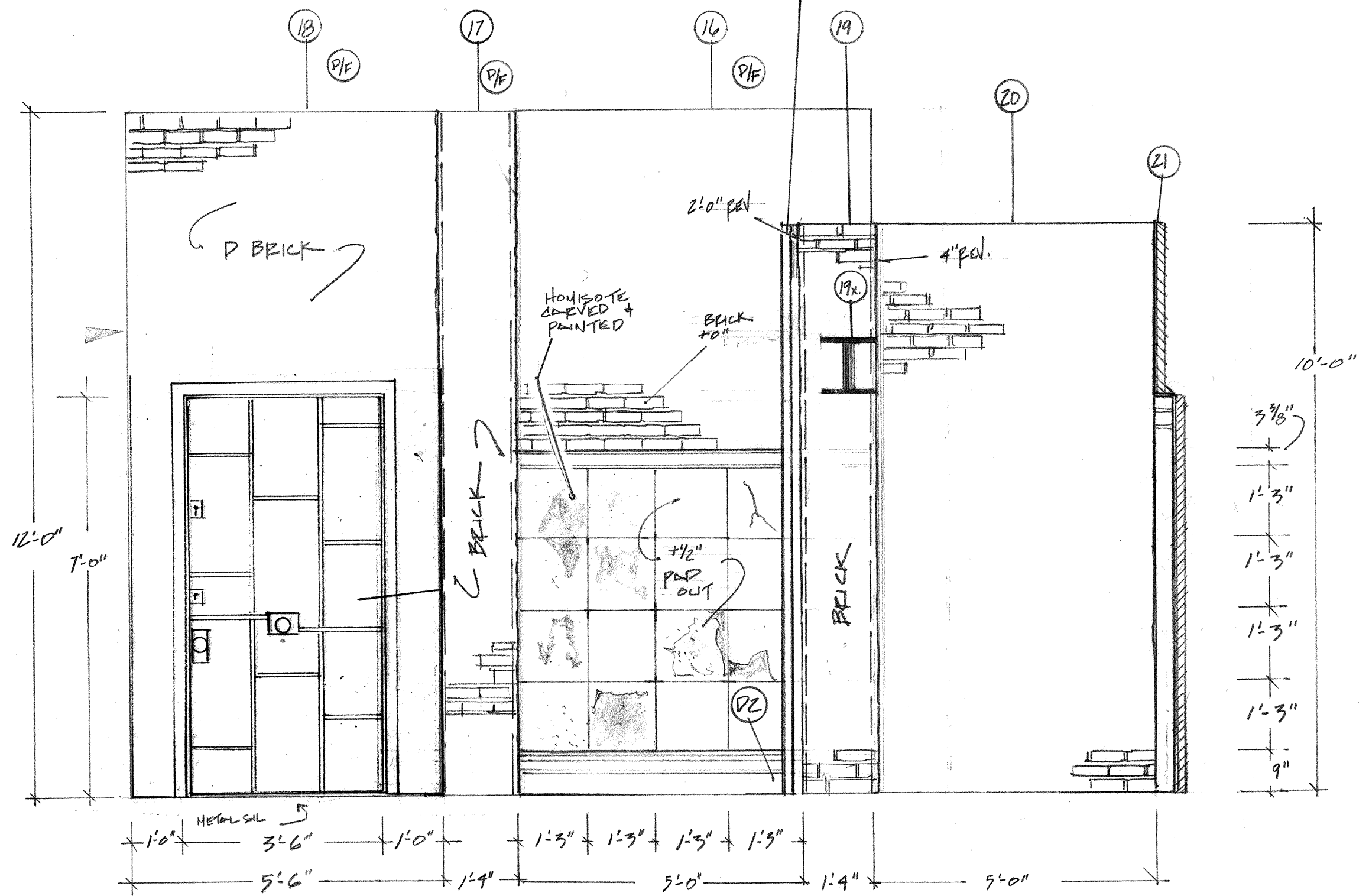


JACKSON LOFT AS:  
(MASTER)

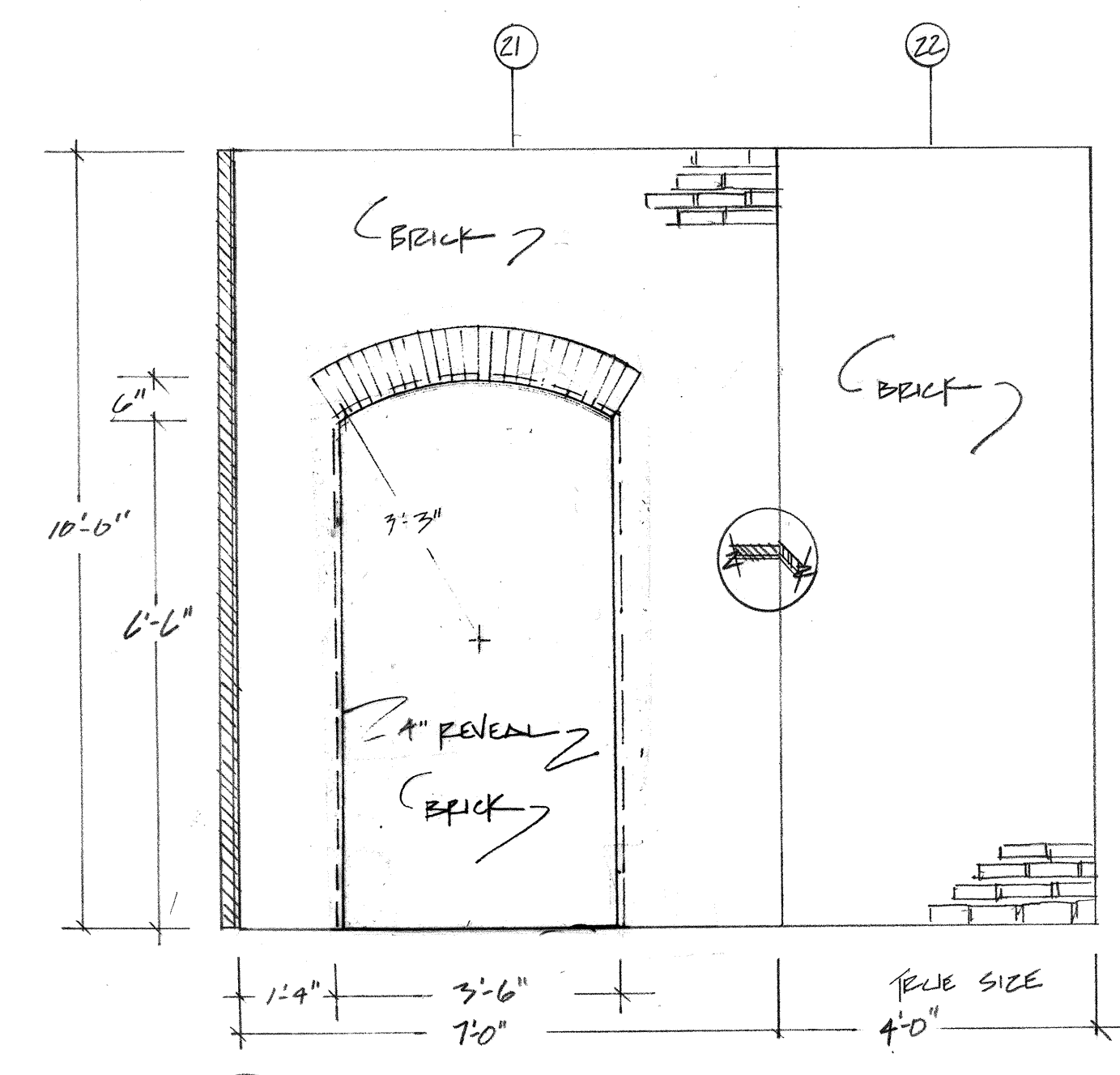
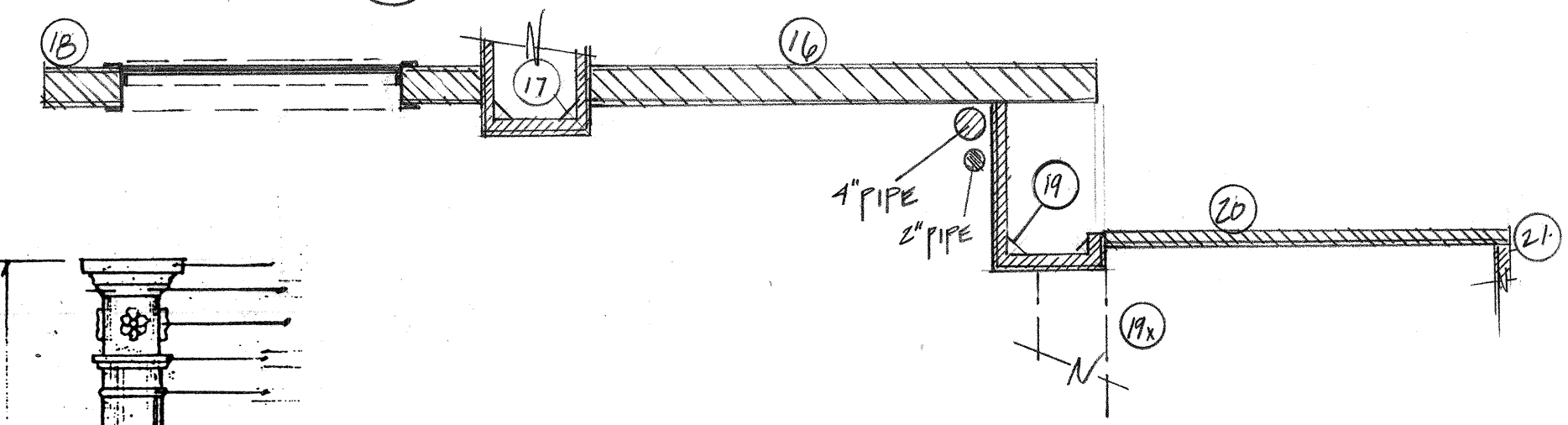
OLD JAKE'S LOFT #9  
TILE MATCHES JACKS LOFT #16

<p>S.D. 1104 SCENIC DESIGNER</p>	<b>AMERICAN BROADCASTING COMPANIES</b>		DRAWING NO.	
	PROD: ALL MY CHILDREN		STUDIO 23	
	SET: JACKSON'S LOFT		OF 3	
	SCALE: 1/2" = 1'-0"	DEL. DATE:	PROD. DATE:	
	DRAWN: 4-3-02	DESIGNER: R. MOONEY	DRAFTSMAN: M. FINEER	

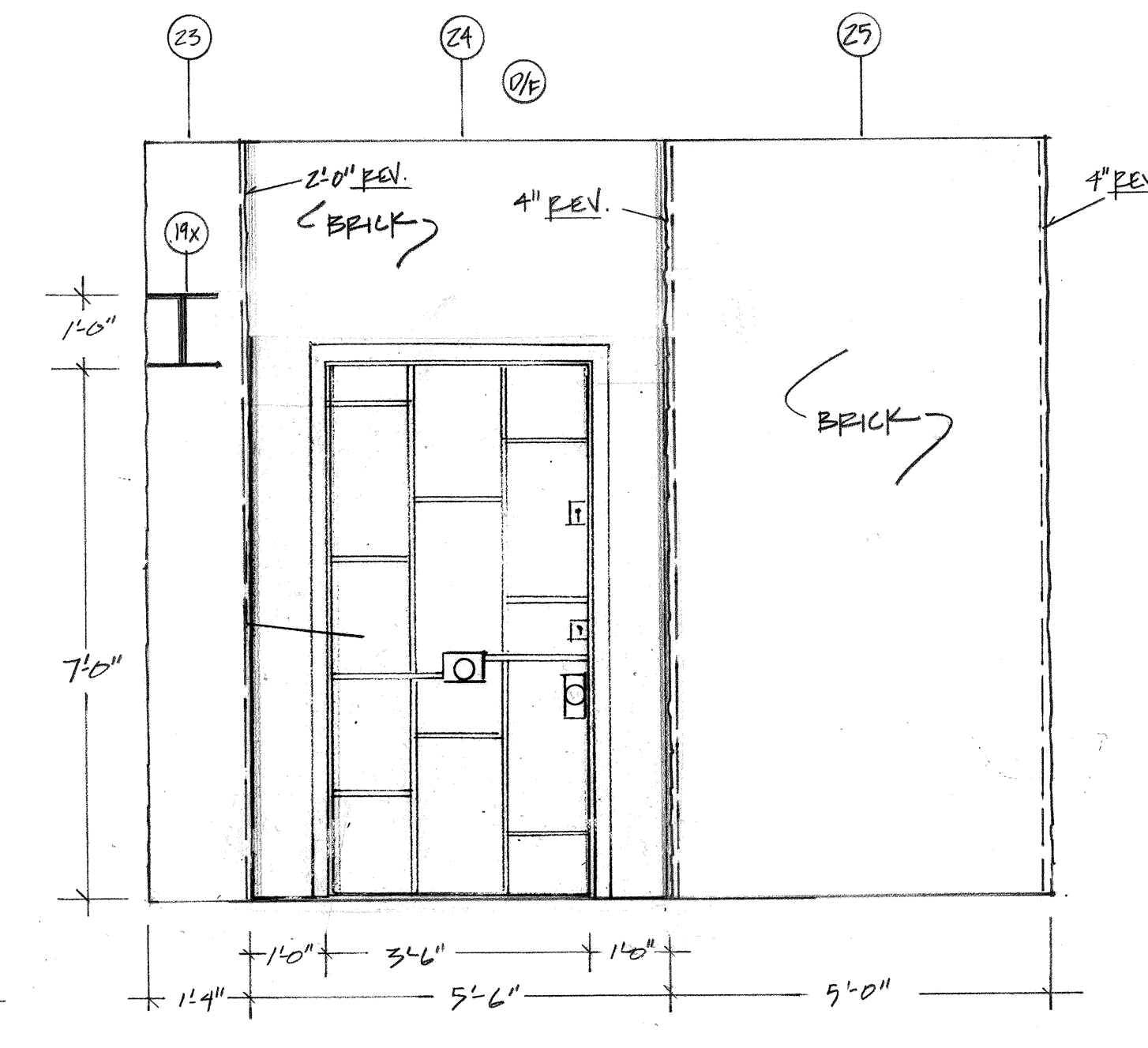
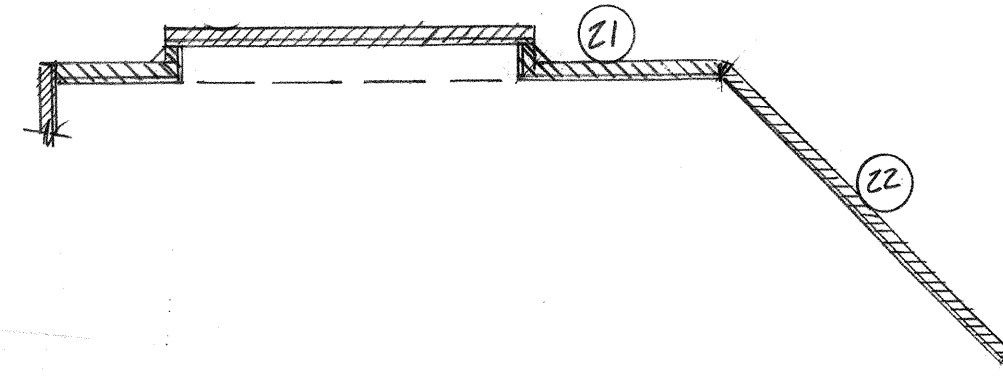
PIPES HANDY ON END



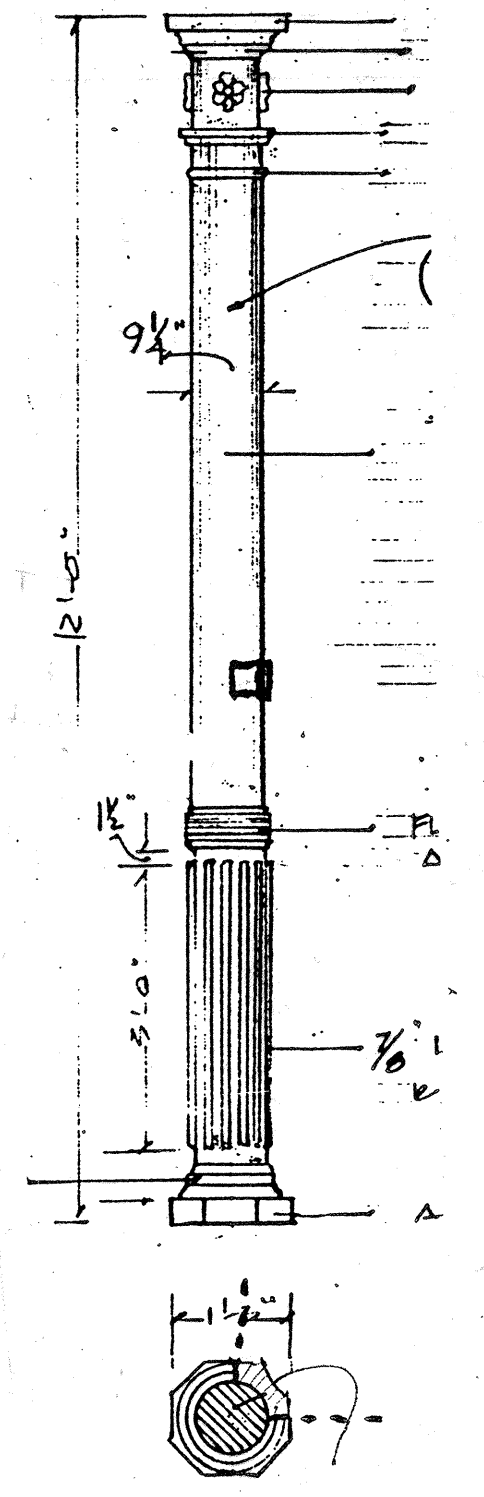
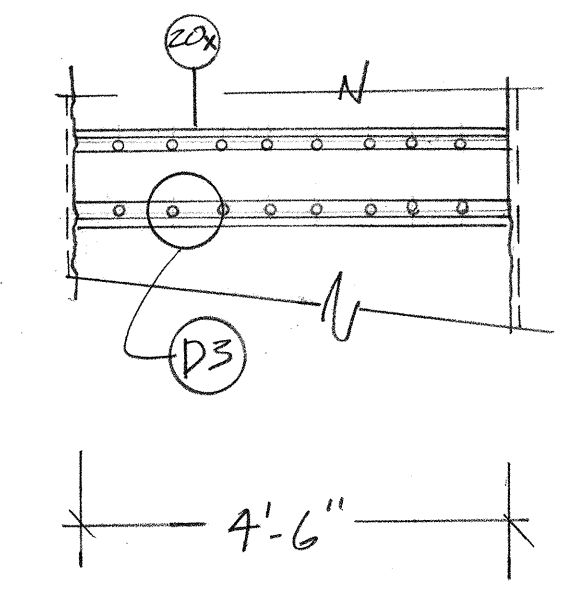
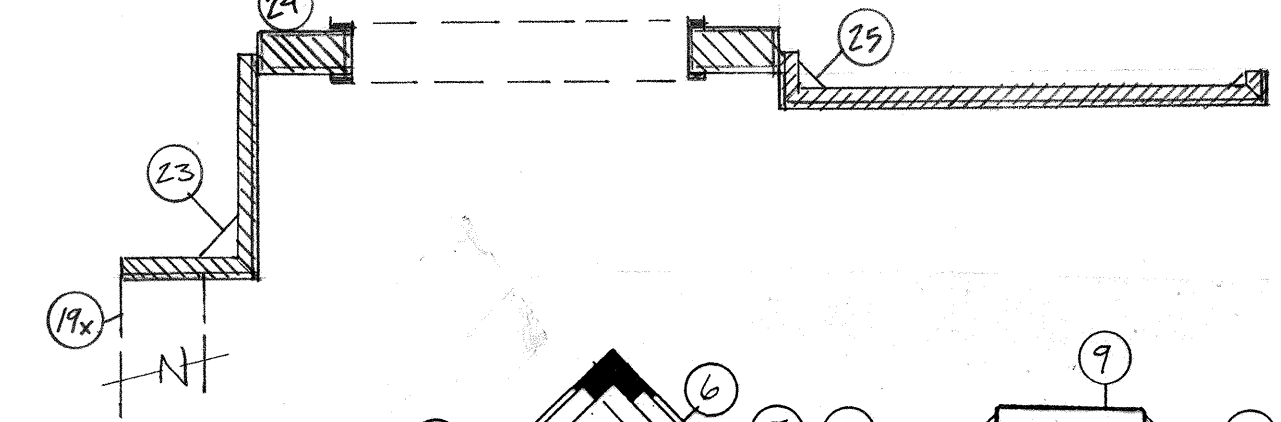
4 ENTRANCE HALLWAY SIDE  
SCALE 1/2"=1'-0"



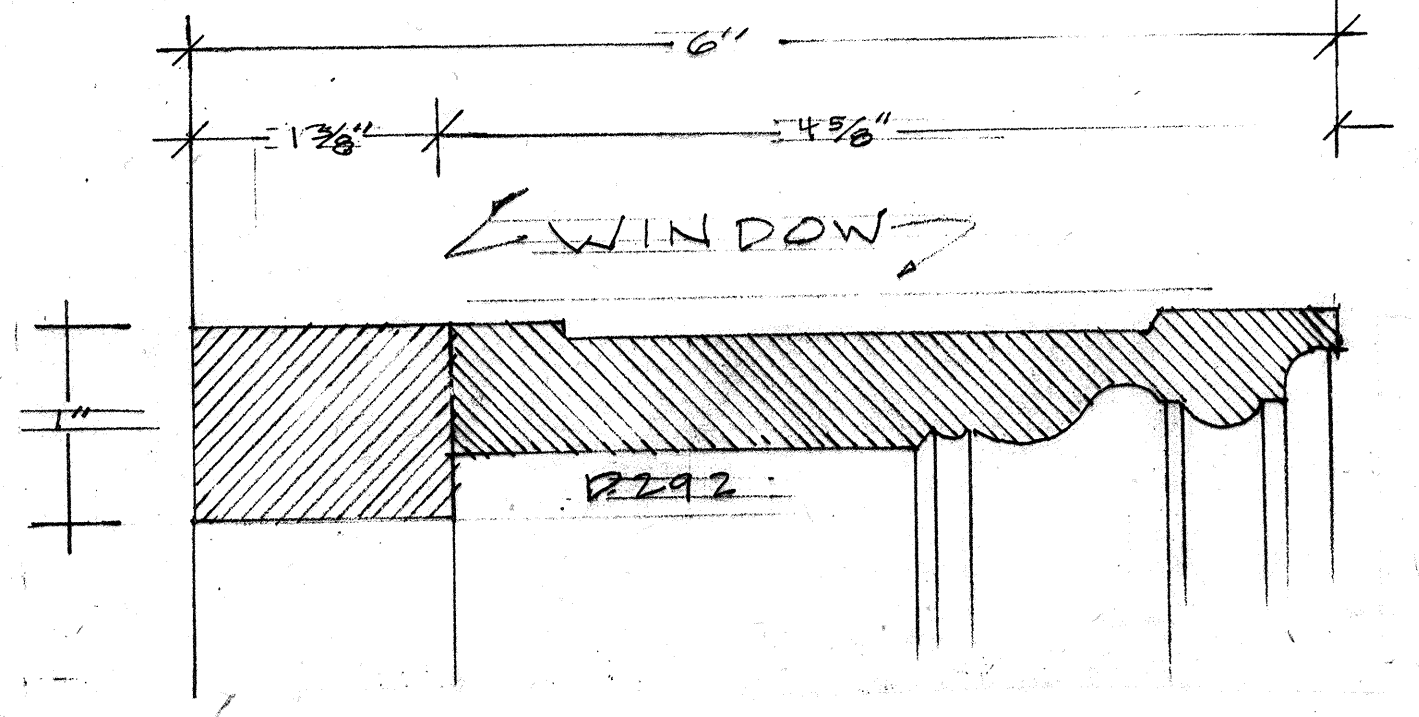
H. CLS HALLWAY  
SCALE 1/2"=1'-0"



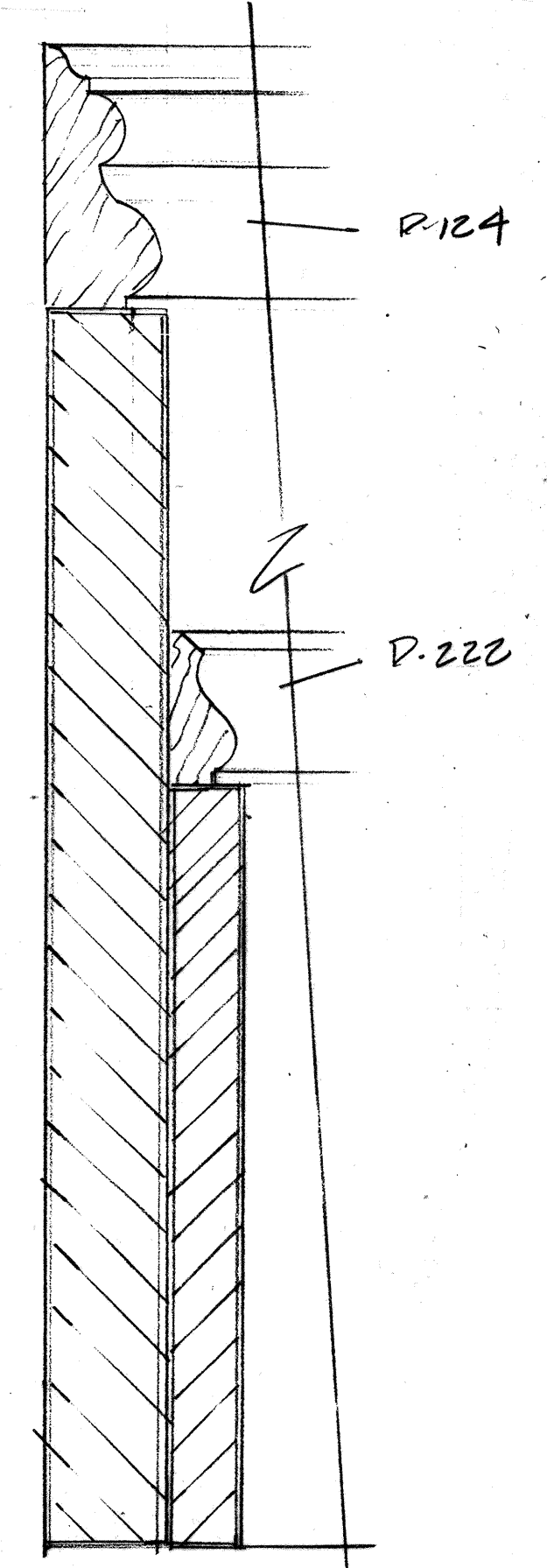
I SL DOOR  
SCALE 1/2"=1'-0"



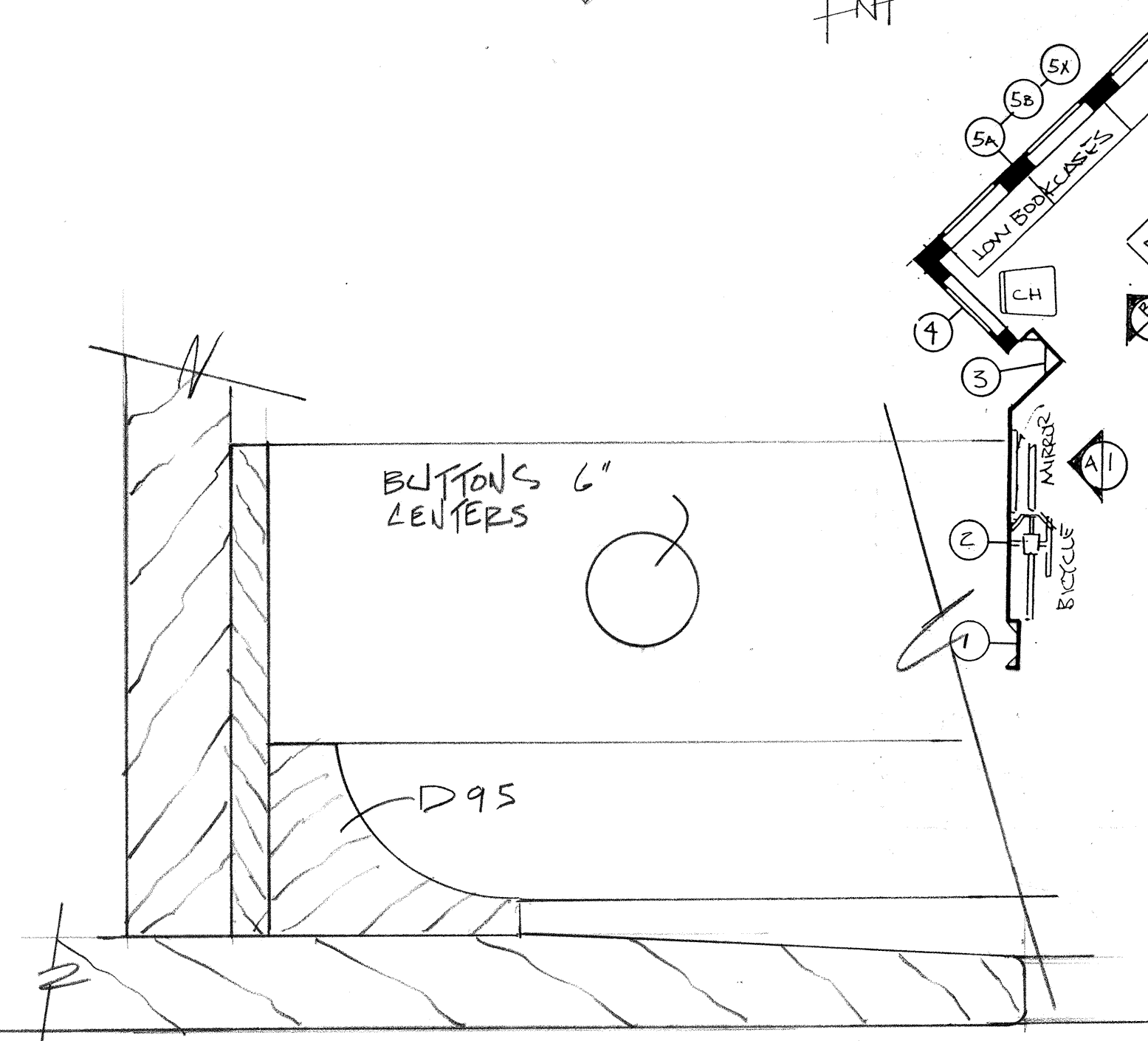
COLUMN  
MATCH EXISTING JAMES LOFT  
SCALE 1/2"=1'-0"



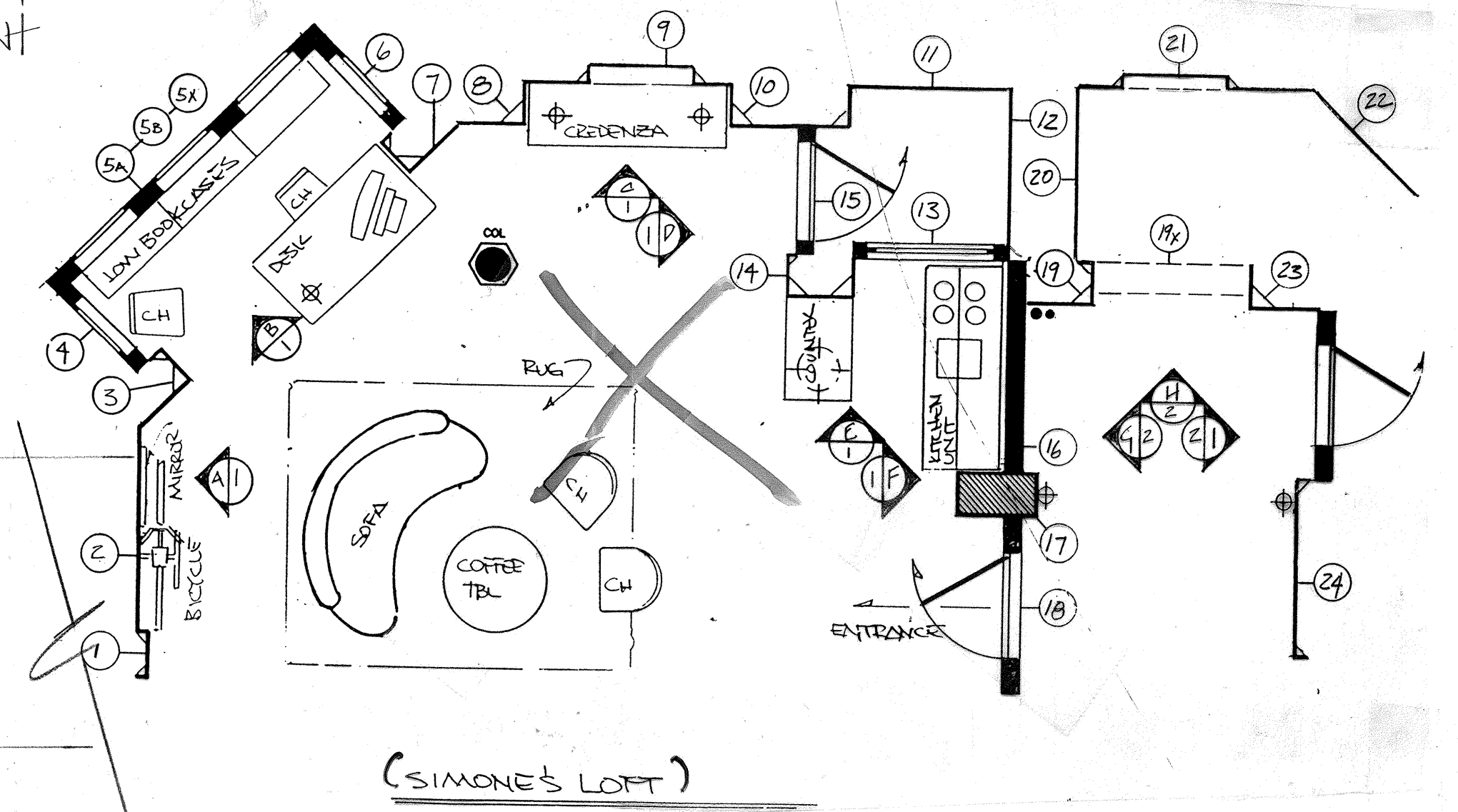
D1 WINDOW MOLDING DETAIL  
FULL SCALE



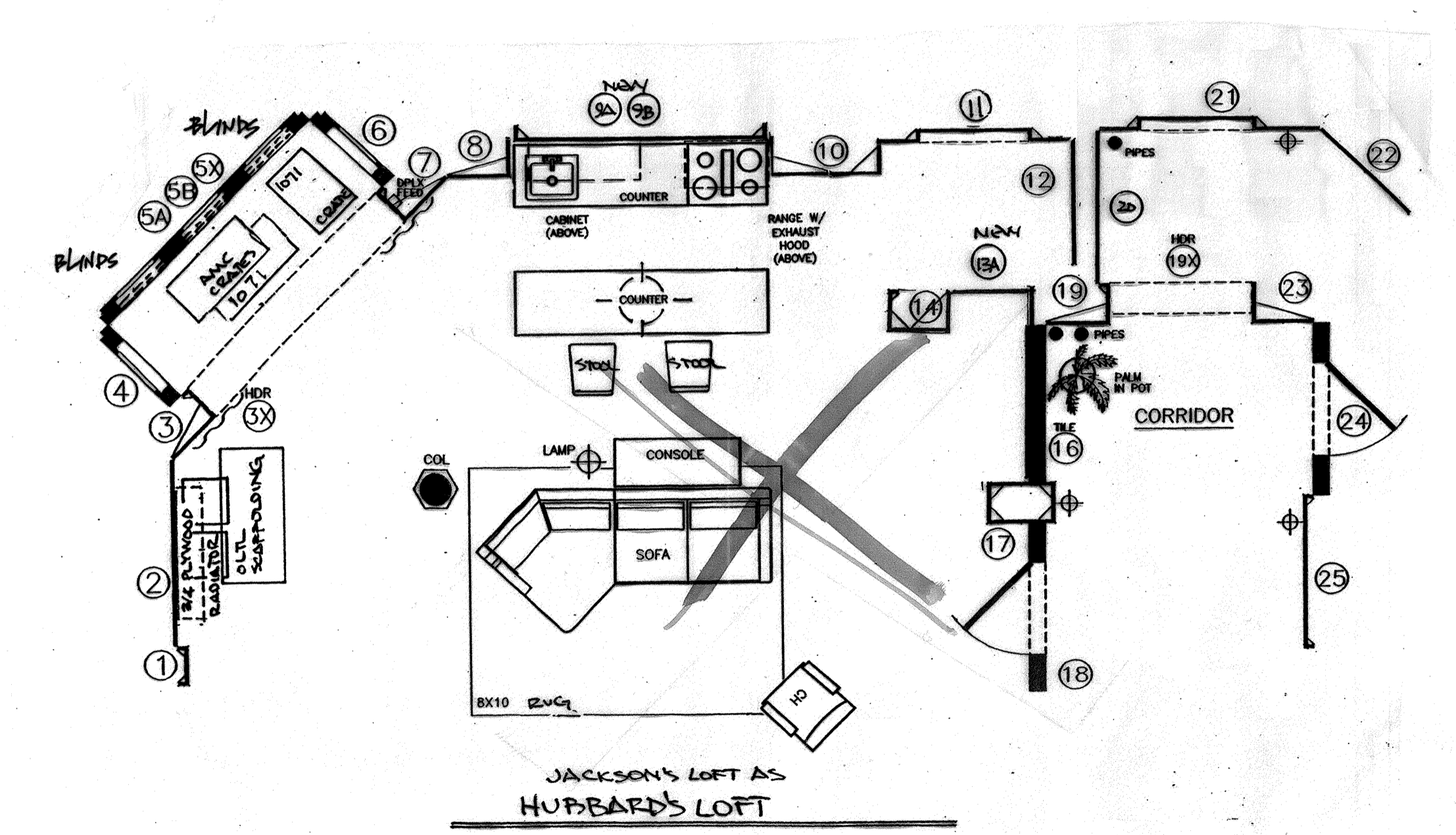
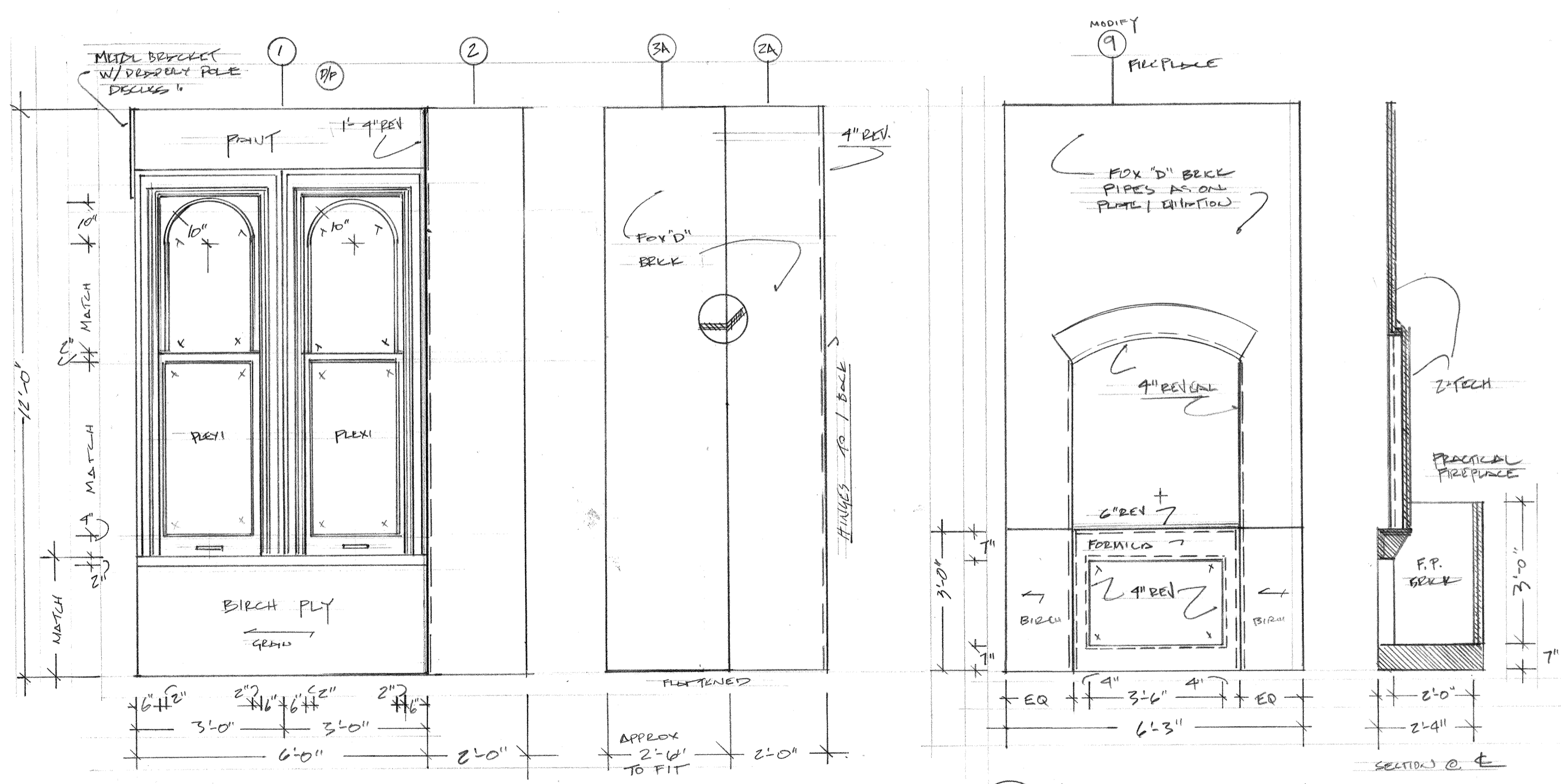
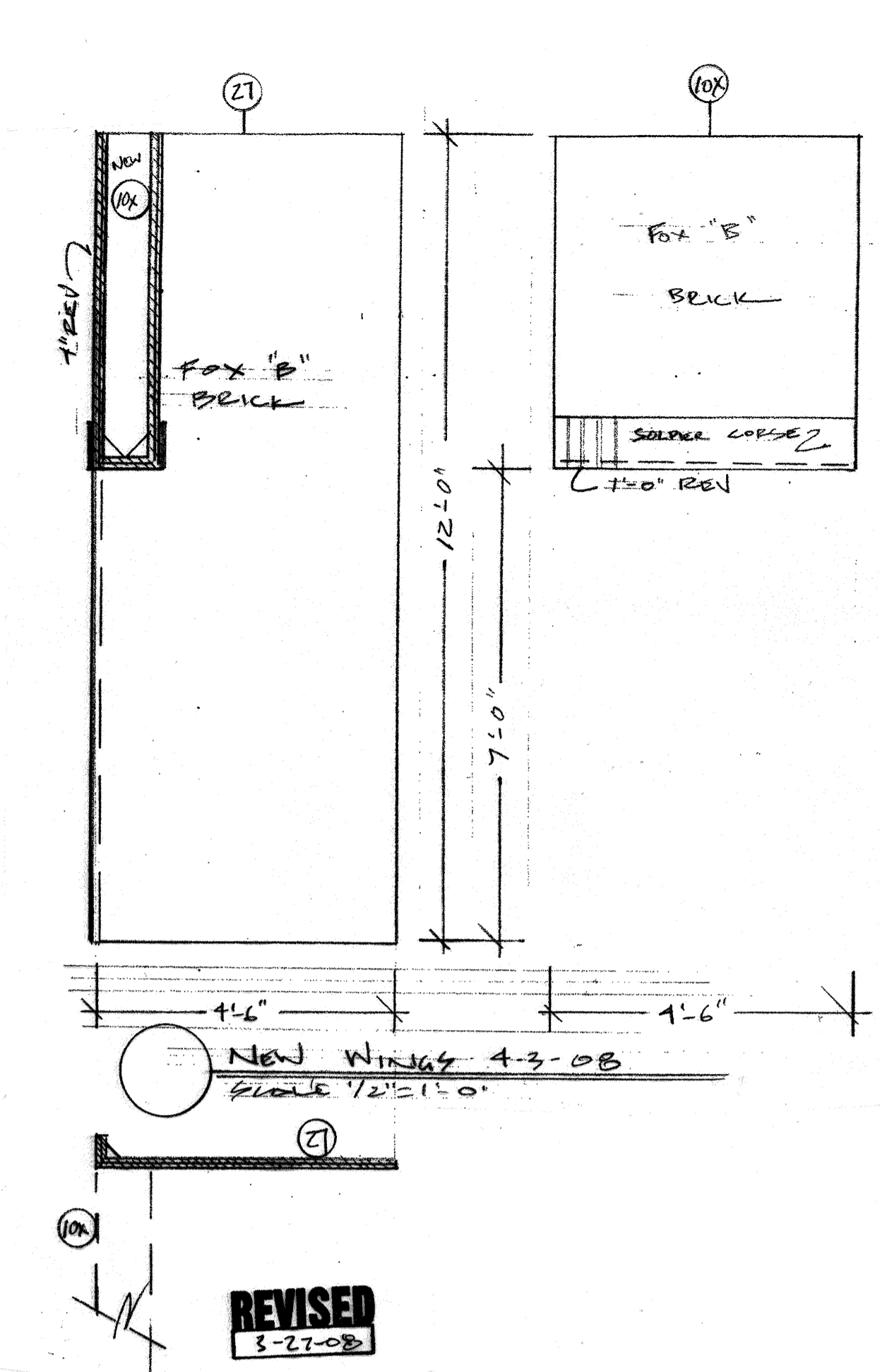
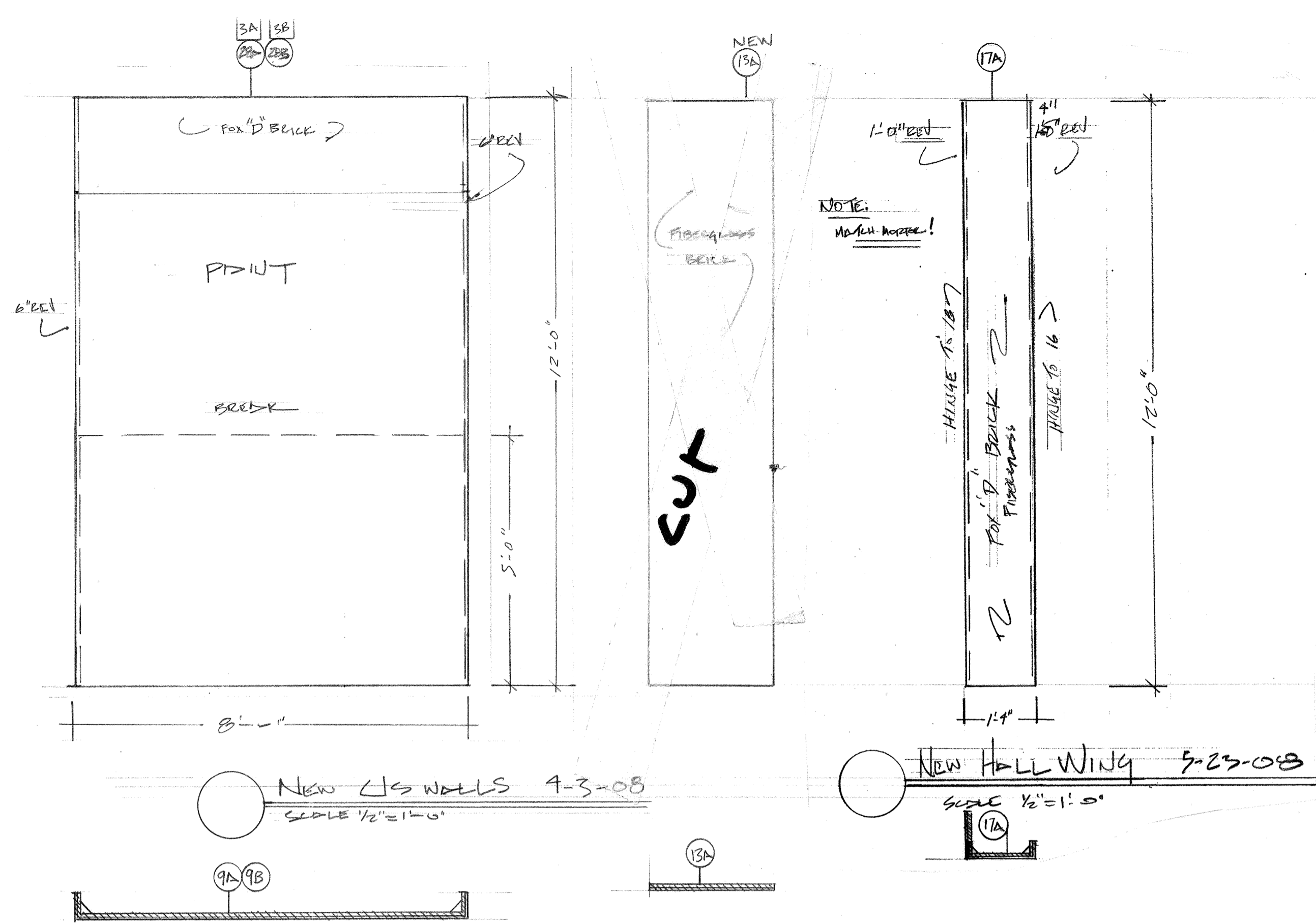
D2 BASE BOARD DETAIL  
FULL SCALE



D3 I BEAM DETAIL  
FULL SCALE

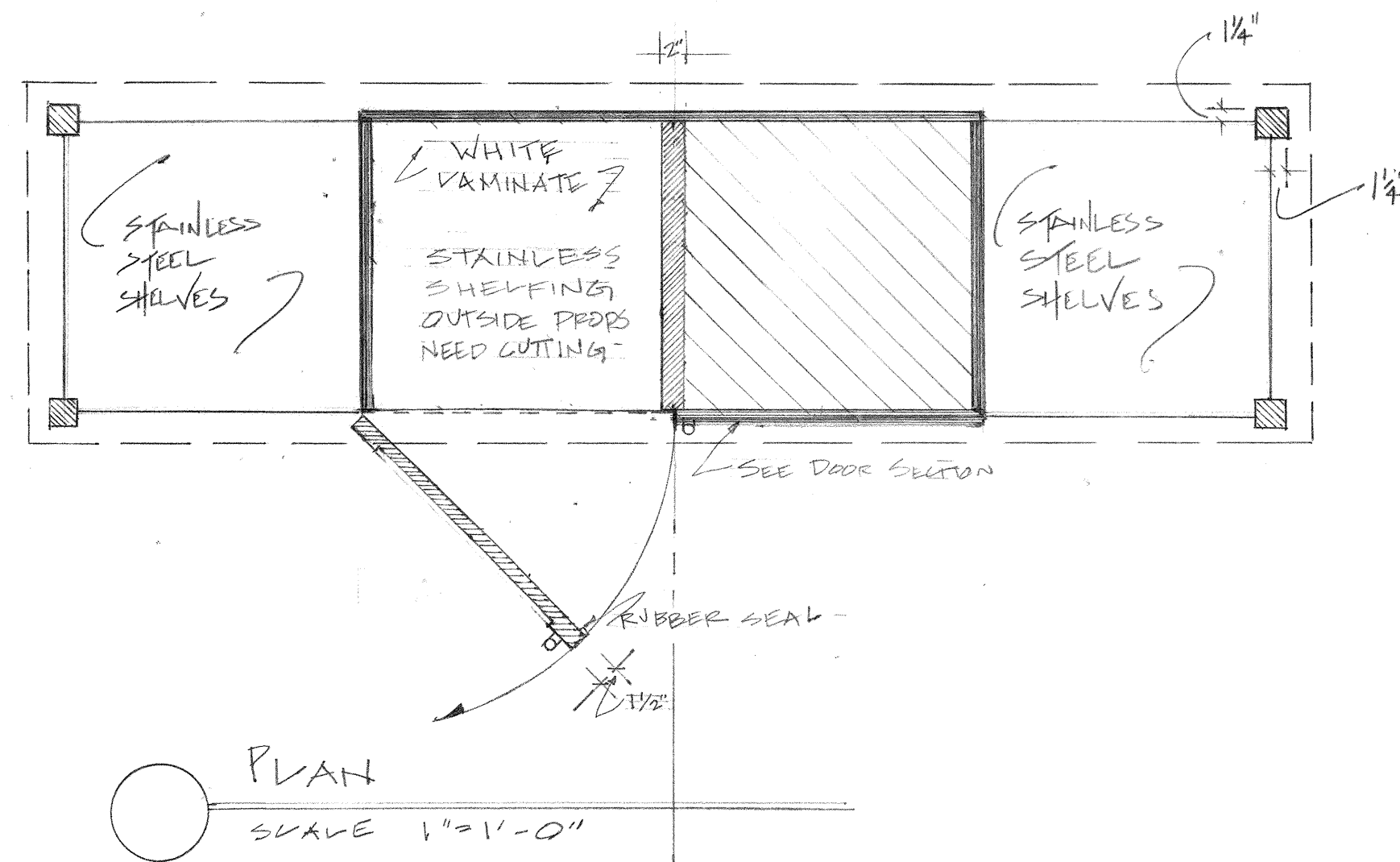
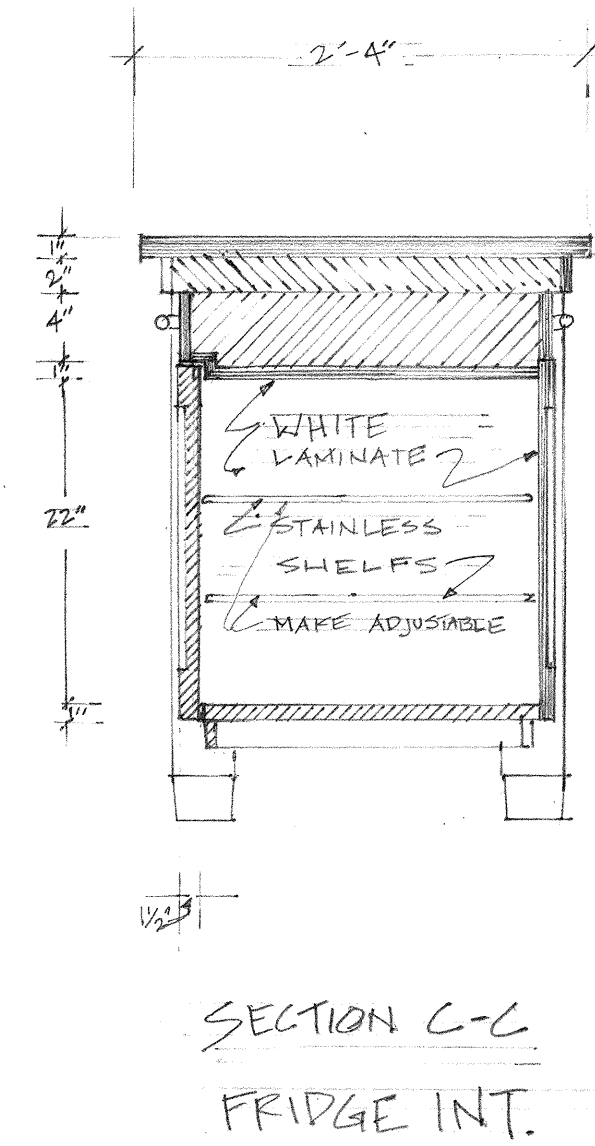
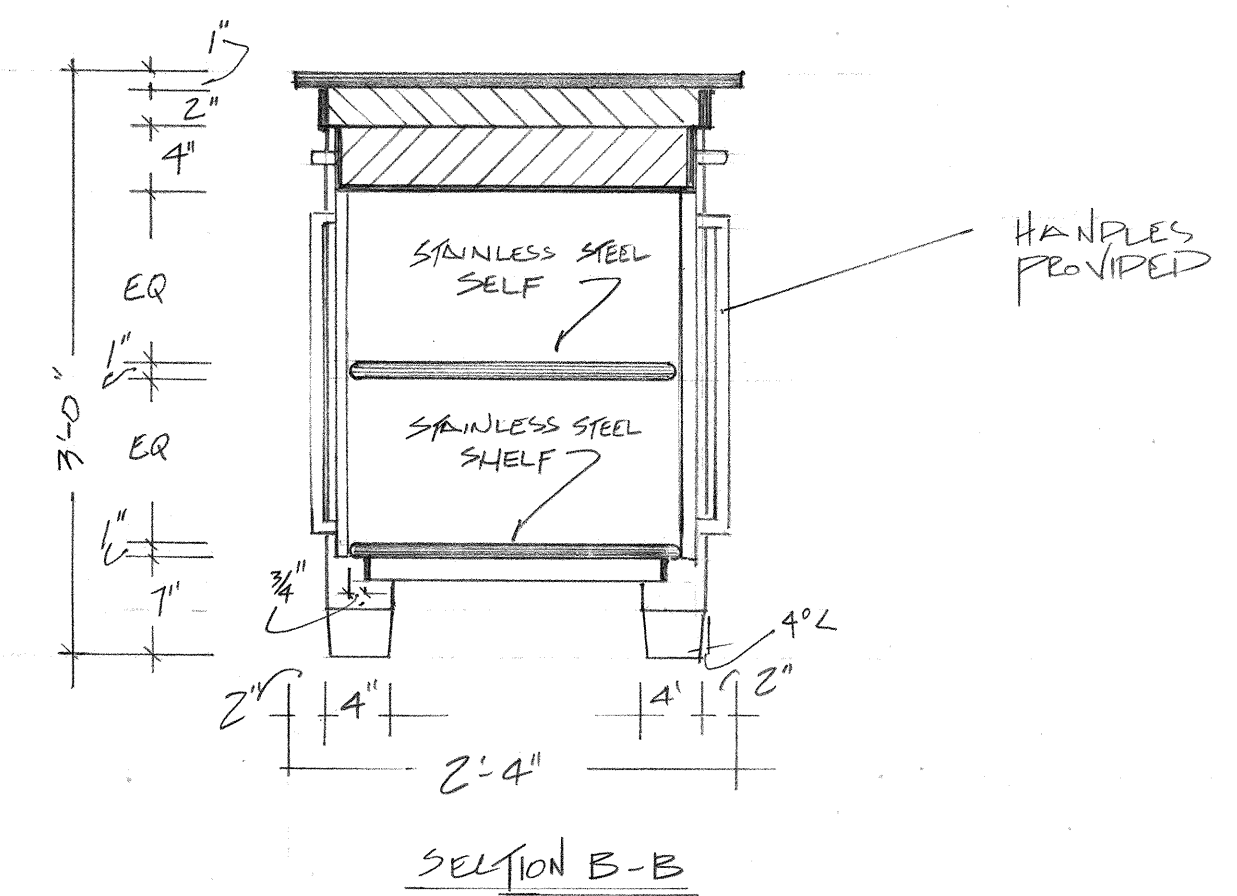
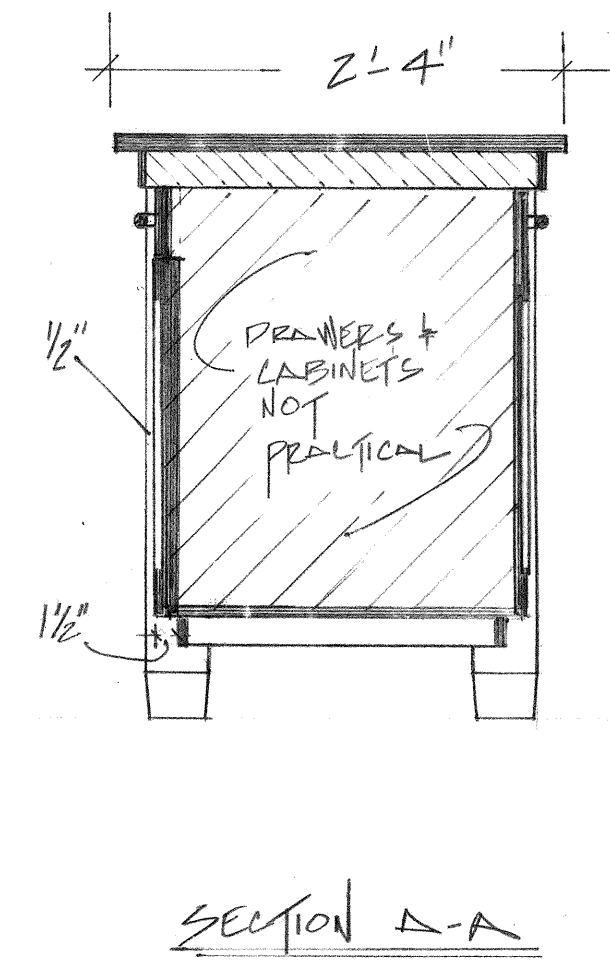
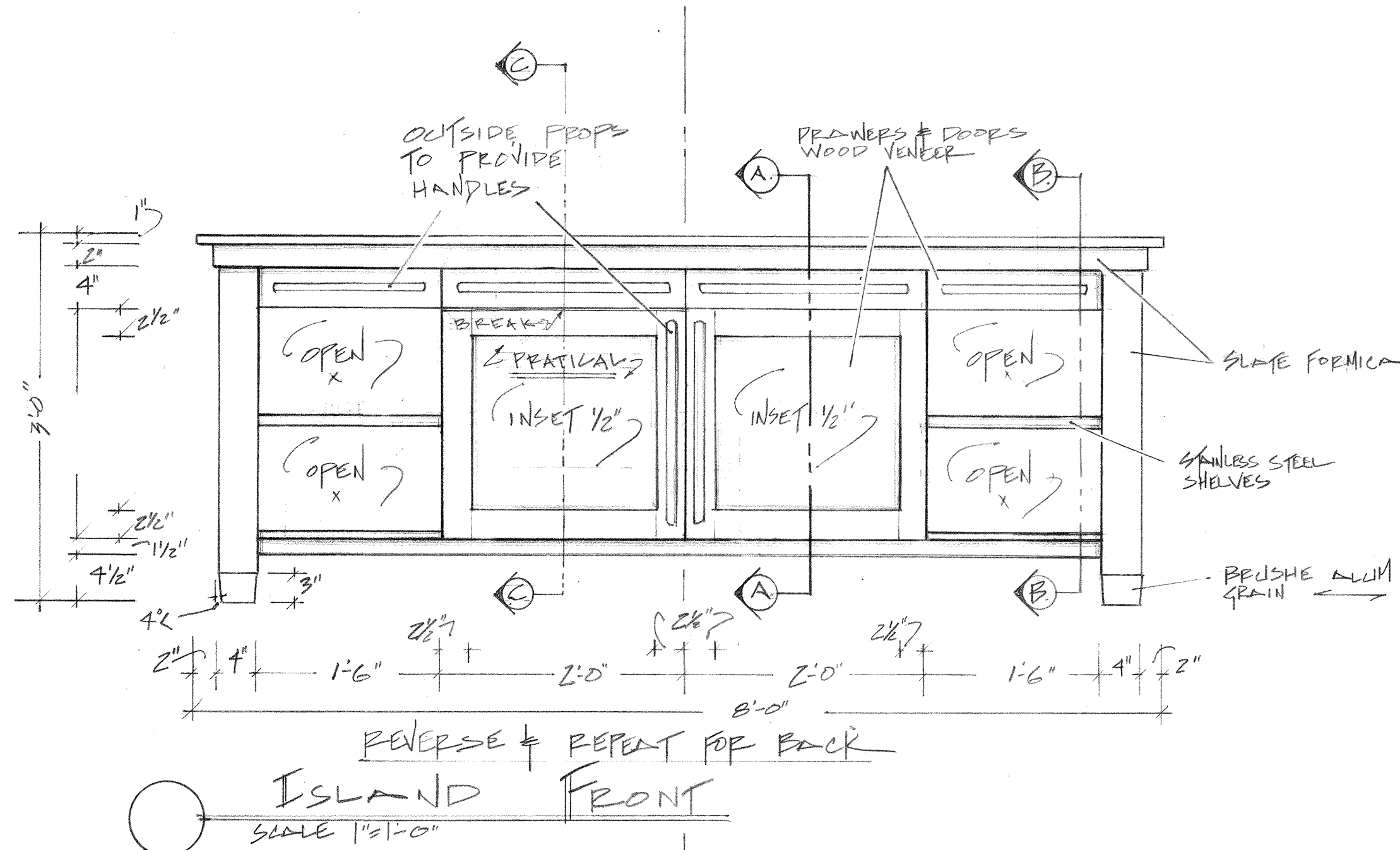
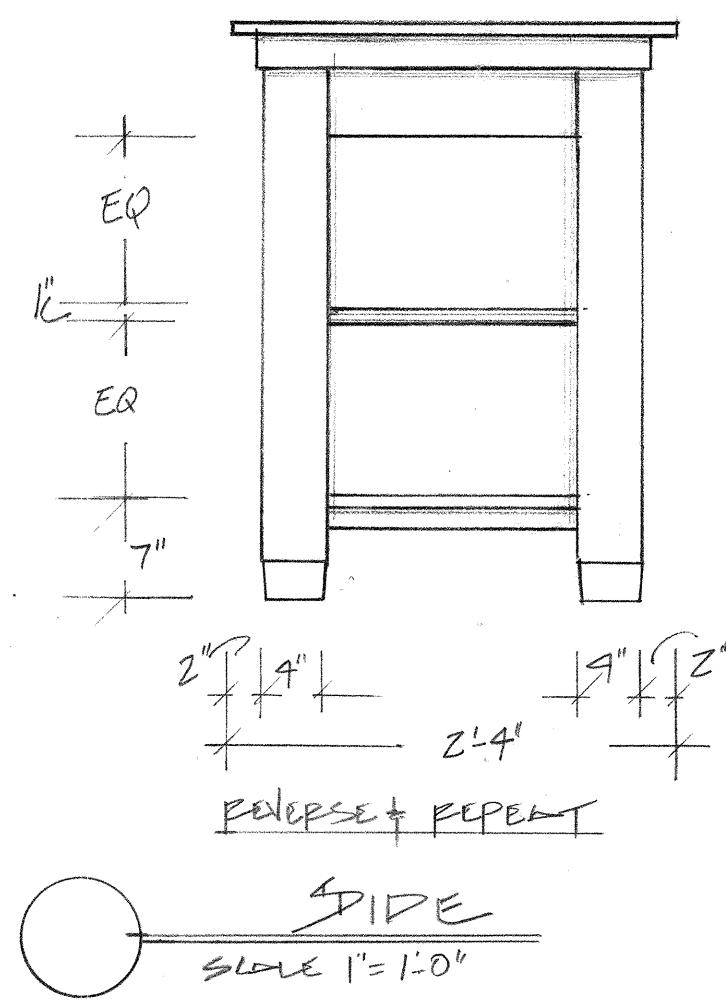


UNION STAMP  S.D. 1104 SCENIC DESIGNER SIGNATURE	AMERICAN BROADCASTING COMPANIES <b>abc</b>		DRAWING NO.	
	PROD: <b>ELL MY CHILDREN</b>		STUDIO TV <b>23</b>	
	SET: <b>JACKSON'S LOFT</b>			 OF 3
	SCALE: <b>NOTED</b>	DEL. DATE: <b>4-19-02</b>		
	DRAWN: <b>4-5-02</b>	PROD. DATE: <b>4-22-02</b>		
DESIGNER: <b>MAONET</b>		DRAFTSMAN: <b>FATHEP</b>		



**Laminates:**  
 ARPA:  
 Magnetite: 2205 Matte

UNION STAMP  S.D. 1104 STUDIO DESIGNER 	<b>AMERICAN BROADCASTING COMPANIES abc</b>		DRAWING NO. 3
	PROD: ALL MY CHILDREN		STUDIO TV 23
	SET: JACKSON'S LOFT		OF 3
	SCALE: 1/2"=1'-0"	DEL. DATE: 4-3-08	
	DRAWN: 3-24-08	PROD. DATE: 4-4-08	
DESIGNER: R. MOWLEY		DRAFTSMAN: M. FARRER	

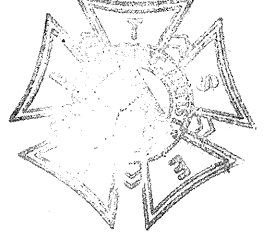



**Laminates:**

Formica:  
White: 918 - 58  
Laboratory Black: 840-58

ARPA:  
Magnetite: 2205 Matte

**REVISED**  
9/10/01

 S.D. 1104 SCENIC DESIGNER SIGNATURE: <i>[Signature]</i>	<b>AMERICAN BROADCASTING COMPANIES</b> 		DRAWING NO.
	PROD: ALL MY CHILDREN		STUDIO TV
	SET: STOCK KITCHEN ISLAND - LOFT		
	SCALE: 1"=1'-0"	DEL. DATE:	
DRAWN: DATE: 8-2-01	PROD. DATE:		
DESIGNER: E. MOONEY	DRAFTSMAN: M. FAJER		OF 1

