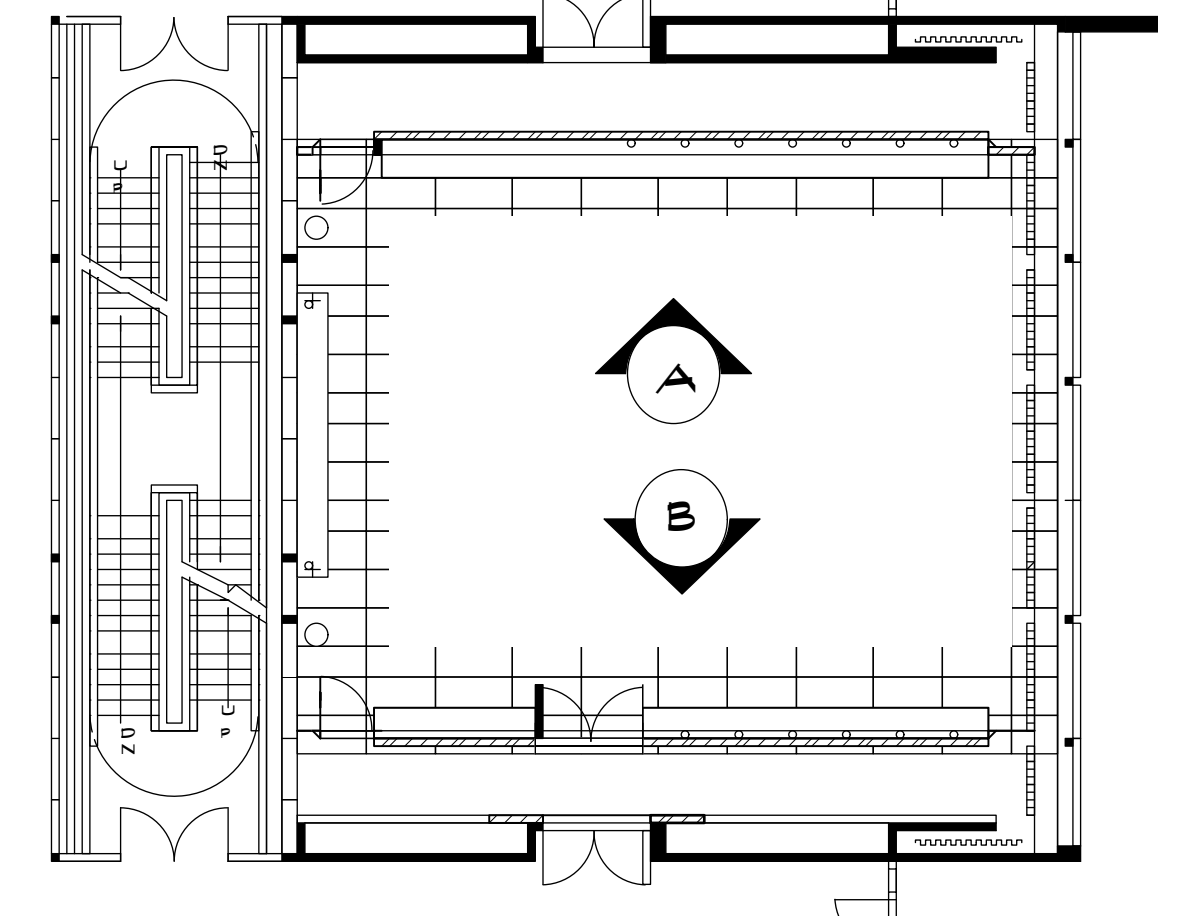
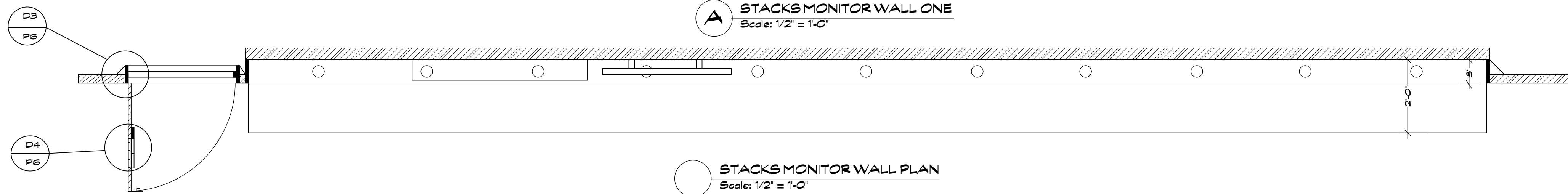
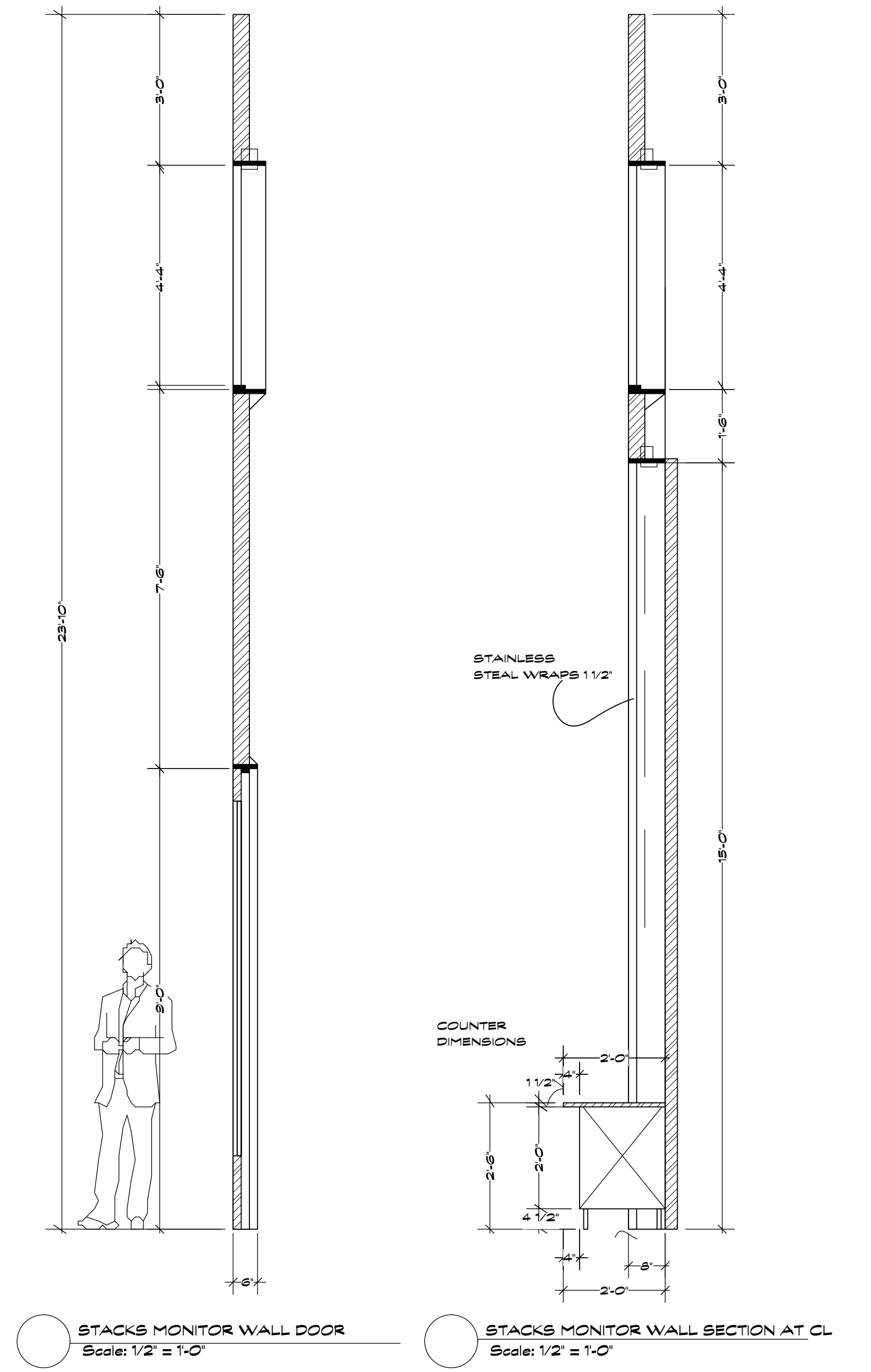
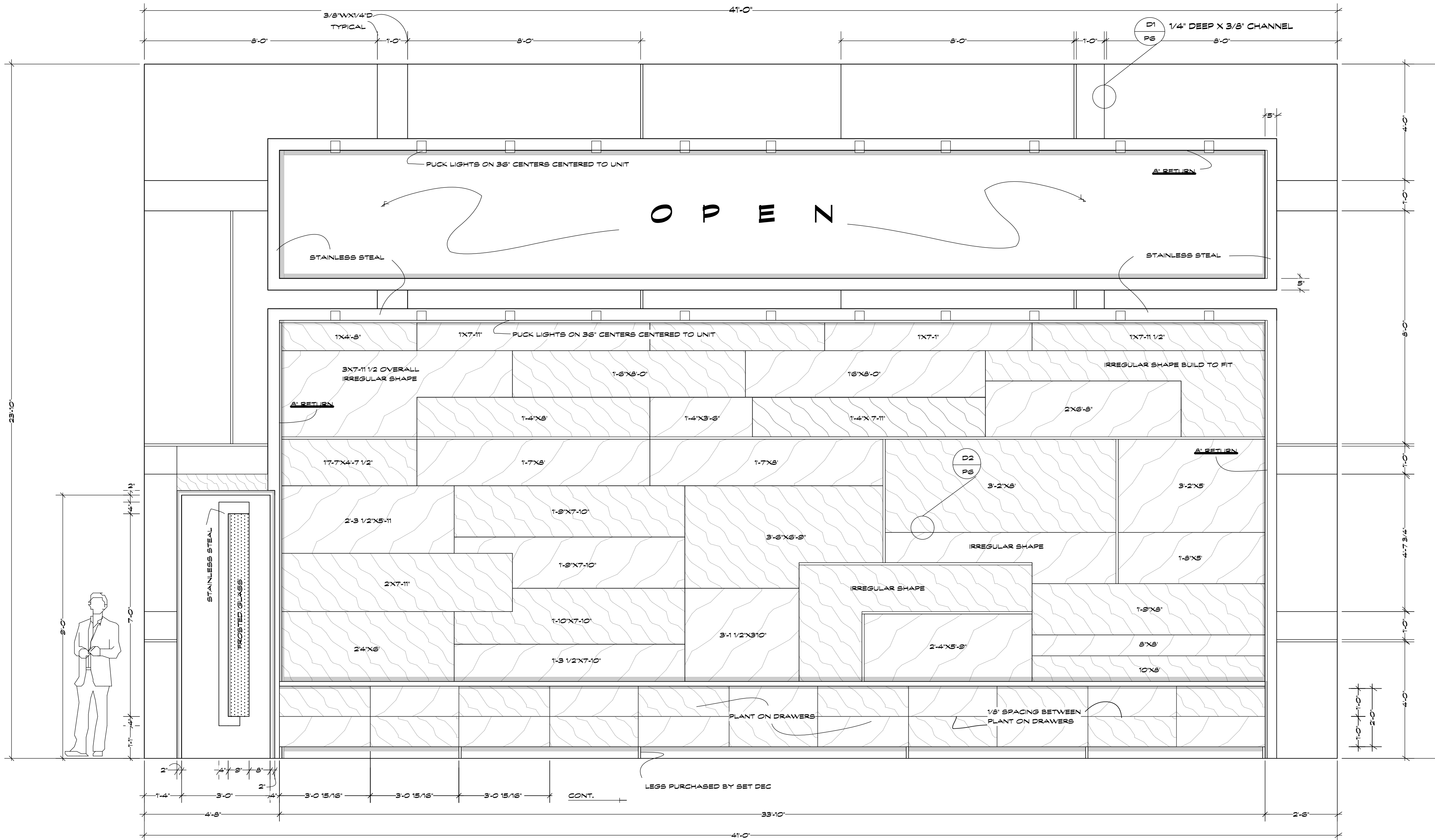


RELEASED 9/6/13

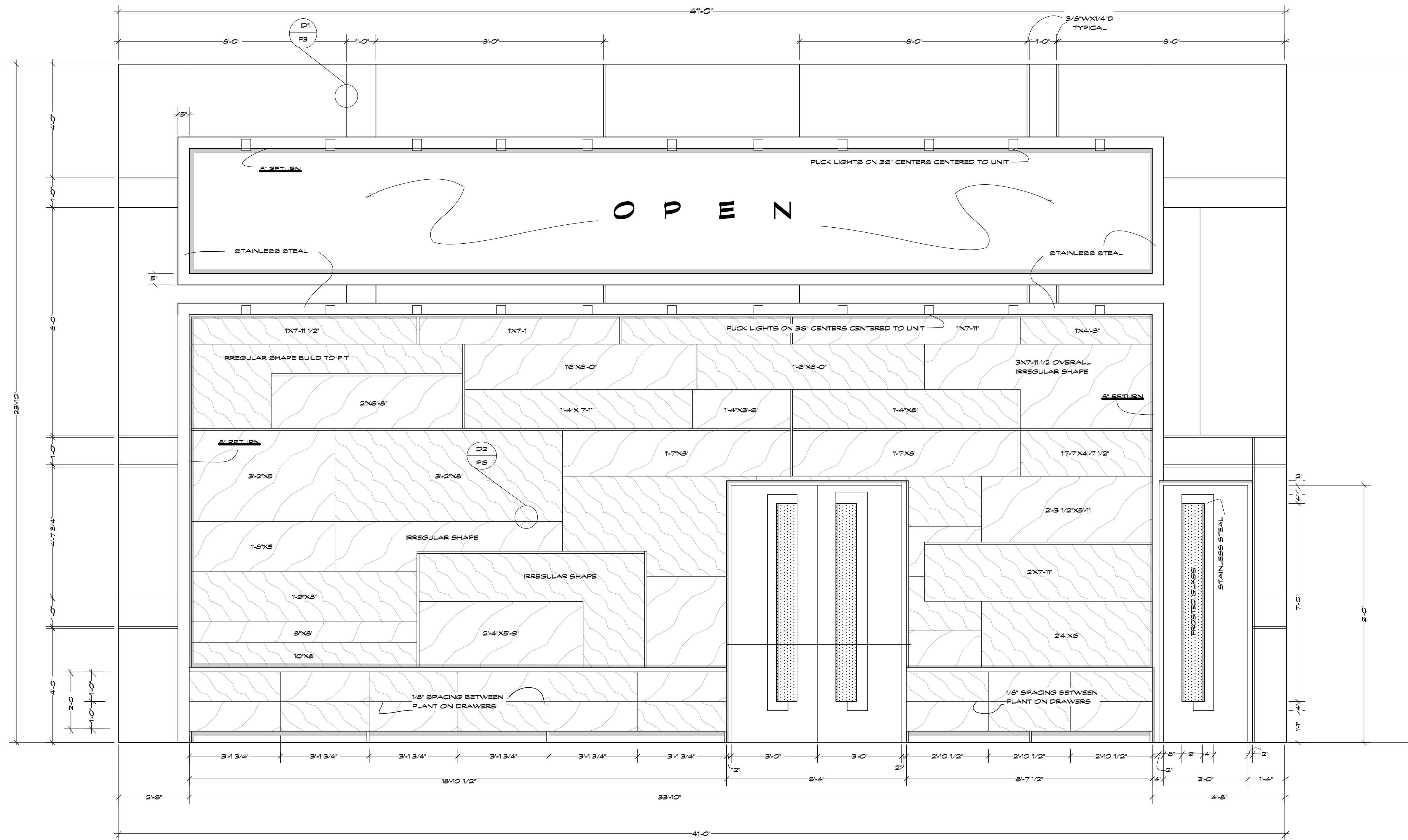
MOONQUAKE LAKE	Columbia Pictures Industries, Inc. Director/ Producer: Will Gluck Producer: James Lassiter Executive Producer: Celia Costas Production Designer: Marcia Hinds Art Director: Patricia Woodbridge	Set No: 20
		Sheet No: 01
Set Name:	Int. Stack's Office	Drwn: JKIM
Location:	John Jay College, Moot Court 860 11th Ave 6th	Scale: AS NOTED
Sheet:	DIRECTOR'S PLAN	Date: 07/29/13



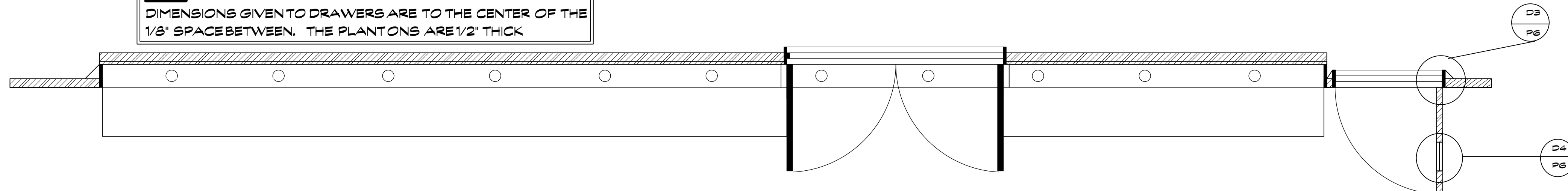
NOTE:
DIMENSIONS GIVEN TO DRAWERS ARE TO THE CENTER OF THE 1/8" SPACE BETWEEN. THE PLANTONS ARE 1/2" THICK

PLAN - SCALE 3/32" = 1'-0"
REVISED 9/10/13

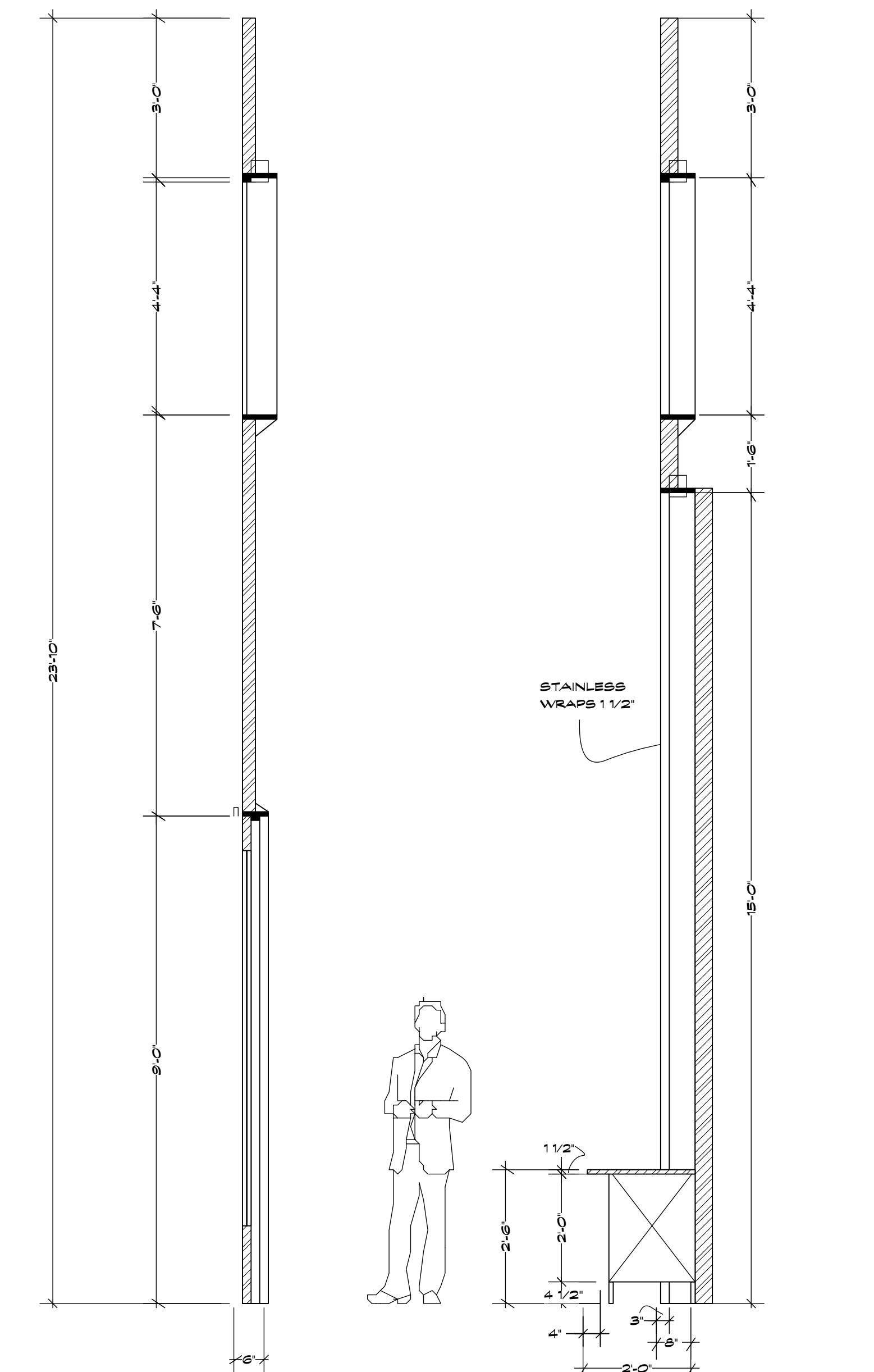
MOONQUAKE LAKE	Columbia Pictures Industries, Inc. Director/ Producer: Will Gluck Producer: James Lassiter Executive Producer: Celia Costas Production Designer: Marcia Hinds Art Director: Patricia Woodbridge	Set No. 20
		Sheet No. 02
Set Name:	Int. Stack's Office	Drwn: MDF
Location:	John Jay College, Moot Court 360 11th Ave 6th	Scale: 1/2" = 1'-0"
Sheet:	ELEVATION WALL A	Date: 9/16/13



NOTE:
DIMENSIONS GIVEN TO DRAWERS ARE TO THE CENTER OF THE 1/8" SPACE BETWEEN. THE PLANTONS ARE 1/2" THICK

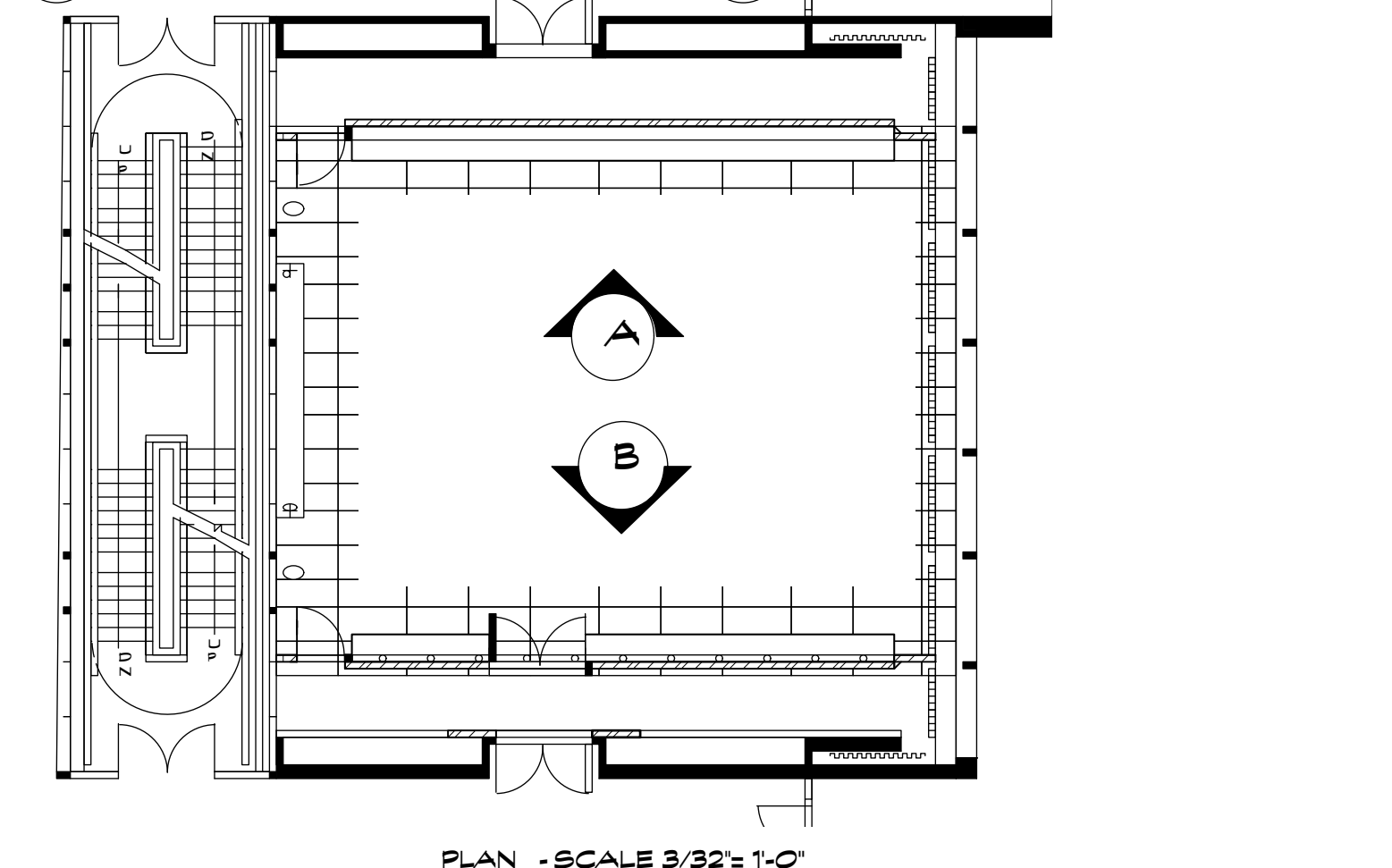


STACKS MONITOR WALL PLAN
Scale: 1/2" = 1'-0"



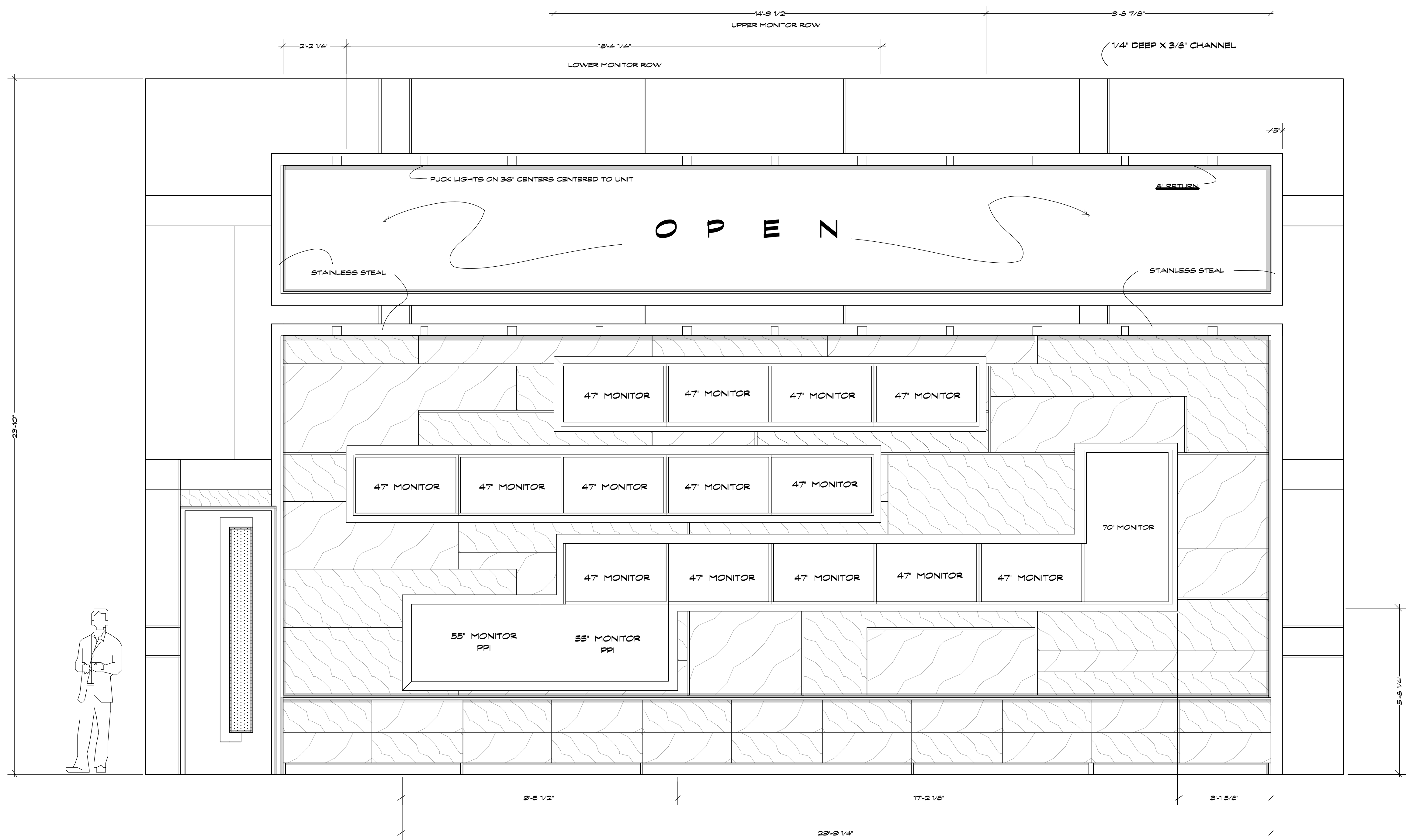
STACKS MONITOR WALL DOOR
Scale: 1/2" = 1'-0"

STACKS MONITOR WALL SECTION AT CL
Scale: 1/2" = 1'-0"

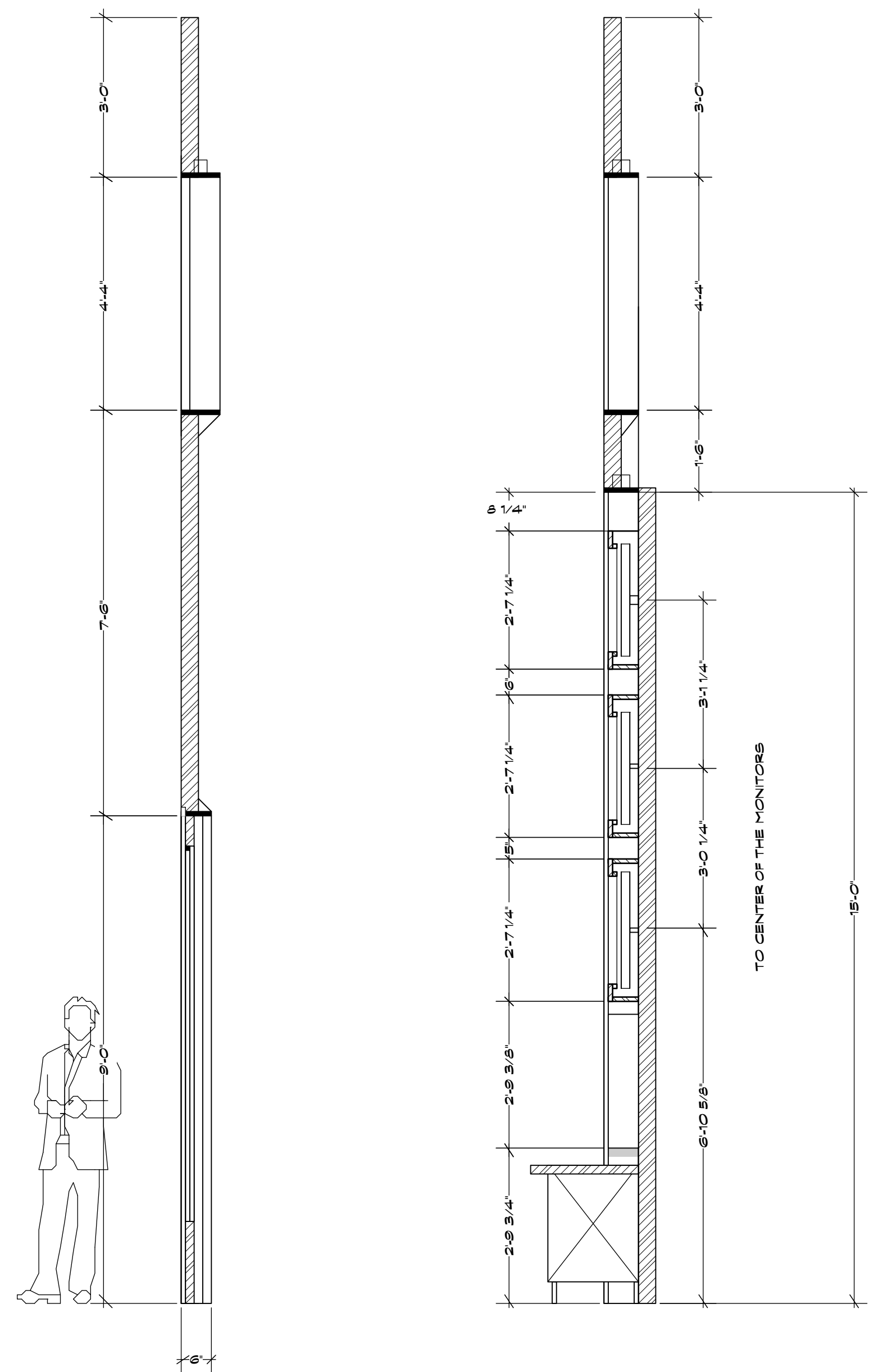


REVISED 9/10/13

MOONQUAKE LAKE	Columbia Pictures Industries, Inc. Director/ Producer: Will Gluck Producer: James Lassiter Executive Producer: Celia Costas Production Designer: Marcia Hinds Art Director: Patricia Woodbridge	Set No: 20
		Sheet No: 03
Set Name: Int. Stack's Office	Location: John Jay College, Moot Court 860 11th Ave 6th	Drwn: MDF
Sheet: ELEVATION WALL B		Scale: 1/2" = 1'-0" Date: 9/6/13

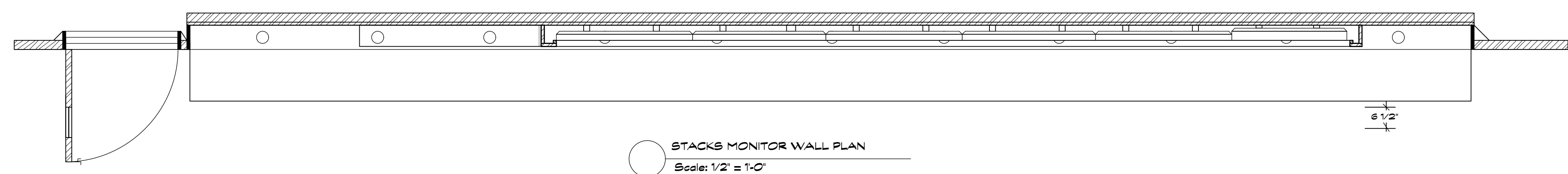


A STACKS MONITOR WALL ONE
Scale: 1/2" = 1'-0"

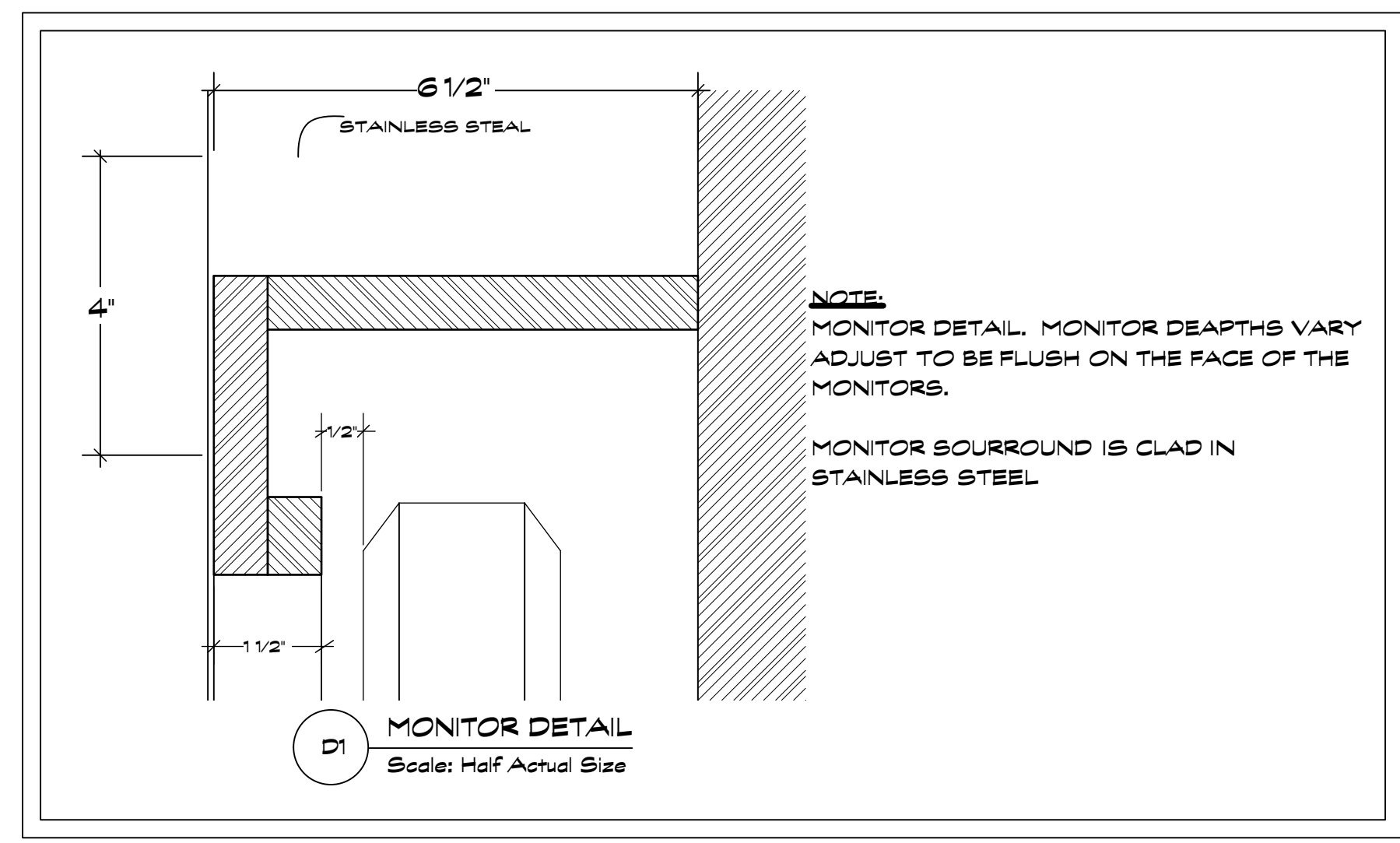


STACKS MONITOR WALL DOOR
Scale: 1/2" = 1'-0"

STACKS MONITOR WALL SECTION AT CL
Scale: 1/2" = 1'-0"



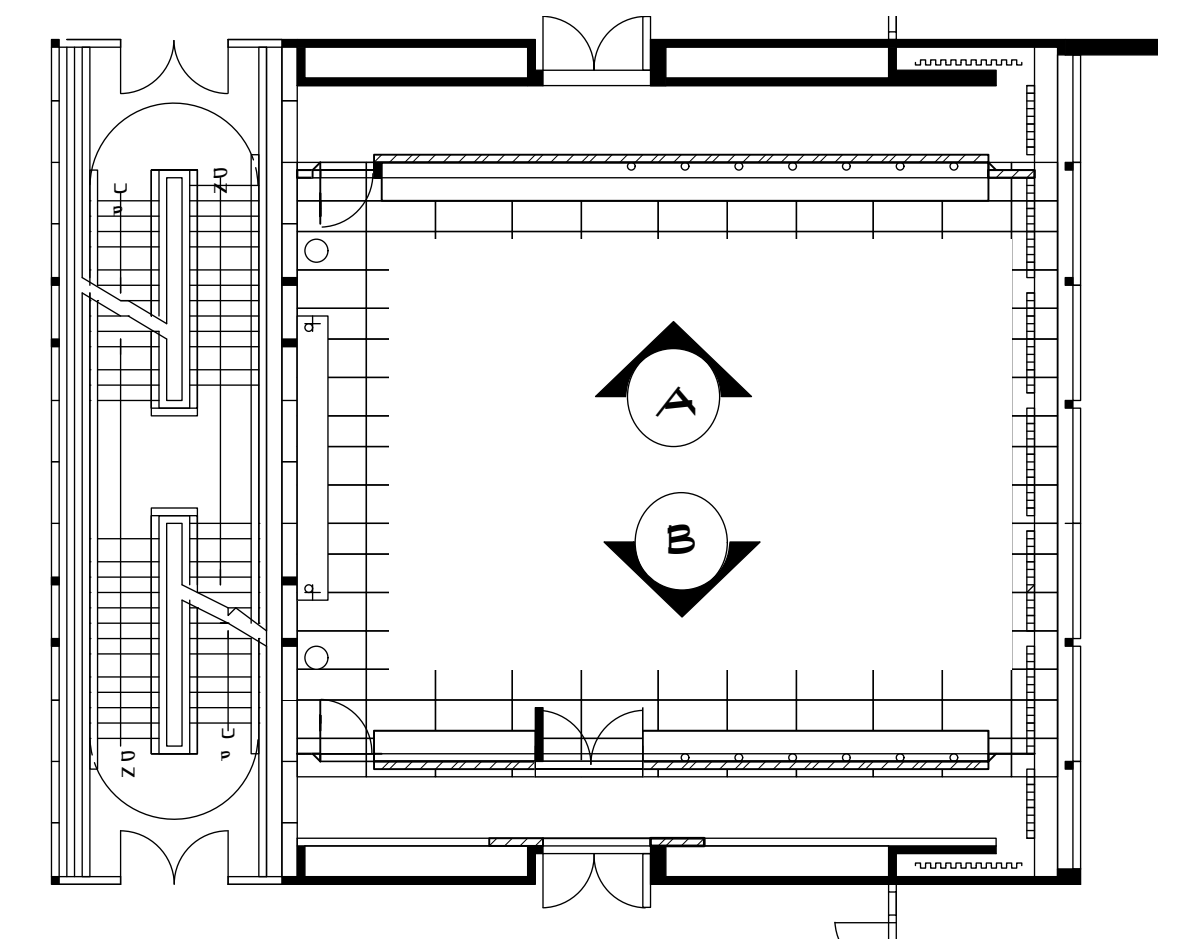
STACKS MONITOR WALL PLAN
Scale: 1/2" = 1'-0"



D1 MONITOR DETAIL
Scale: Half Actual Size

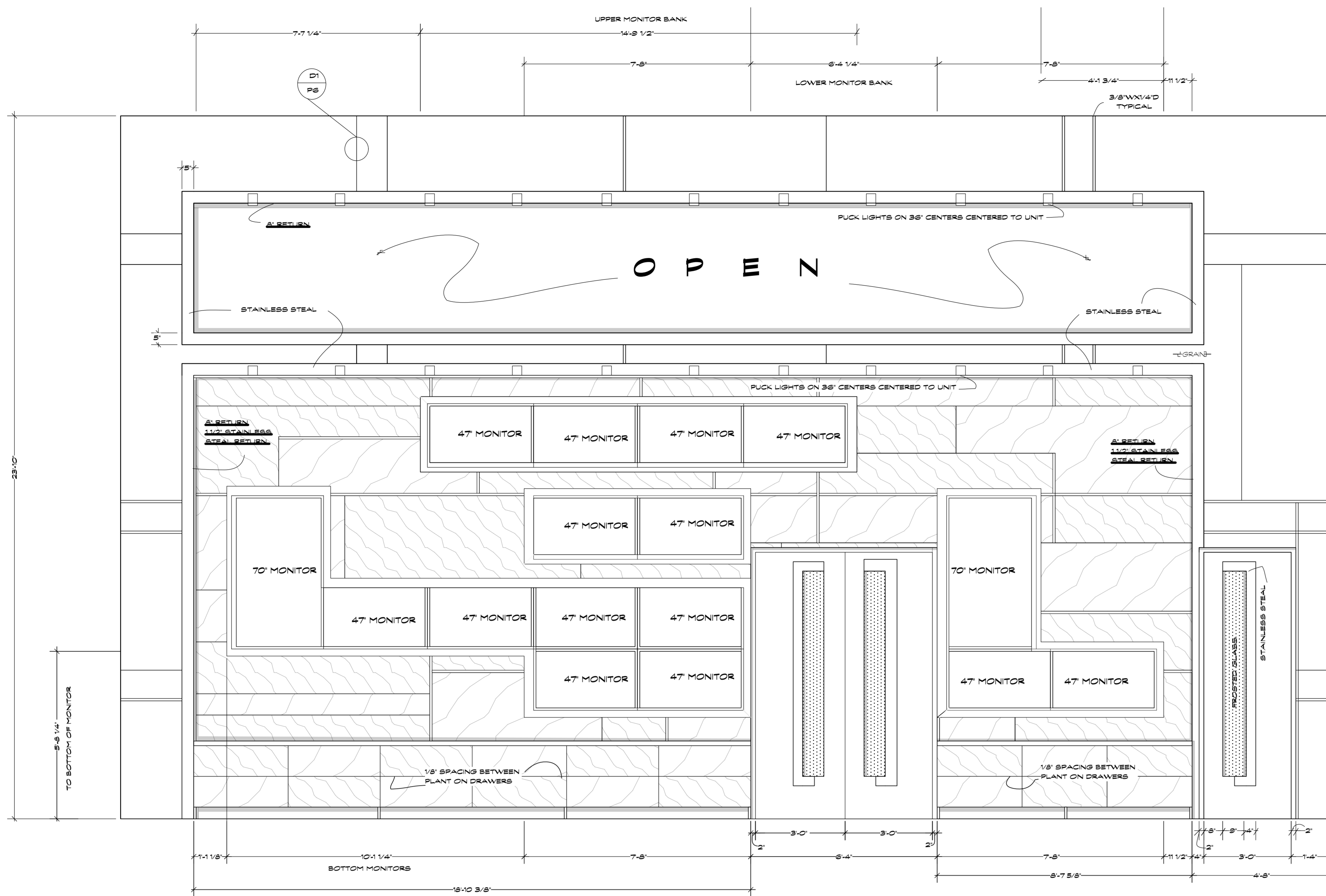
NOTE:
MONITOR DETAIL. MONITOR DEAPTHS VARY
ADJUST TO BE FLUSH ON THE FACE OF THE
MONITORS.
MONITOR SOURROUND IS CLAD IN
STAINLESS STEEL

NOTE:
ALL MONITOR BEZELS LINE UP VERTICALLY ADJUST WHERE NECESSARY!
DISCUSS BLACK PLEXI BEZEL COVER
14 - 47" MONITOR - 42 3/4" X 25 1/4" X 2 5/8 32.2 LBS
1 - 70" MONITORS 62 1/2" X 36 3/4" X 3 5/8 79.3 LBS
2 - 55" PPI MONITORS 50.2 X 29.5 X 2.5

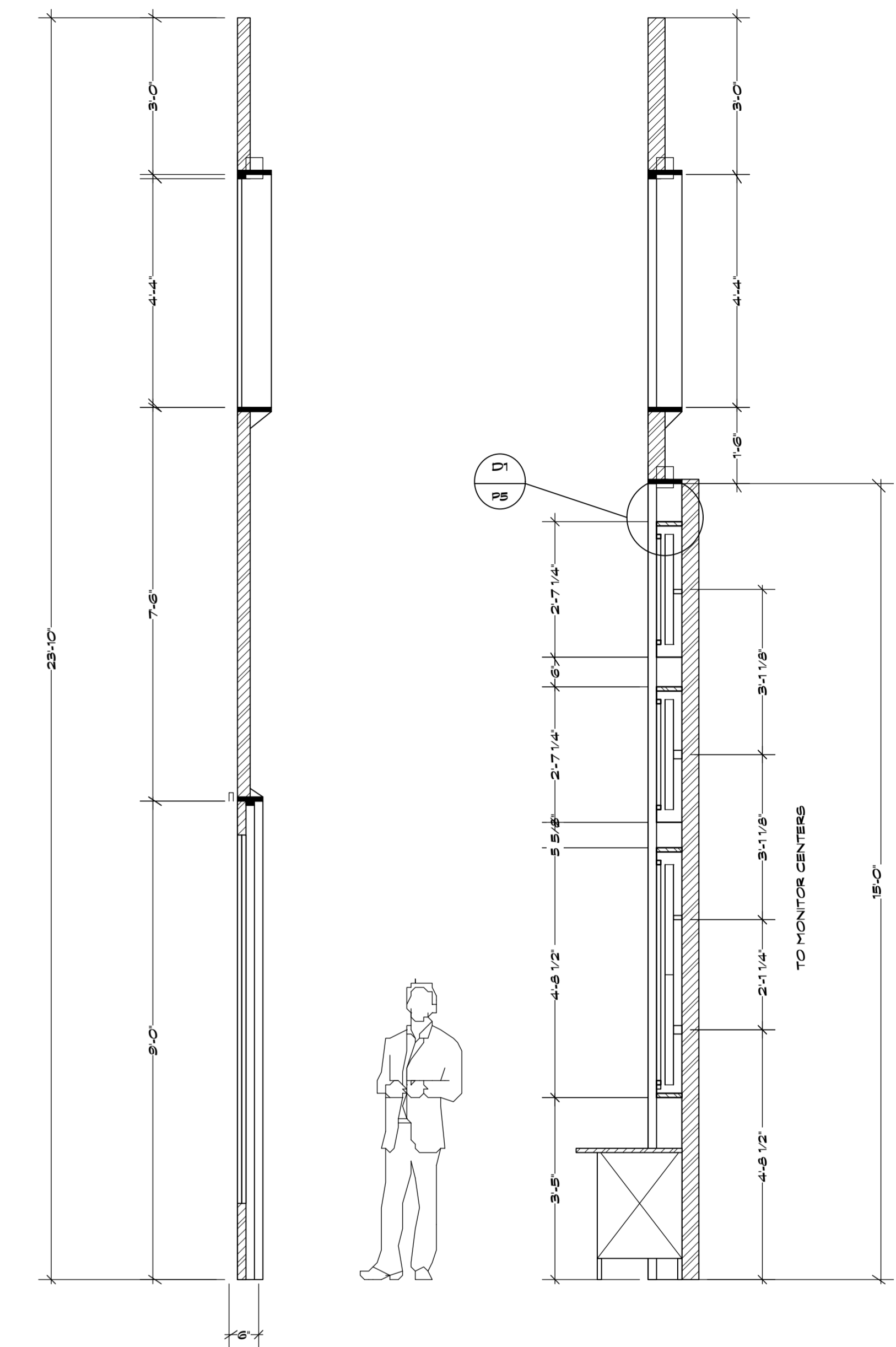


PLAN - SCALE 3/32" = 1'-0"
REVISED 9/19/13

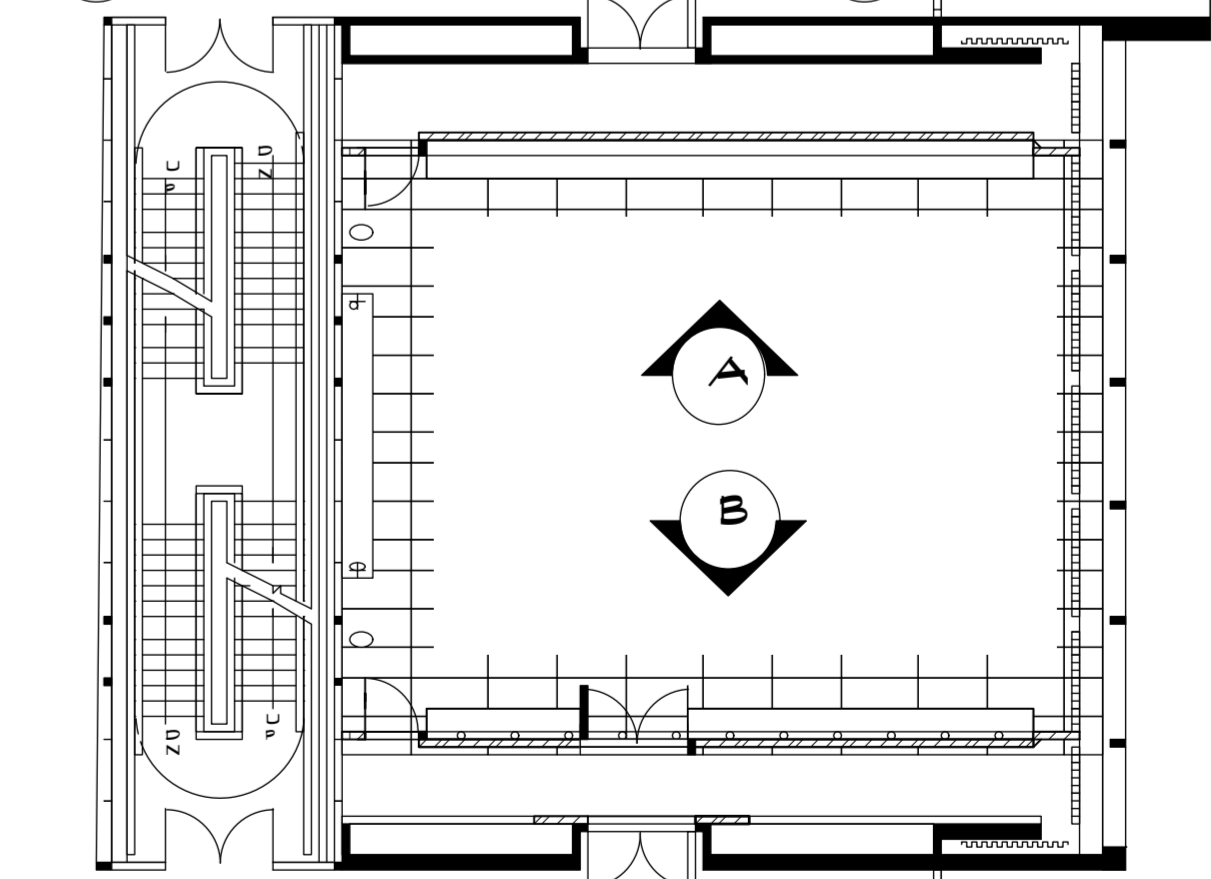
MOONQUAKE LAKE	Columbia Pictures Industries, Inc. Director/ Producer: Will Gluck Producer: James Lassiter Executive Producer: Celia Costas Production Designer: Marcia Hinds Art Director: Patricia Woodbridge	Set No.
		20
Set Name: Int. Stack's Office		Sheet No:
Location: John Jay College, Moot Court 360 11th Ave 6th		04
Sheet: MONITOR SURROUND WALL A		Drwn: MDF
		Scale: 1/2" = 1'-0"
		Date: 9/16/13



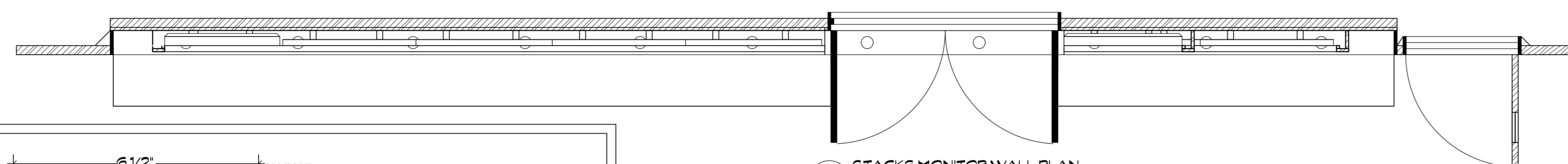
B STACKS OFFICE MONITOR WALL B
Scale: 1/2" = 1'-0"



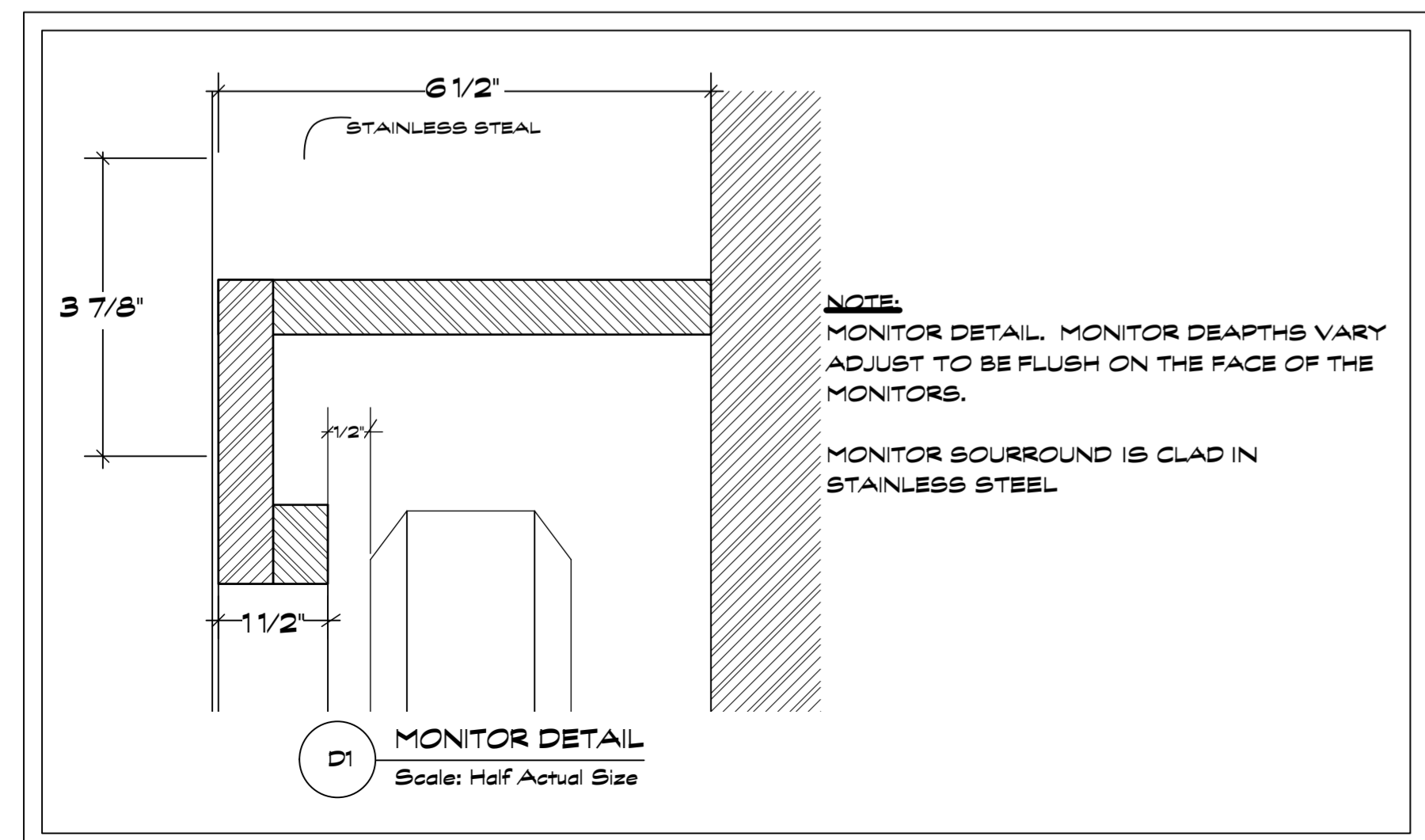
STACKS MONITOR WALL DOOR Scale: 1/2" = 1'-0"
STACKS MONITOR WALL SECTION AT CL Scale: 1/2" = 1'-0"



REVISED 9/19/13



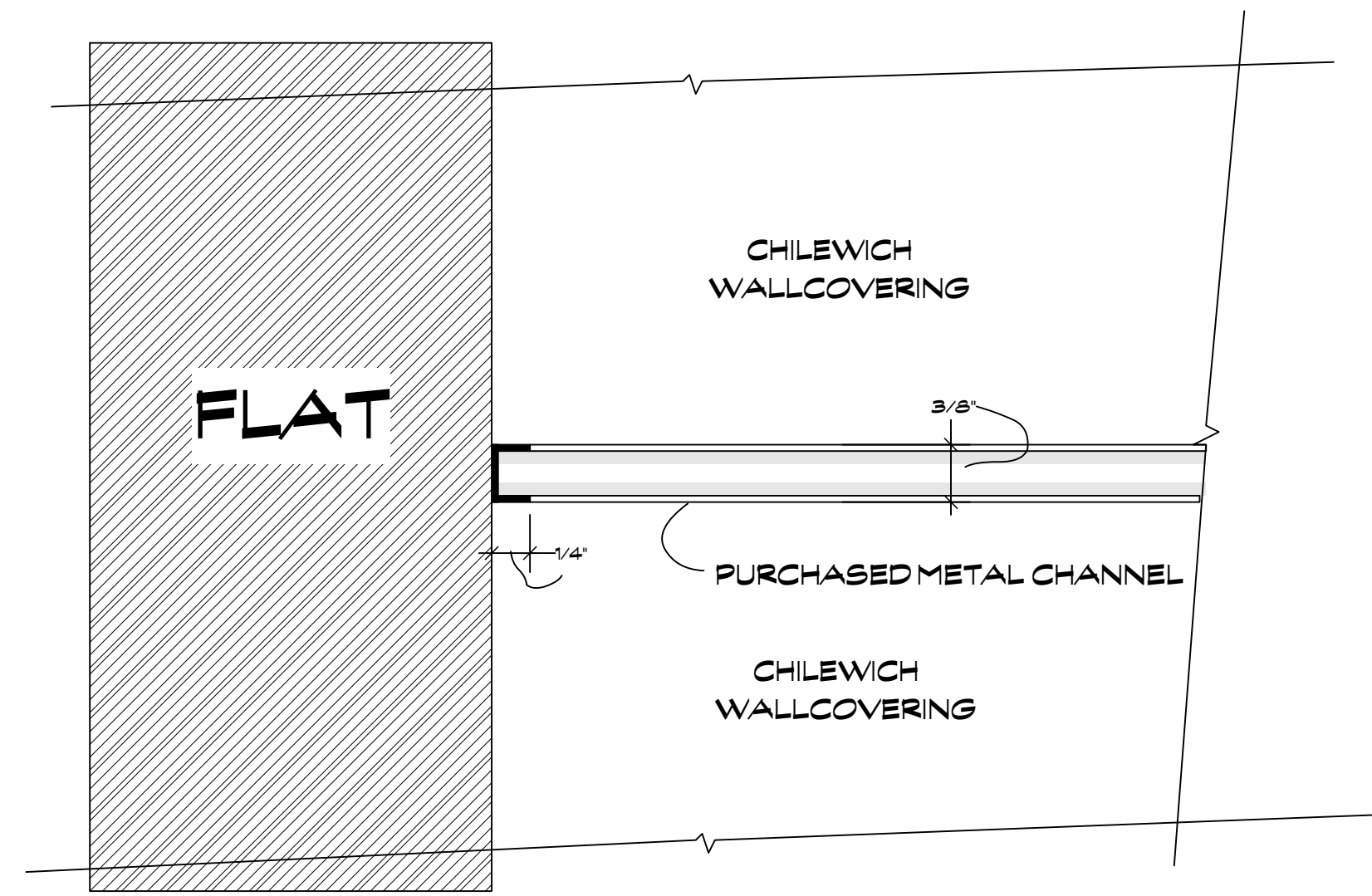
STACKS MONITOR WALL PLAN
Scale: 1/2" = 1'-0"



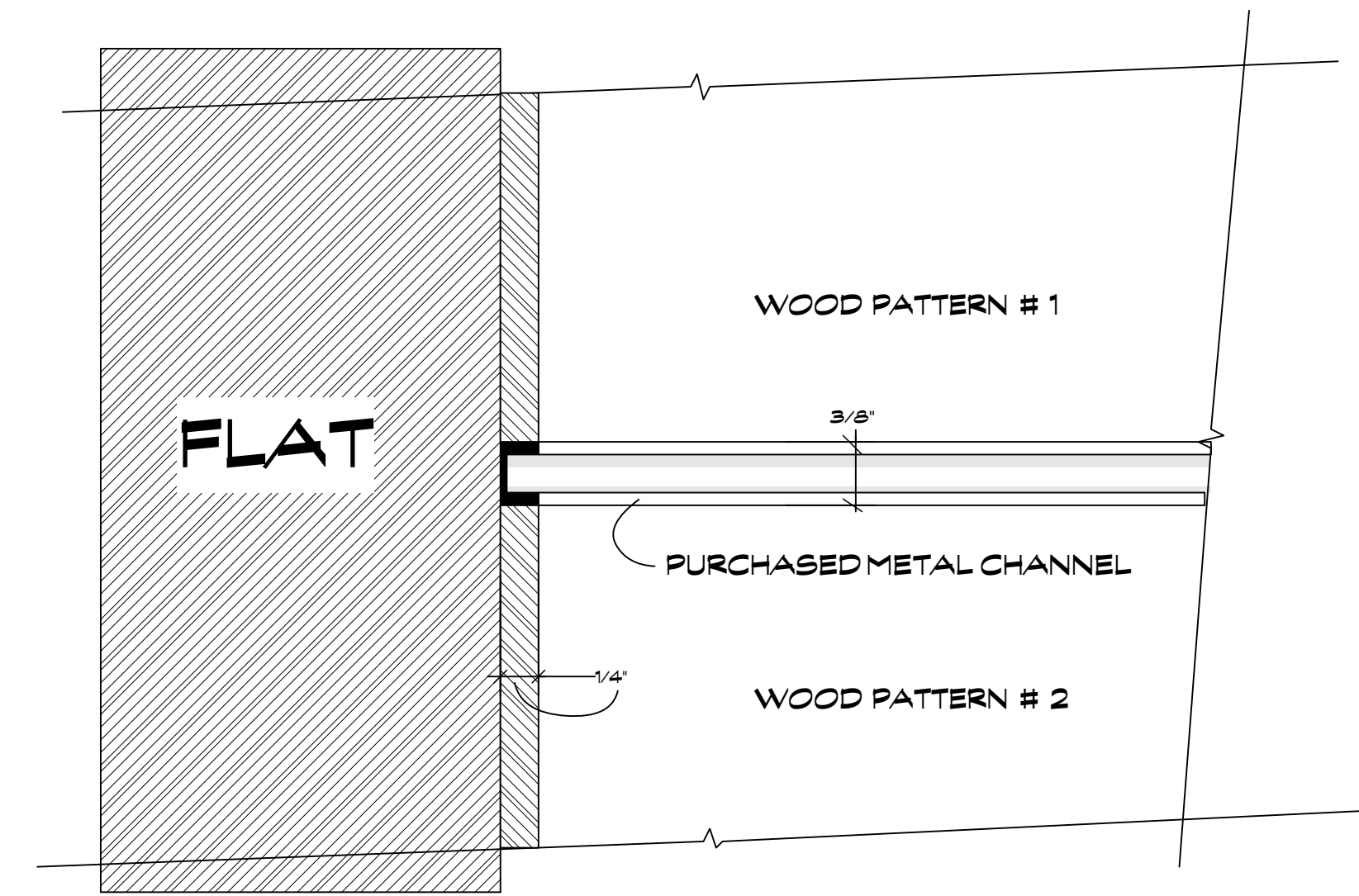
NOTE:
MONITOR DETAIL. MONITOR DEAPTHS VARY ADJUST TO BE FLUSH ON THE FACE OF THE MONITORS.
MONITOR SOURROUND IS CLAD IN STAINLESS STEEL

NOTE:
ALL MONITOR BEZELS LINE UP VERTICALLY ADJUST WHERE NECESSARY!
DISCUSS BLACK PLEXI BEZEL COVER
14 - 47" MONITOR - 42 3/4" X 25 1/4" X 2 5/8" 32.2 LBS
2 - 70" MONITORS 62 1/2" X 36 3/4" X 3 5/8" 79.3 LBS

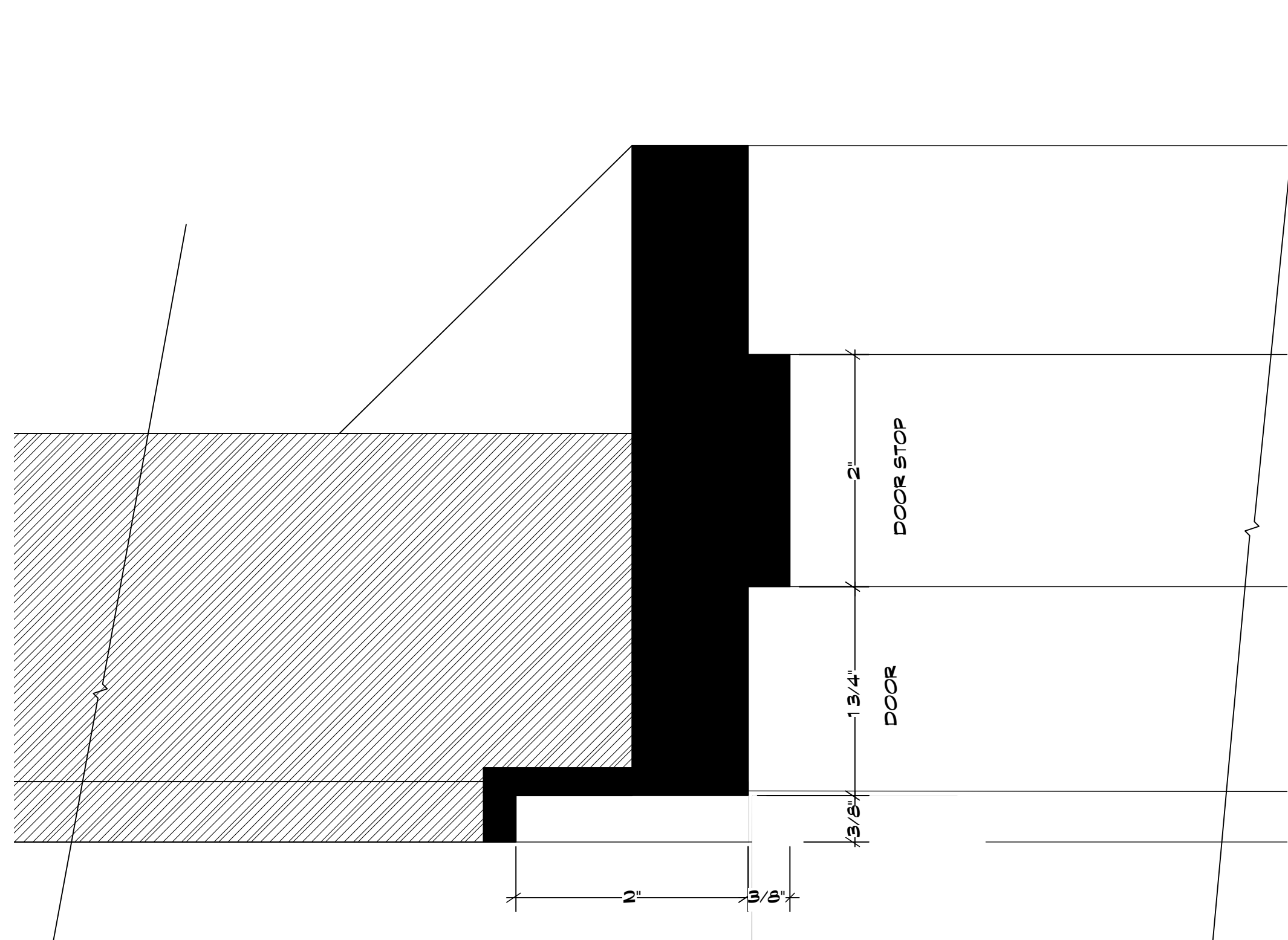
MOONQUAKE LAKE	Columbia Pictures Industries, Inc. Director/Producer: Will Gluck Producer: James Lassiter Executive Producer: Celia Costas Production Designer: Marcia Hinds Art Director: Patricia Woodbridge	Set No: 20
		Sheet No: 05
Set Name:	Int. Stack's Office	Drwn: MDF
Location:	John Jay College, Moot Court 860 11th Ave 6th	Scale: 1/2" = 1'-0"
Sheet:	MONITOR SURROUND WALL B	Date: 9/16/13



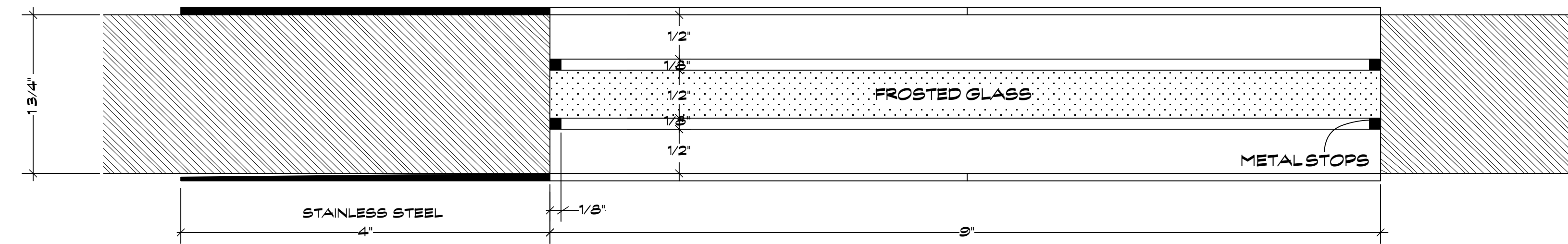
D1 METAL CHANNEL ON CHILEWICH WALL DETAIL
Scale: Actual Size



D2 METAL CHANNEL MONITOR WALL DETAIL
Scale: Actual Size

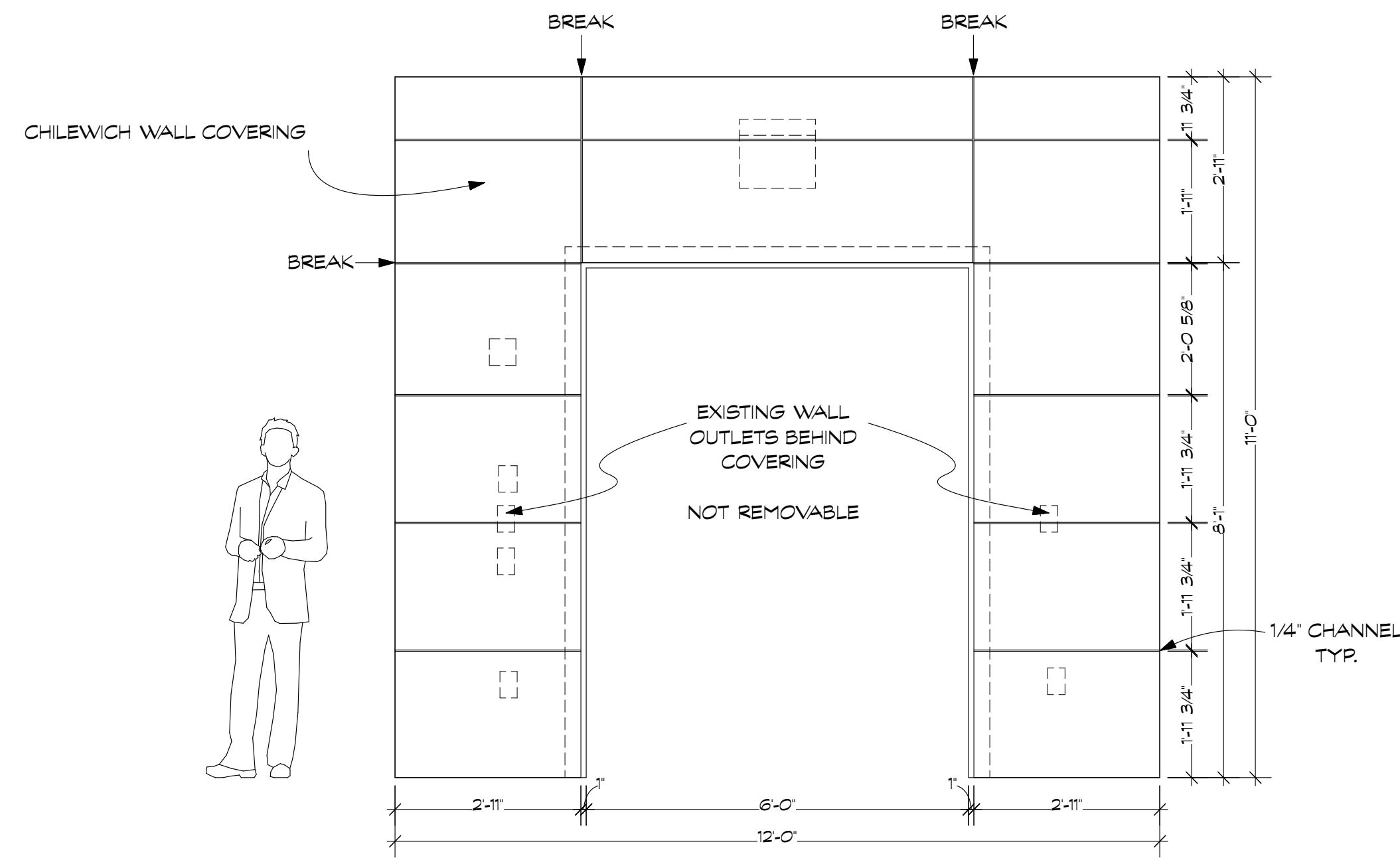


D3 TYPICAL DOOR FRAME DETAIL
Scale: Actual Size

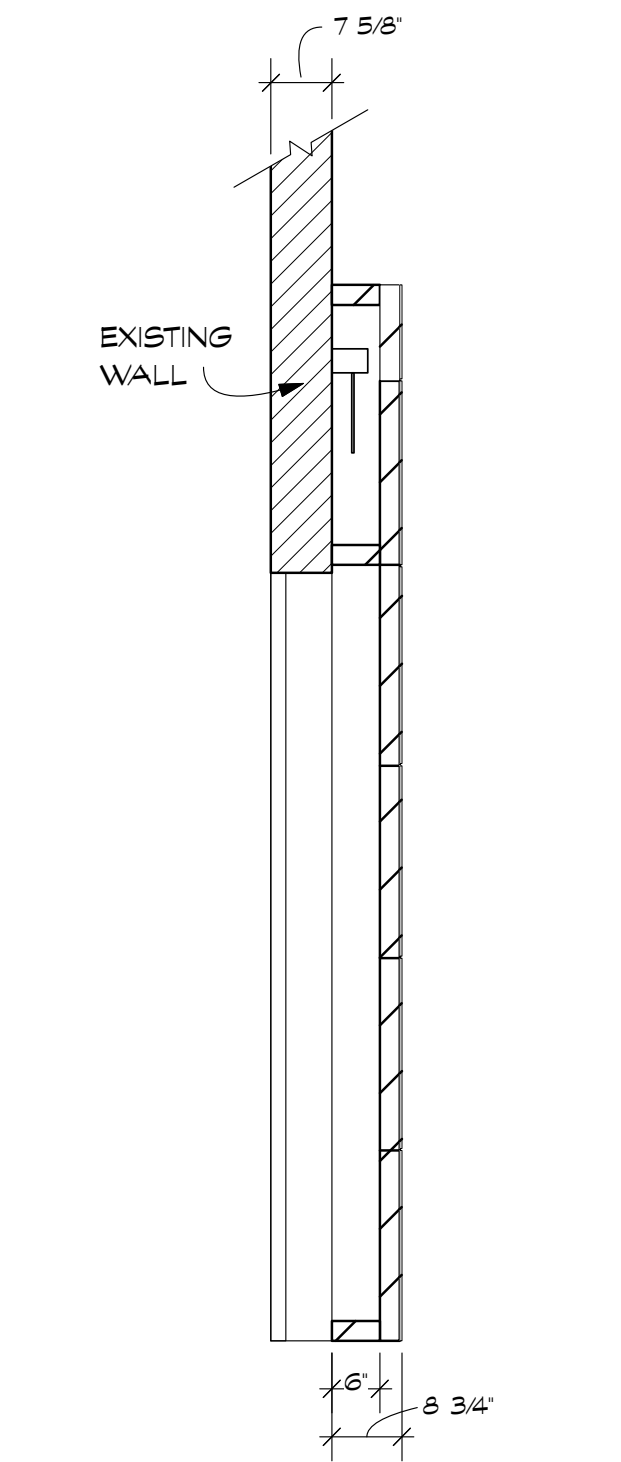


D4 TYPICAL DOOR WINDOW DETAIL
Scale: Actual Size

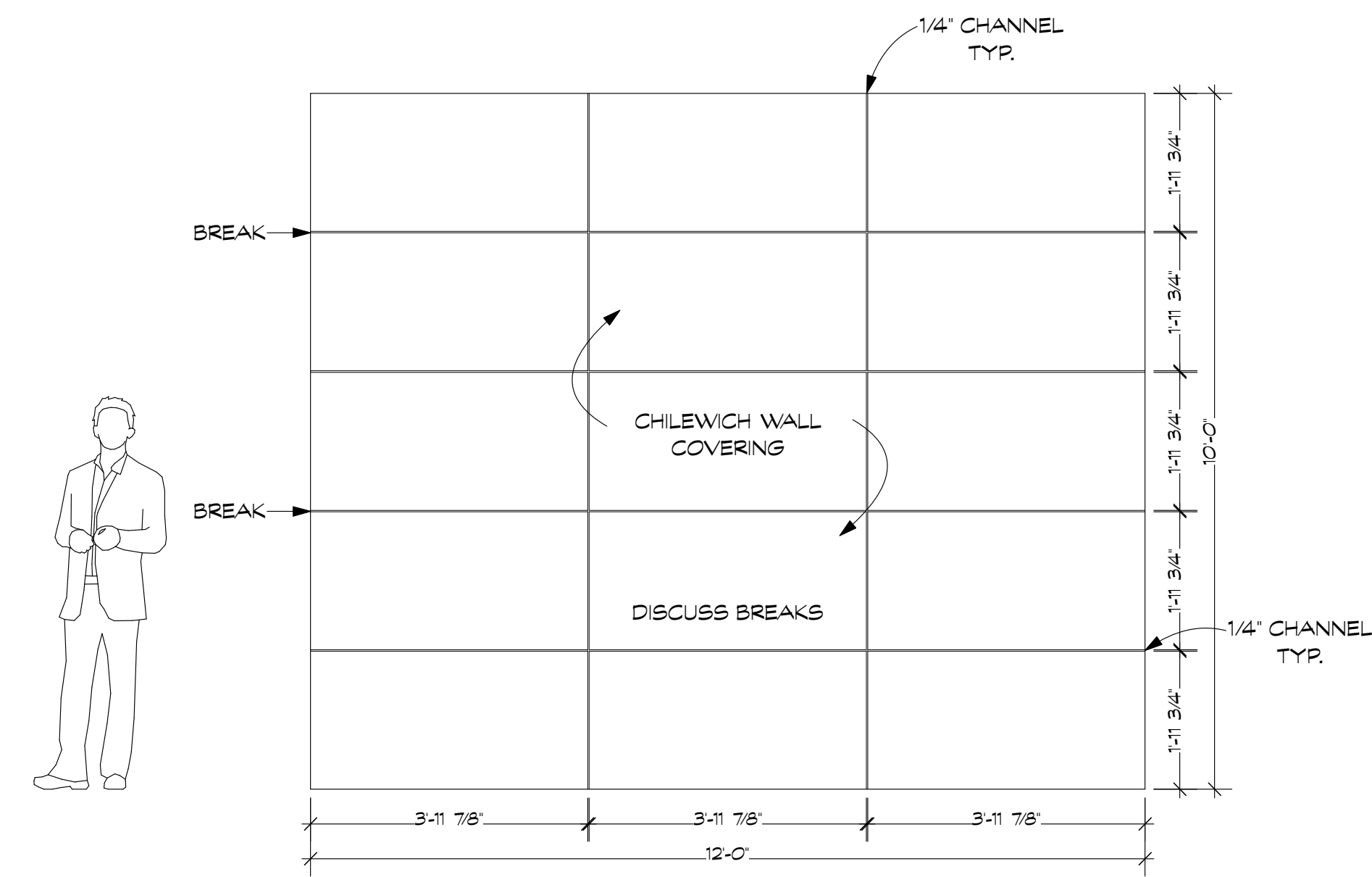
MOONQUAKE LAKE	Columbia Pictures Industries, Inc. Director/Producer: Will Gluck Producer: James Lassiter Executive Producer: Celia Costas Production Designer: Marcia Hinds Art Director: Patricia Woodbridge	Set No: 20
		Sheet No: 6
Set Name: INT. STACKS OFFICE		Drawn: MARTIN F.
Location: JOHN JAY COLLEGE MOOT COURT 860 11TH AVE. 6TH FLOOR		Scale: FULL
Sheet: DETAIL PLATE		Date: 3/17/13



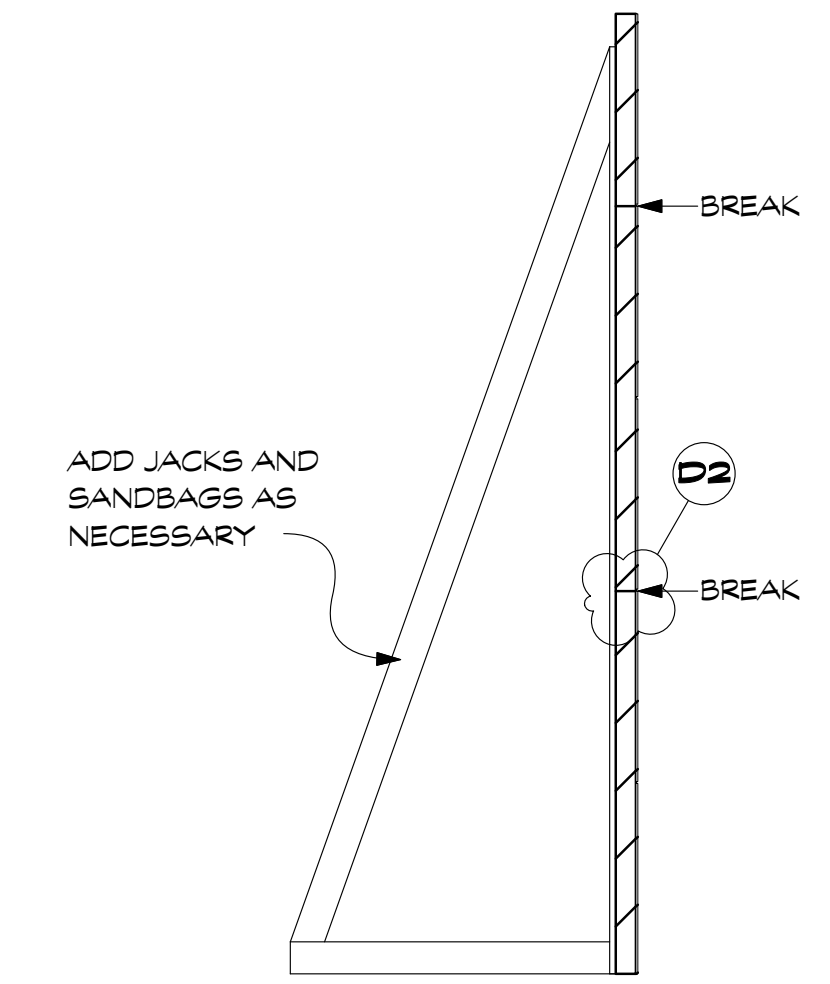
OVER DOOR ELEV
Scale: 1/2" = 1'-0"



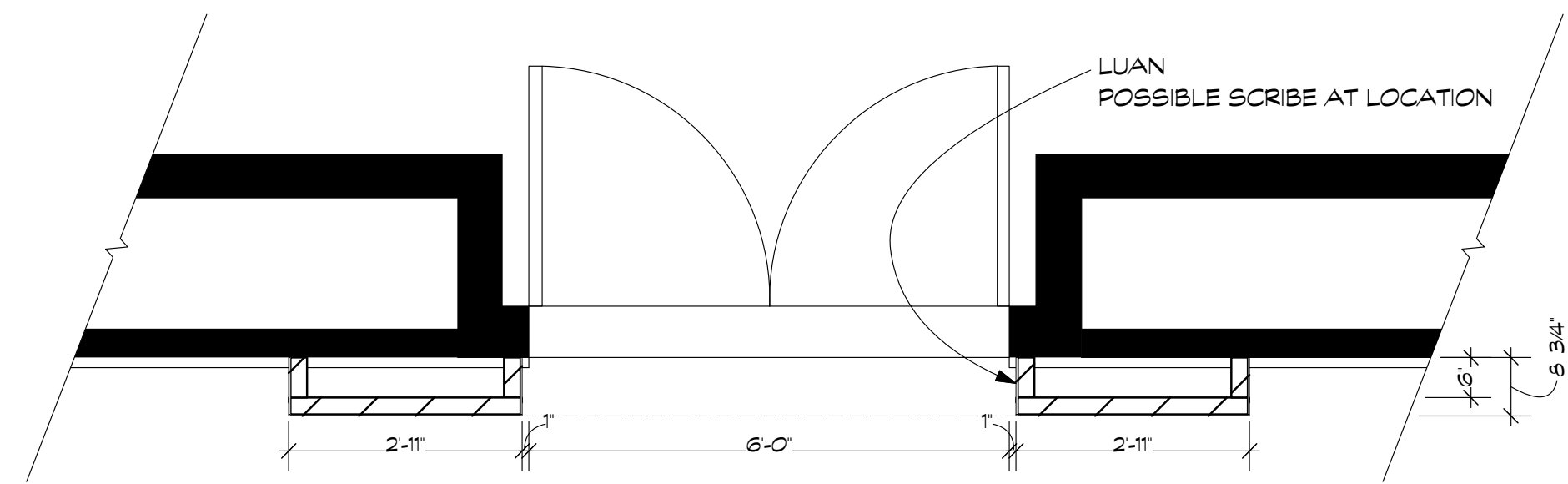
OVER DOOR WALL SECTION
Scale: 1/2" = 1'-0"



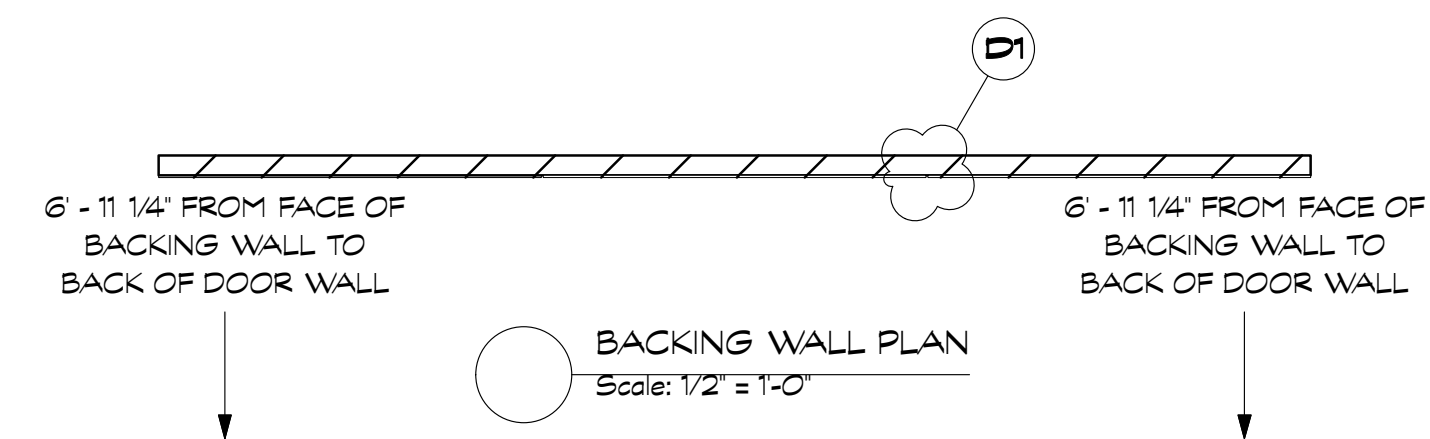
BACKING WALL ELEV
Scale: 1/2" = 1'-0"



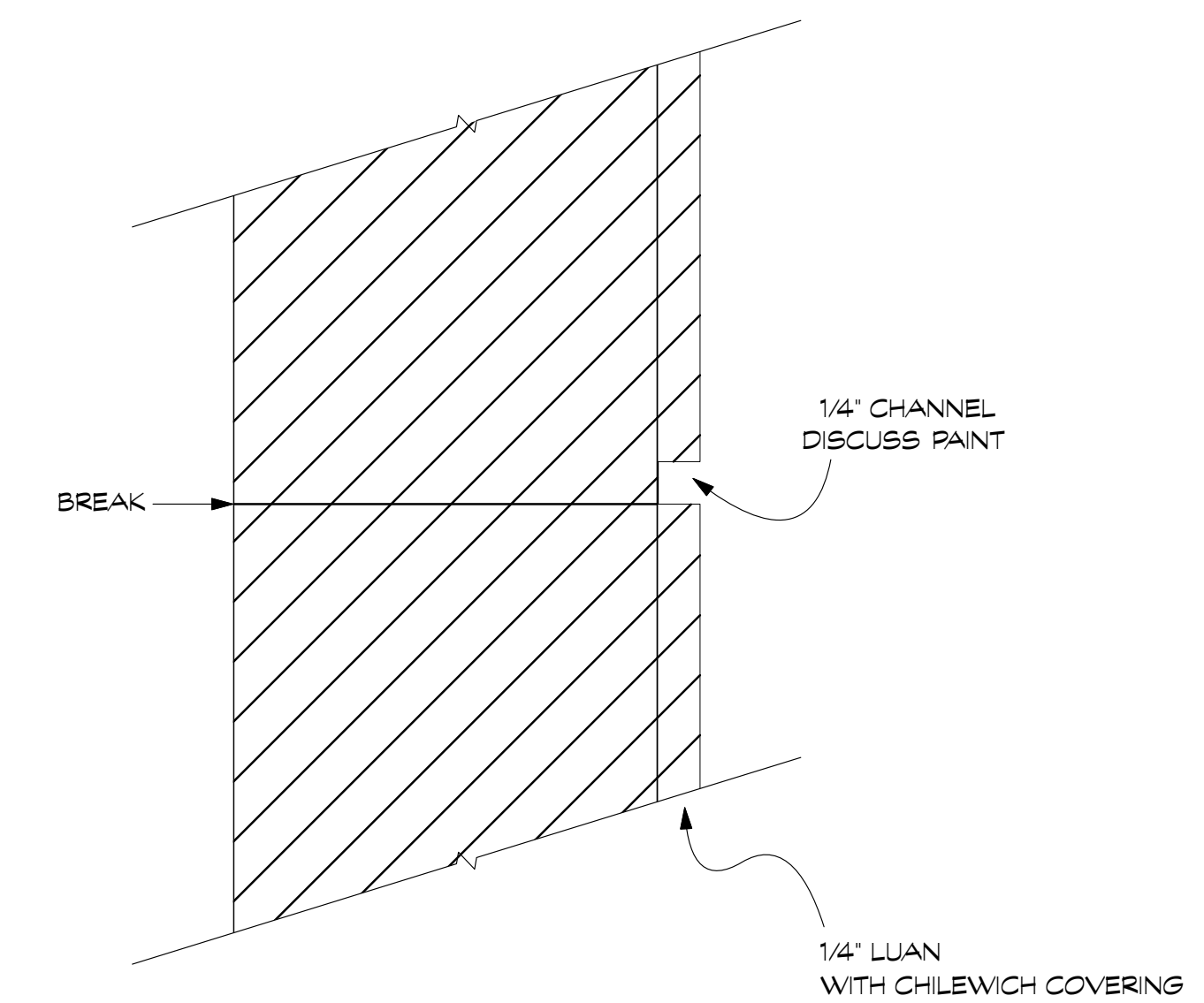
BACKING WALL SECTION
Scale: 1/2" = 1'-0"



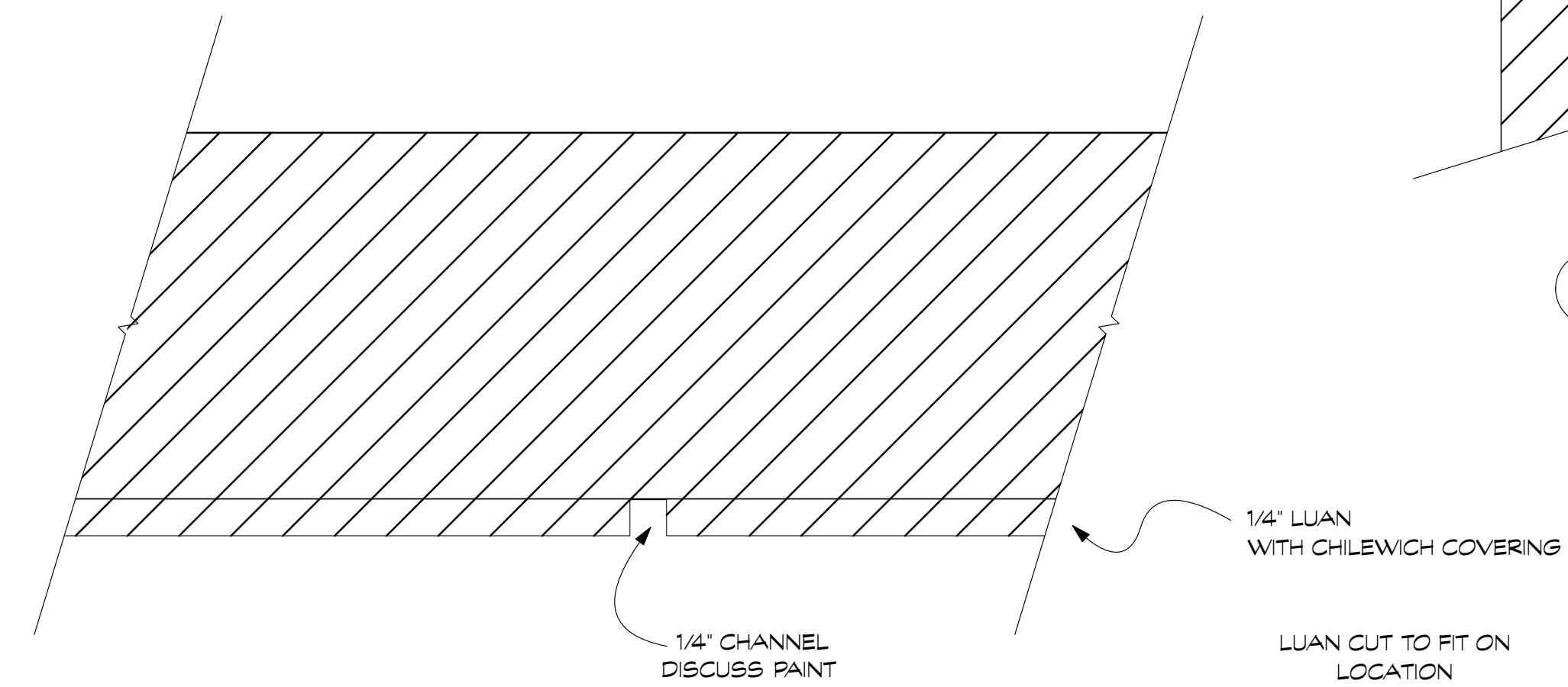
OVER DOOR WALL PLAN
Scale: 1/2" = 1'-0"



BACKING WALL PLAN
Scale: 1/2" = 1'-0"



D2 BREAK DETAIL
Scale: Actual Size



D1 CHANNEL DETAIL
Scale: Actual Size

MOONQUAKE LAKE	Columbia Pictures Industries, Inc. Director/Producer: Will Gluck Producer: James Lassiter Executive Producer: Celia Costas Production Designer: Marcia Hinds Art Director: Patricia Woodbridge	Set No. 20
		Sheet No. 7
Set Name: INT. STACKS OFFICE	Drawn: MARTIN F.	
Location: JOHN JAY COLLEGE MOOT COURT 860 11TH AVE. 6TH FLOOR	Scale: 1/2"=1'-0"	
Sheet: BACKING WALLS	Date: 9/18/13	