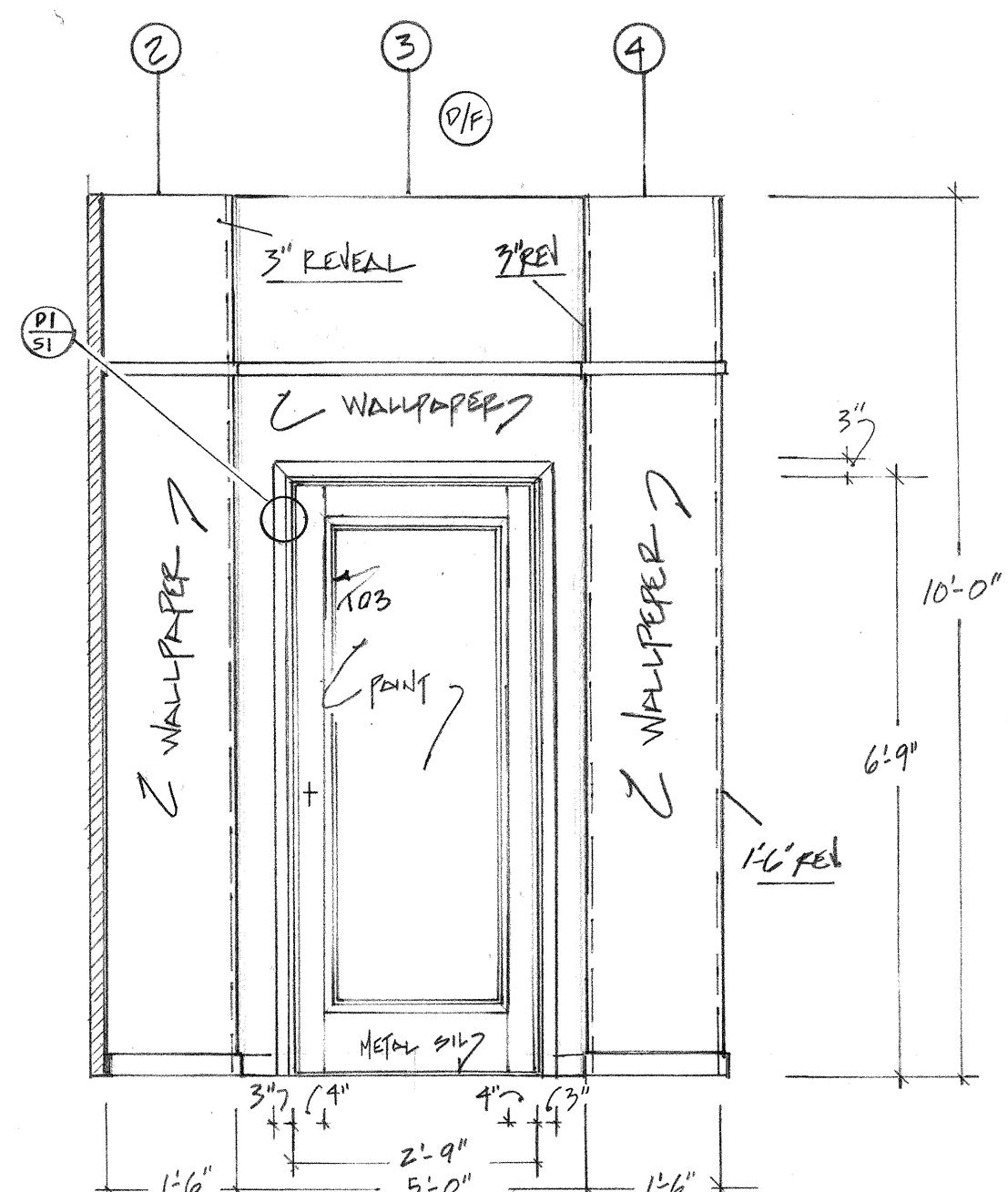
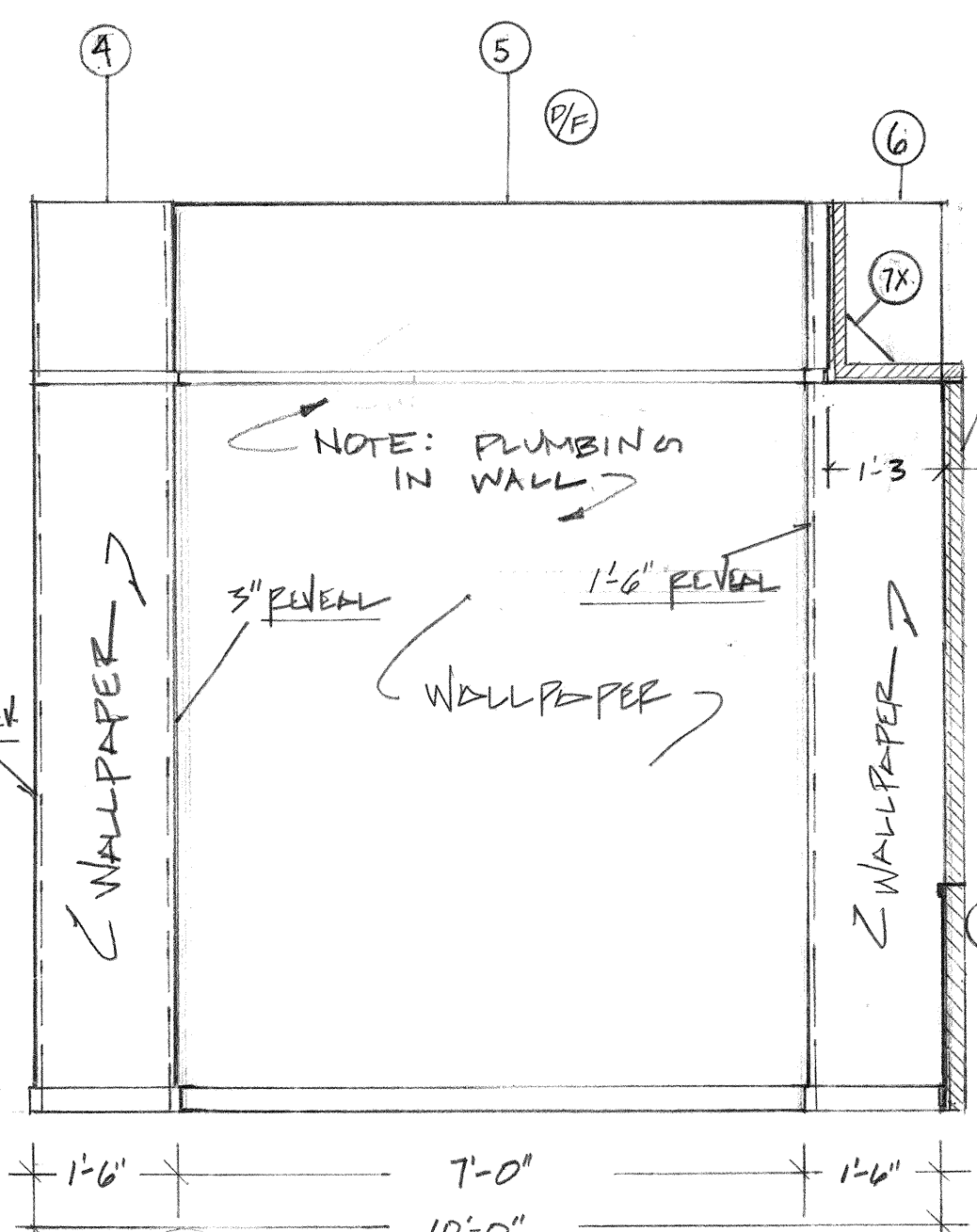


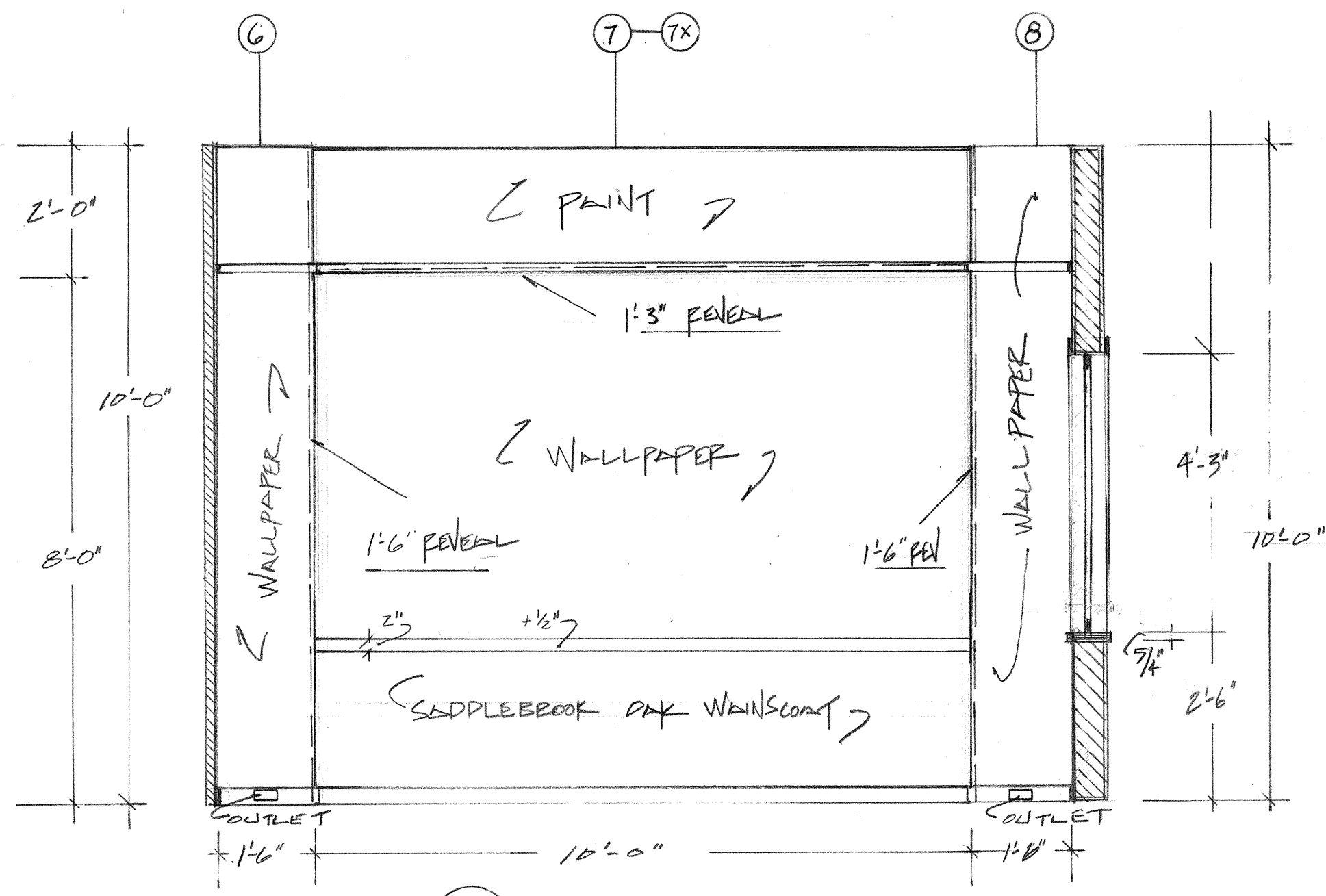
A DS RIGHT WALL
SCALE 1/8" = 1'-0"



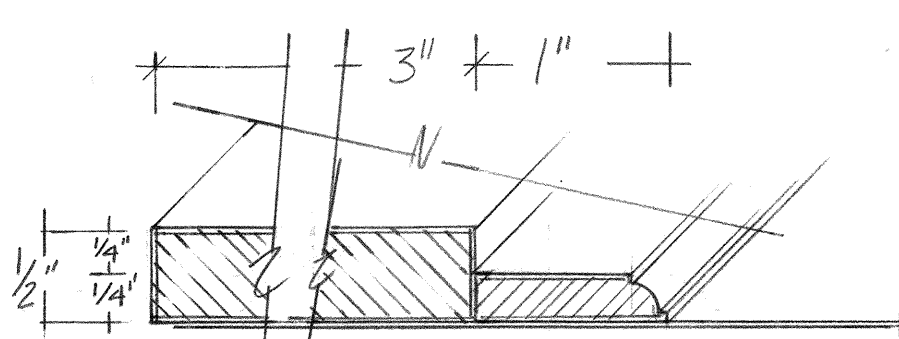
B BATHROOM DOOR
SCALE 1/2" = 1'-0"



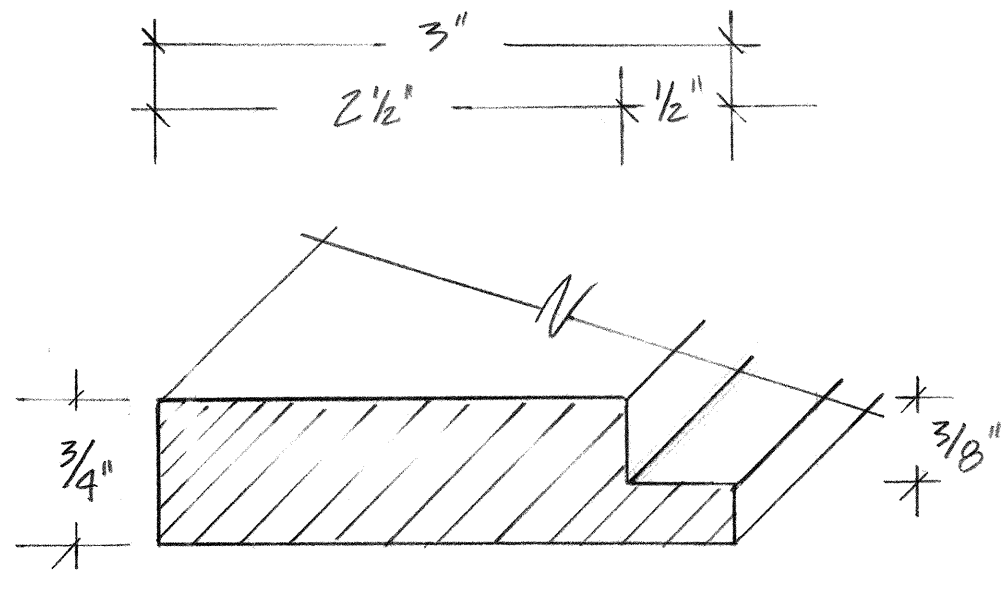
C HEADBOARD WALL
SCALE 1/2" = 1'-0"



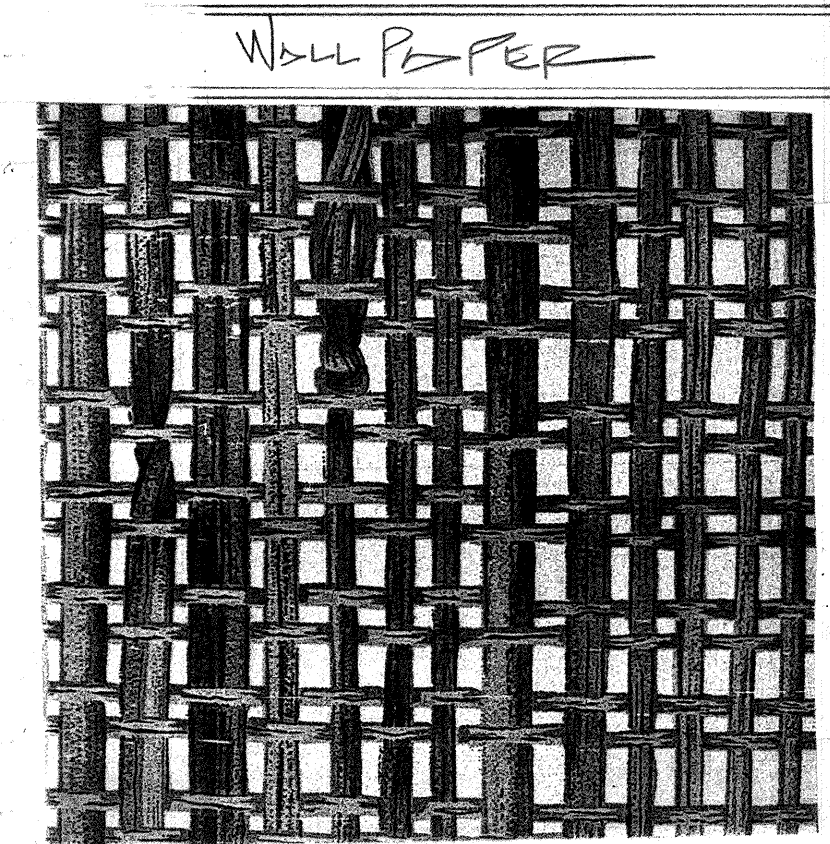
D LIS WALL
SCALE 1/2" = 1'-0"



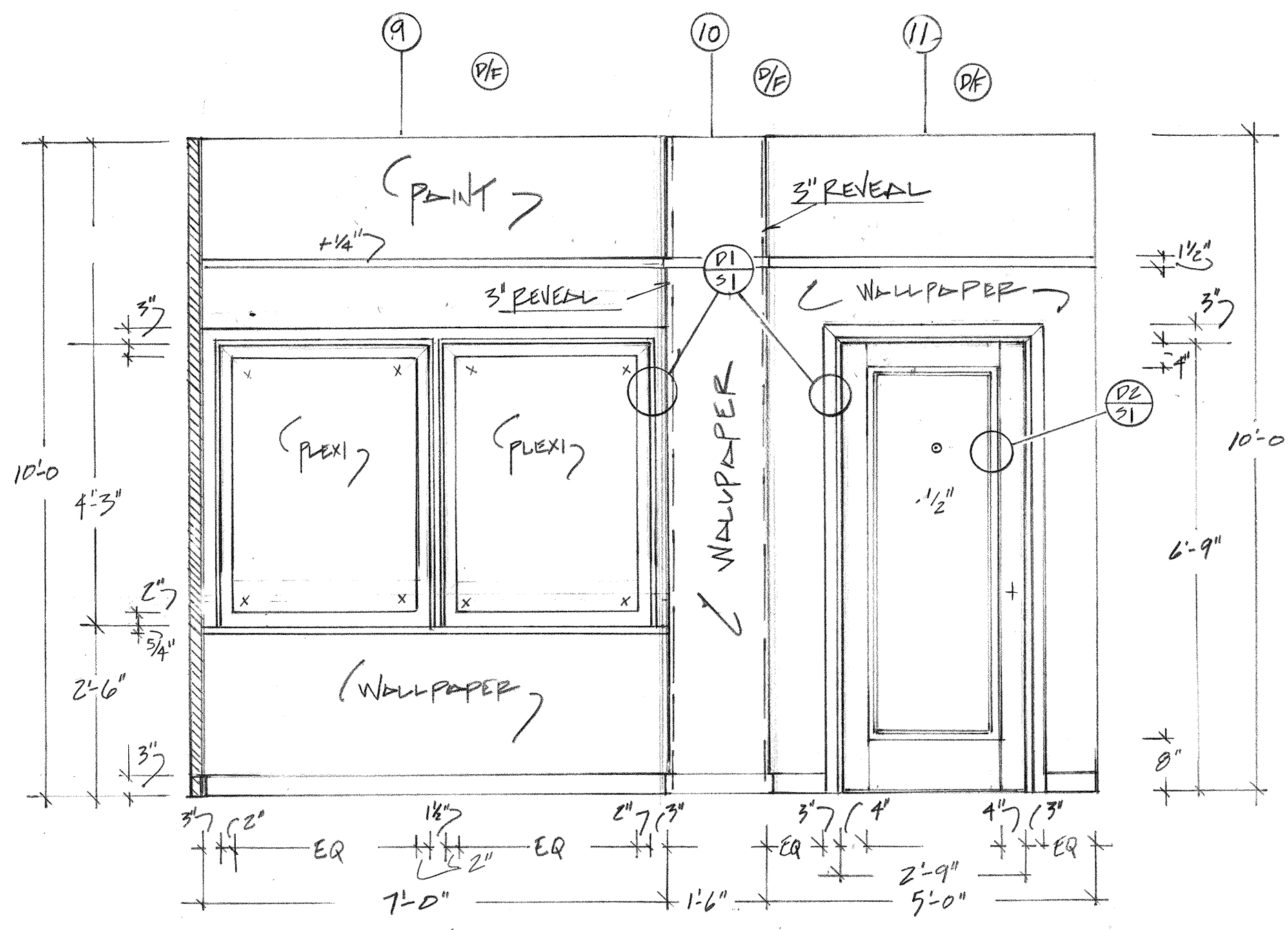
D2 DOOR PANEL MOLDING
SCALE 1/2" = 1'-0"



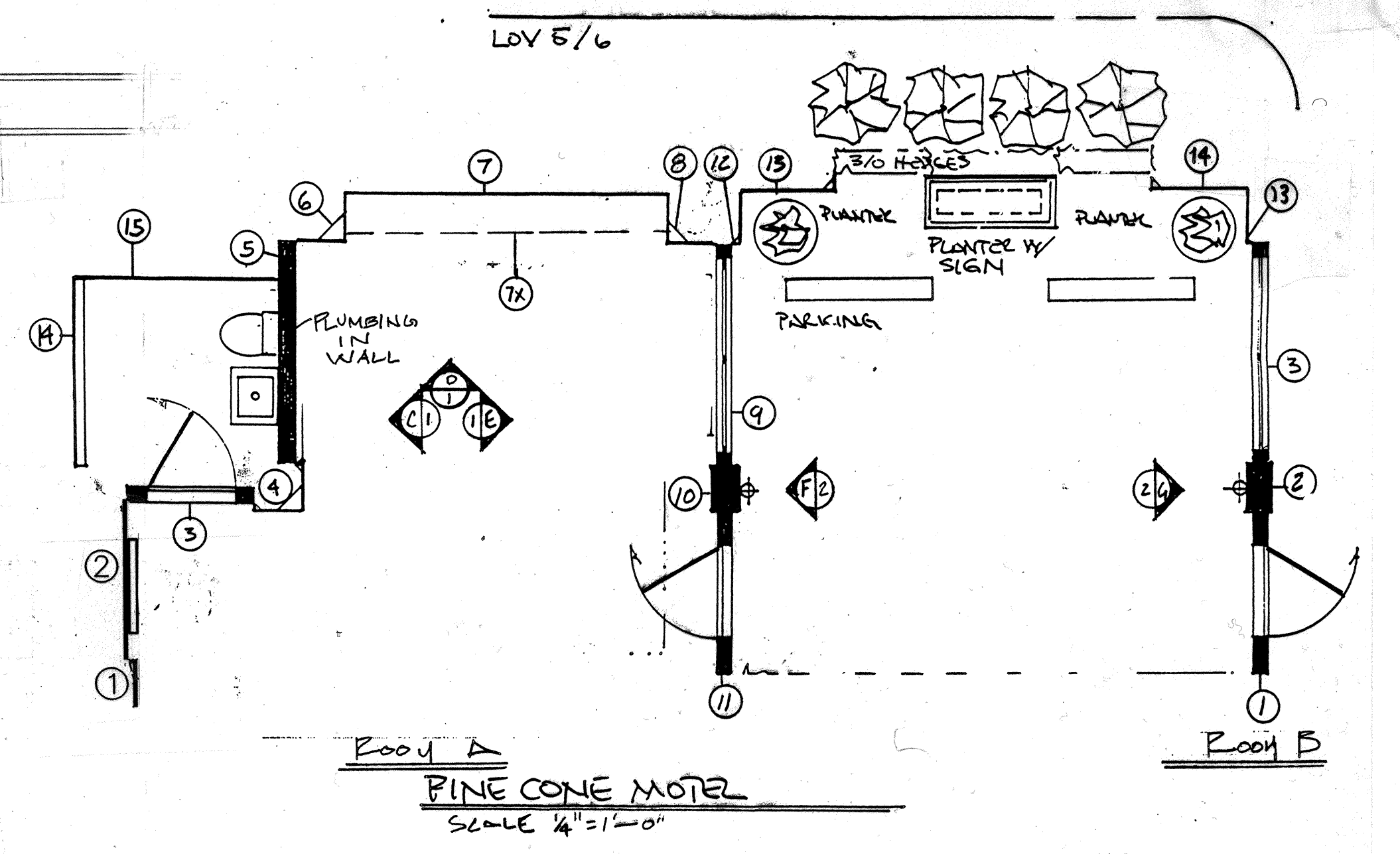
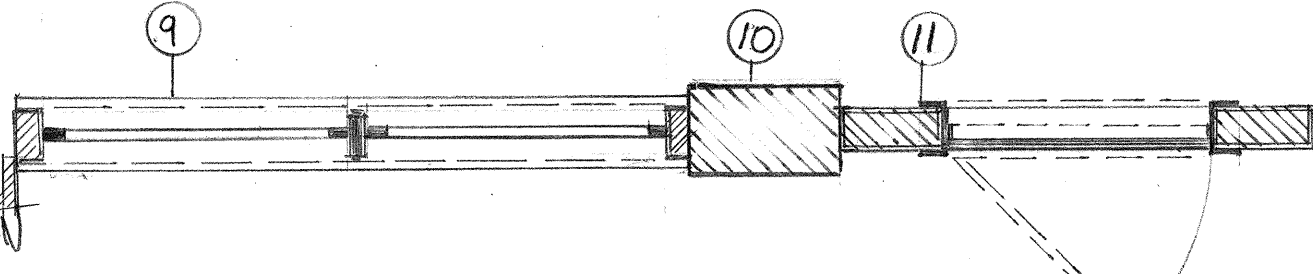
D1 MOLDING DETAIL
SCALE: FULL



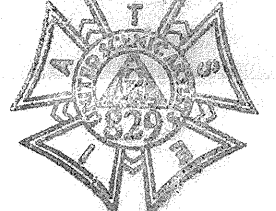
PATTERN NO. 6792E-0810
Please Return This Sample To
STROHEIM & ROMANN, INC.



E ENTRANCE
SCALE 1/2" = 1'-0"

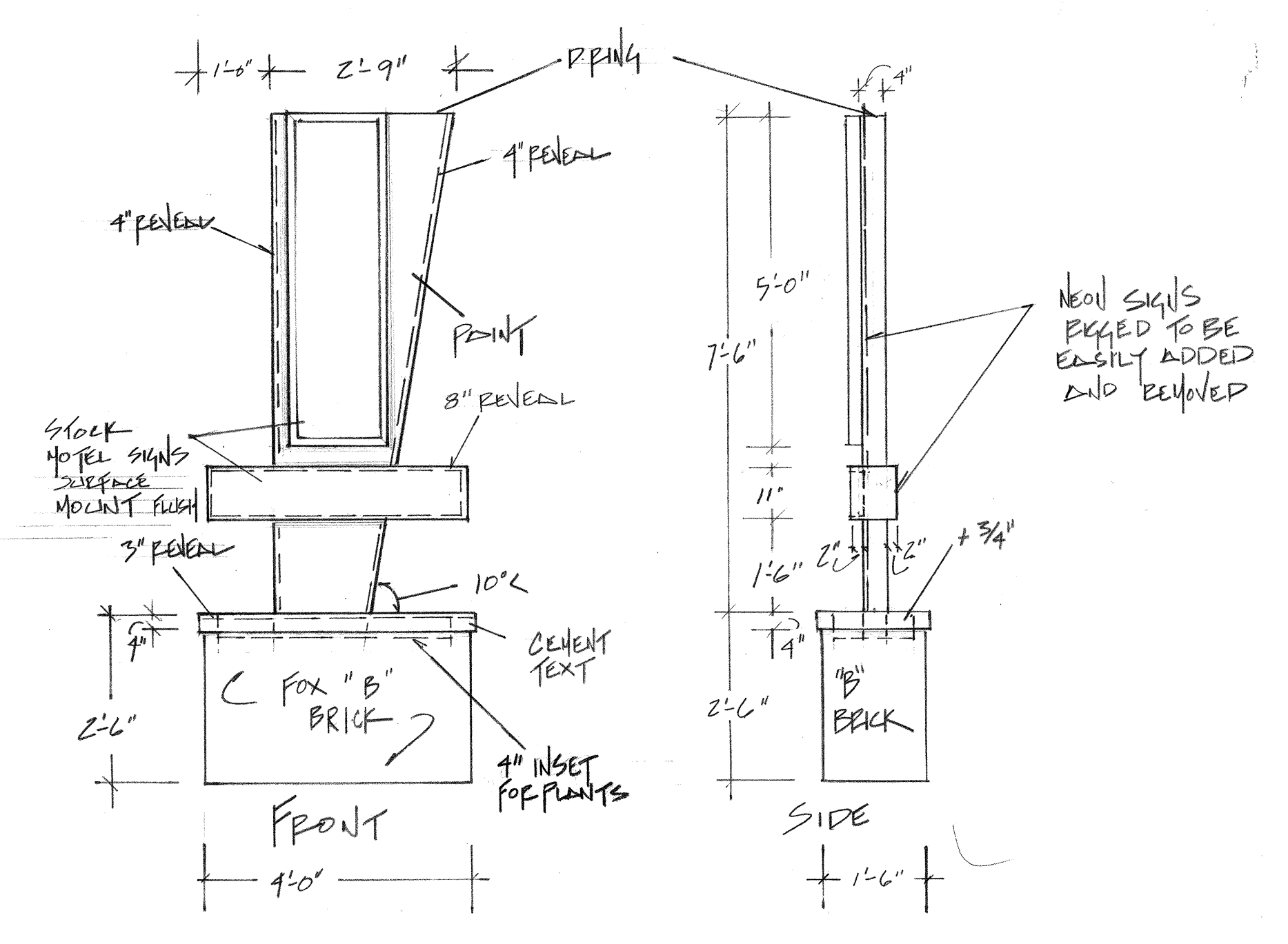
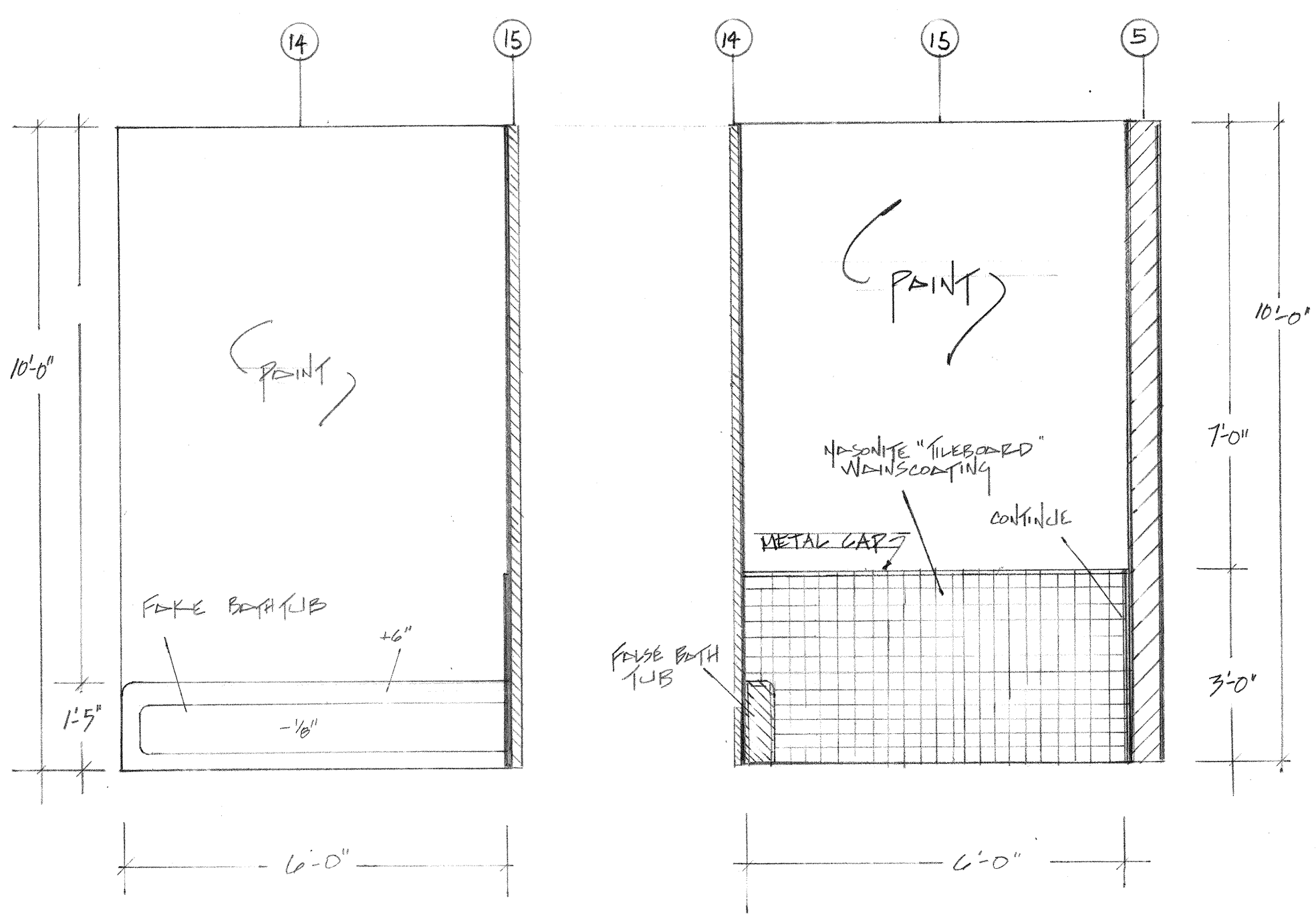
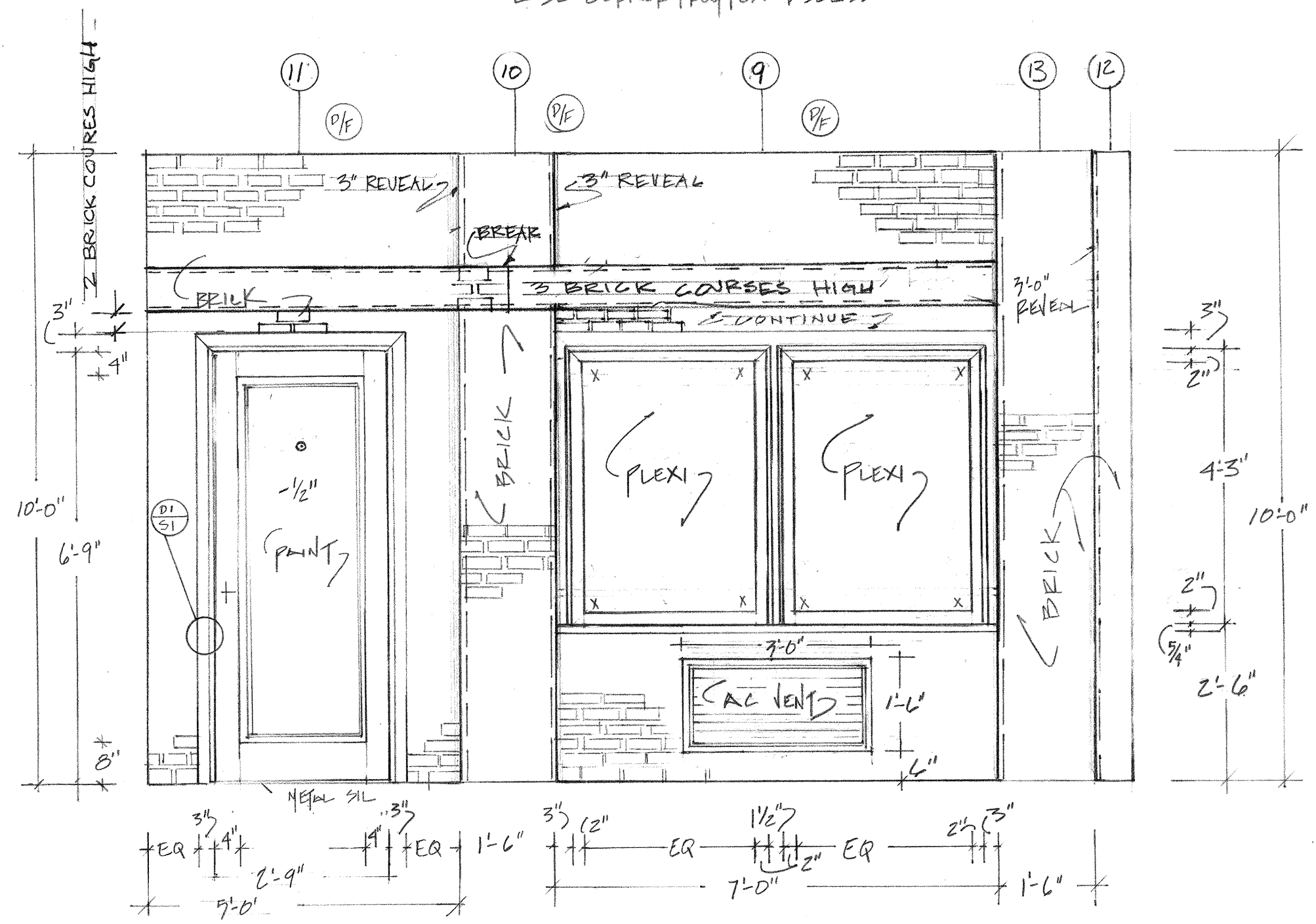


Room A
PINE CONE MOTEL
SCALE 1/4" = 1'-0"

UNION STAMP  S.D. 1104 SCENIC DESIGNER MPC	AMERICAN BROADCASTING COMPANIES abc		DRAWING NO.
	PROD: ALL MY CHILDREN	STUDIO TV	
SET: PINE CONE MOTEL E.M.A.	SCALE: 1/2" = 1'-0" NOTED	DEL. DATE: 12-5-01	OF 2
DATE: 11-19-01	DESIGNER: E. MOONEY	PROD. DATE: 12-6-01	DRAFTSMAN: M. FAHBER

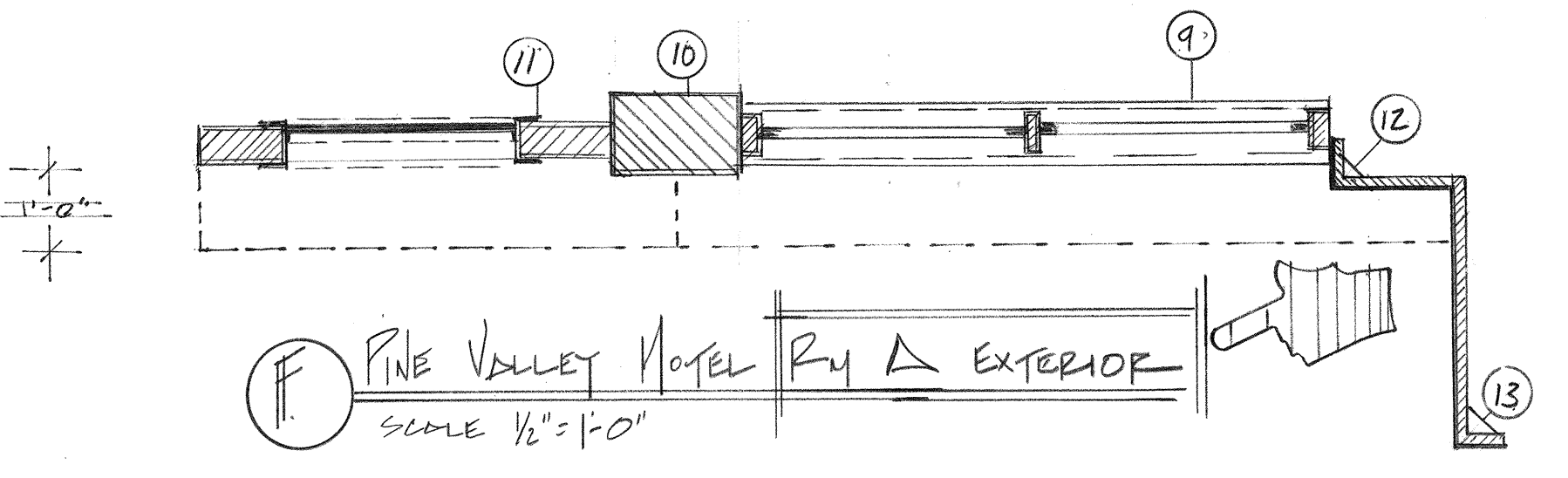
957-393-1476

NOTES:
 - ALL EXTERIOR BRICK IS FOX "B" BRICK
 - USE CORNER FROM FOX - P52455-

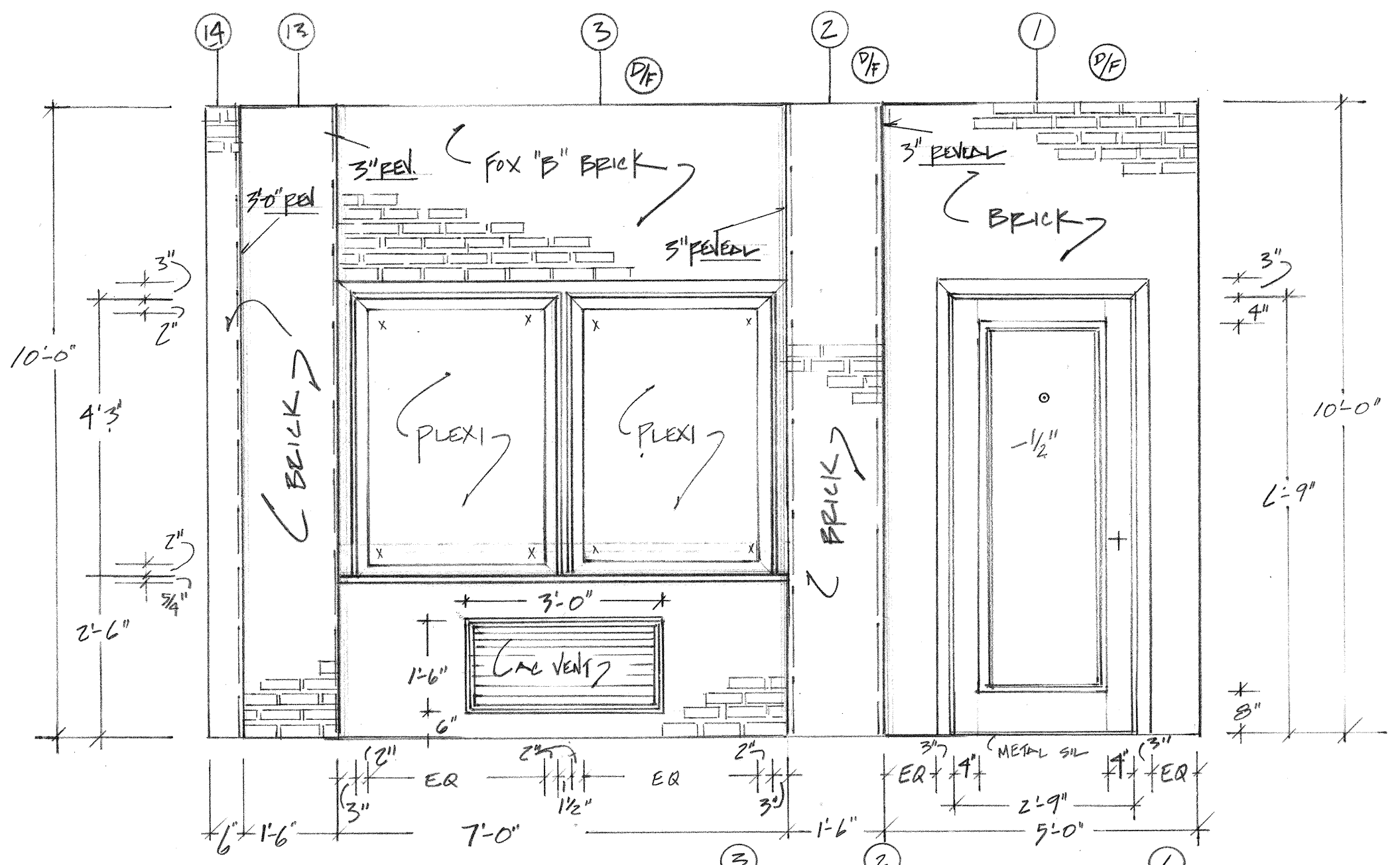


BATHROOM BACKING
 SCALE 1/2" = 1'-0"

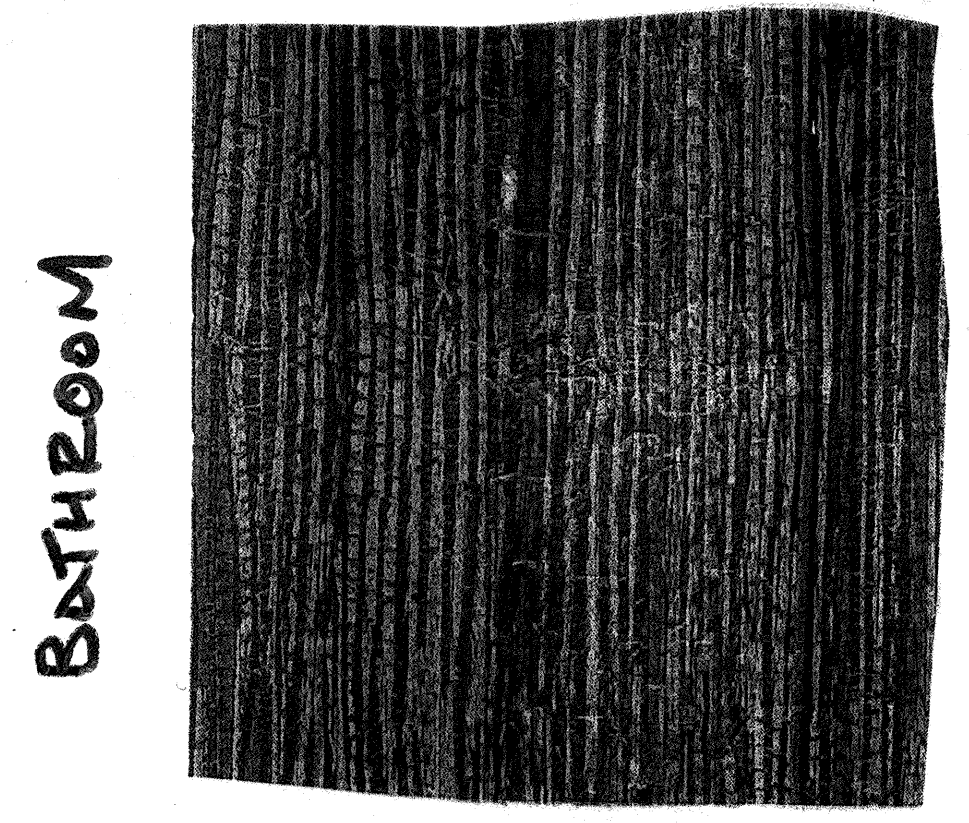
MOTEL SIGN
 SCALE 1/2" = 1'-0"



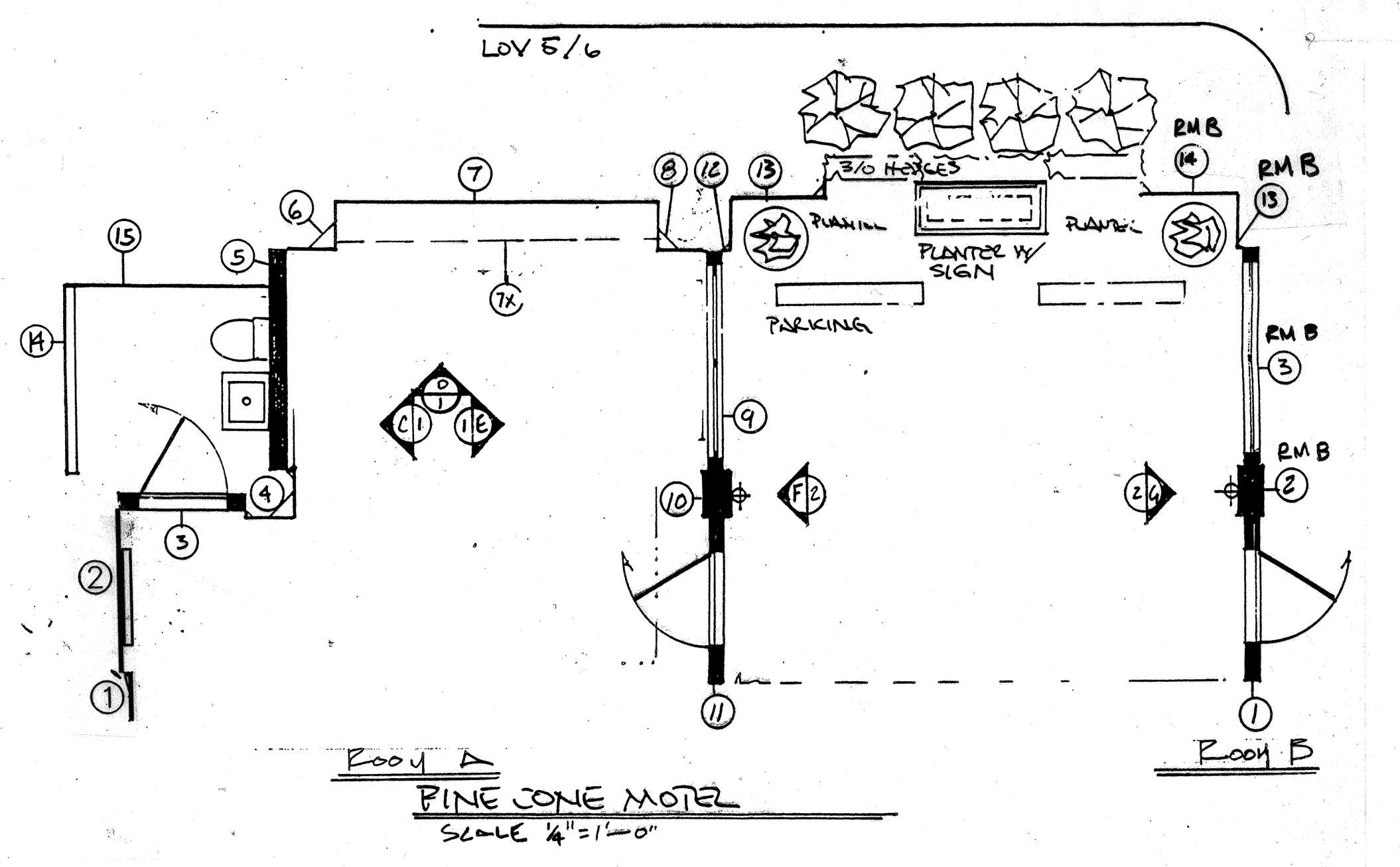
PINE VALLEY HOTEL RM A EXTERIOR
 SCALE 1/2" = 1'-0"



PINE VALLEY HOTEL RM B
 SCALE 1/2" = 1'-0"



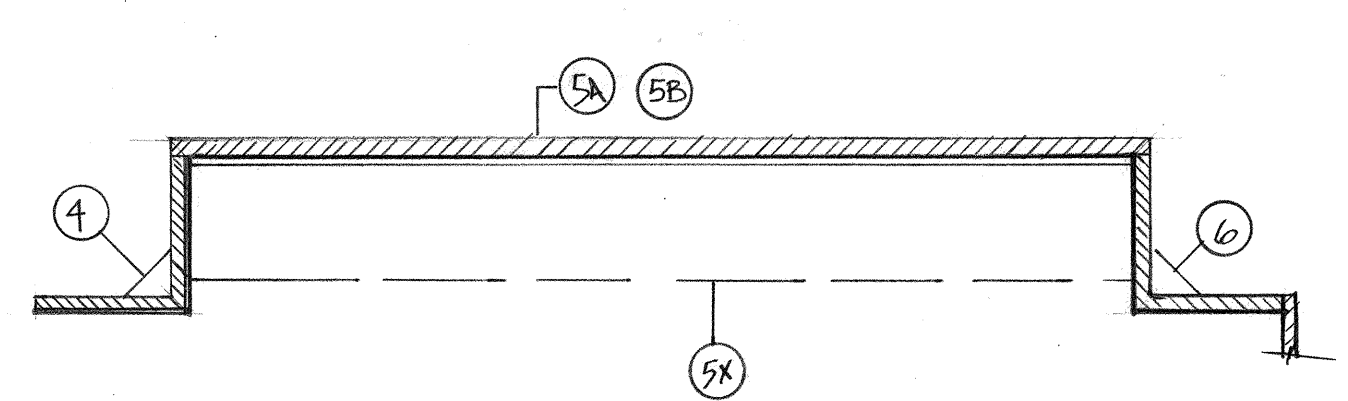
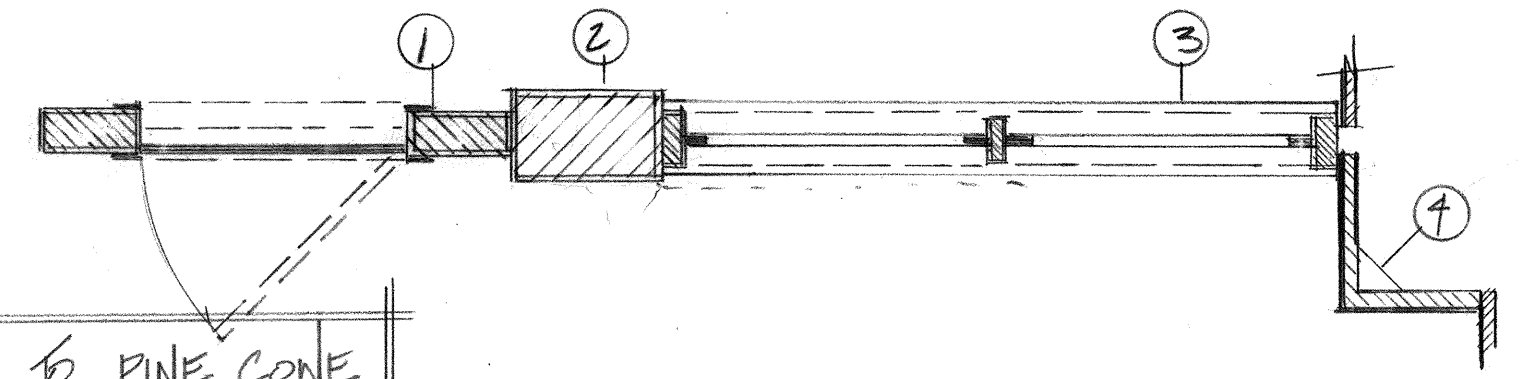
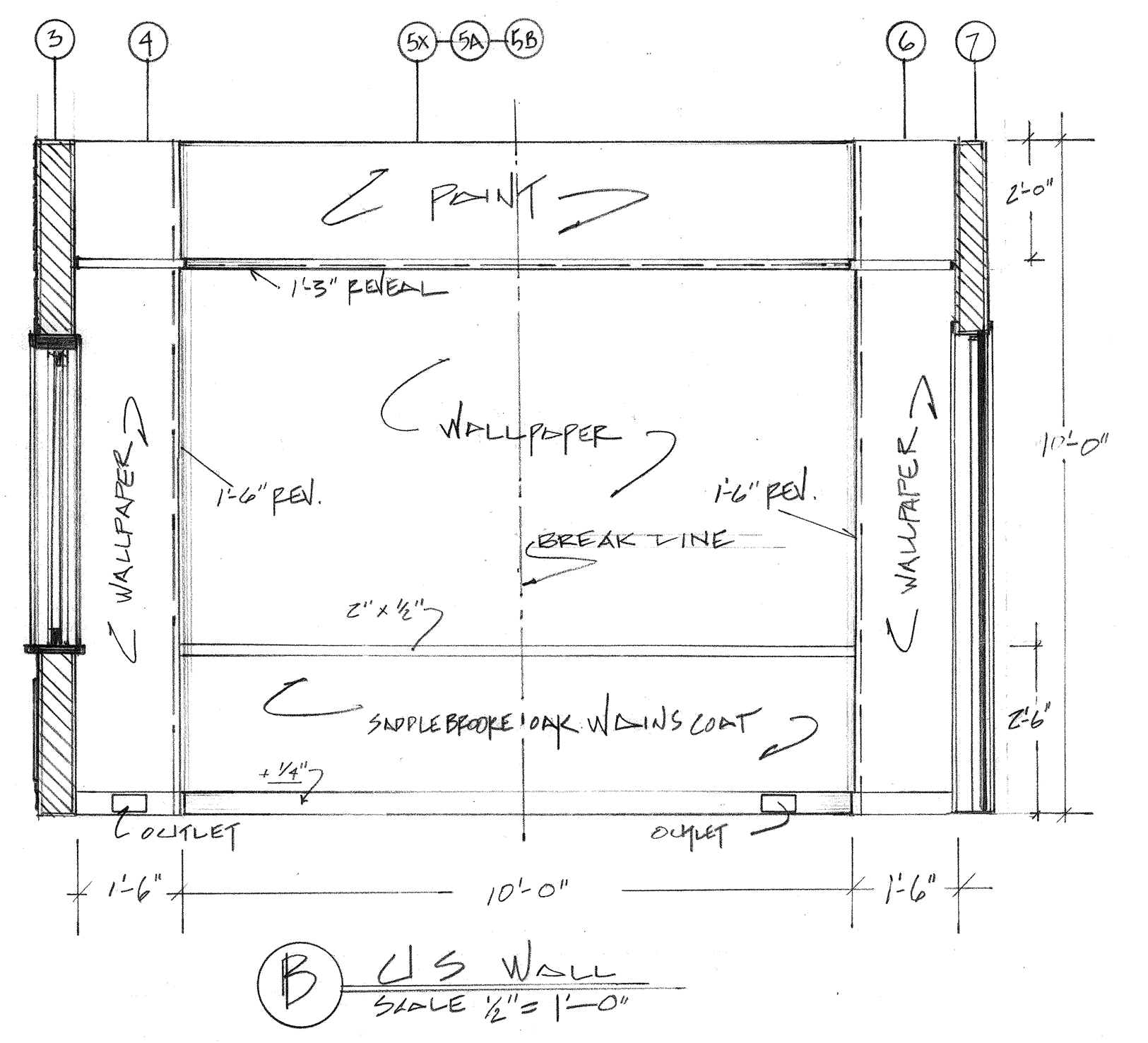
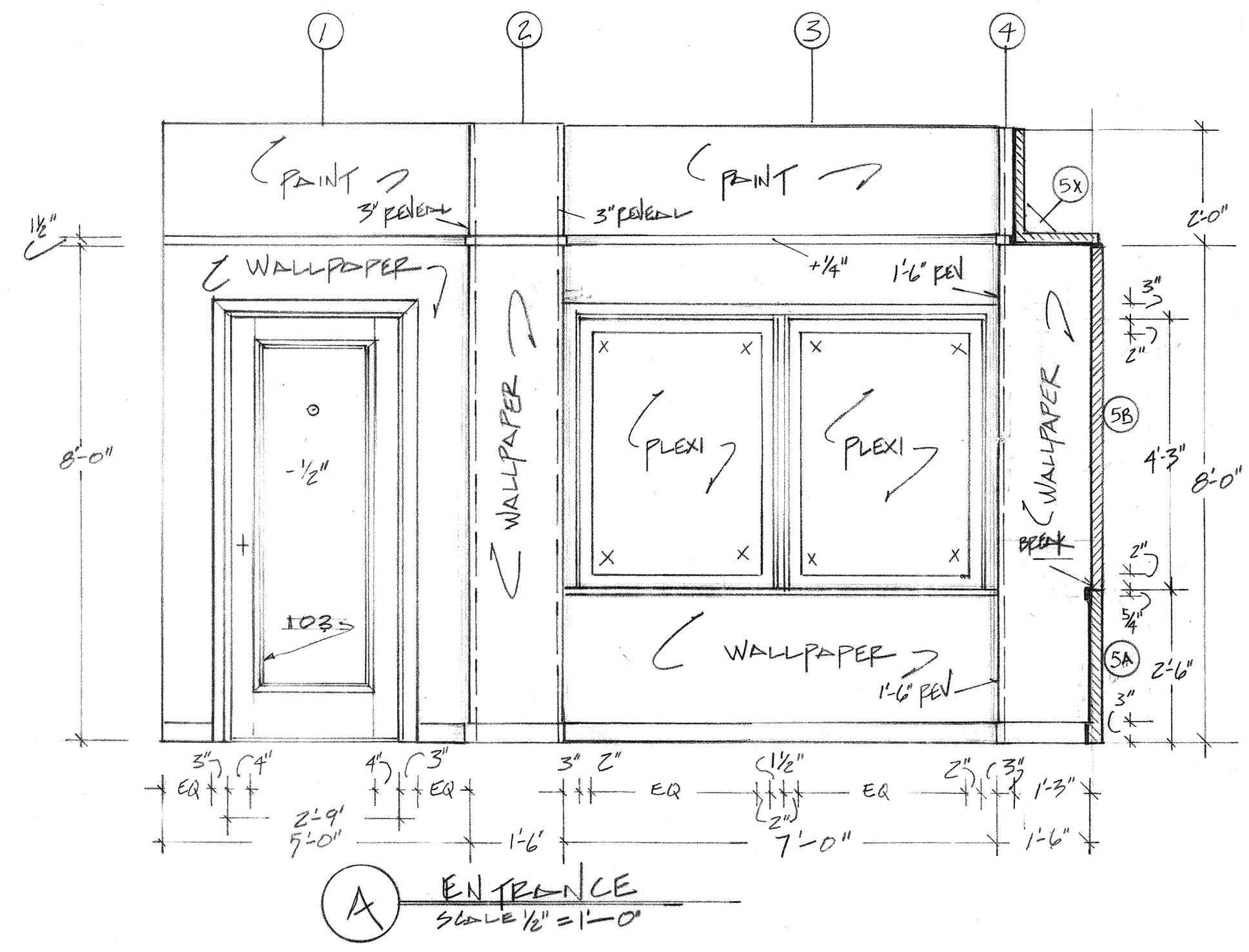
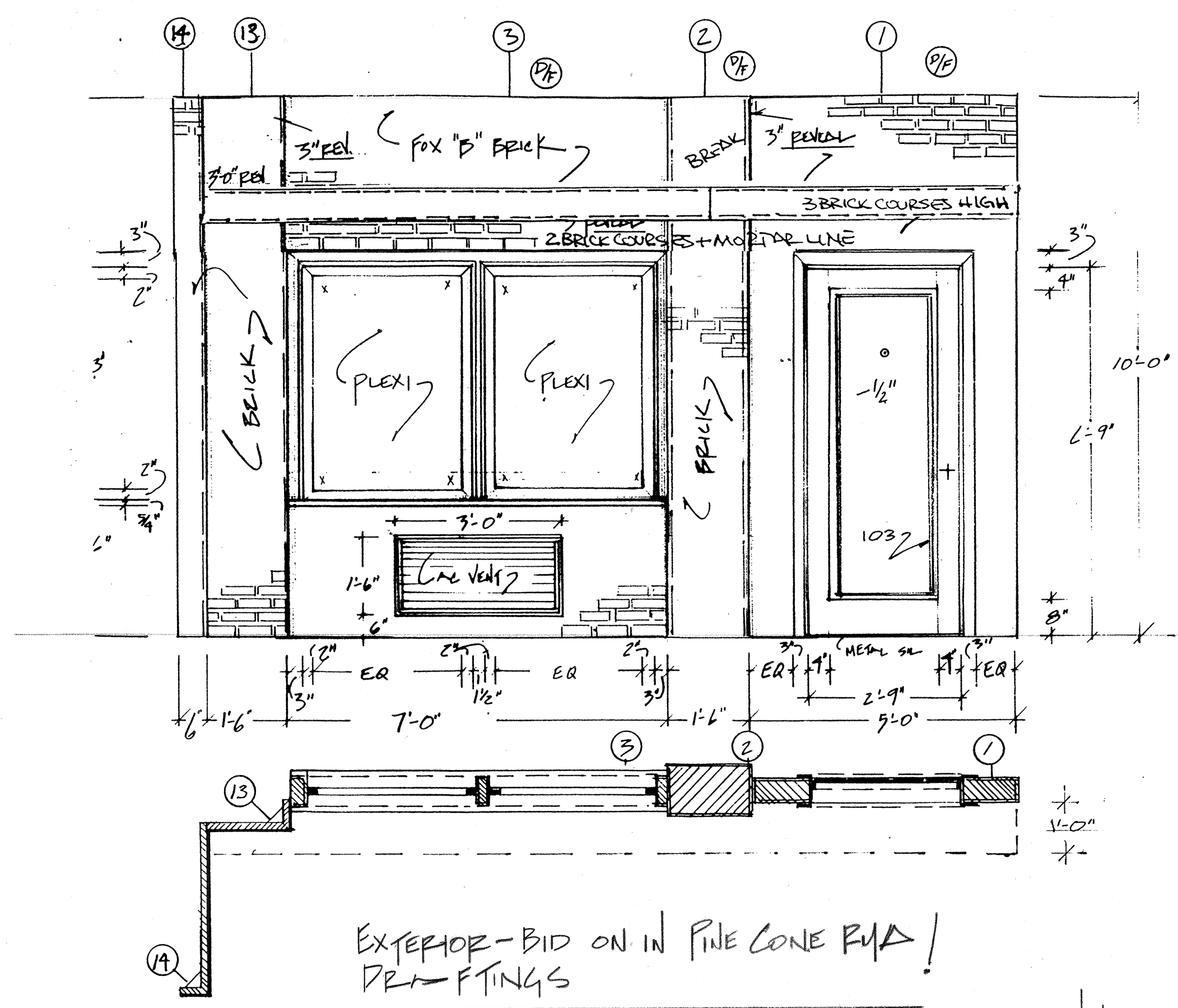
PAT NO.
 201215
 RUN NO. 2



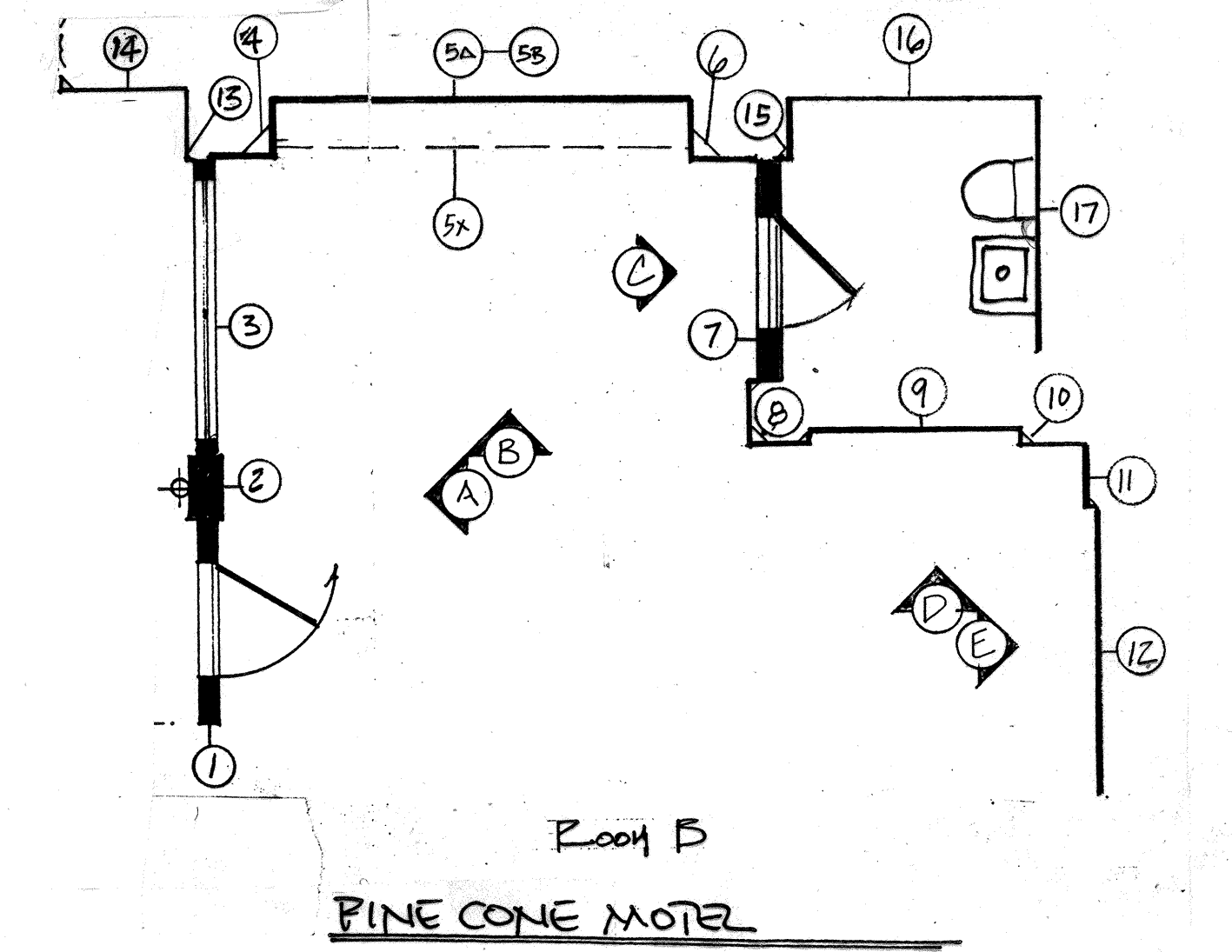
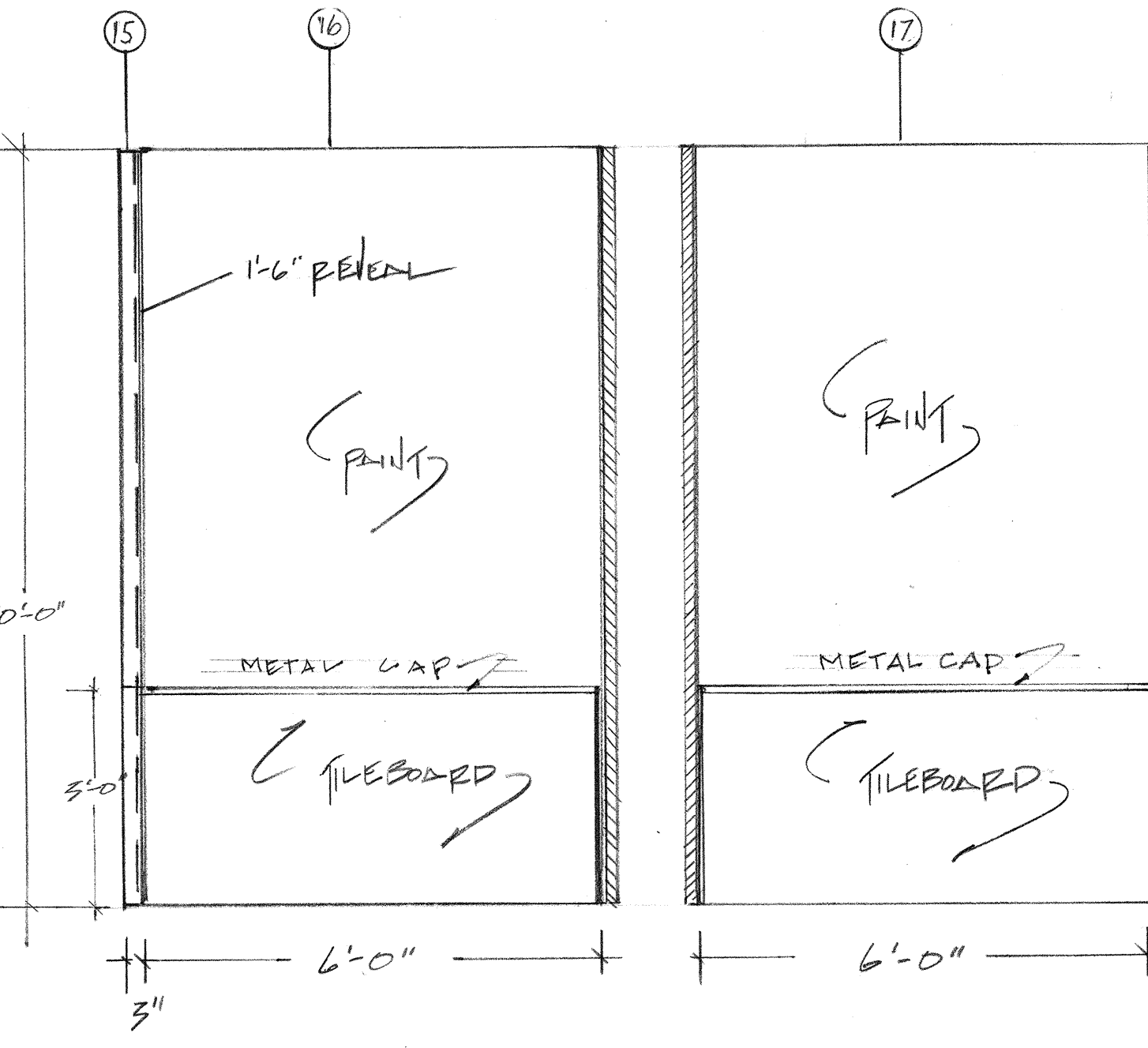
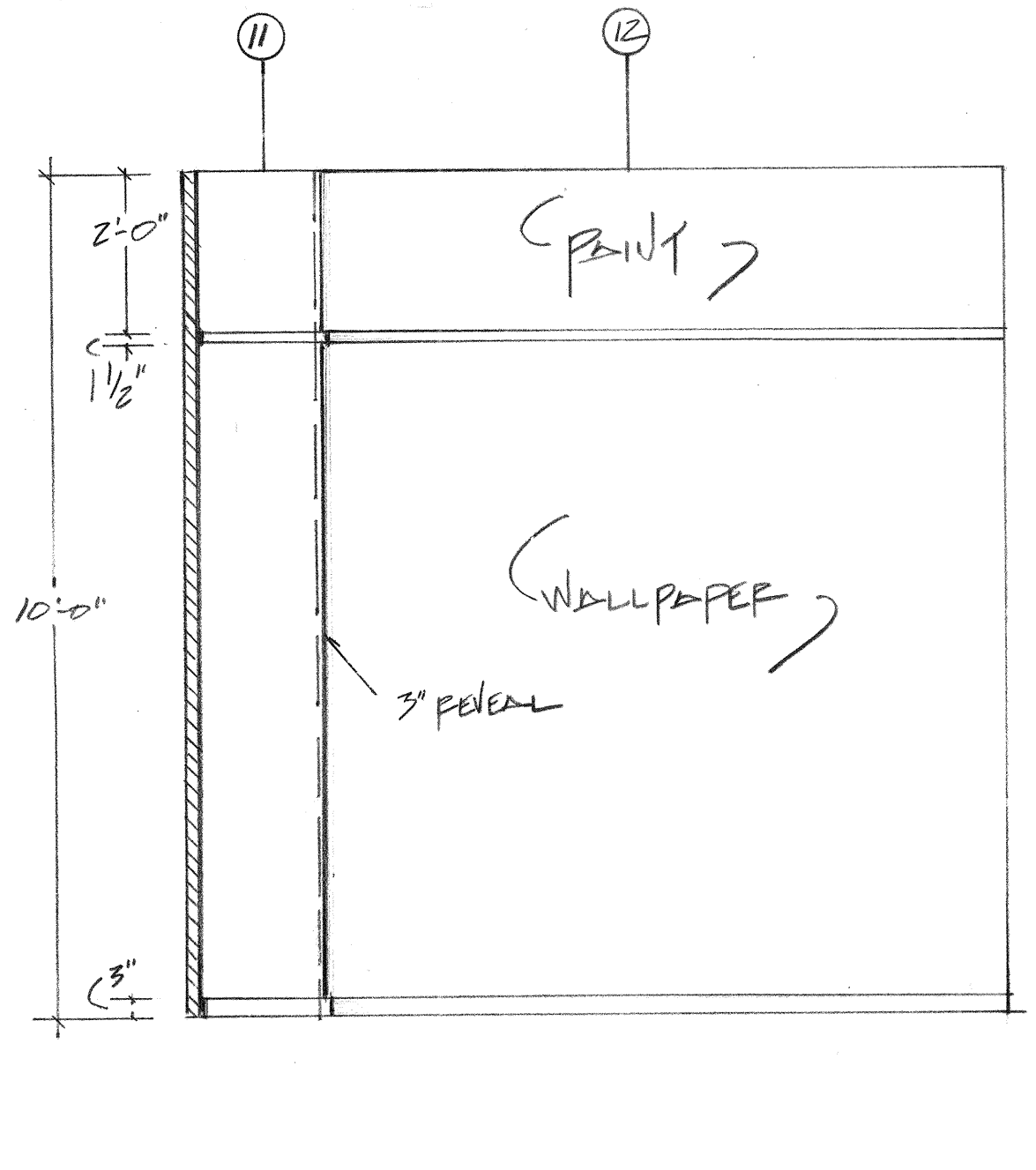
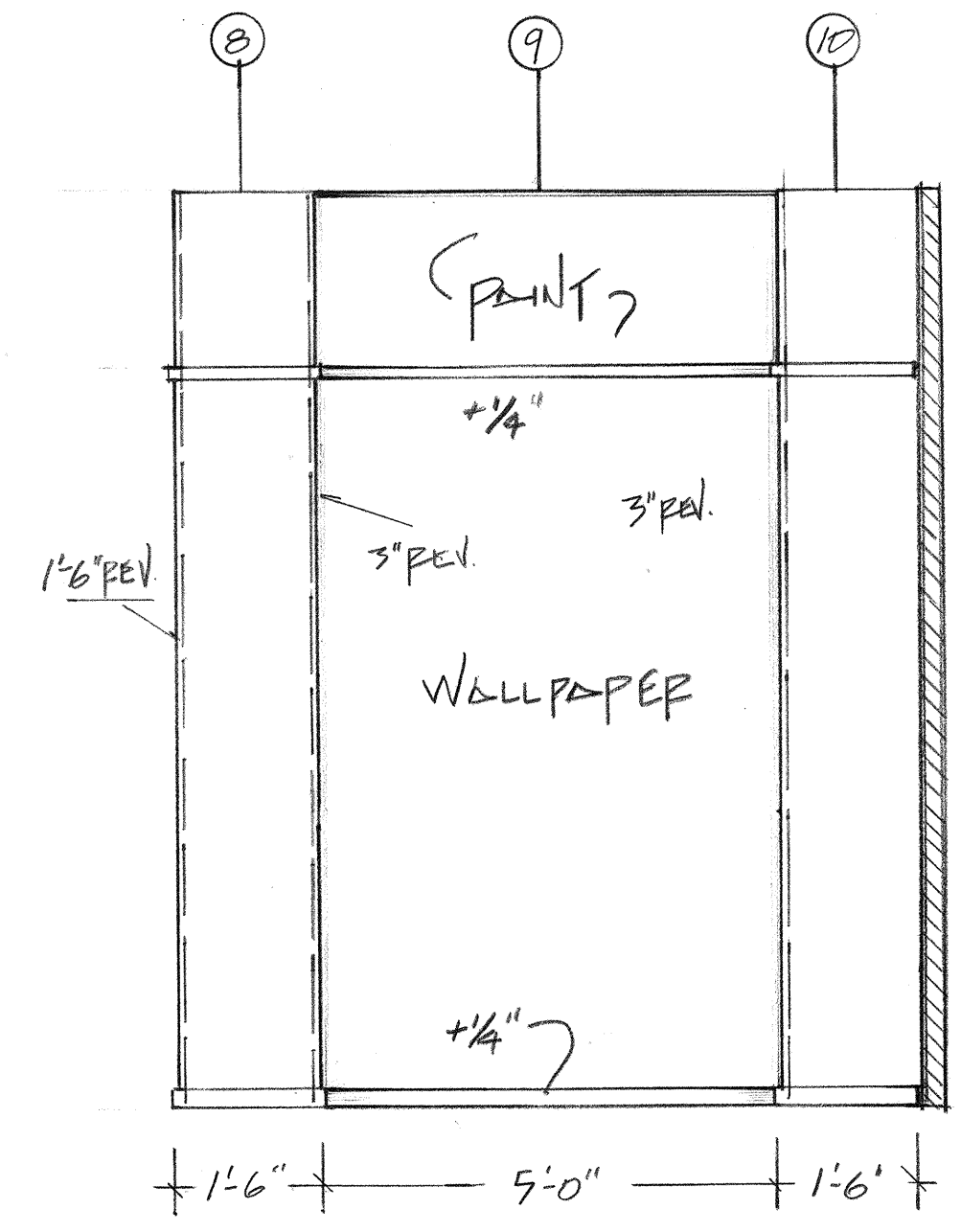
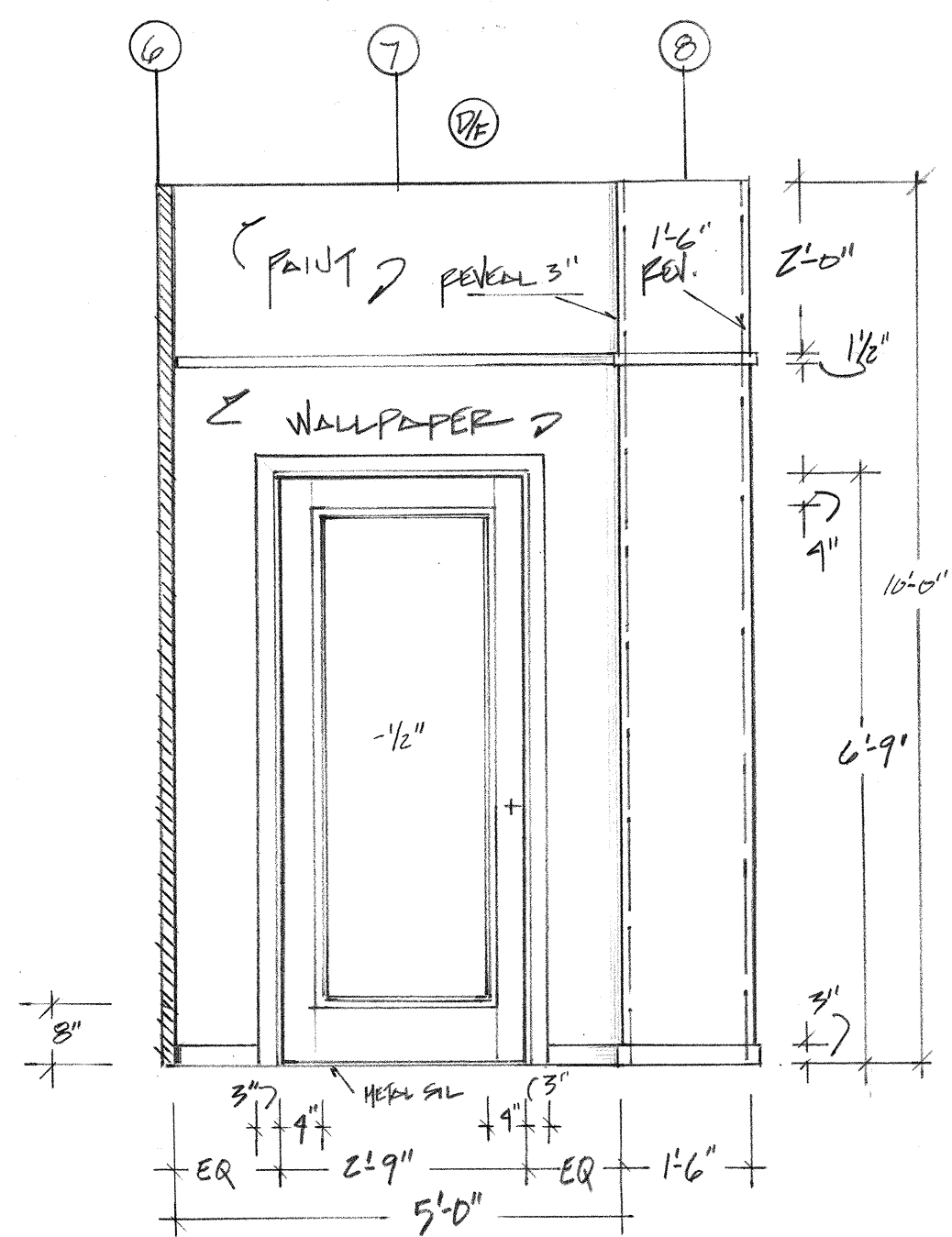
Room A
 Room B
 PINE VALLEY MOTEL
 SCALE 1/4" = 1'-0"

UNION STAMP S.D. 1104 SCENIC DESIGNER SIGNATURE: [Signature]	AMERICAN BROADCASTING COMPANIES abc		DRAWING NO.
	PROD.: ALL MY CHILDREN	STUDIO TV 23	
	SET: PINE VALLEY HOTEL RM A & B	SCALE: 1/2" = 1'-0"	
	DRAWN: 11-19-01	PROD. DATE: 12-6-01	OF 2
DATE:	DESIGNER: E. MOONEY	DRAFTSMAN: M. FAHBER	

REVISED
 11/29/01



NOTE: MATCH ALL HOLDING TO PINE CONE MOTEL RM A

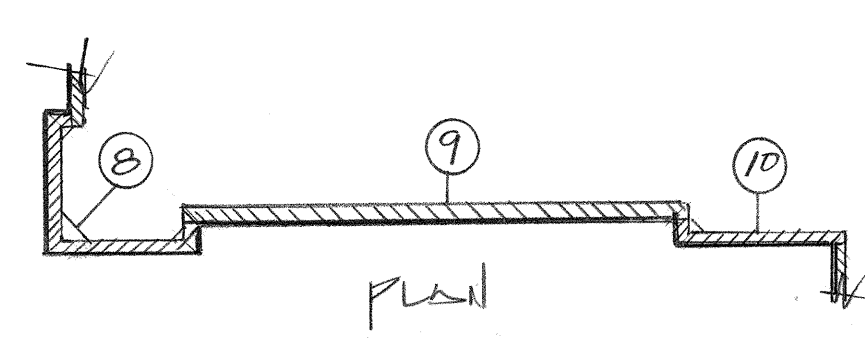
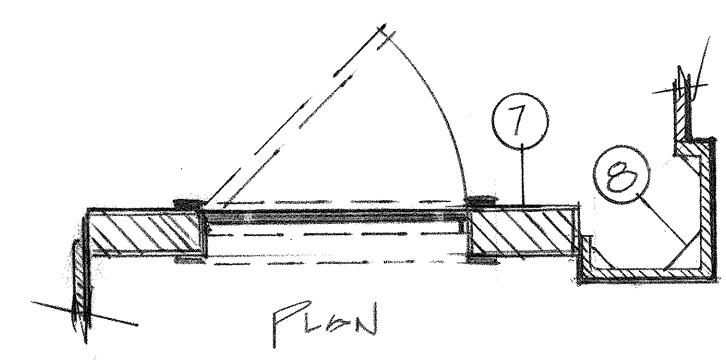


C BATHROOM DOOR SCALE 1/2" = 1'-0"

D SL WALL SCALE 1/2" = 1'-0"

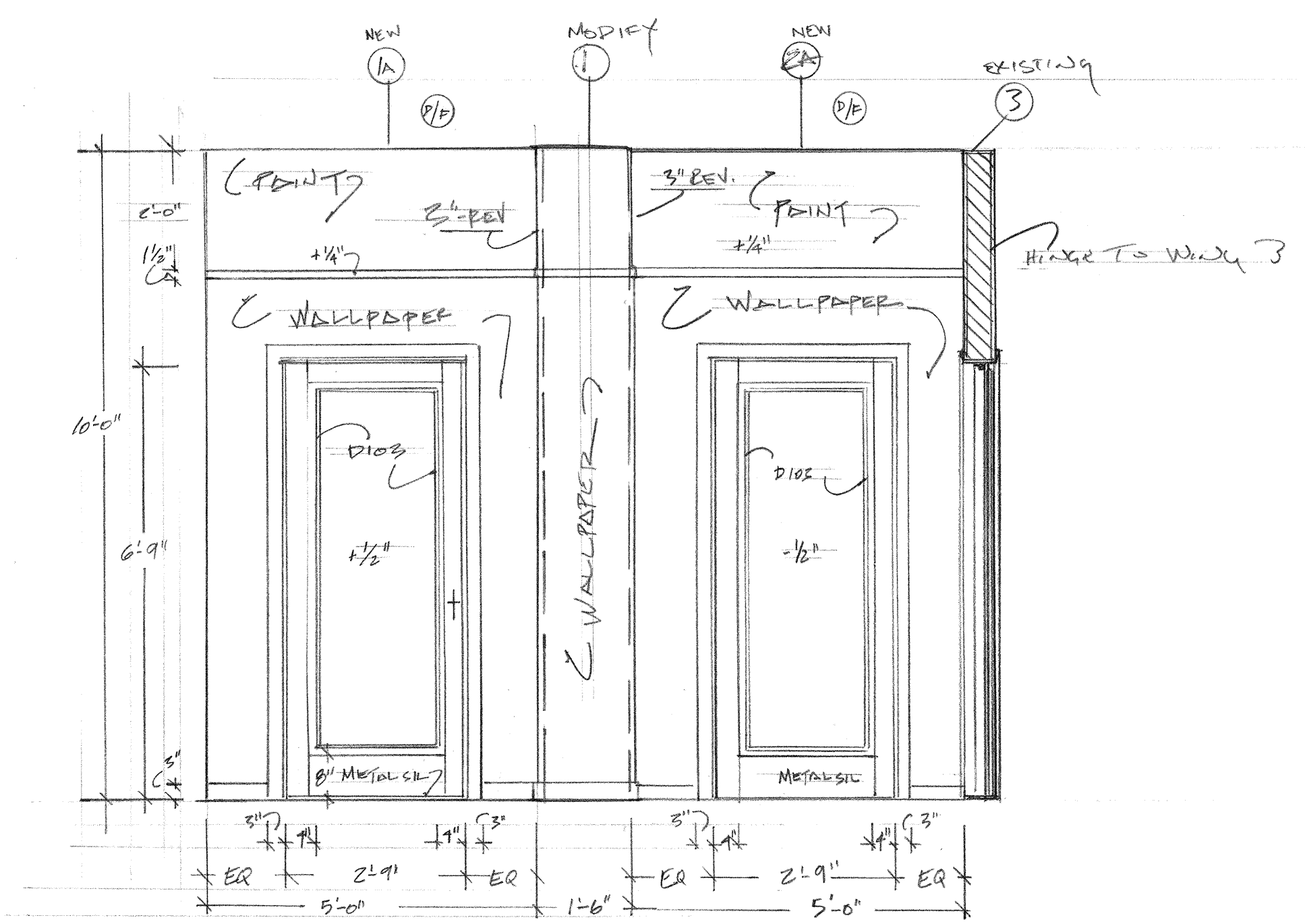
E SL WALL SCALE 1/2" = 1'-0"

F BATHROOM BACKING SCALE 1/2" = 1'-0"

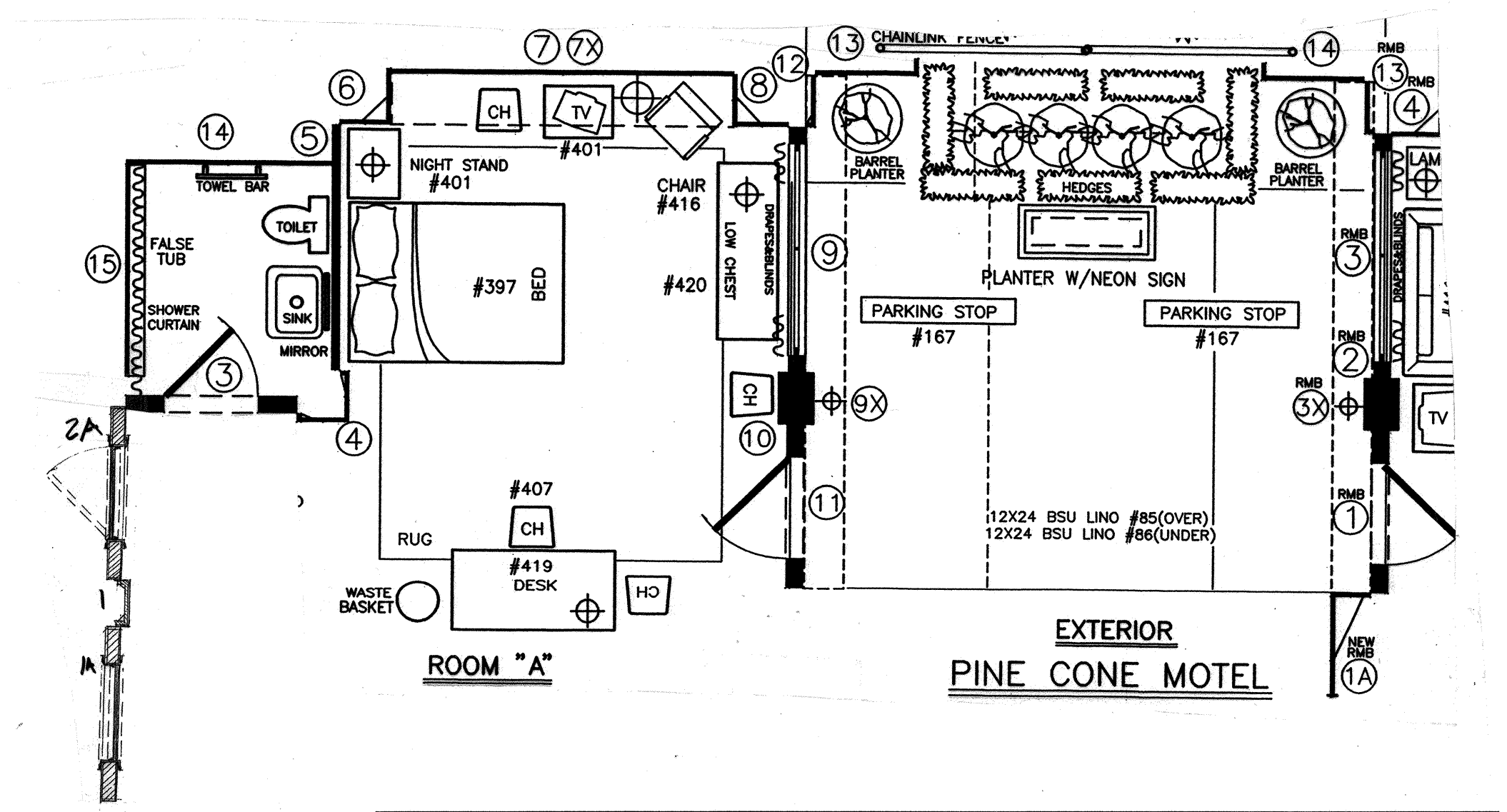
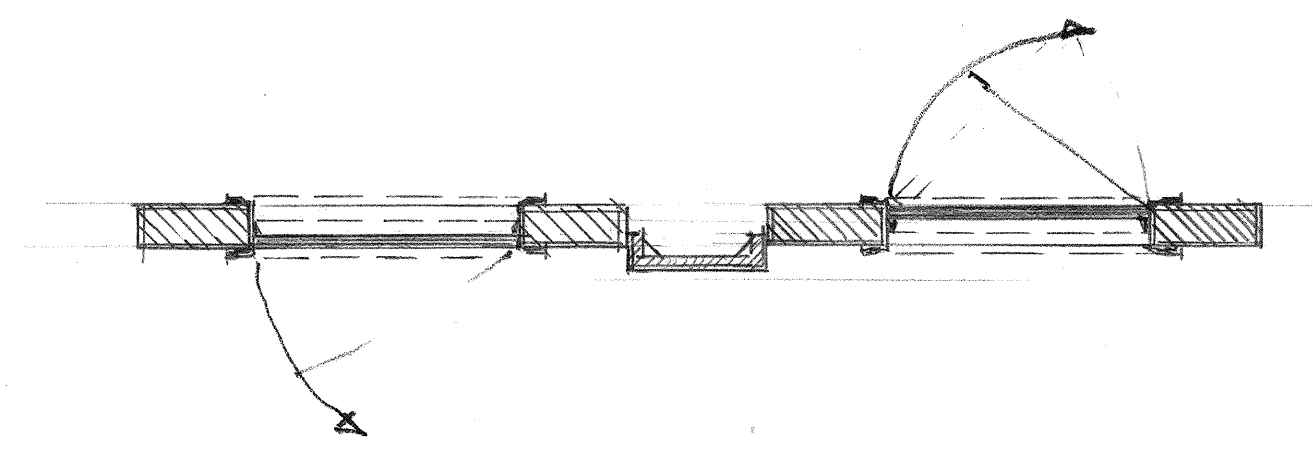


REVISED 11/23/01

<p>S.D. 1104 SCENIC DESIGNER</p>	<p>AMERICAN BROADCASTING COMPANIES abc</p>		<p>DRAWING NO.</p>
	<p>PROD: ALL MY CHILDREN</p>	<p>STUDIO TV 23</p>	<p>1 OF 2</p>
	<p>SET: PINECONE MOTEL RM B</p>	<p>DEL. DATE: 12-14-01</p>	
	<p>SCALE: 1/2" = 1'-0"</p>	<p>PROD. DATE: 12-17-01</p>	
	<p>DESIGNER: P. MOONEY</p>	<p>DRAFTSMAN: M. F. WHEE</p>	



○ HOTEL ROOM DOORS
SCALE 1/8" = 1'-0"



UNION STAMP	AMERICAN BROADCASTING COMPANIES abc		DRAWING NO.
	PROD: <i>DL My Child</i>	STUDIO TV 23	<i>2A</i>
	SET: <i>Pine Cone Motel Pt A</i>		
	SCALE: <i>1/8" = 1'-0"</i>	DEL. DATE: <i>7-30</i>	OF <i>2</i>
	DRAWN: <i>7-23</i>	PROD. DATE: <i>8-3</i>	
	DESIGNER: <i>P. [unclear]</i>	DRAFTSMAN: <i>[unclear]</i>	