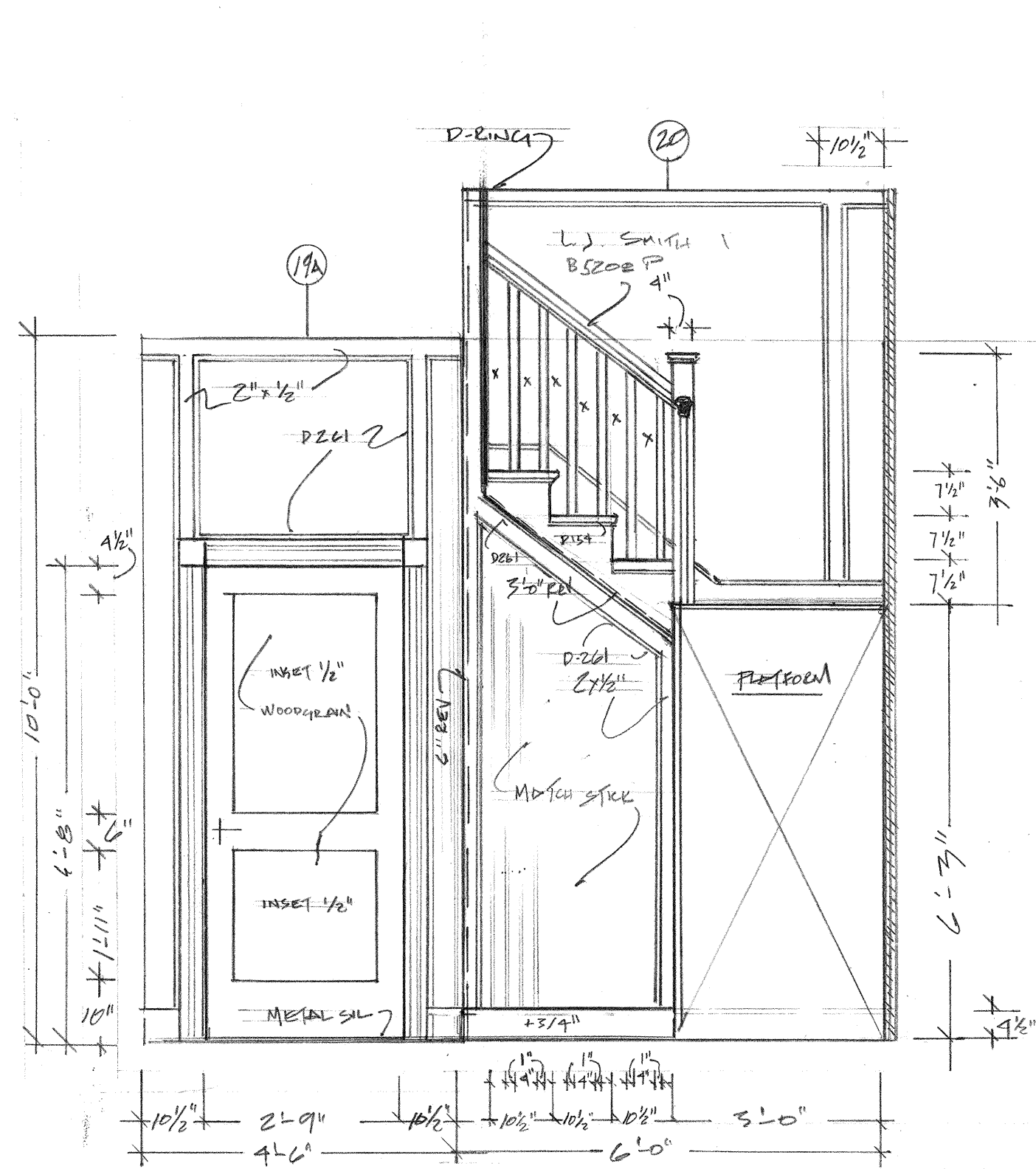
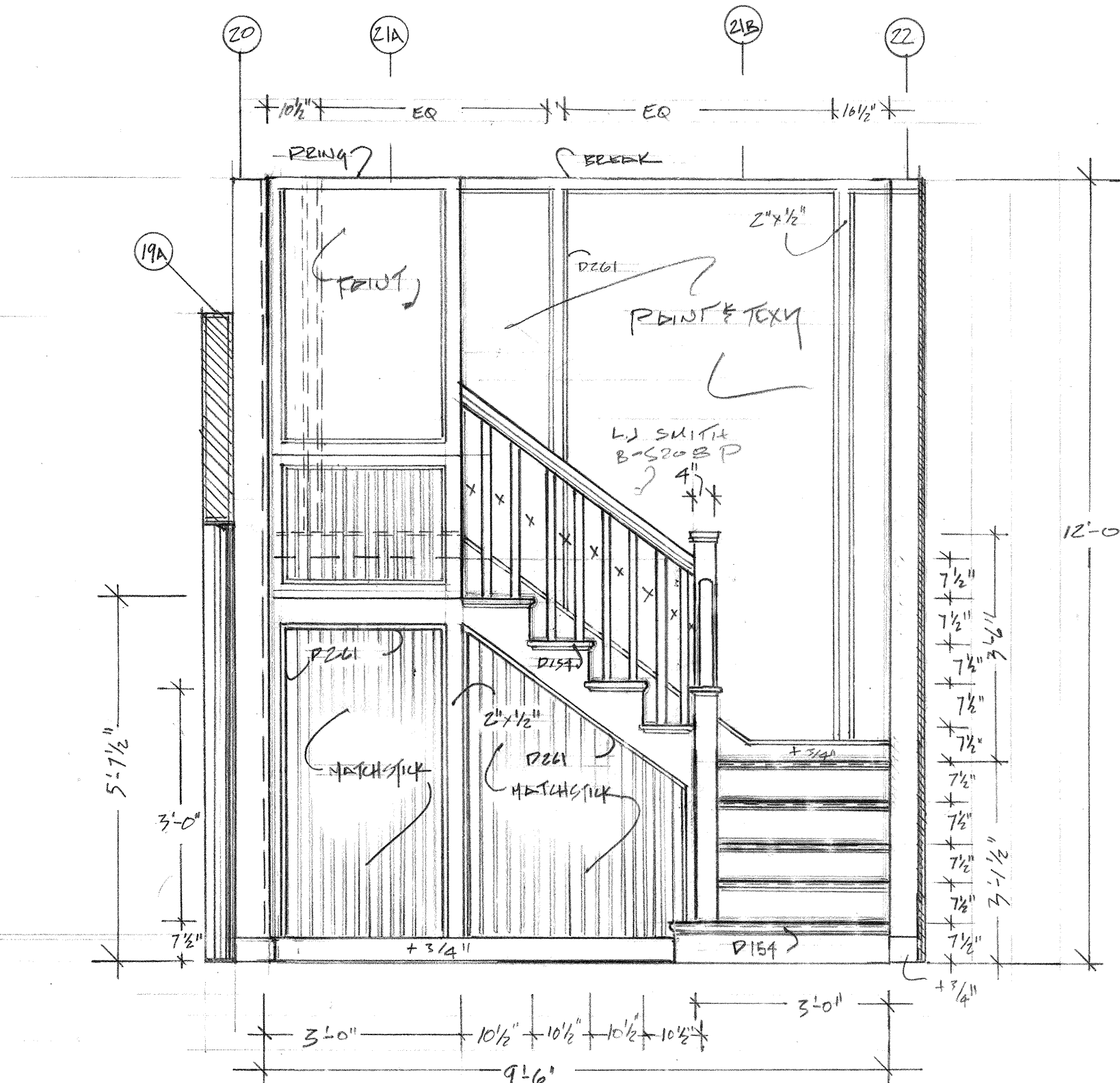
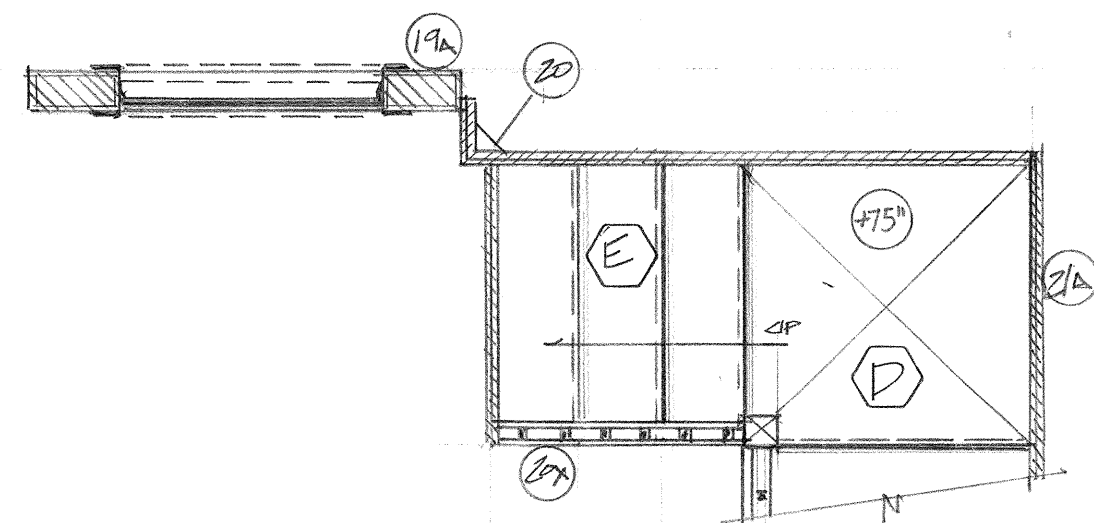


	AMERICAN BROADCASTING COMPANIES		DRAWING NO.	
	PROD: "ALL MY CHILDREN"		STUDIO TV 23	
	SET: ROADSIDE BAR		1	
	SCALE: 1/2" = 1'-0"	DEL. DATE: 1/29/4	OF 3	
	DRAWN: DATE: 1/14/04	PROD. DATE: 1/30/4	DESIGNER: R. MOONEY	
SIGNATURE: <i>[Signature]</i>		DRAFTSMAN: CHRIS B. PLUMMER		

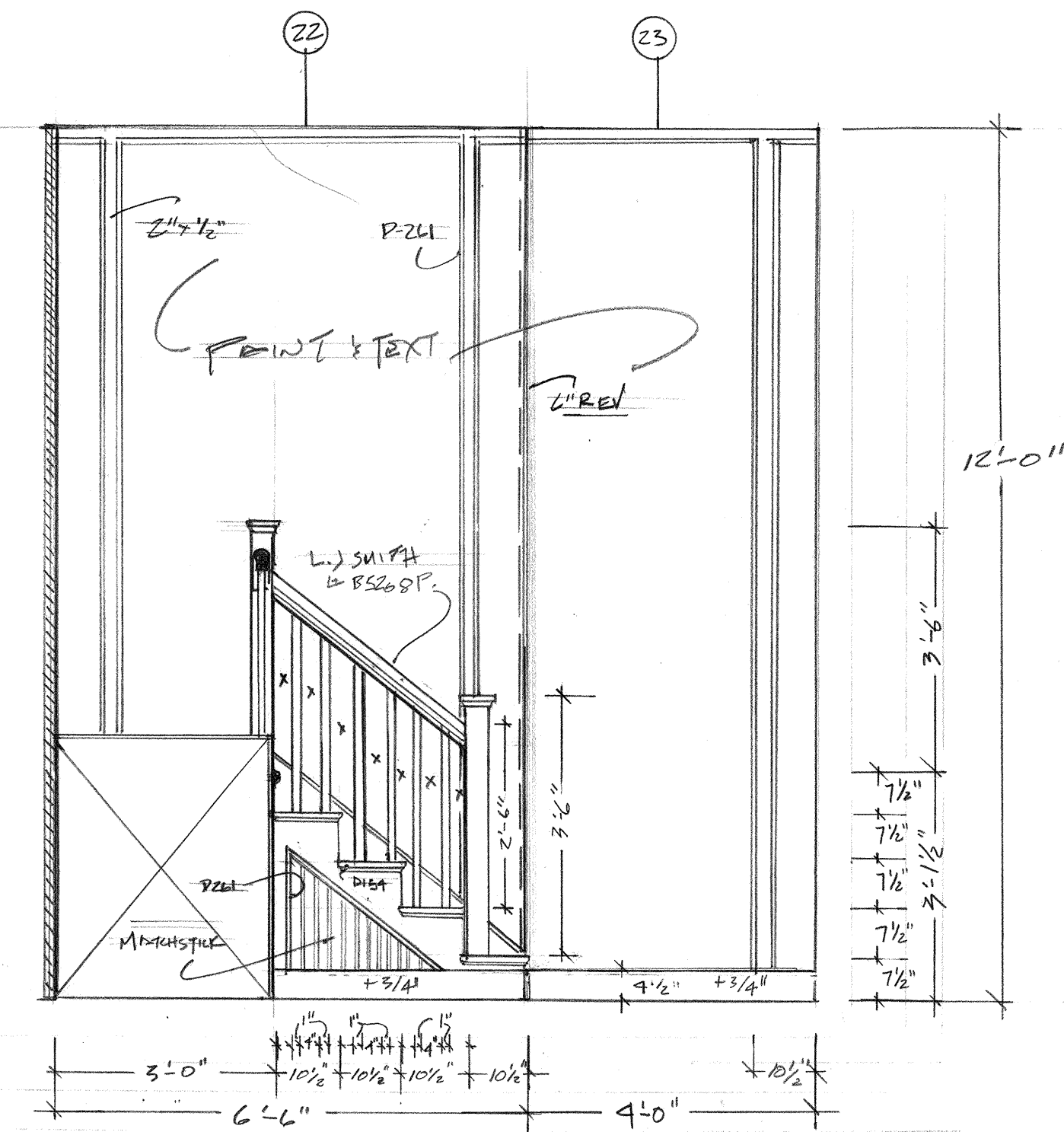
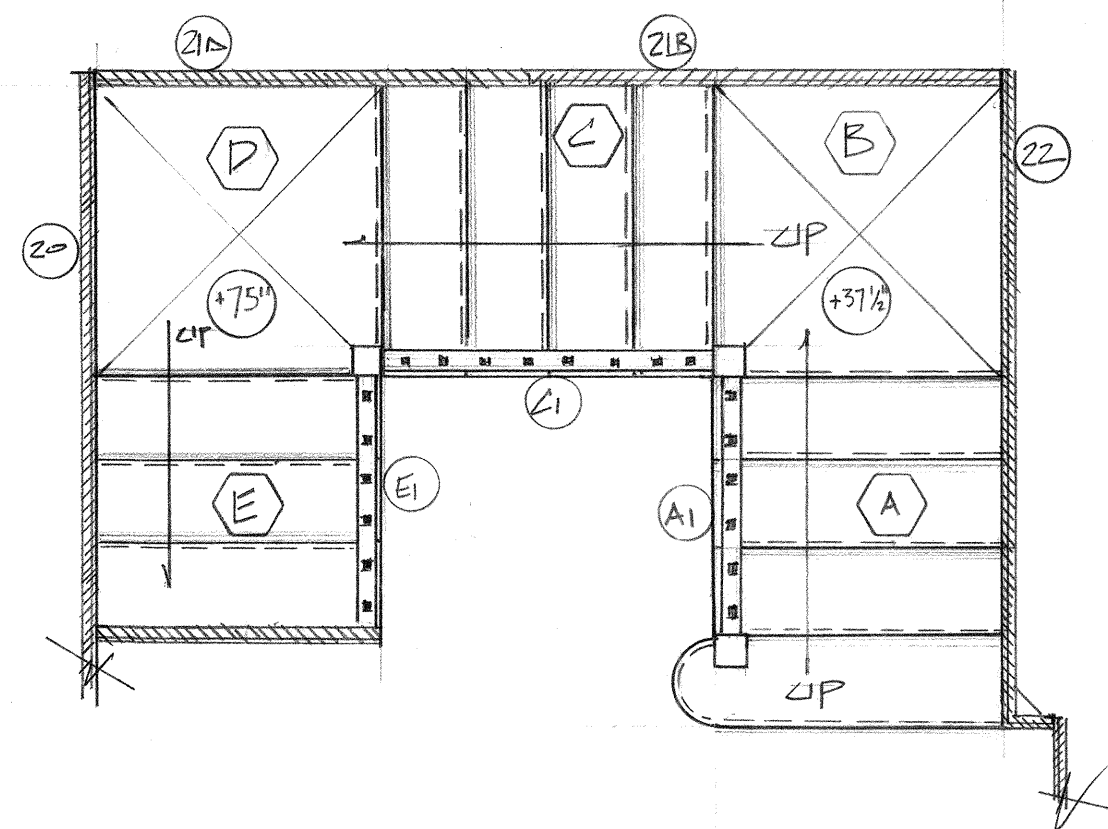
ROADSIDE BAR



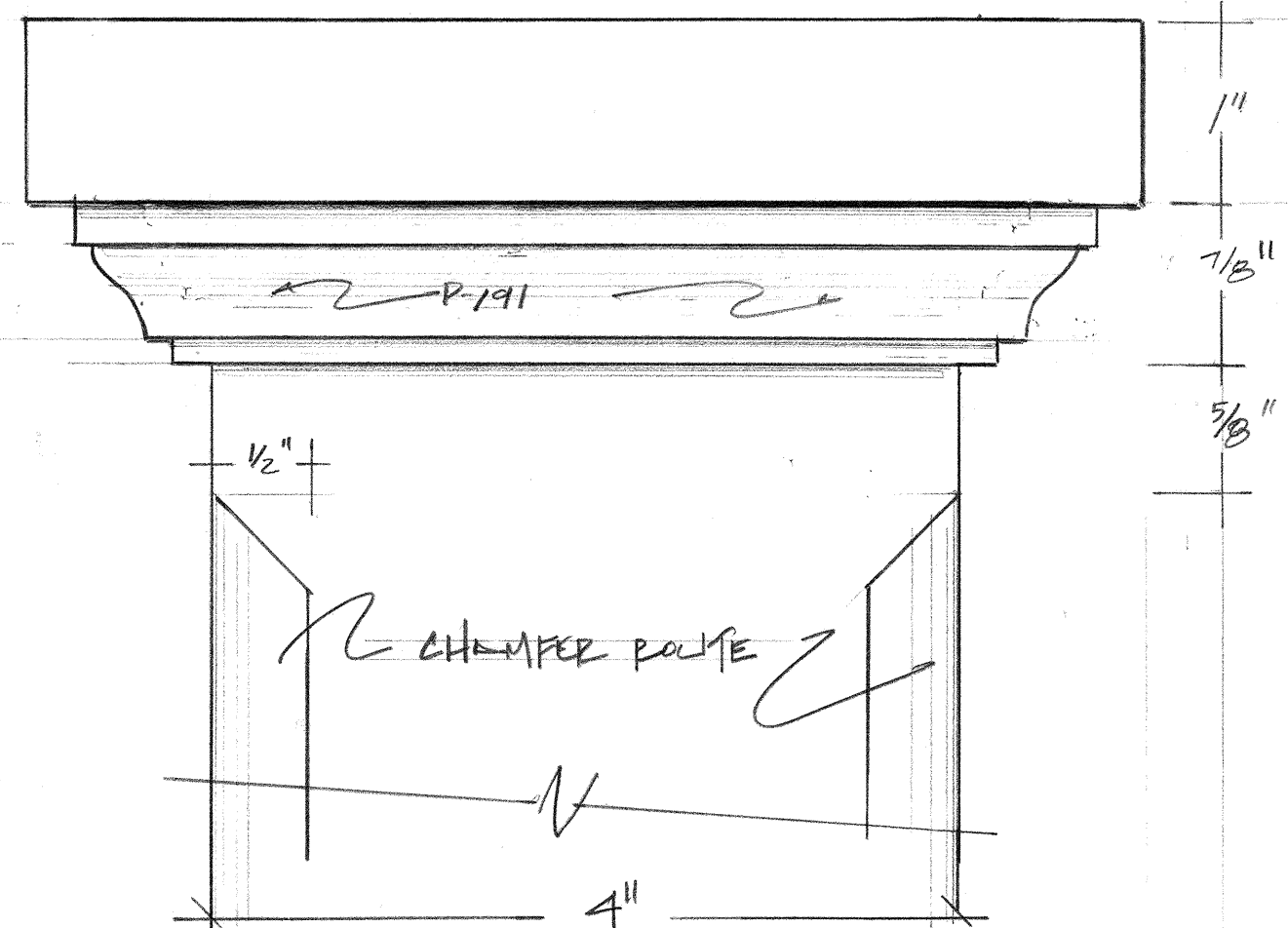
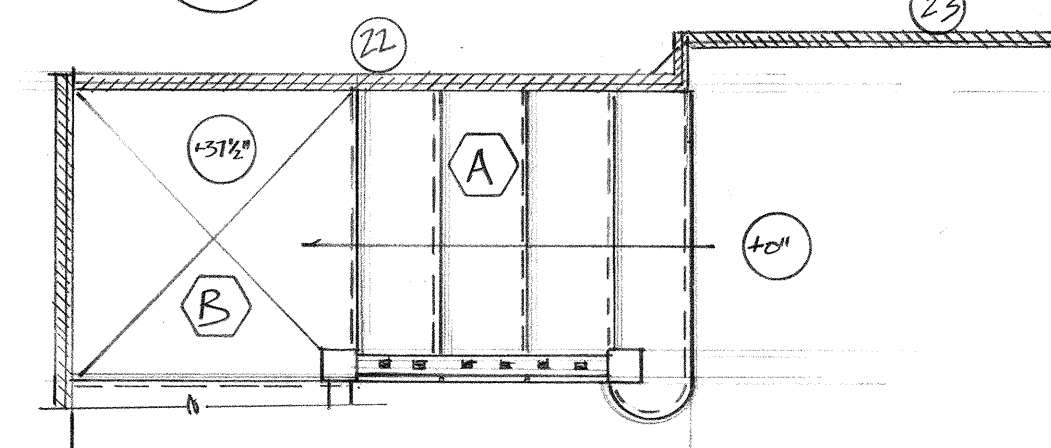
A. STAIR ENTRANCE
SCALE 1/2" = 1'-0"



B. STAIRS U.S.
SCALE 1/2" = 1'-0"

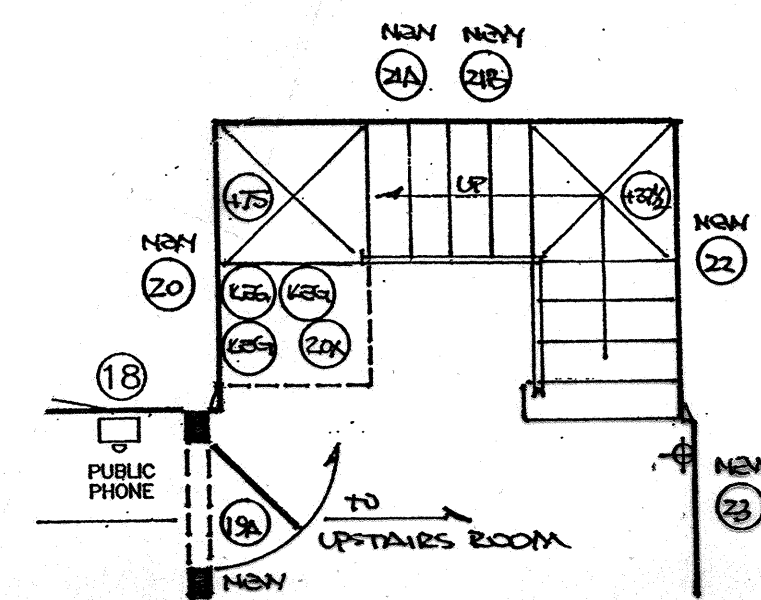
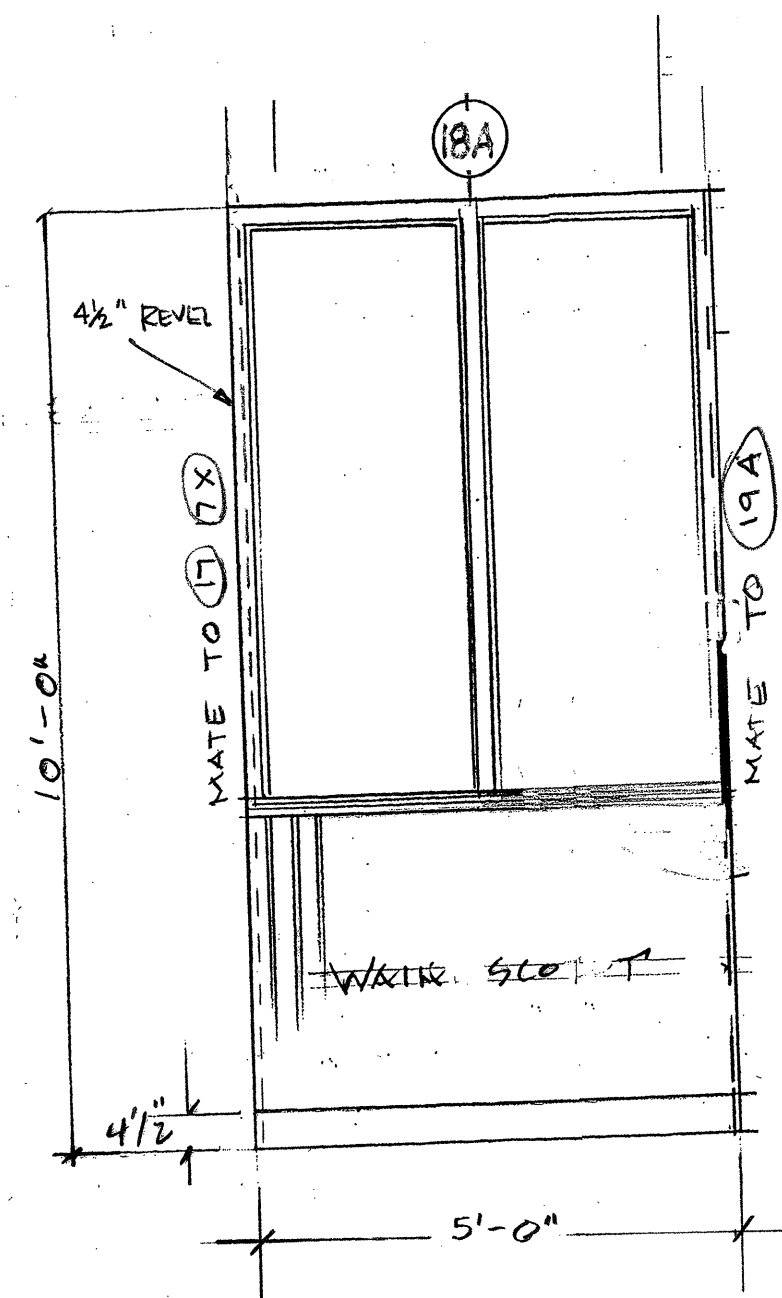


C. SL STAIRS
SCALE 1/2" = 1'-0"




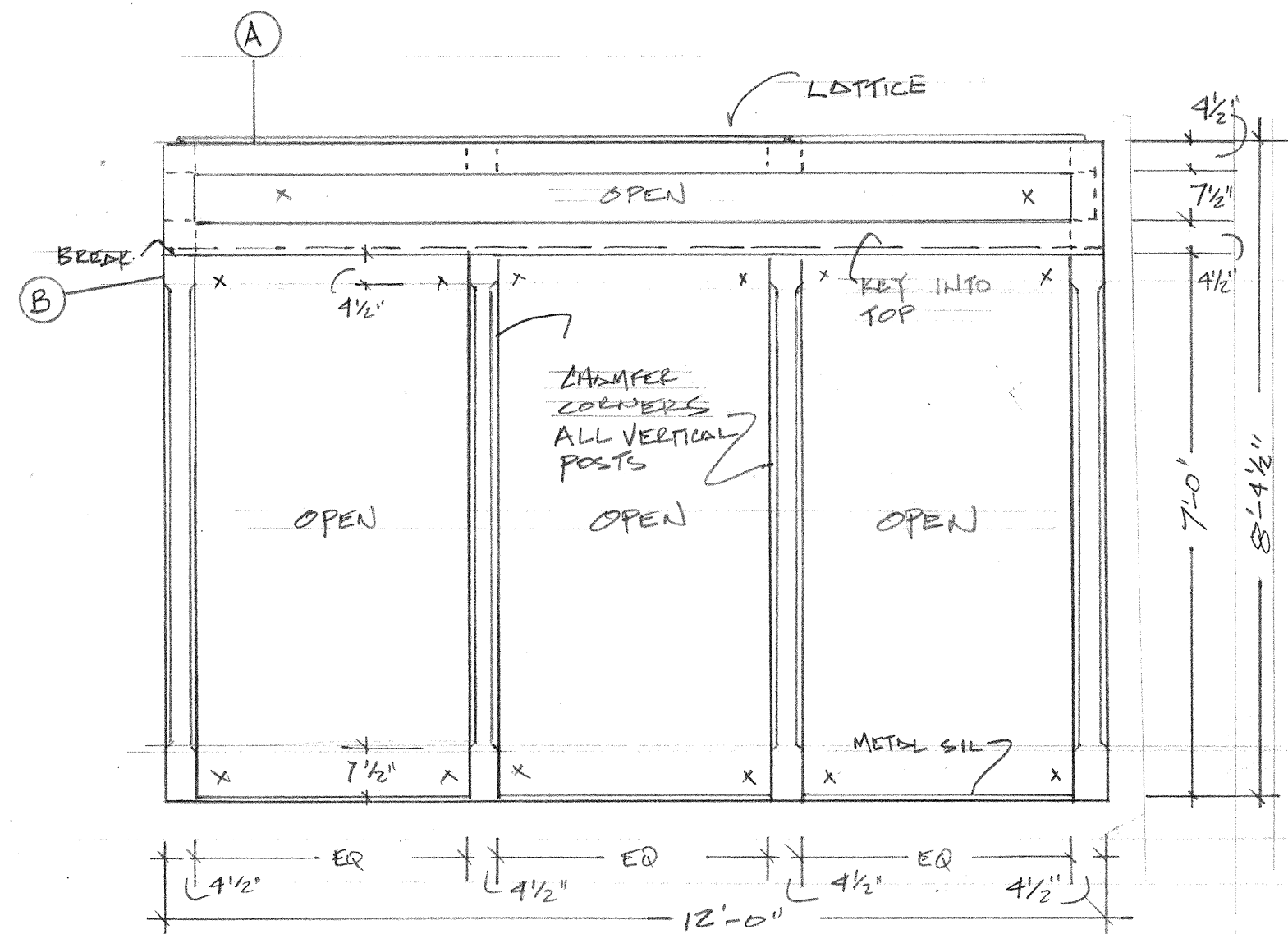
D1. POST DETAIL
FULL SCALE

NOTE!
SECUP DEPEND ALL

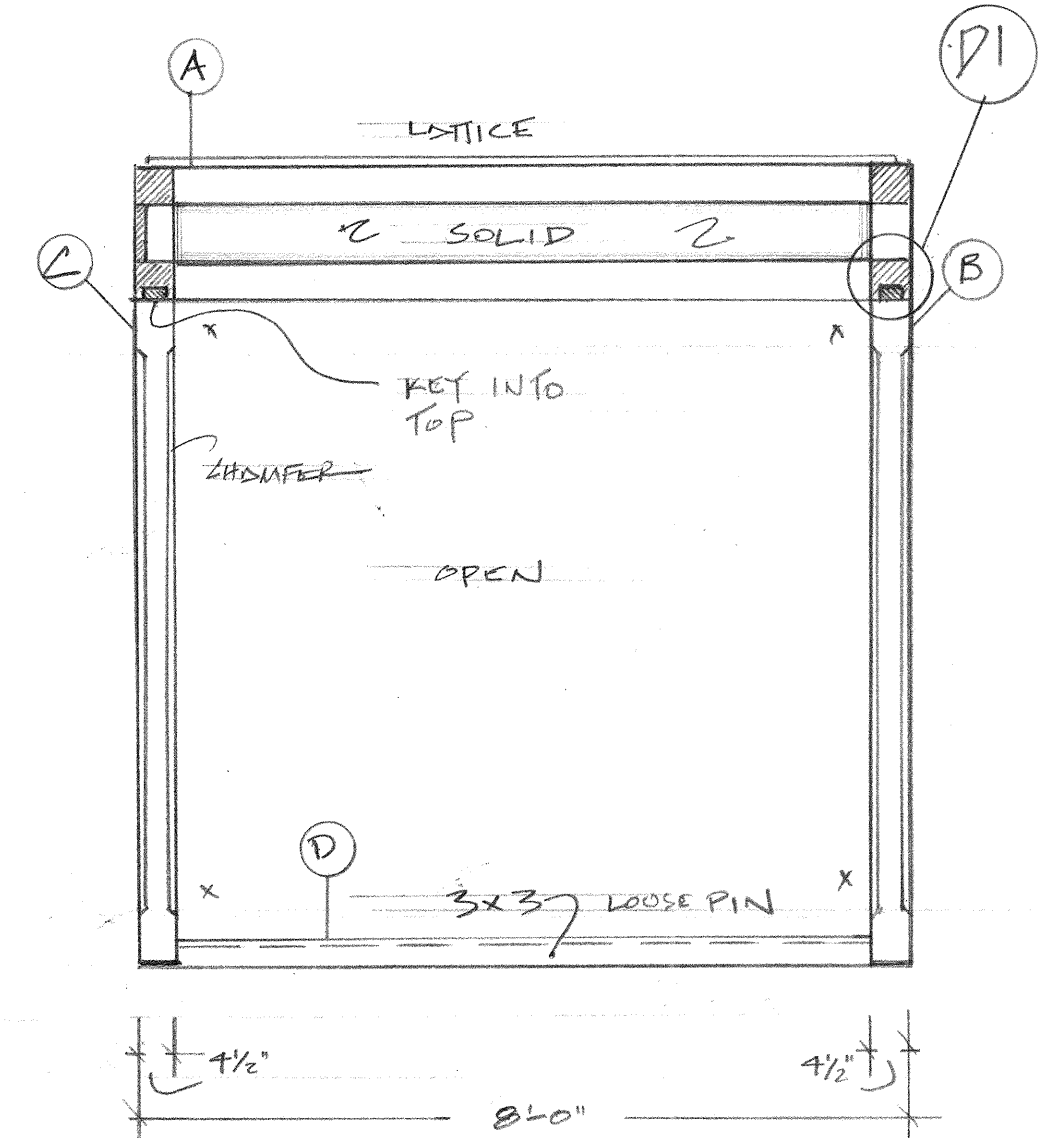


REVISED
9-19

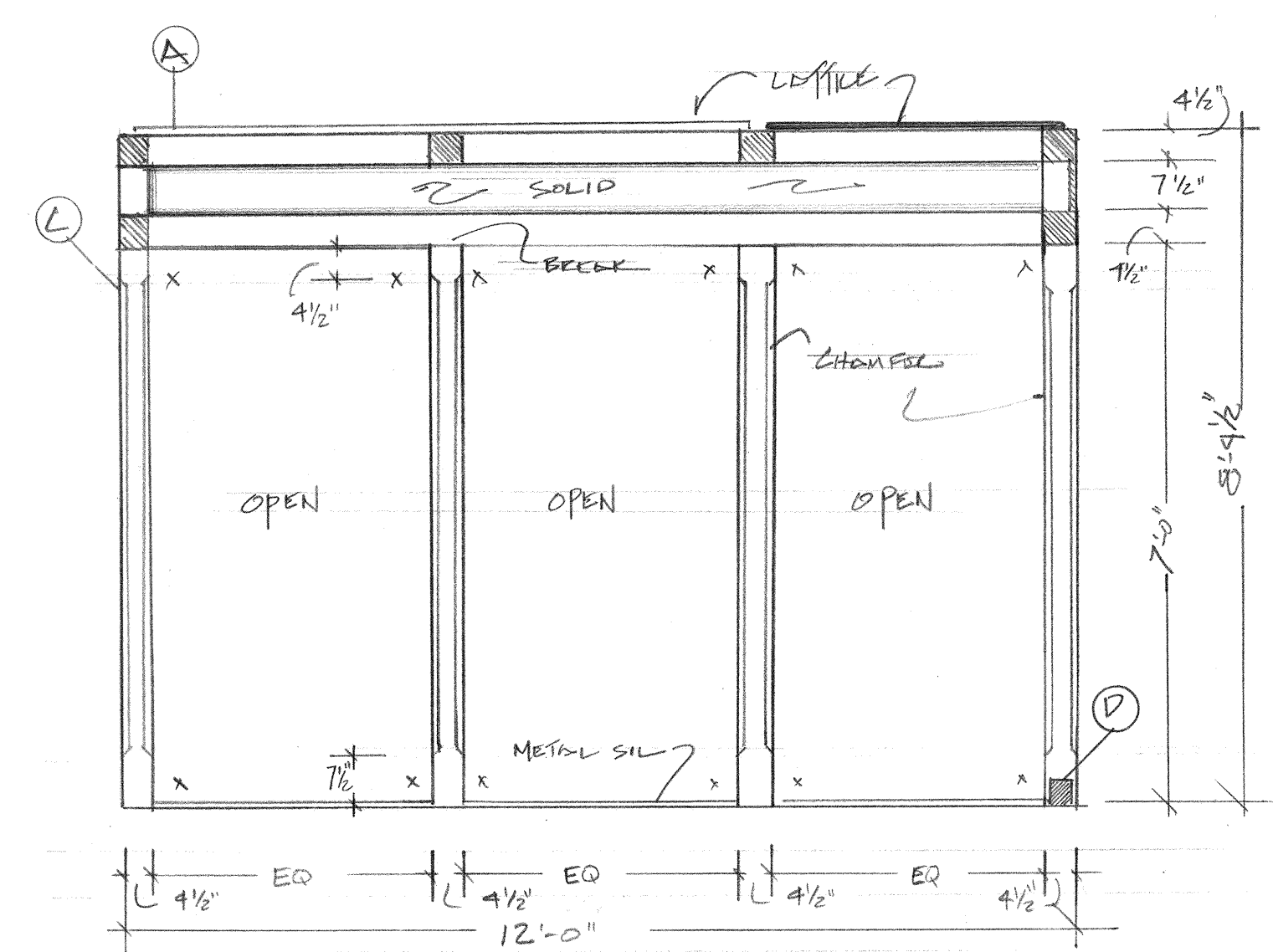
UNION STAMP  S.D. 1104 SCENIC DESIGNER SIGNATURE: <i>[Signature]</i>	AMERICAN BROADCASTING COMPANIES abc		DRAWING NO. 2
	PROD.: ALL MY CHILDREN		STUDIO TV 23
SET: ROADSIDE BAR		SCALE: NOTED	
DATE: 9-18-05		DEL. DATE: 9-28-05	
DESIGNER: R. MOONEY		PROD. DATE: 9-27-05	
DRAFTSMAN: M. FEHRER		OF 3	



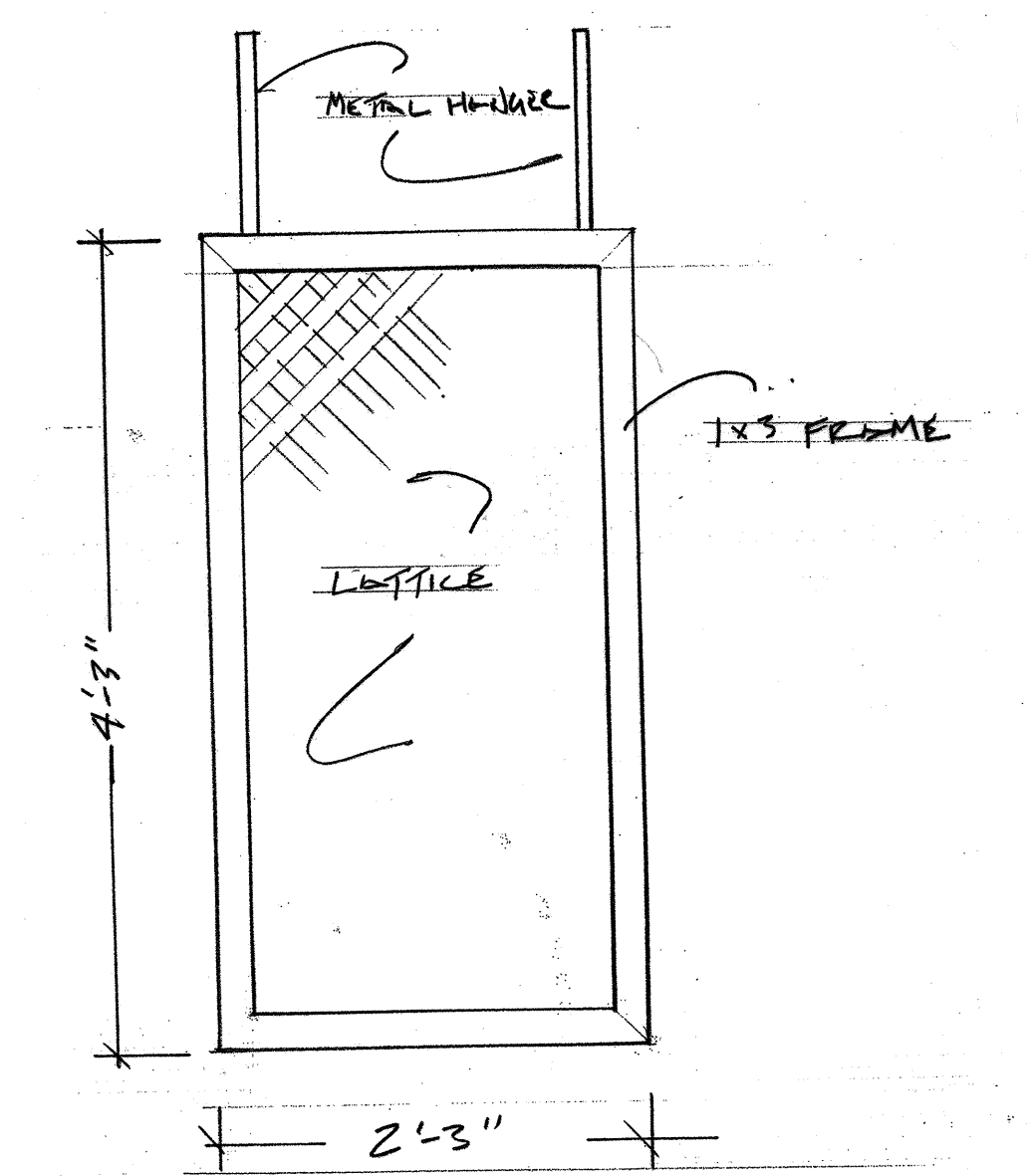
A ON STAGE
SCALE 1/2" = 1'-0"



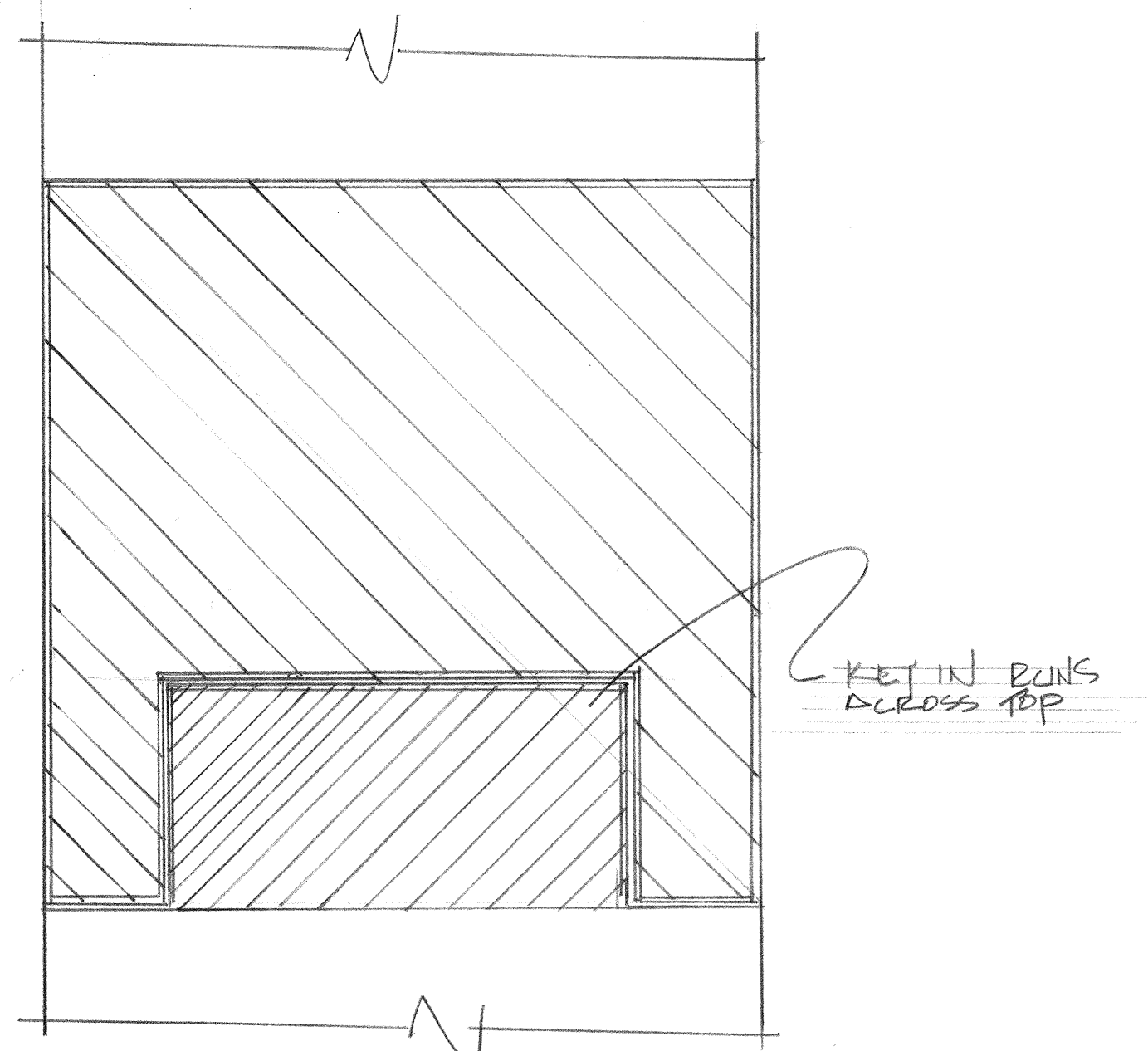
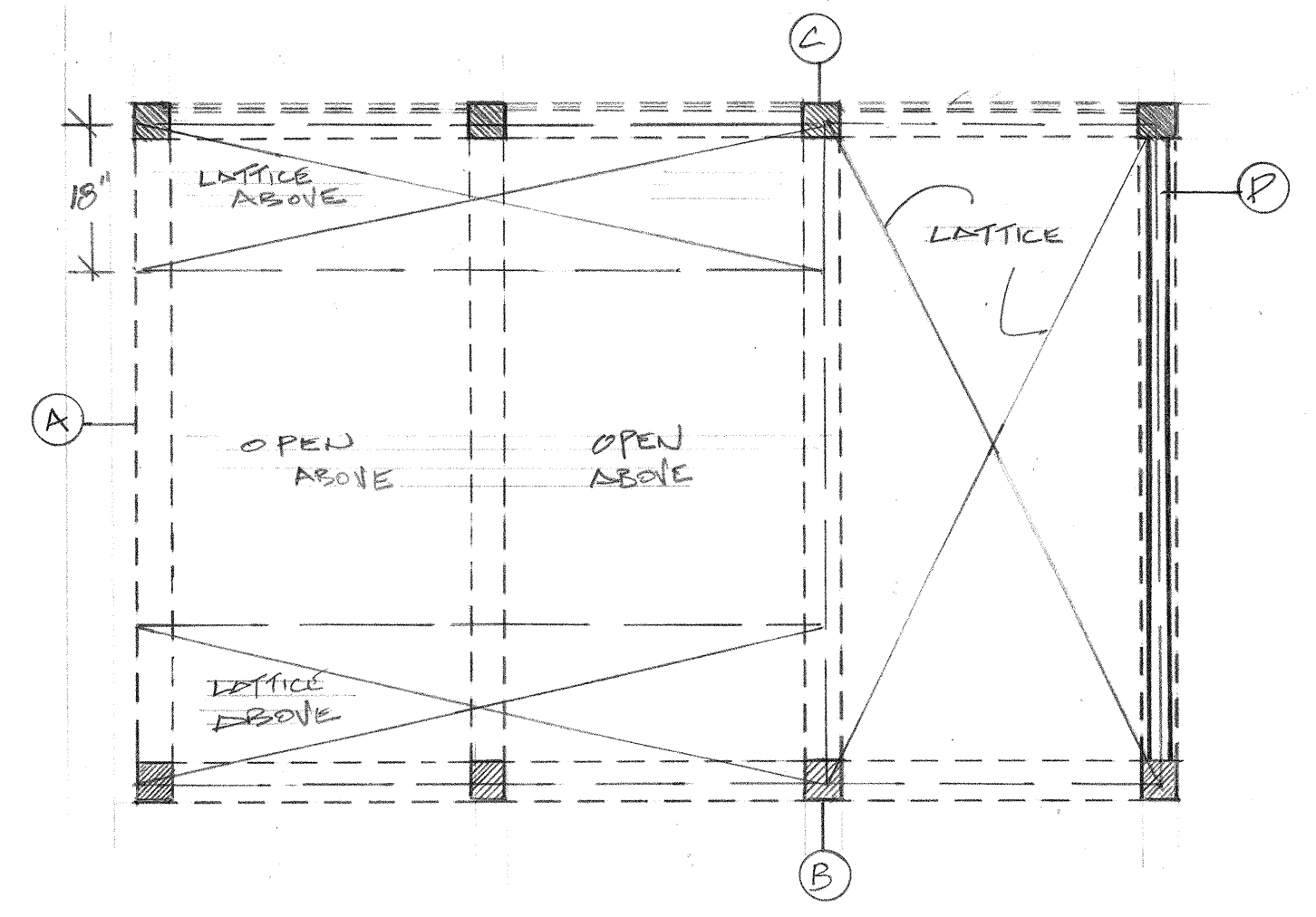
B UPSTAGE
SCALE 1/2" = 1'-0"



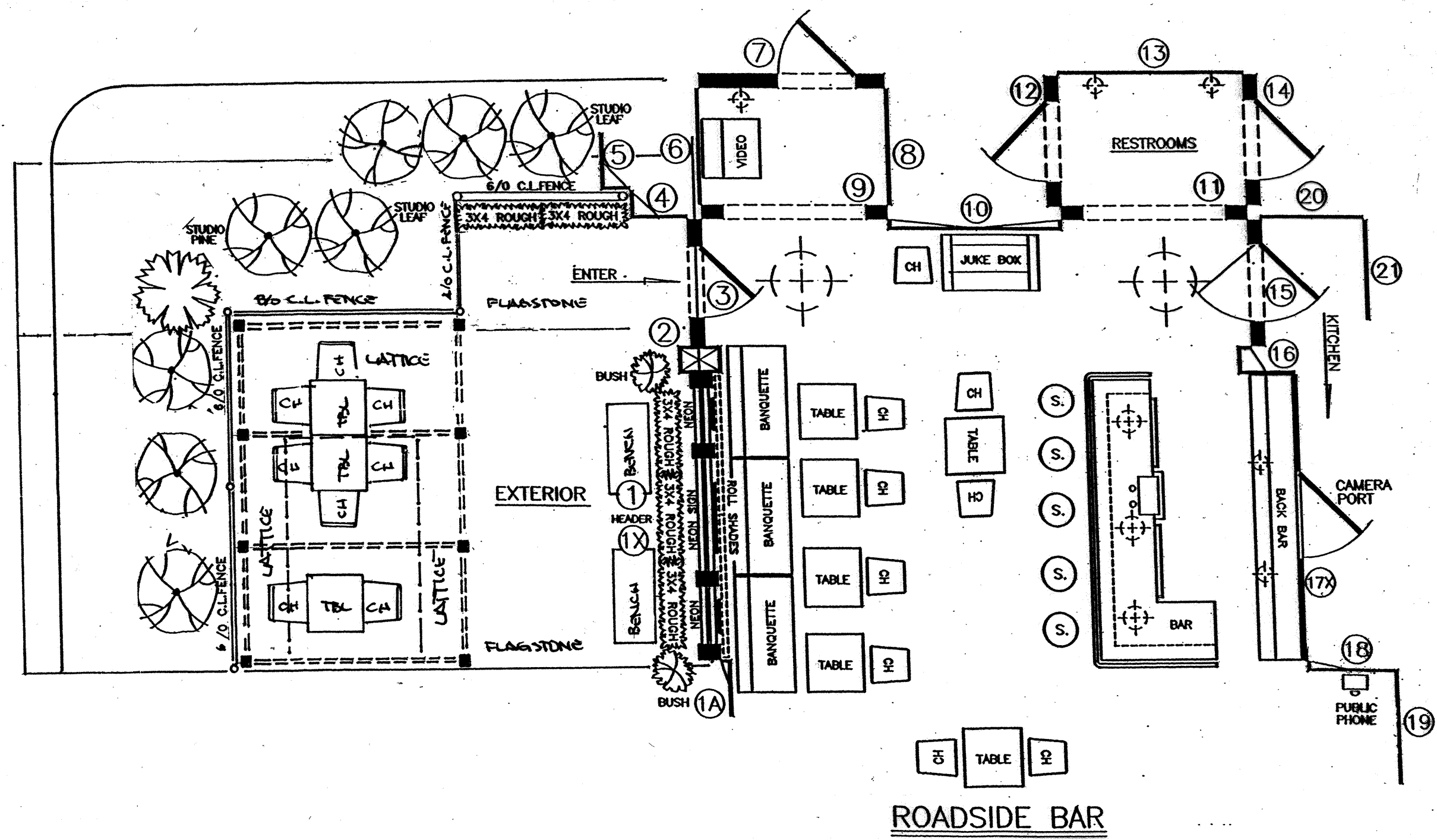
C OFFSTAGE
SCALE 1/2" = 1'-0"



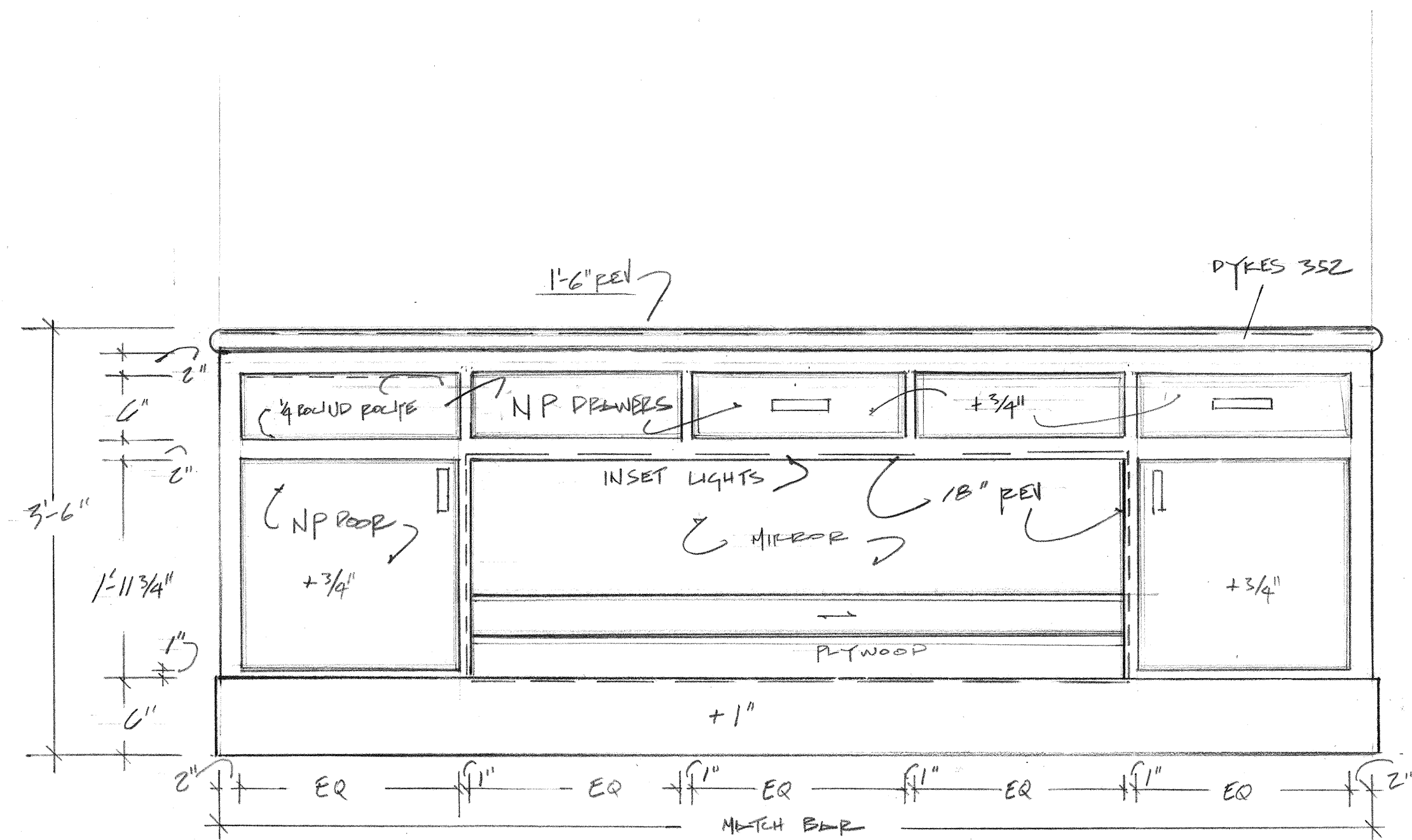
LATTICE PANELS BUILD 5
SCALE 1" = 1'-0"



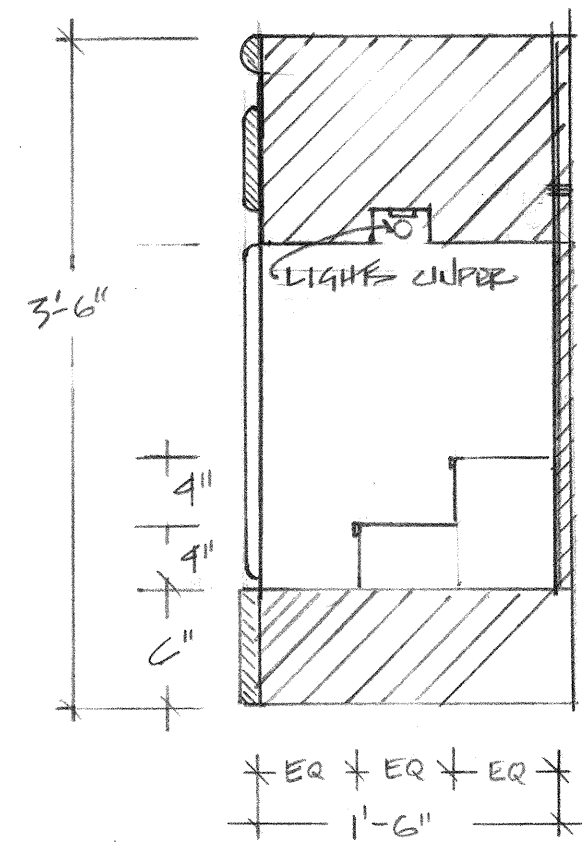
D1 DETAIL 1
SCALE - FULL



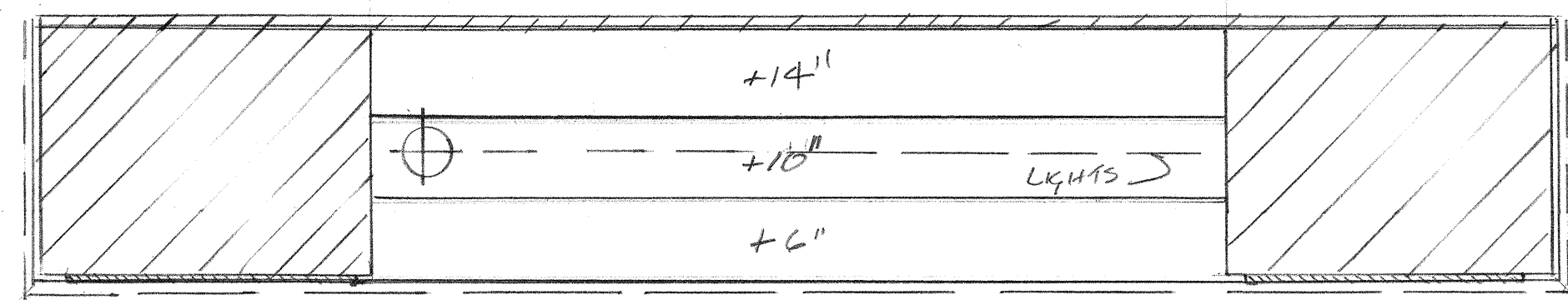
UNION STAMP S.D. 1104 SCENIC DESIGNER 	AMERICAN BROADCASTING COMPANIES abc		DRAWING NO. 1 3 OF 3
	PROD.: ALL MY CHILDREN	STUDIO TV 23	
	SET: ROADSIDE BAR		
	SCALE: 1/8" = 1'-0"	DEL. DATE: 5-21-07	
	DRAWN: 5-17-07	PROD. DATE: 5-22-07	
DESIGNER: R. MOWLEY		DRAFTSMAN: M. FATHER	



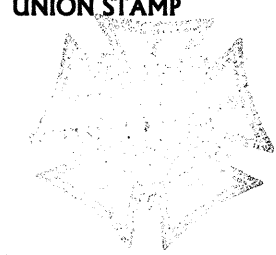
A BAR BACK
SCALE 1"=1'-0"

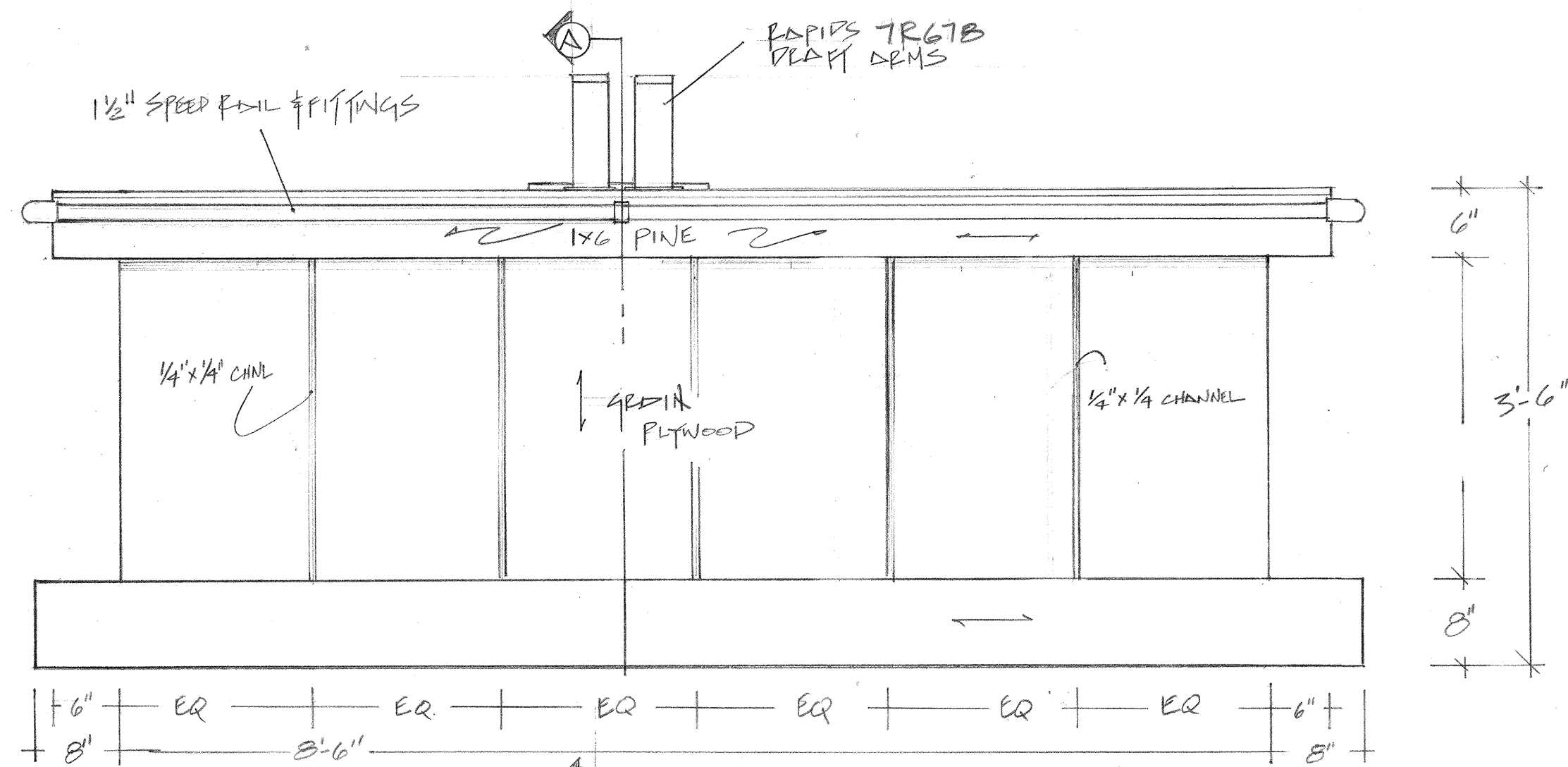


A-A SECTION @
SCALE 1/2"=1'-0"

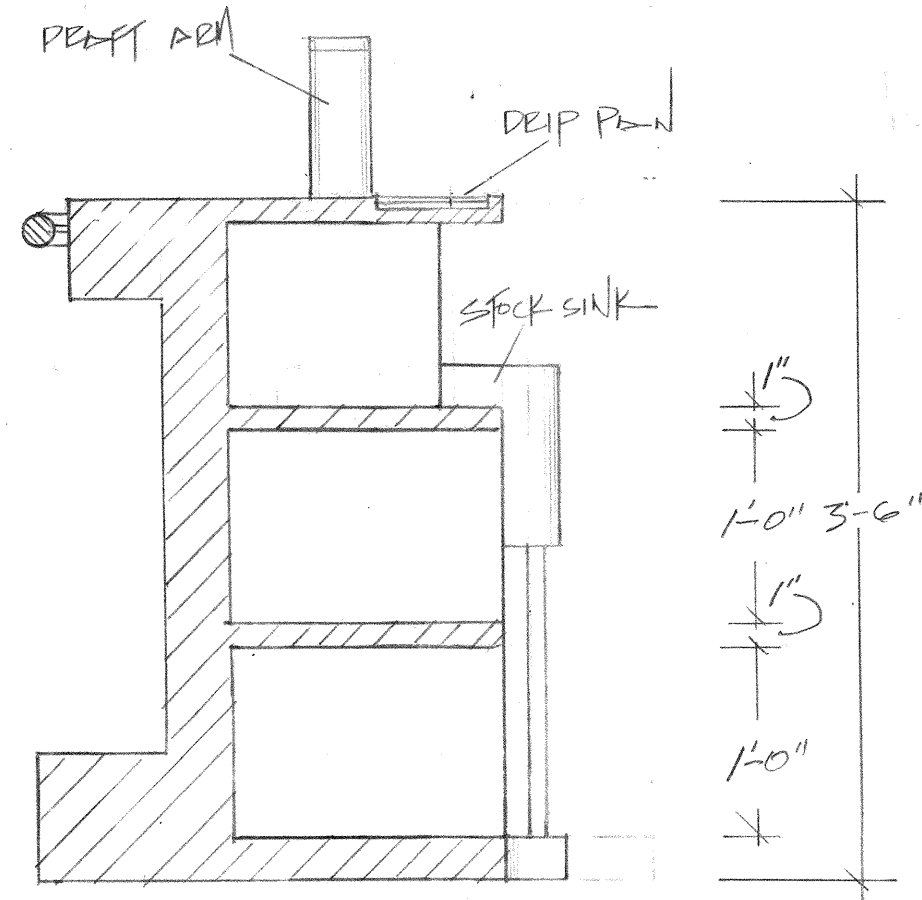


B PLAN
SCALE 1"=1'-0"

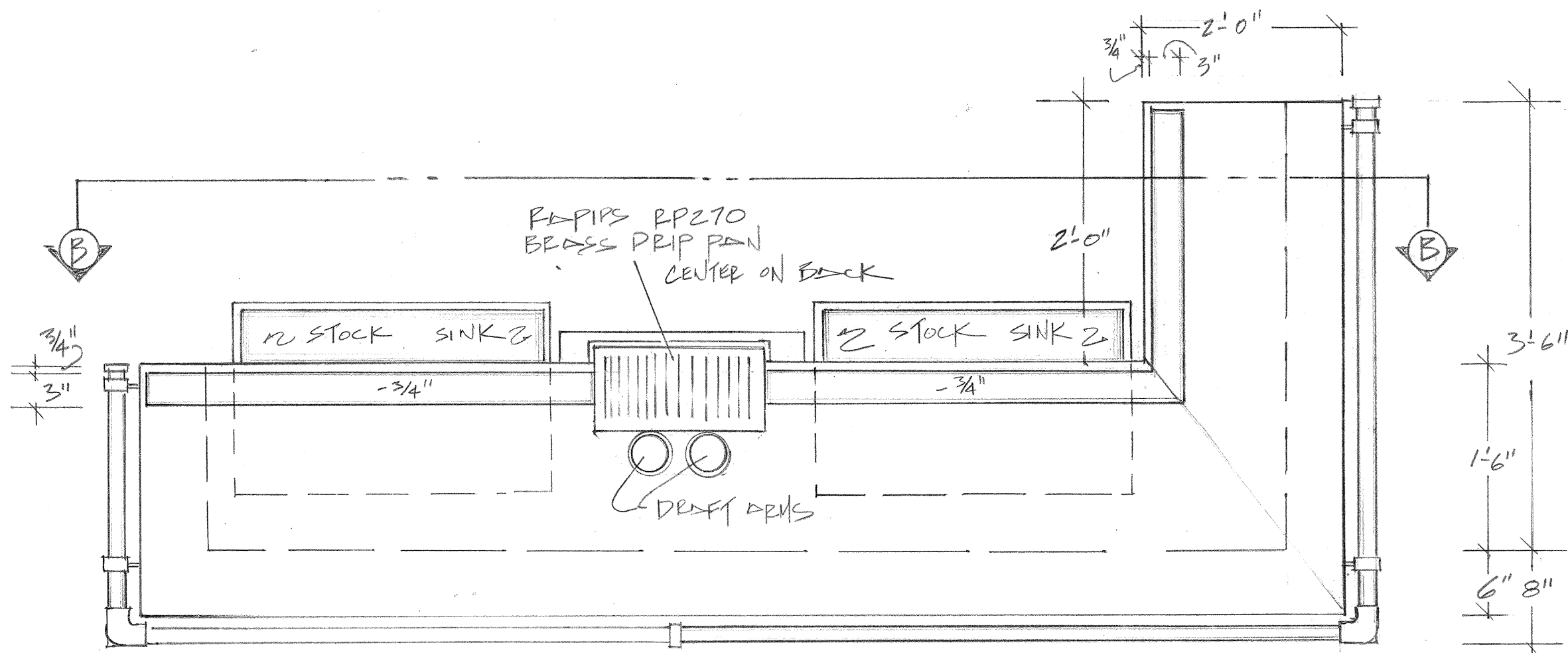
UNION STAMP  S.D. 1104 SCENIC DESIGNER	AMERICAN BROADCASTING COMPANIES abc		DRAWING NO.	
	PROD: ALL MY CHILDREN		STUDIO TV 23	
	SET: BAR BACK			OF 1
	SCALE: 1"=1'-0"	DEL. DATE: 9/5/03		
	DRAWN: 8-22-03	PROD. DATE: 9/3/03		
DESIGNER: P. MAOJET		DRAFTSMAN: M. FAHBER		



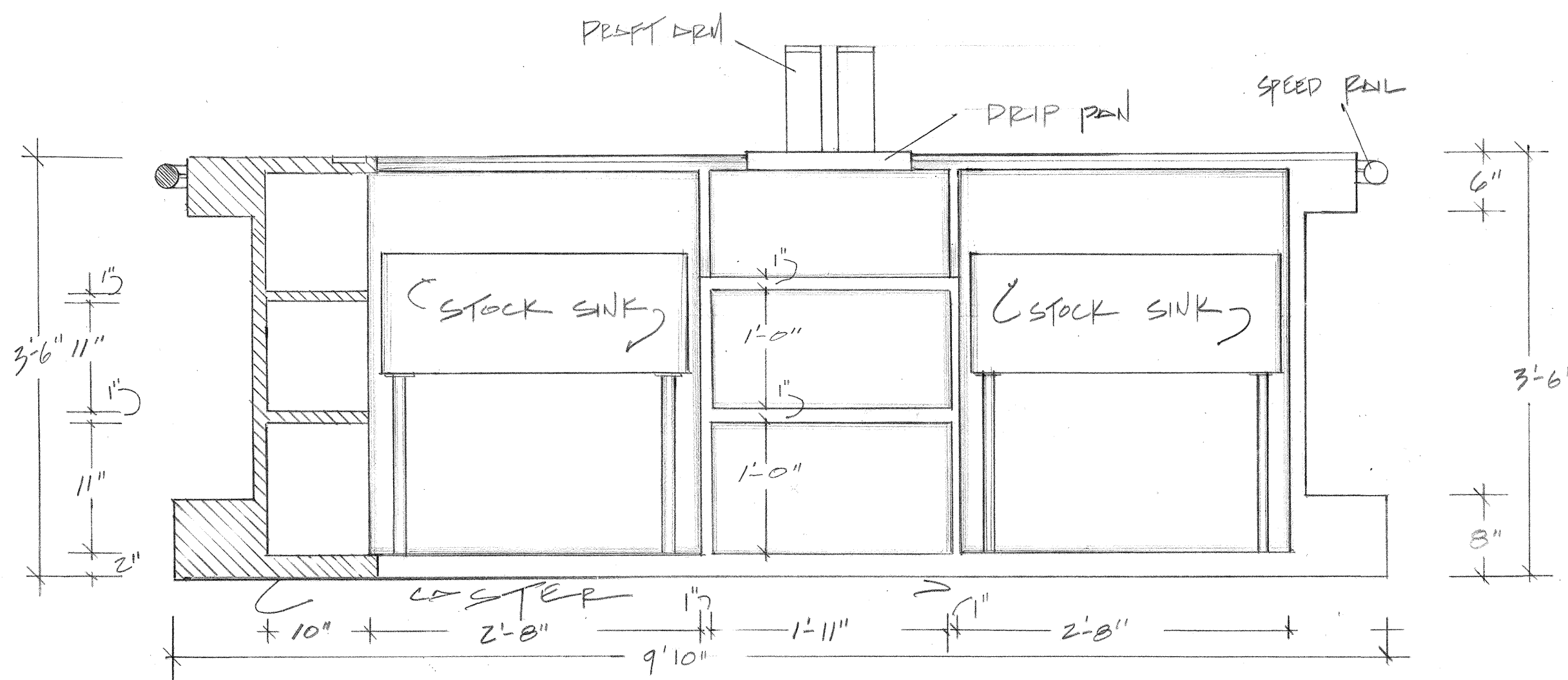
A BAR FRONT
SCALE 1"=1'-0"



A-A SECTION A-A
SCALE 1"=1'-0"



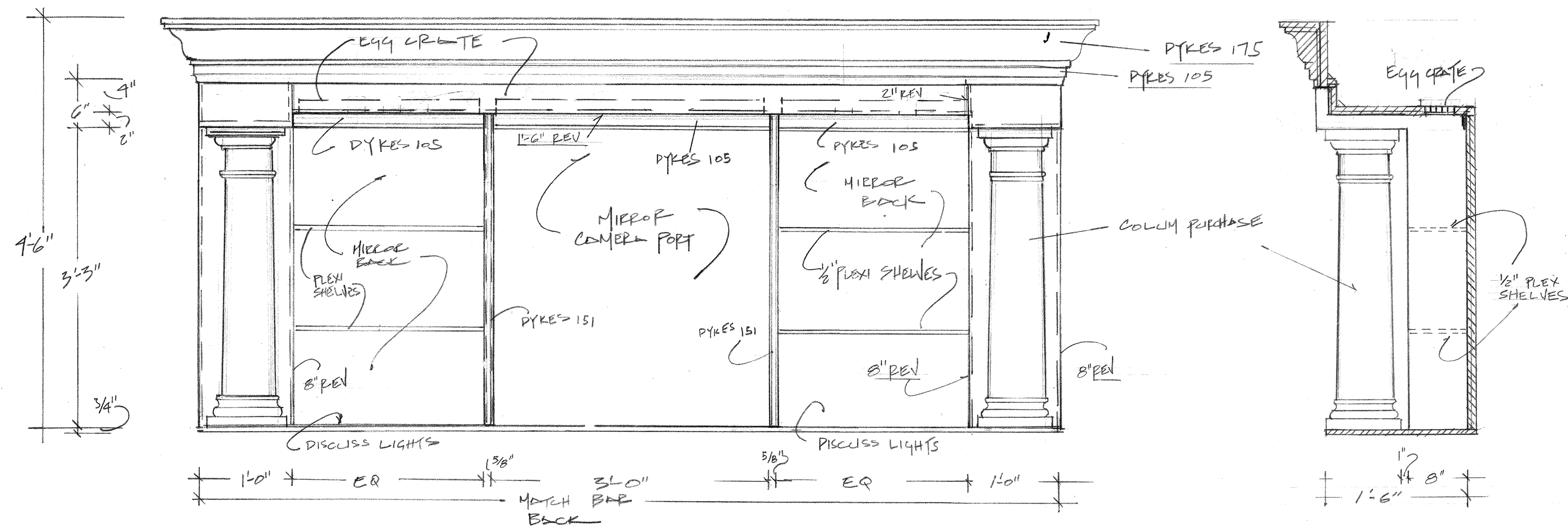
B BAR TOP
SCALE 1"=1'-0"



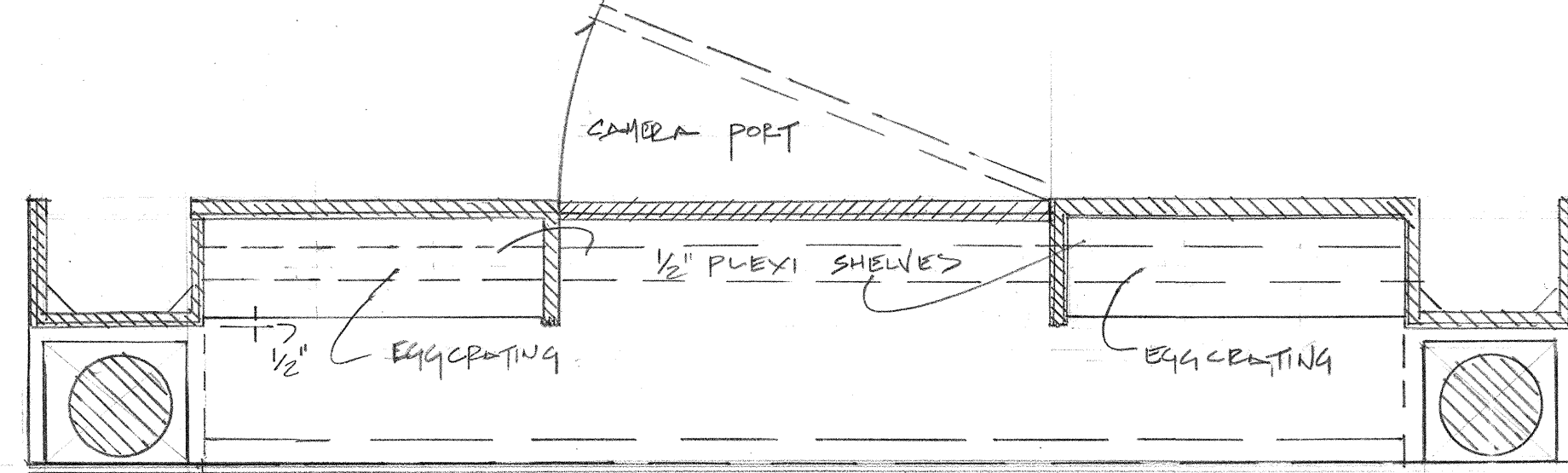
B-B BAR BACK SECTION B-B
SCALE 1"=1'-0"

ESTIMATE ONLY!

UNION STAMP S.D. 1104 SCENE DESIGNER 	AMERICAN BROADCASTING COMPANIES abc		DRAWING NO. 1
	PROD: ALL MY CHILDREN		STUDIO TV
	SET: STOCK BAR A		OF 1
	SCALE: 1"=1'-0"	DEL. DATE: 8-11-03	
	DRAWN: 7-25-03 DATE:	PROD. DATE: 8-12-03	
DESIGNER: R. MOONEY	DRAFTSMAN: FAJBER		

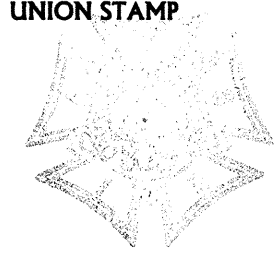
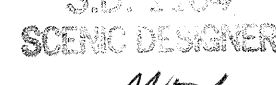



A. SHELVING FRONT
SECTION 1" = 1'-0"



A.A. SECTION C-E
SCALE 1" = 1'-0"

B. PLAN
SCALE 1" = 1'-0"

UNION STAMP  S.D. 1104 SCENIC DESIGNER 	AMERICAN BROADCASTING COMPANIES 		DRAWING NO. 1/1
	PROD.: ALL MY CHILDREN	STUDIO TV 23	OF 1
	SET: STOCK SHELVES	SCALE: 1" = 1'-0"	DEL. DATE: 7-6-03
	DRAWN: BZS-03	DATE: 8-25-03	PROD. DATE: 7-8-03
	DESIGNER: HADNEY	DRAFTSMAN: FAYERS	
	SIGNED: 