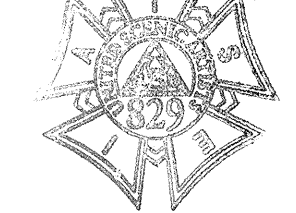
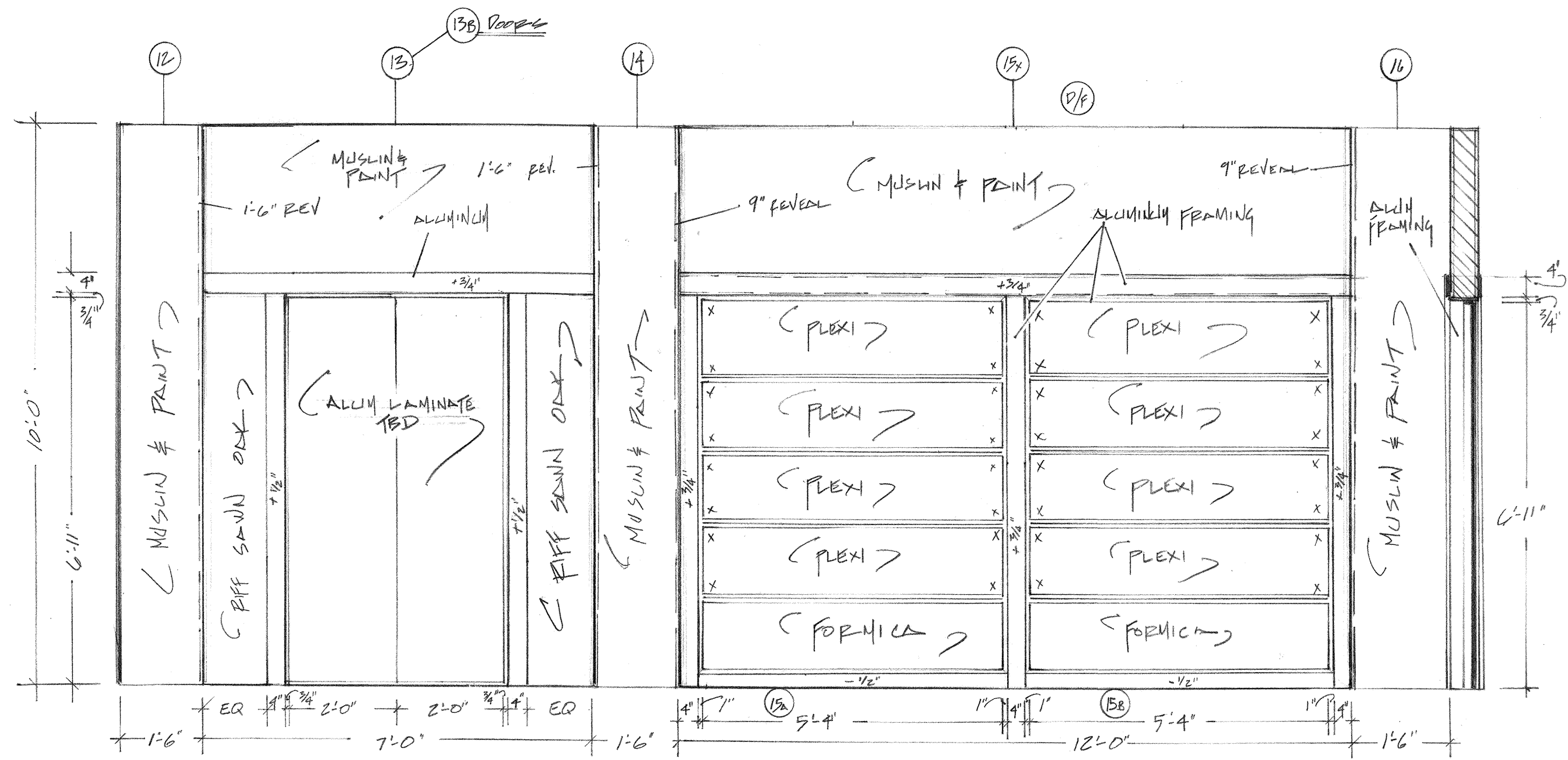
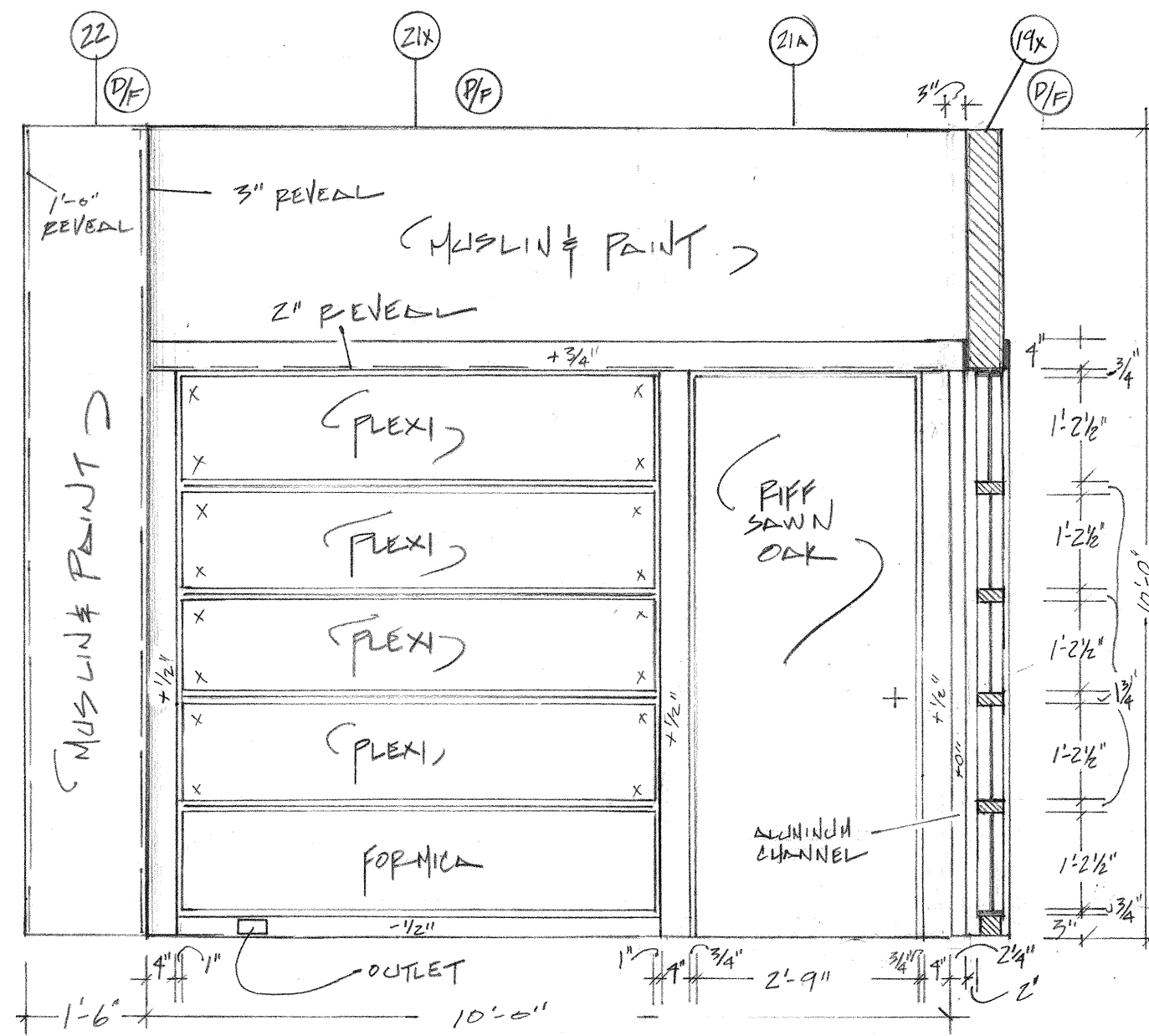
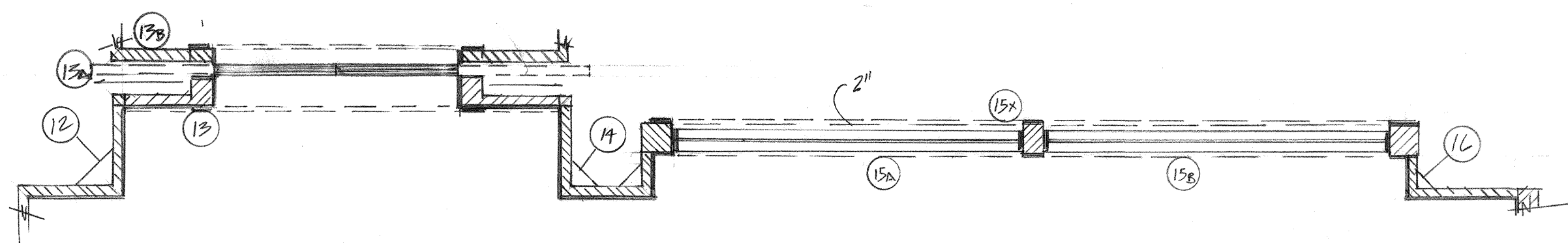


UNION STAMP  S.D. 1104 SCENIC DESIGNER SIGNATURE: <i>[Signature]</i>	AMERICAN BROADCASTING COMPANIES <b>abc</b>		DRAWING NO.
	PROD.: ALL MY CHILDREN		STUDIO TV 23
SET: TEMPO OFFICE			
SCALE: 1/8" = 1'-0"	DEL. DATE:		
DRAWN: EJ/15/01	PROD. DATE:		
DESIGNER: E. MOONEY	DRAFTSMAN: H. FREE		

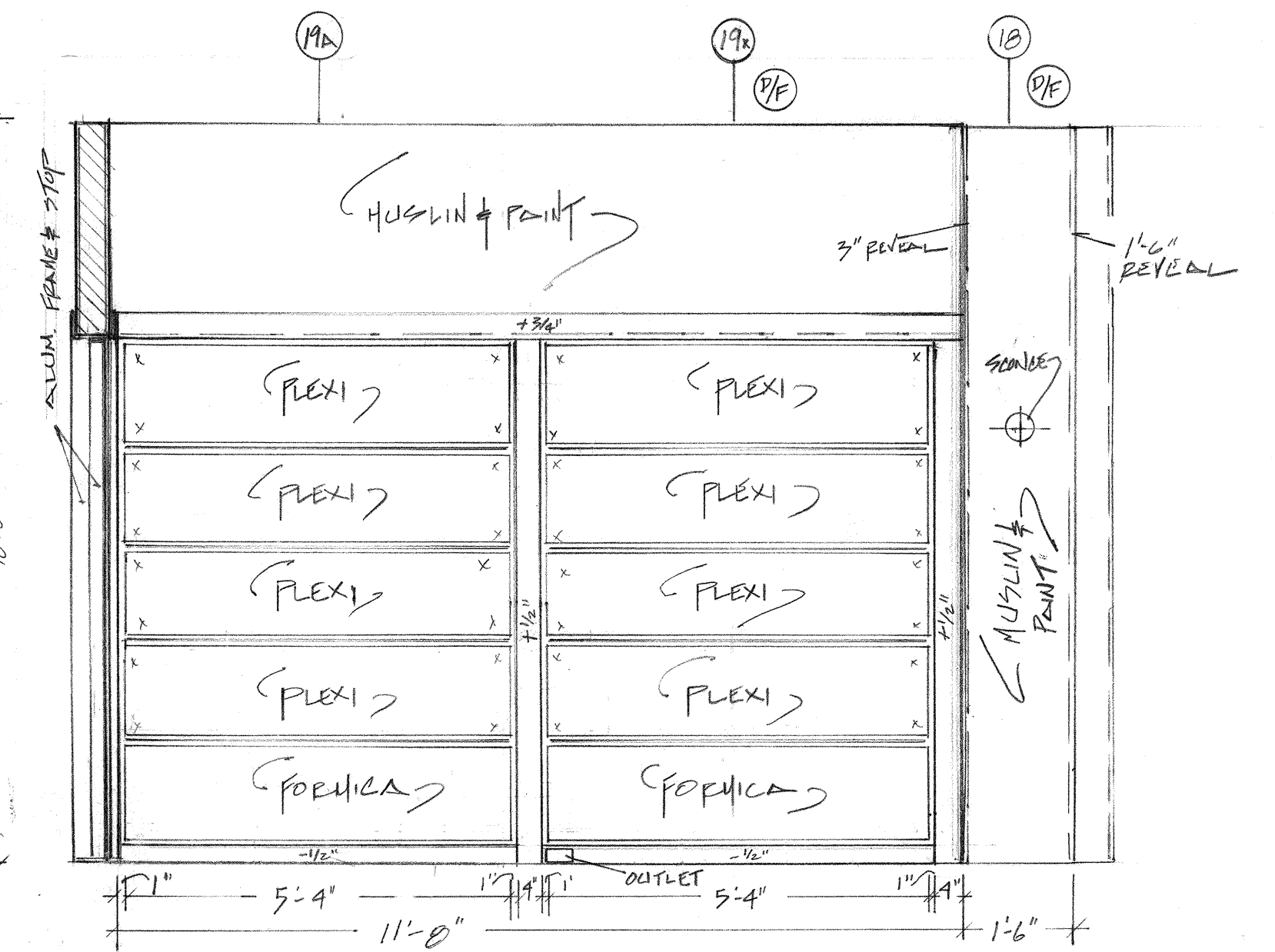
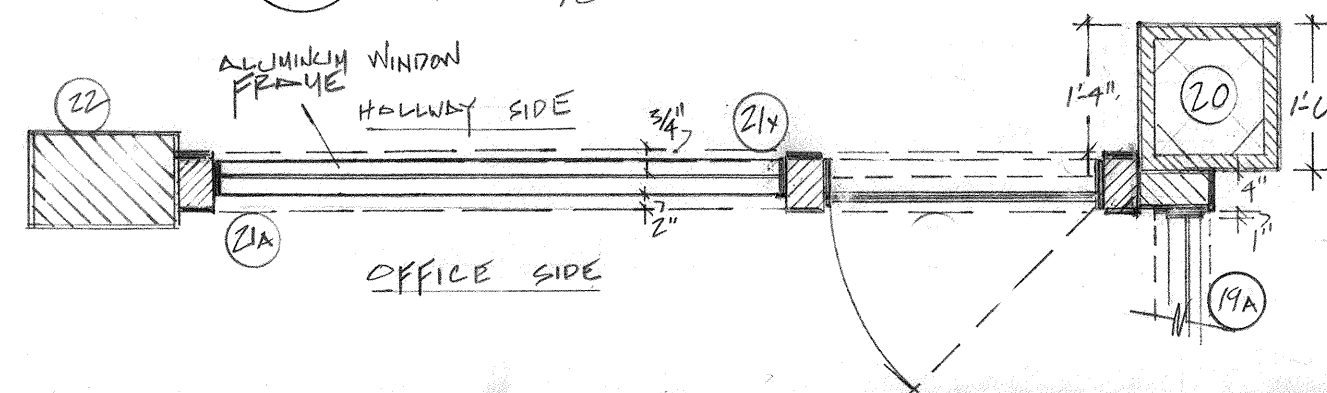




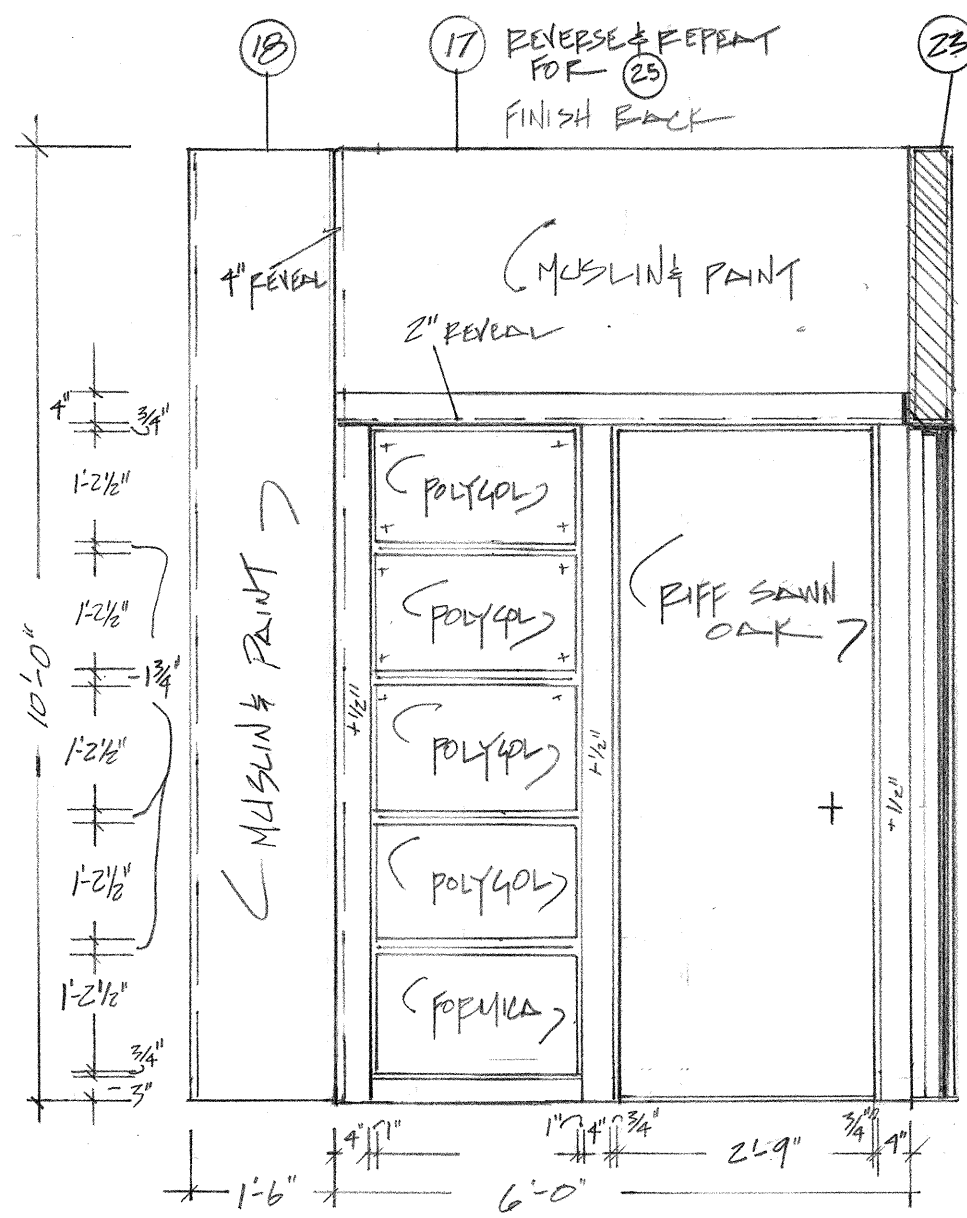
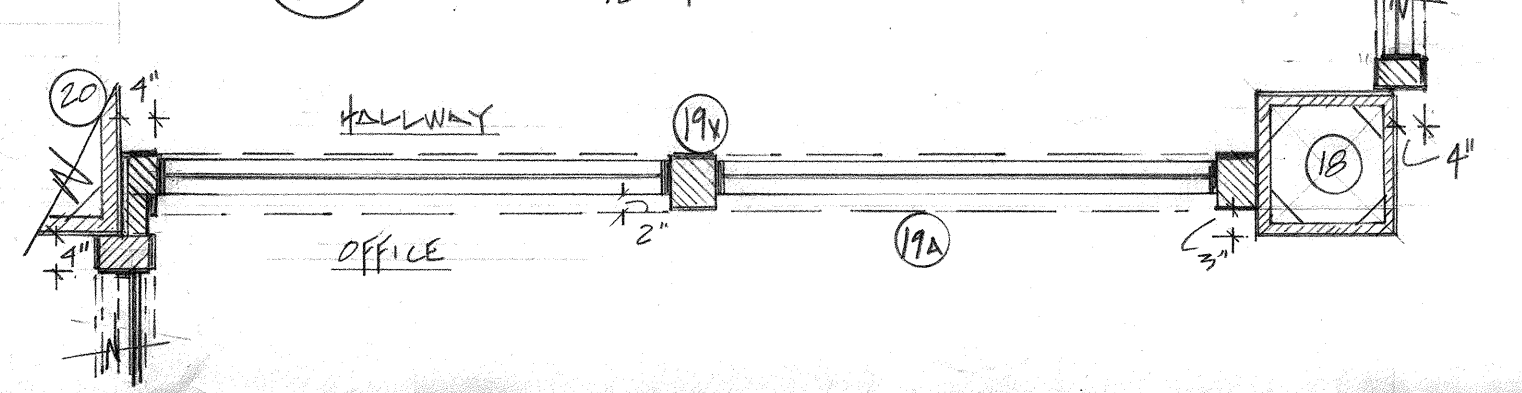
**F** UPSTAGE HALLWAY  
SCALE 1/8" = 1'-0"



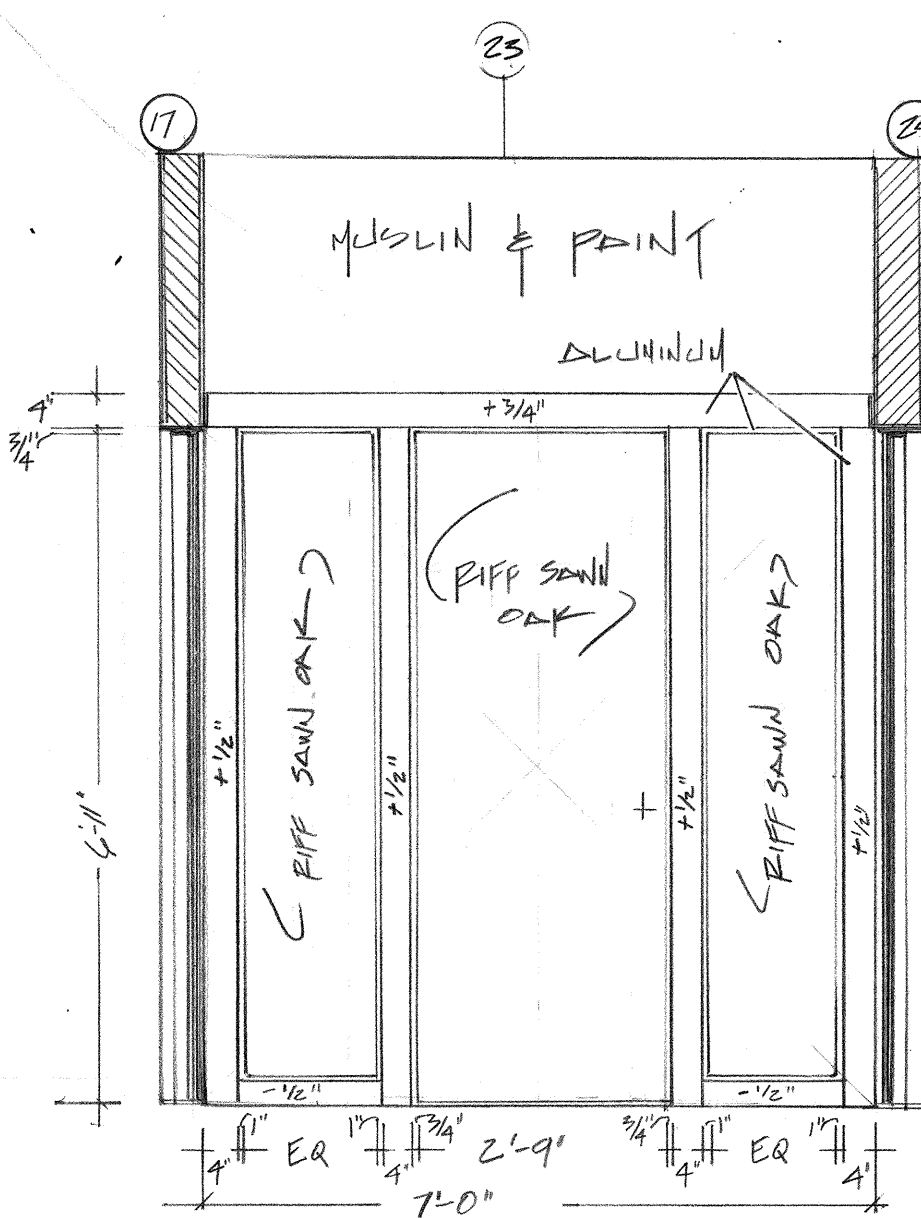
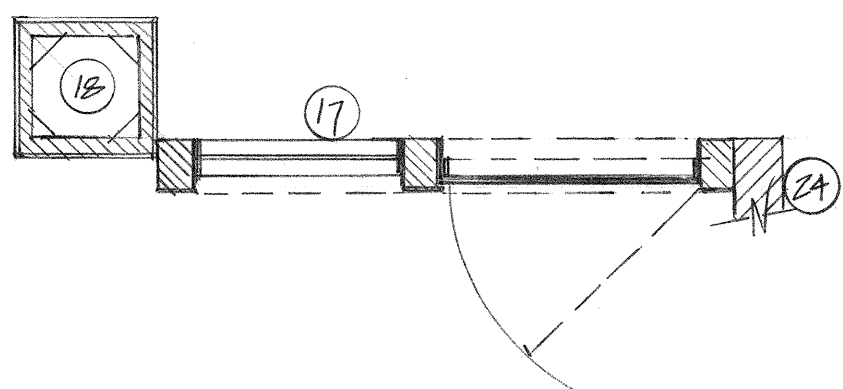
**G** OFFICE SIDE DOORWAY  
SCALE 1/2" = 1'-0"



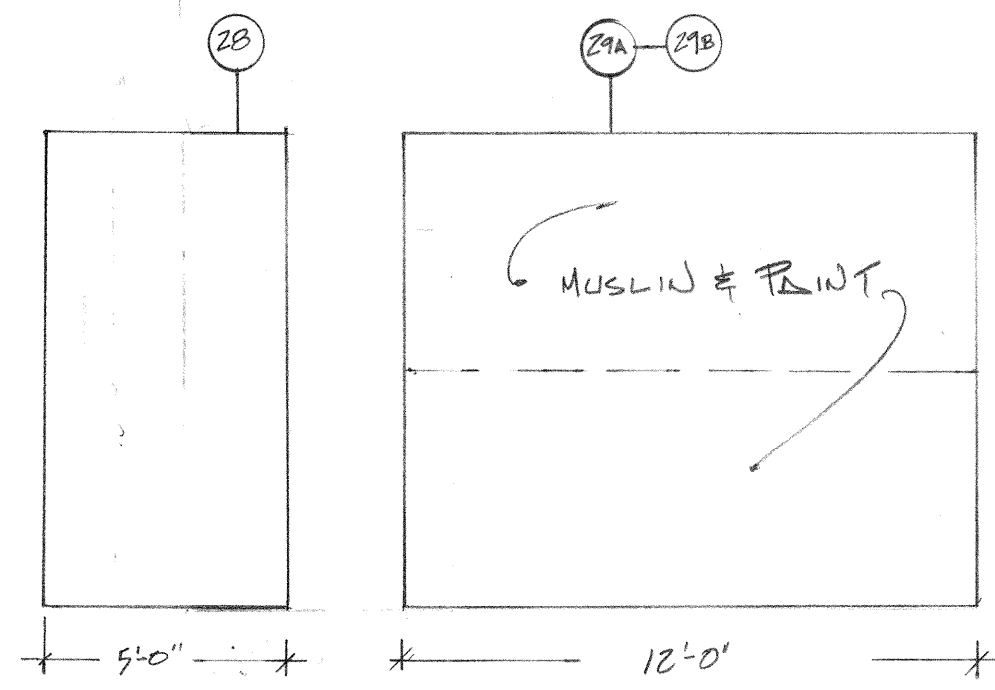
**H** OFFICE UPSTAGE WINDOW  
SCALE 1/2" = 1'-0"



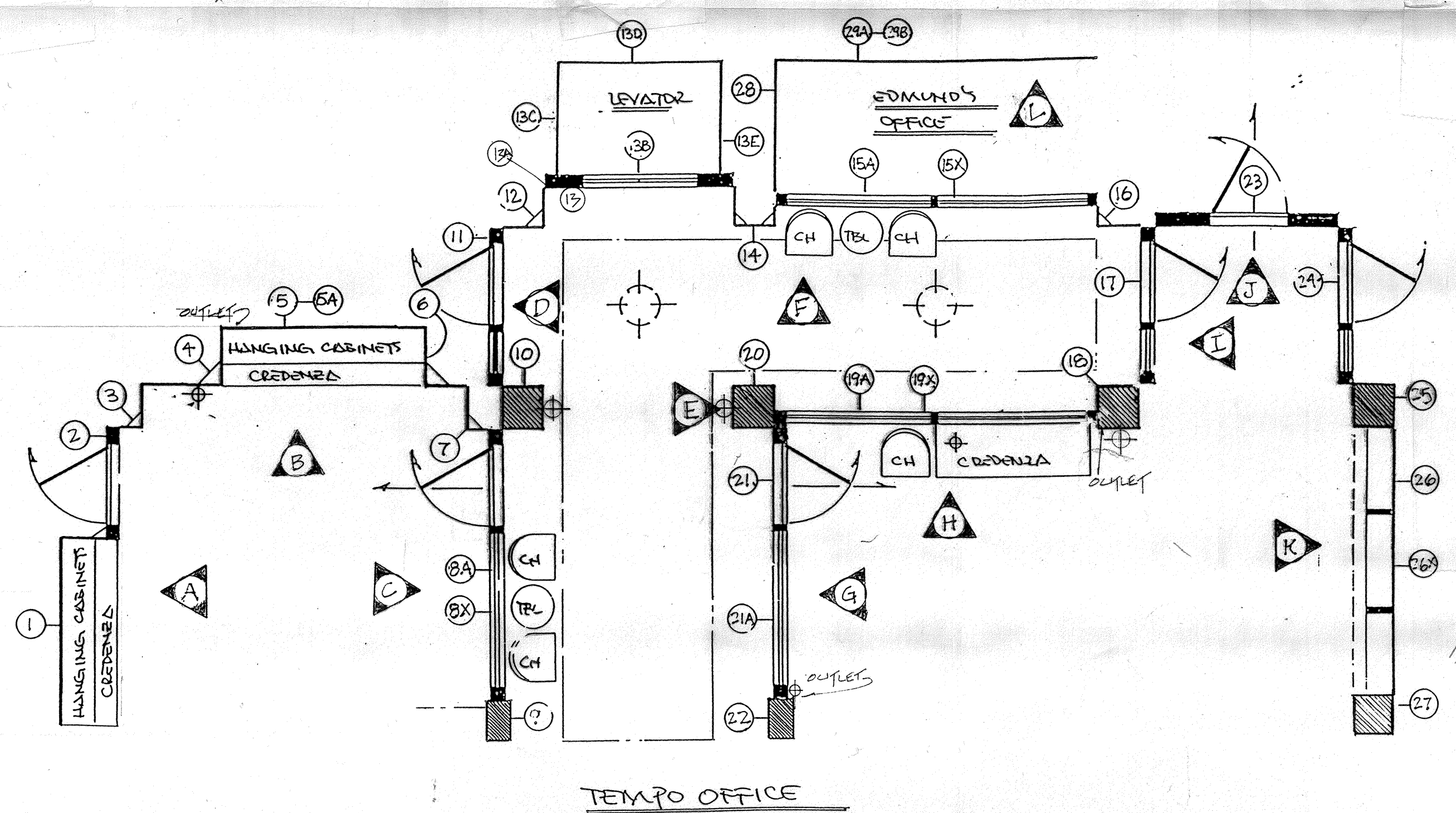
**I** UPSTAGE OFFICE DOOR PIFF FOR  
SCALE 1/8" = 1'-0"



**J** UPSTAGE OFFICE DOOR  
SCALE 1/8" = 1'-0"



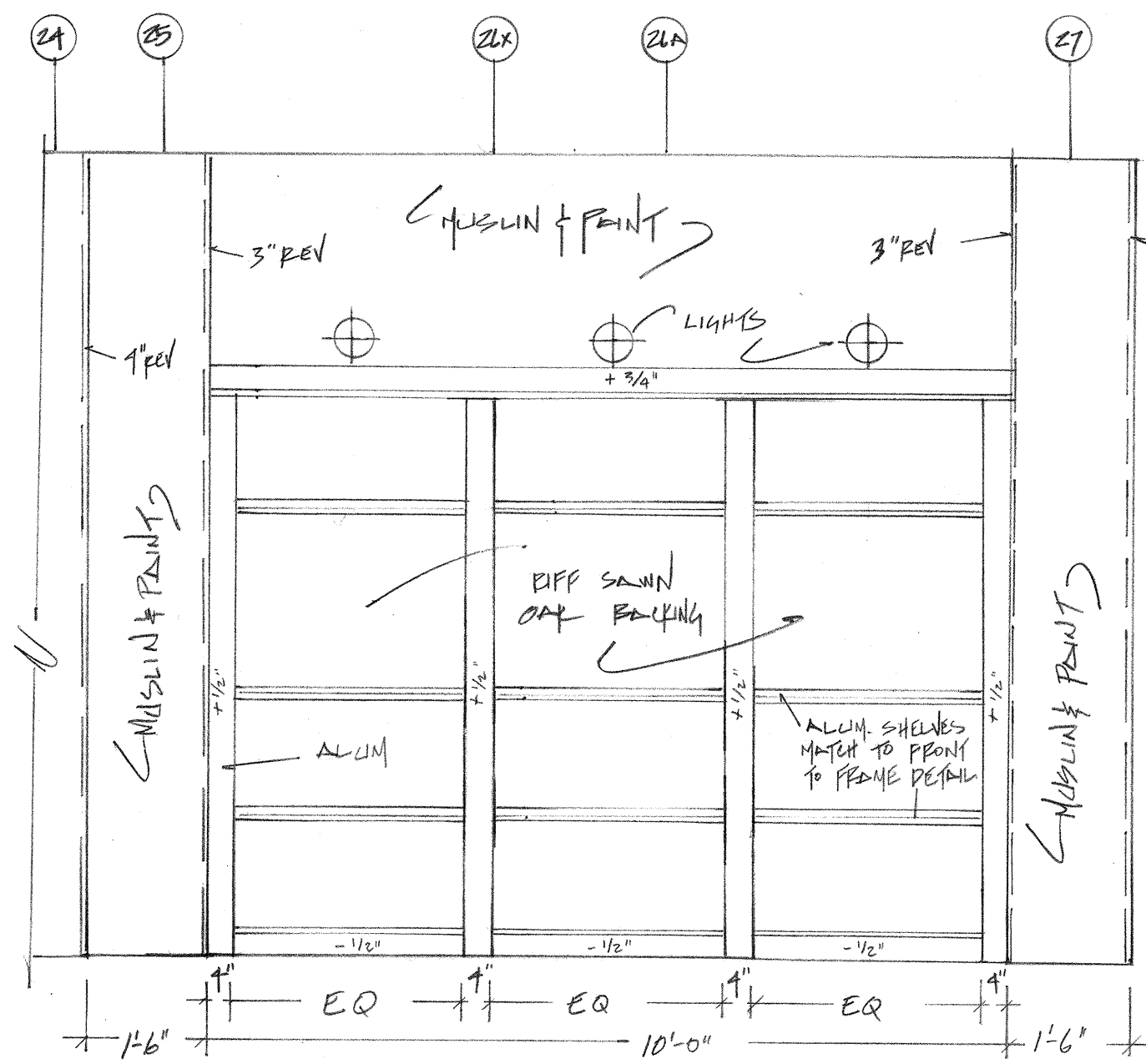
**K** EDMUNDS OFFICE BACKINGS  
SCALE 1/4" = 1'-0"



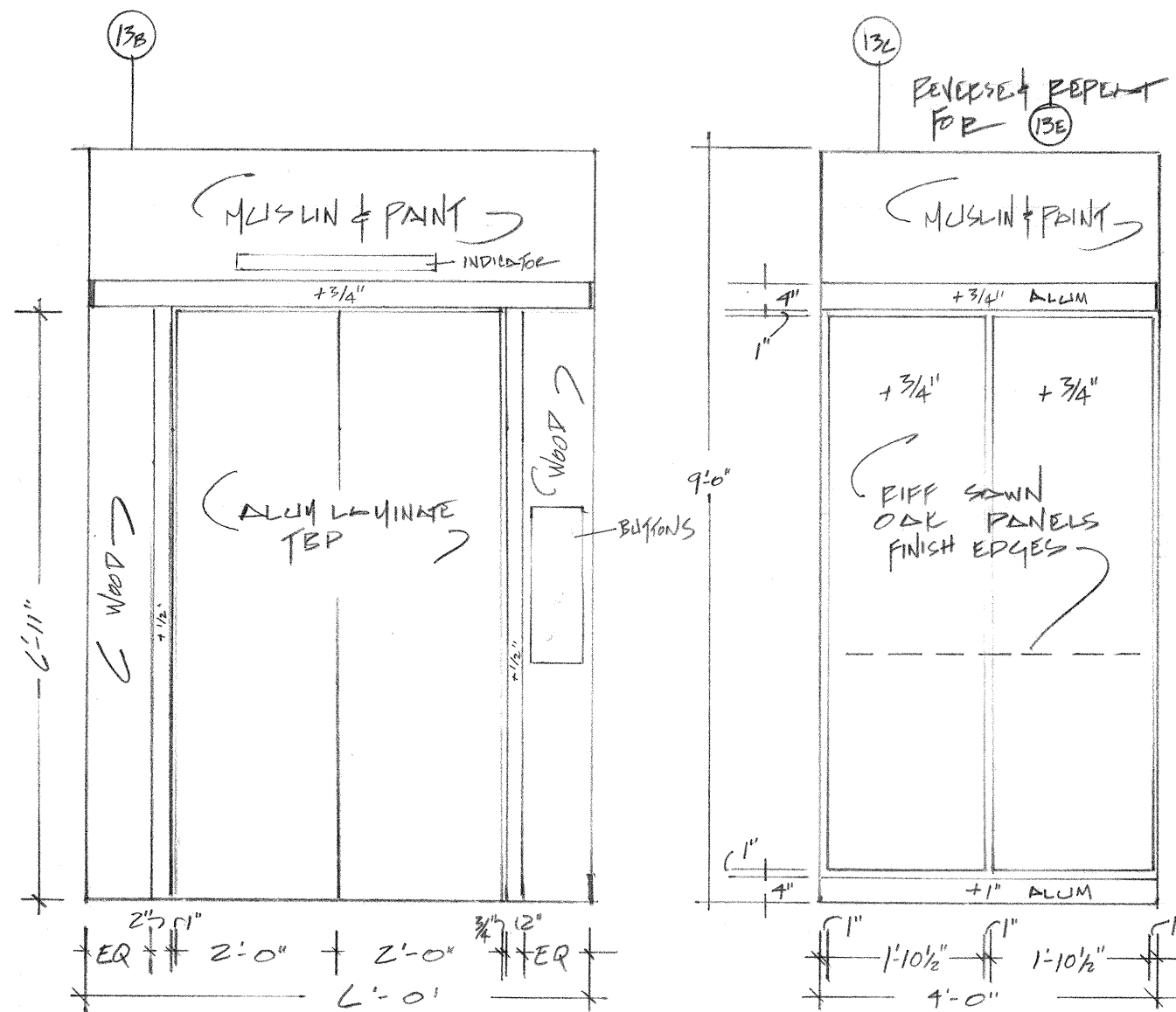
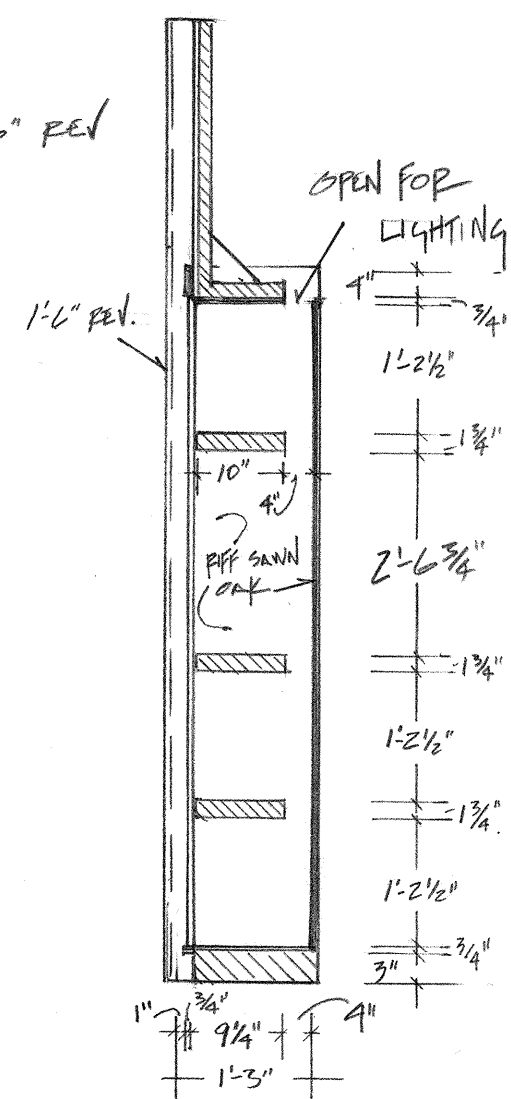
TEMPO OFFICE

UNION STAMP  S.D. 1104 SCENIC DESIGNER SIGNATURE: <i>[Signature]</i>	AMERICAN BROADCASTING COMPANIES <b>abc</b>		DRAWING NO.
	PROD.: ALL MY CHILDREN		STUDIO TV 23
	SET: TEMPO OFFICE		OF 4
	SCALE: NOTED	DEL. DATE: 9-7-01 TO WHS	
DRAWN: 8/14/01	PROD. DATE: TBD		DESIGNER: R. MOONEY
SIGNATURE: <i>[Signature]</i>		DRAFTSMAN: M. FAHNER	



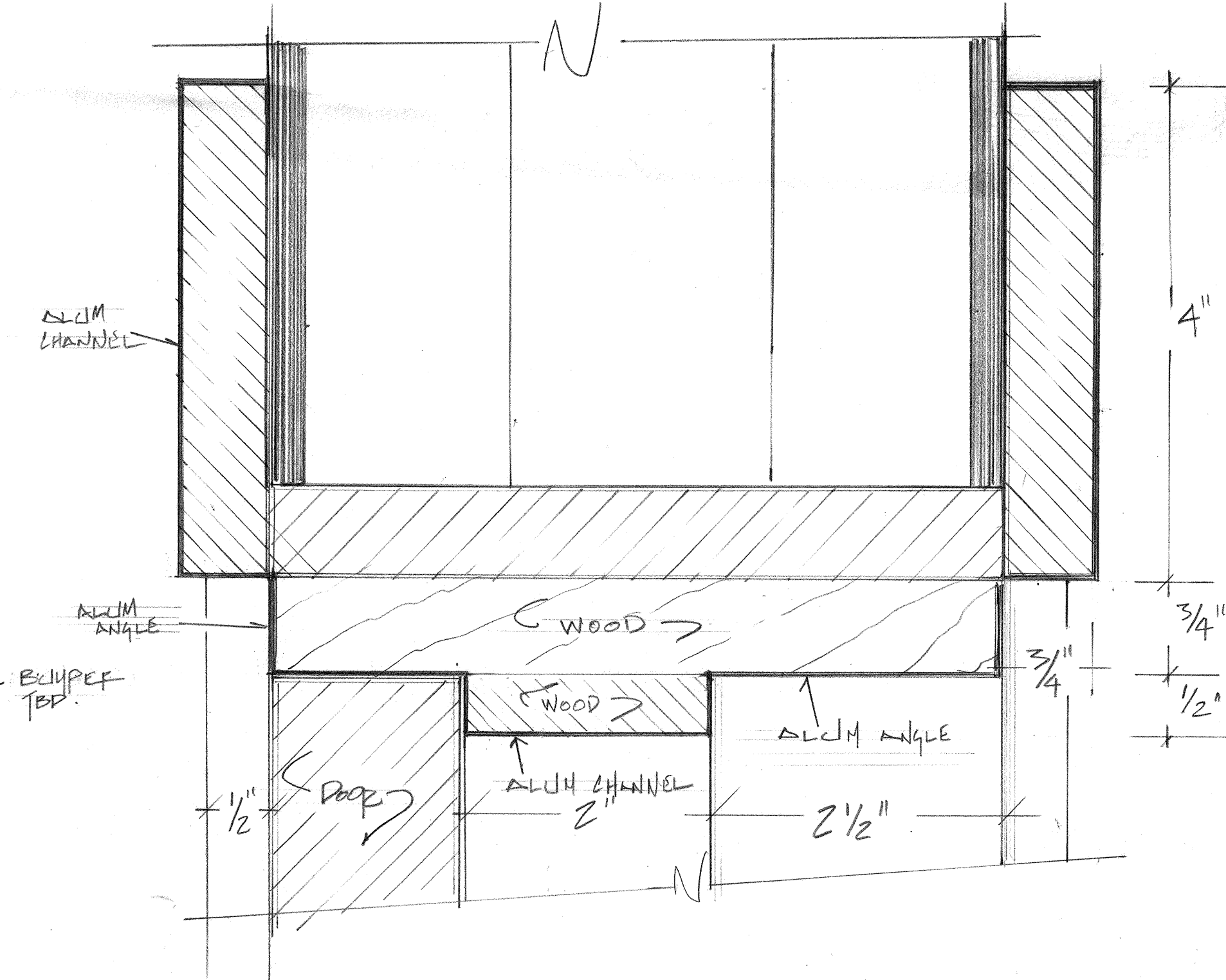
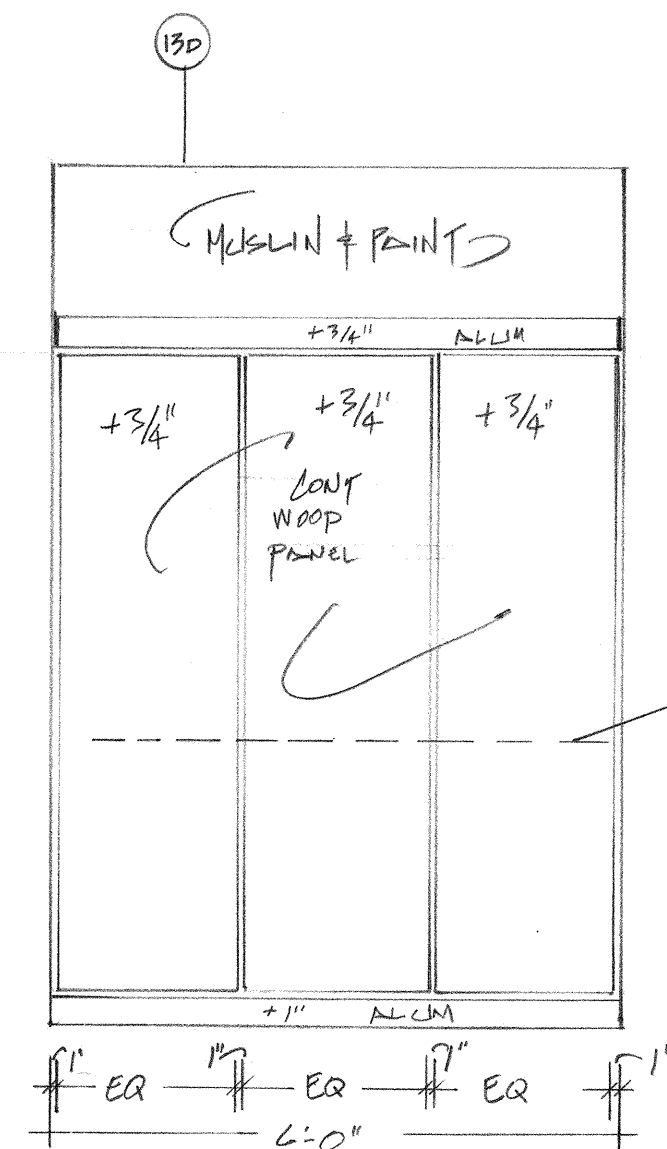


**K. SHELVES**  
SCALE 1/8" = 1'-0"

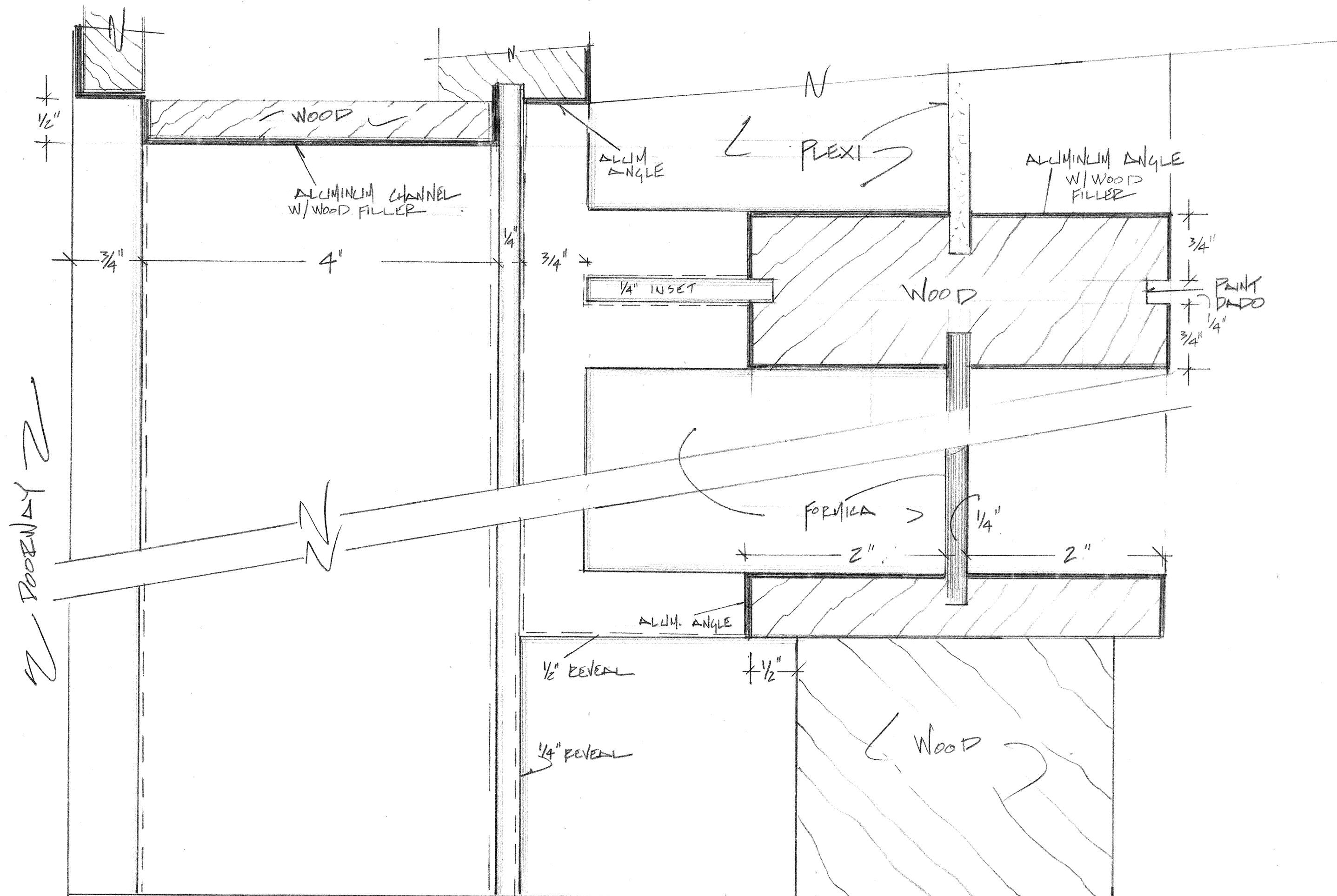


**ELEVATOR BACKING**  
SCALE 1/8" = 1'-0"

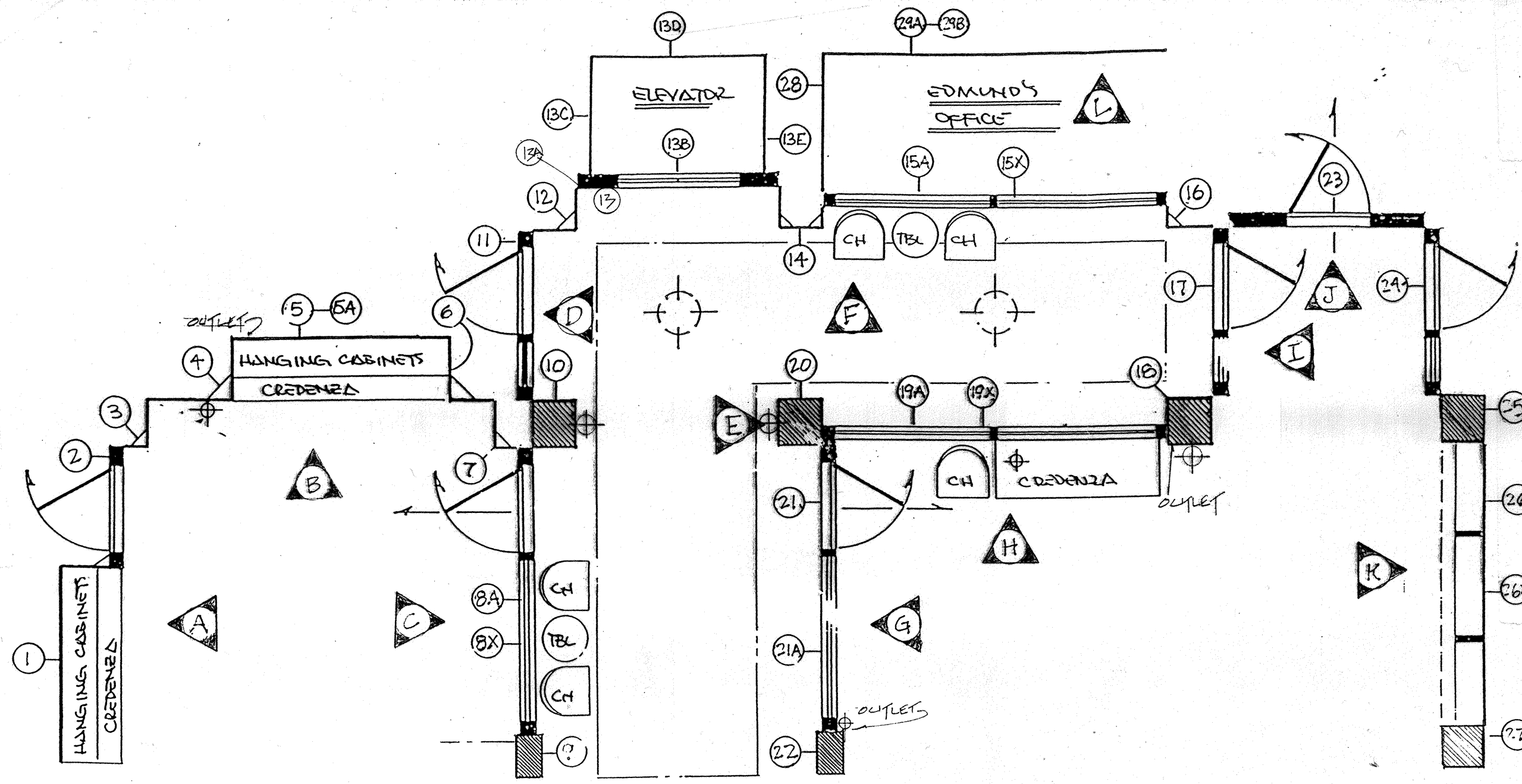
NOTE: BUILD DOOR SAME STYLE AS "VALLEY INN" ELEV. DOORS



**DOOR FRAME DETAIL**  
FULL SCALE

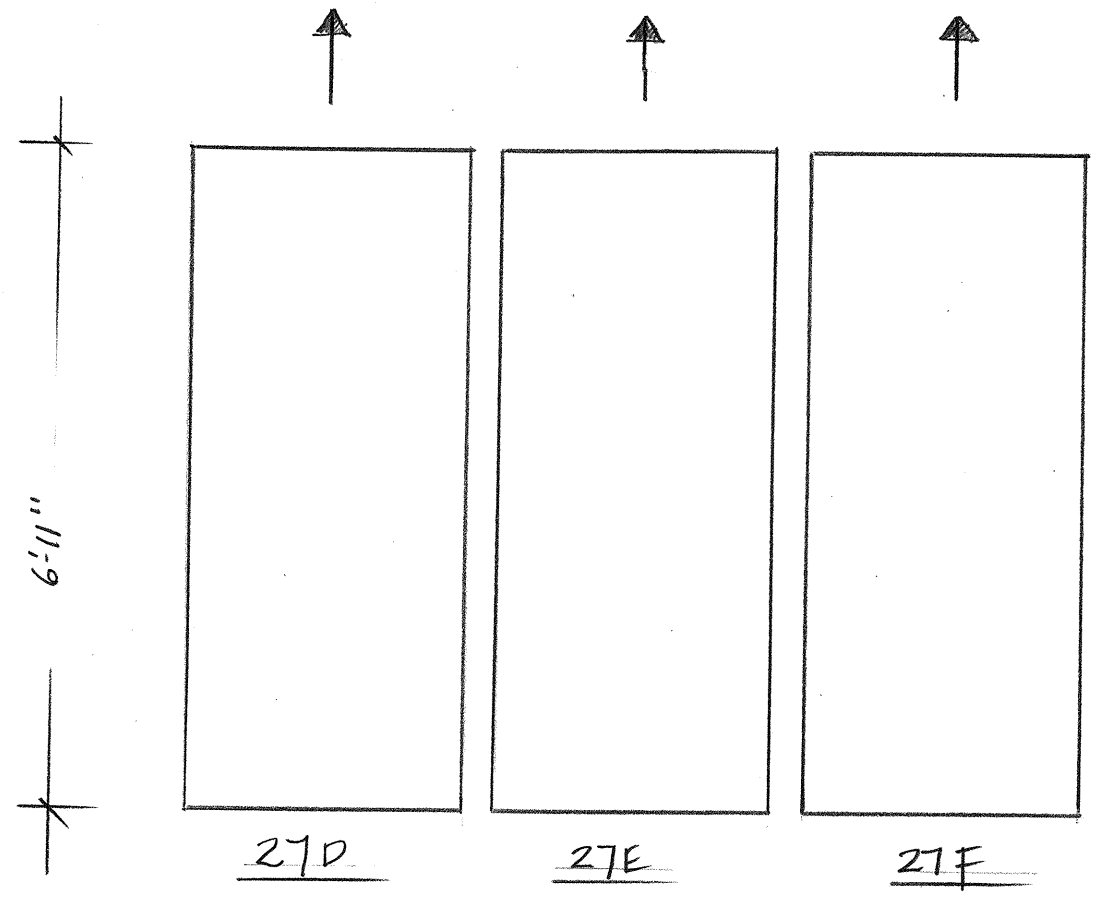
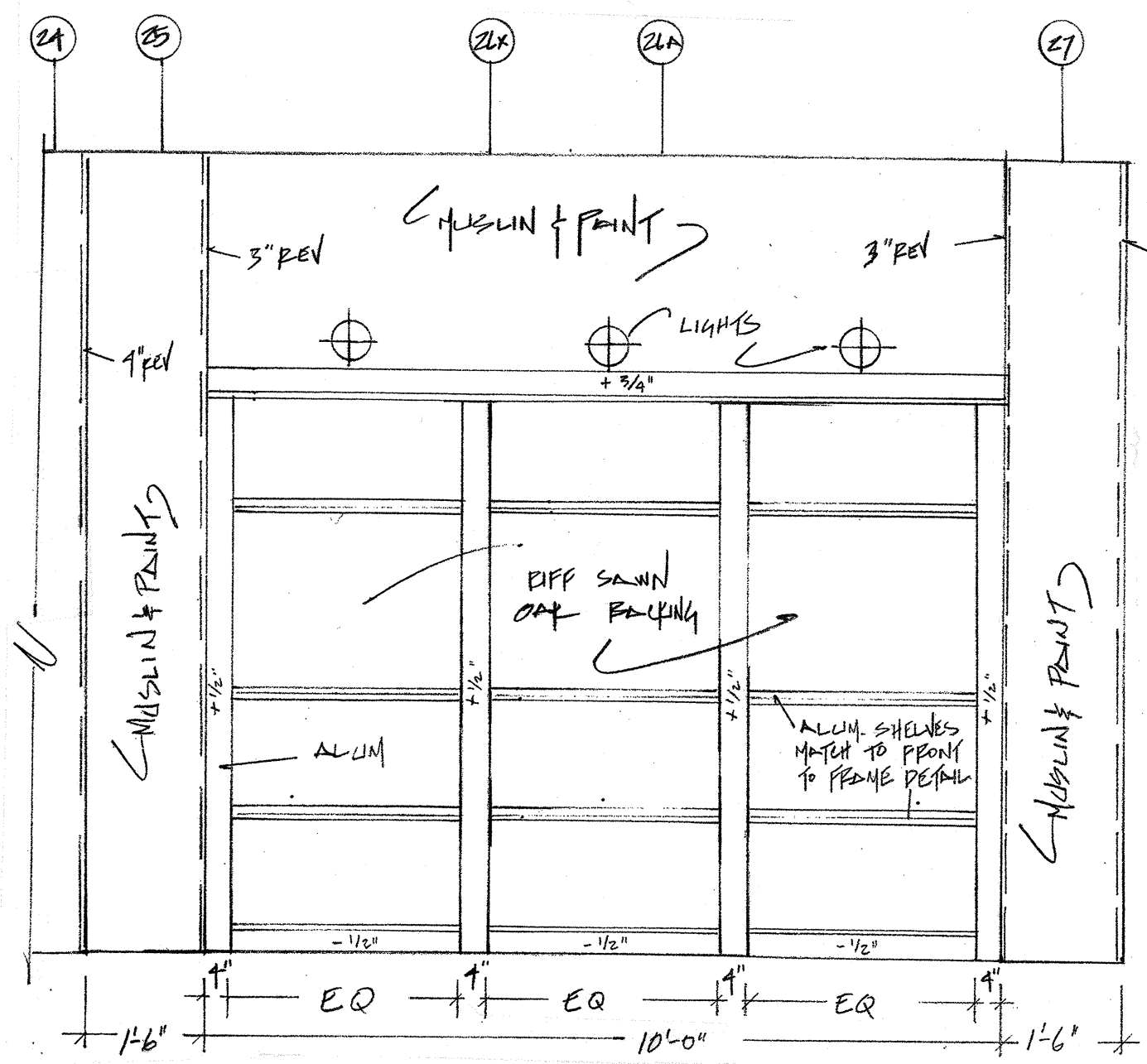


**FRAME DETAIL FULL SIZE**

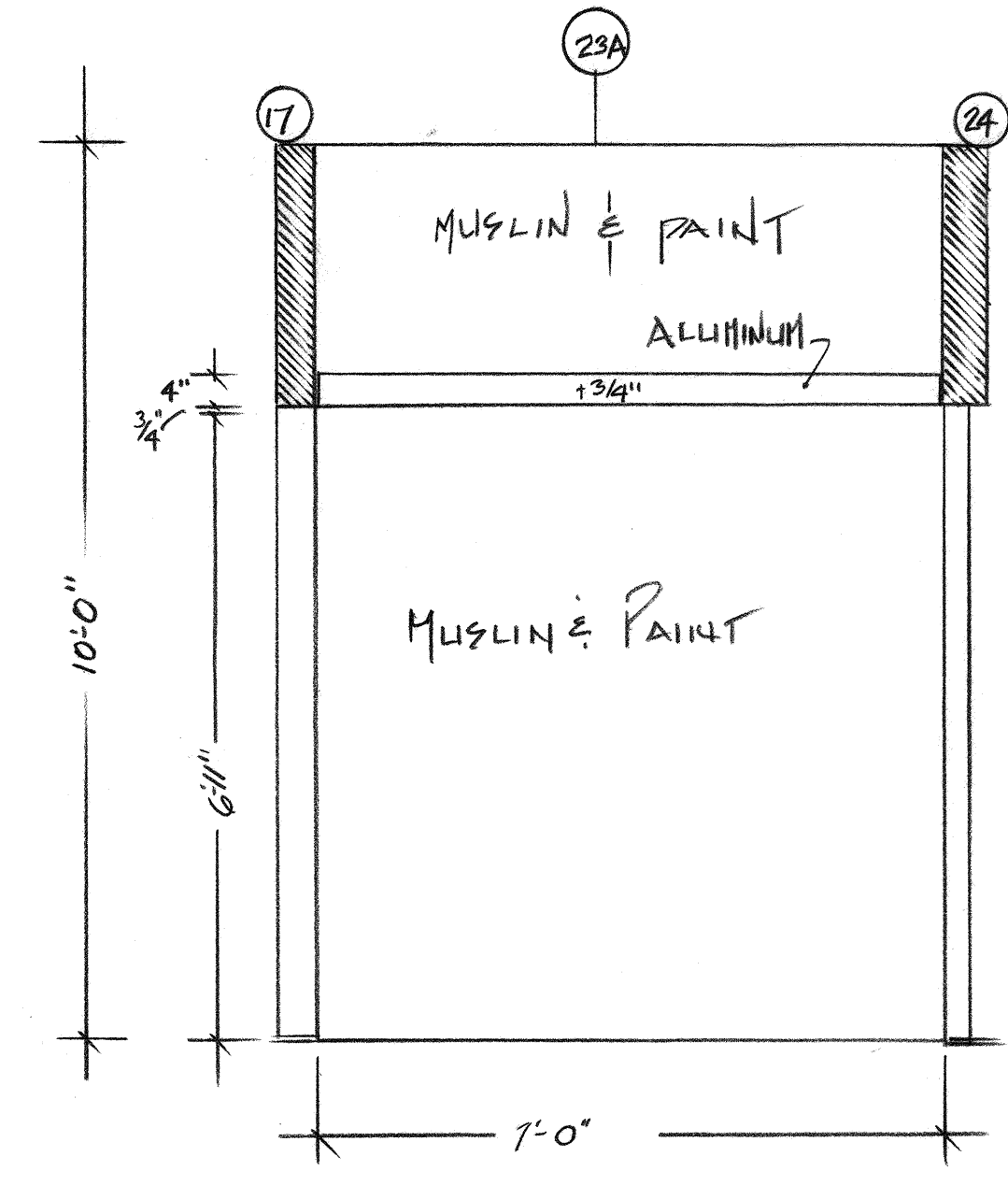


**TEMPO OFFICE**

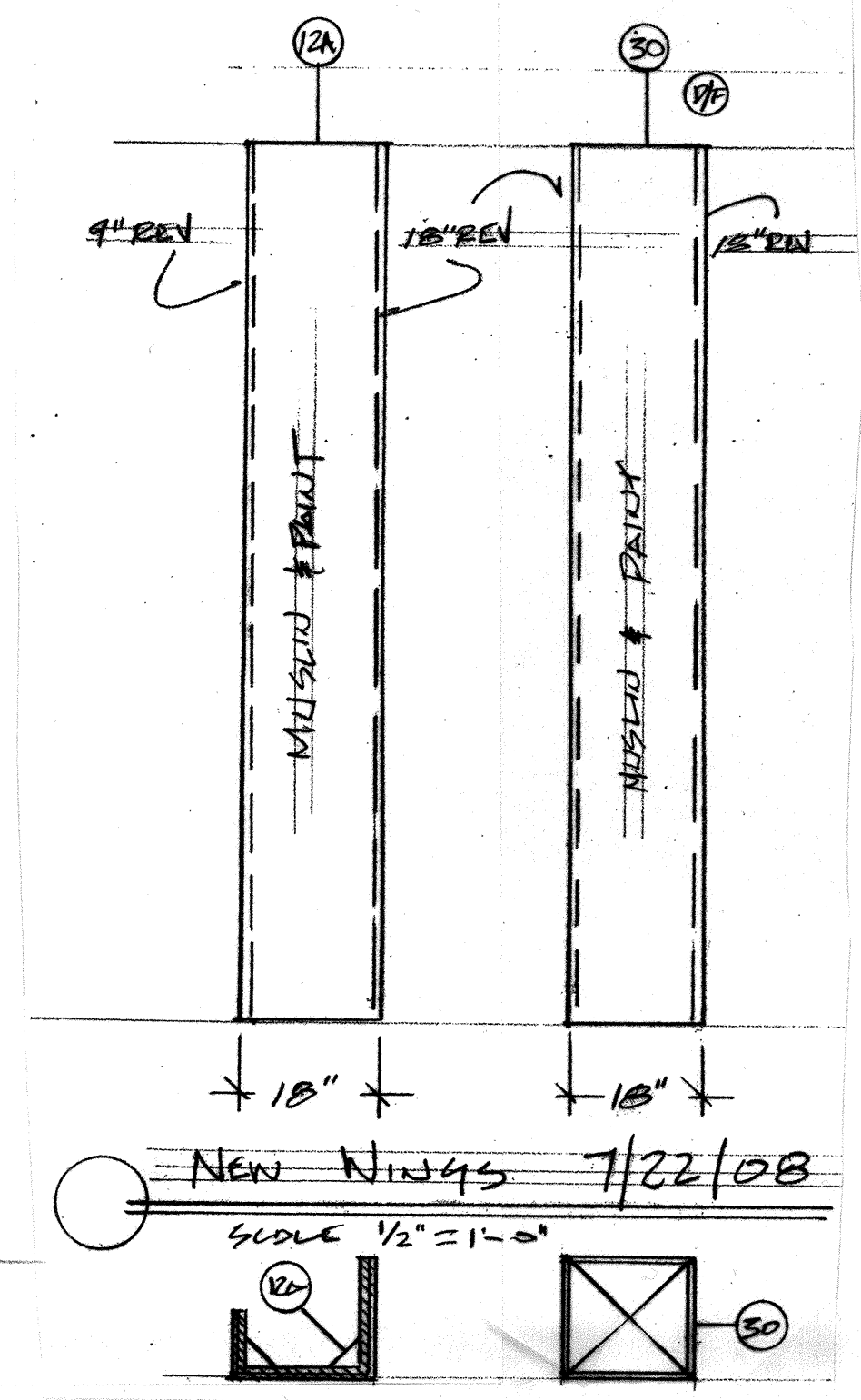
<p>UNION STAMP</p> <p>S.D. 1104 SCENIC DESIGNER</p> <p>SIGNATURE: <i>M. J. Moore</i></p>	<b>AMERICAN BROADCASTING COMPANIES</b>		DRAWING NO. <b>3</b>
	PROD.: <b>ALL MY CHILDREN</b>		STUDIO <b>TV 23</b>
	SET: <b>TEMPO OFFICE</b>		OF <b>4</b>
	SCALE: <b>1/2" = 1'-0"</b>	DEL. DATE: <b>9/17/01</b>	
	DRAWN: <b>8/14/01</b>	PROD. DATE:	
DESIGNER: <b>E. MOOREY</b>		DRAFTSMAN: <b>M. FAHRER</b>	



PAINTED MASONITE INSET PANELS  
 PLEASE MAKE THEM REMOVEABLE. SCALE: 1/2" = 1'-0"



NEW MURAL WING # 23A  
 SCALE 1/2" = 1'-0"



UNION STAMP	AMERICAN BROADCASTING COMPANIES		DRAWING NO.
	PROD.: ALL MY CHILDREN	STUDIO 23	4
	SET: TEMPO OFFICE		
	SCALE: 1/2" = 1'-0"	DEL. DATE: 6-9-06	OF 4
	DRAWN: DATE:	PROD. DATE: 6-12-06	
DESIGNER: R. MURPHY		DRAFTSMAN: B. D.	