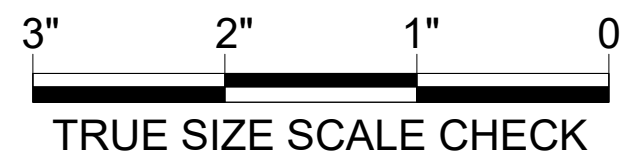


PROVIDE SAFETY RAILING FOR ESCAPE STEPS AND AROUND THE TOP OF THE PLATFORM

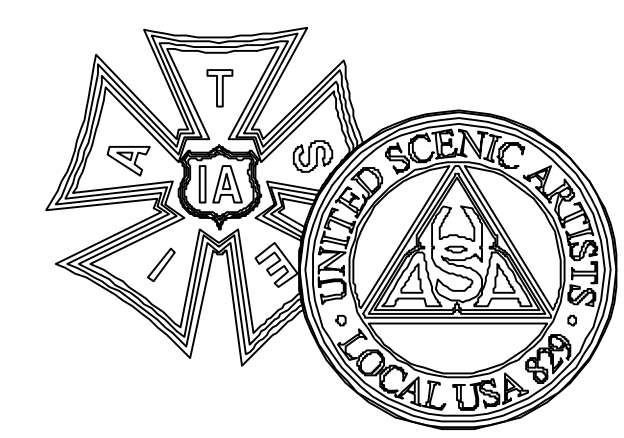
TYPICAL 10" OR 12" TREAD

NOTES:
 - NO BREAKING WALLS
 - SET DEC TO PROVIDE HARDWARE

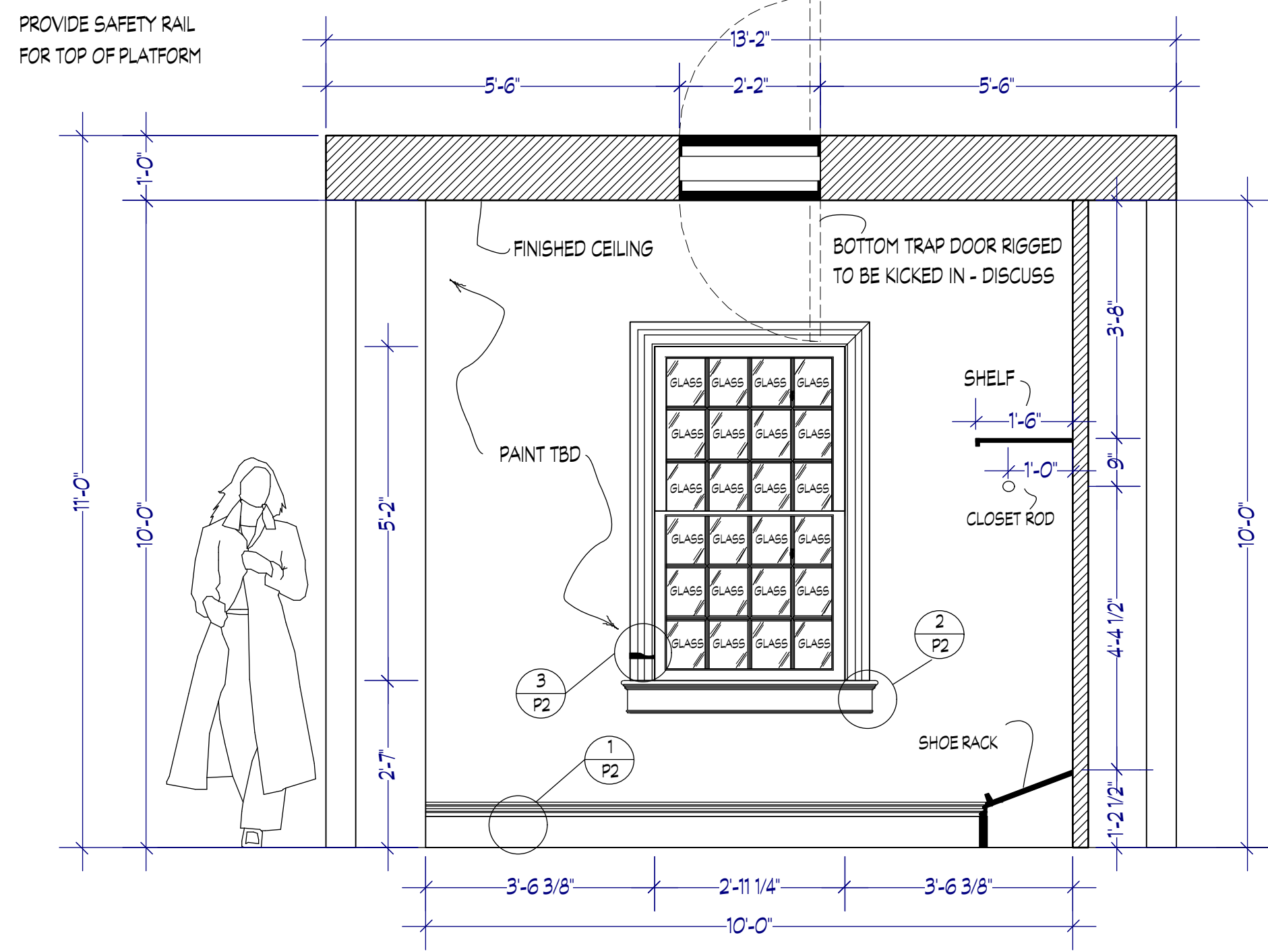
FLOOR PLAN 2ND FLOOR CLOSET
 Scale: 1" = 1'-0"



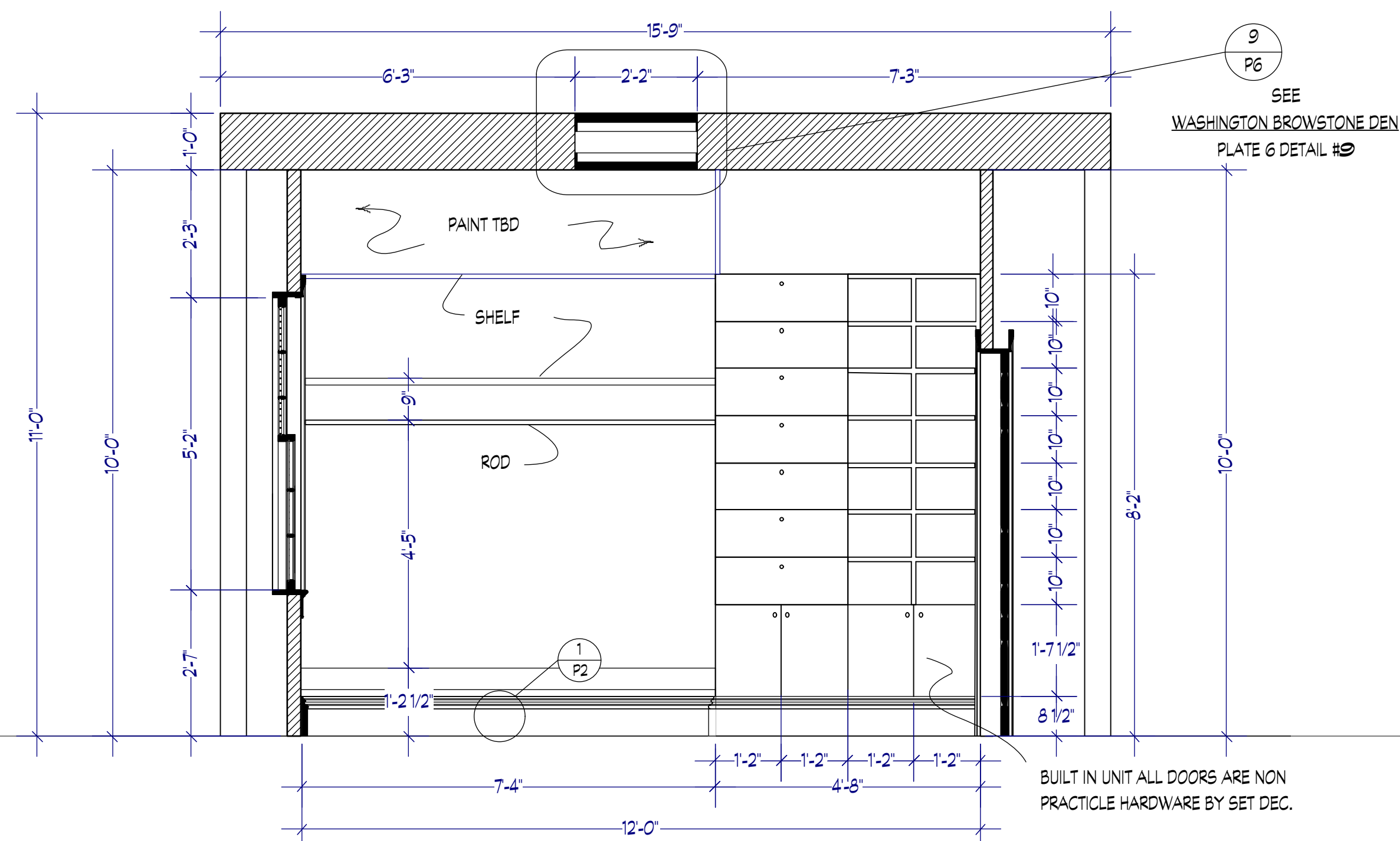
9/18/2015



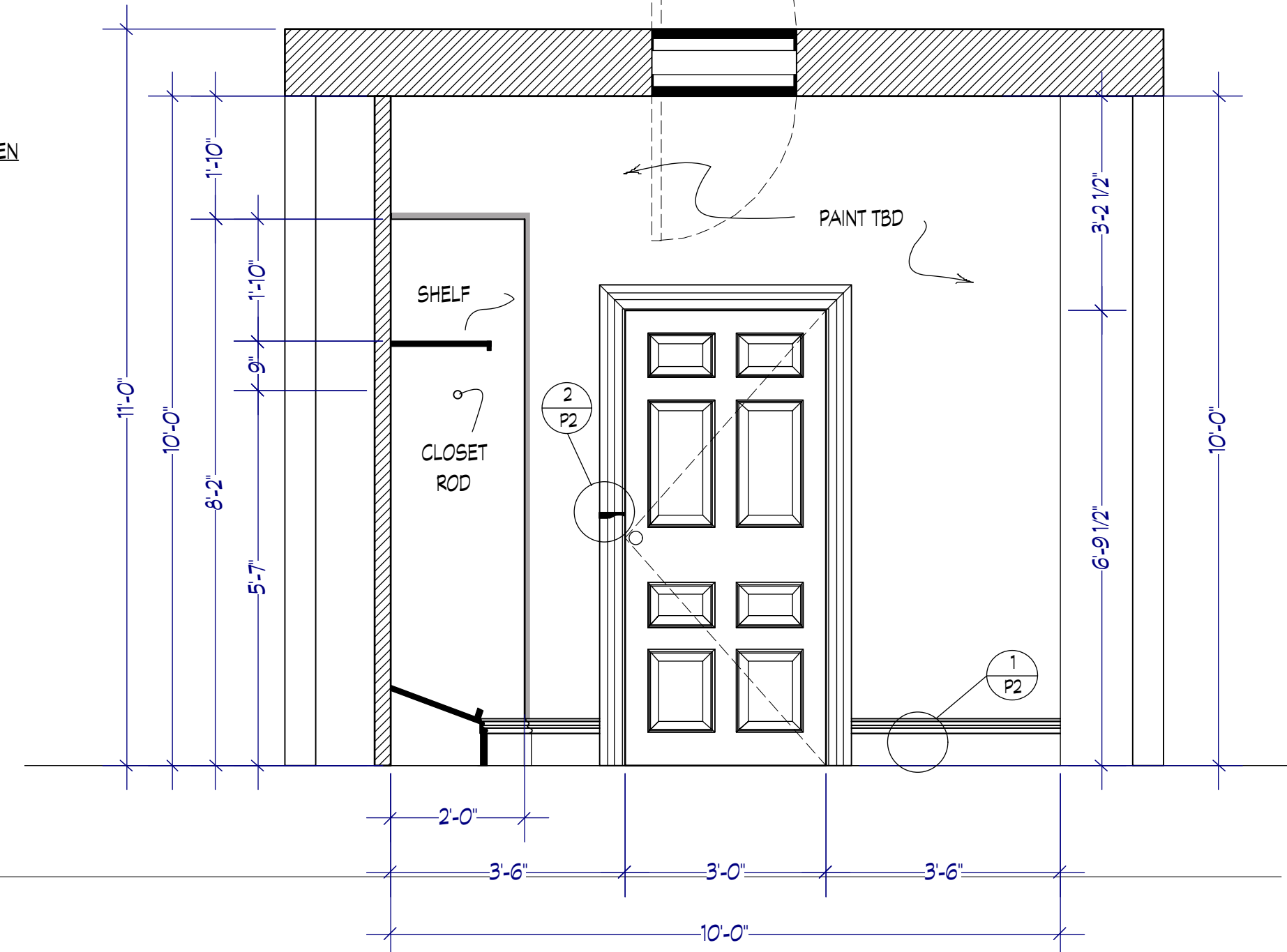
		DIRECTOR: JAMES DEMOLIACO PRODUCTION DESIGNER: SHARON LOMCOFSKY ART DIRECTOR: DAVID BLANKENSHIP		SET NAME: BROWNSTONE CLOSET LOCATION: PRODUCTION STAGE					
		DESCRIPTION: FLOOR PLAN 2ND FLOOR CLOSET		SHEET # 1 OF 3					
SET #: 112C DRAWN BY: M. FAHRER		DATE: 9/15/2015 SCALE: 1" = 1'-0"		ART DEPARTMENT 401.721.5475					
2	3	1	2	1	2	1	1	1	1
ART	CONST	SCENIC	SET DEC	PROPS	PROP	ELEC	GRP	LOC	CAMERA



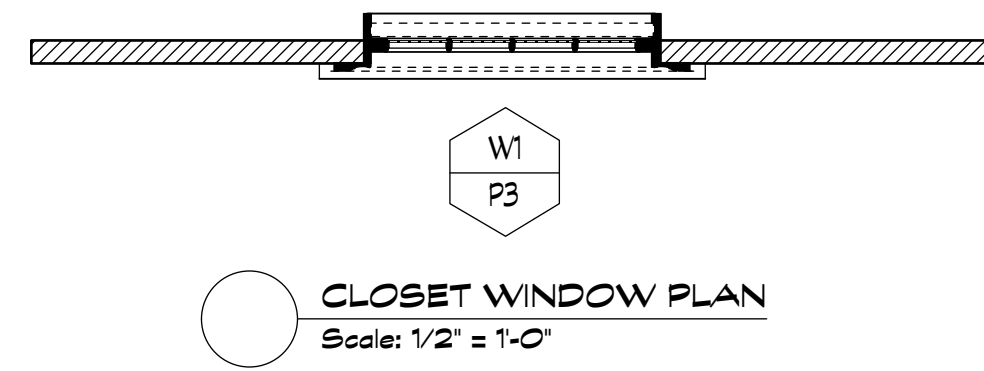
A CLOSET WINDOW ELEVATION W/ SECTION THROUGH BUILT IN WALL B
Scale: 1/2" = 1'-0"



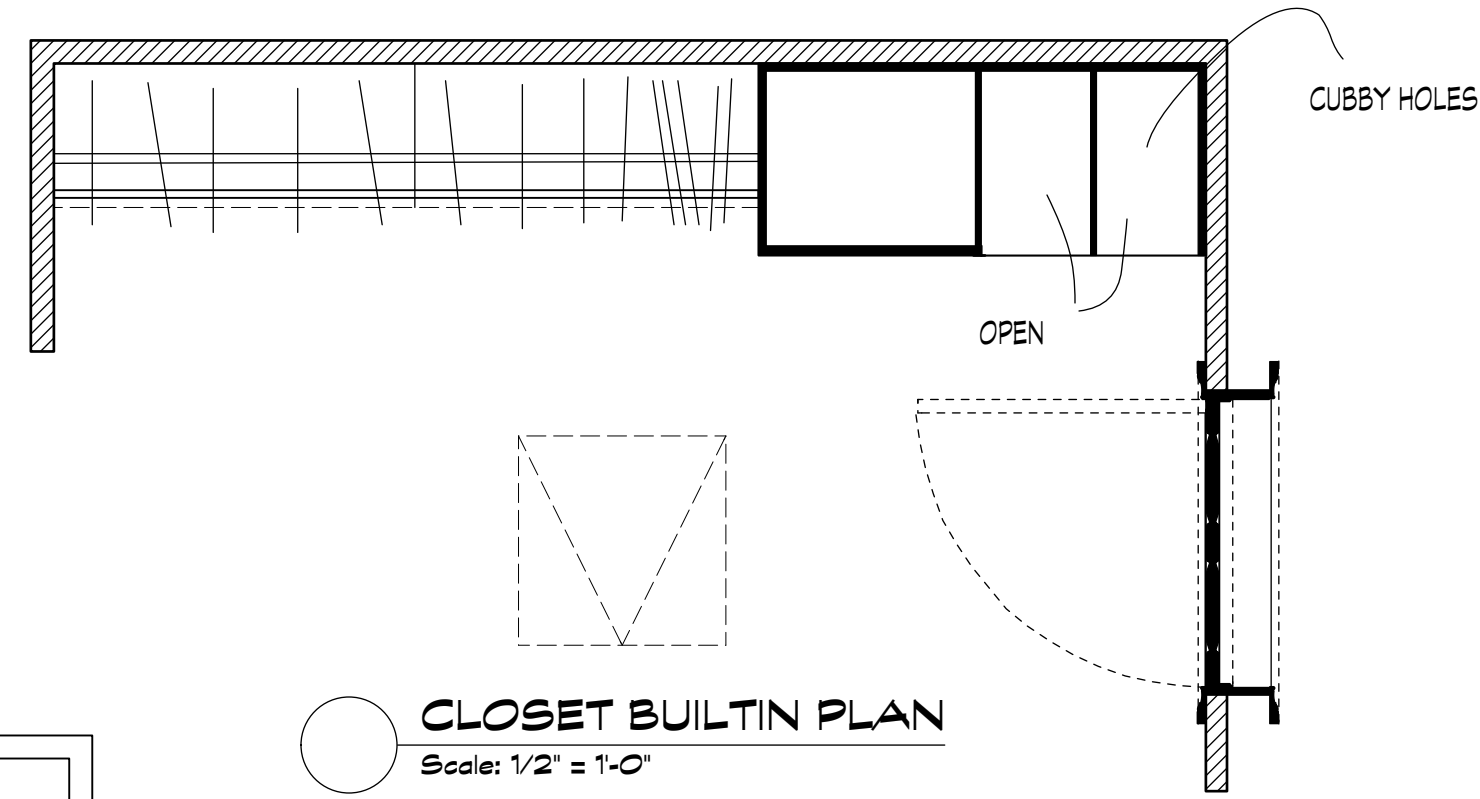
B CLOSET BUILT IN ELEVATION W/ SECTION THROUGH DOOR AND WINDOW
Scale: 1/2" = 1'-0"



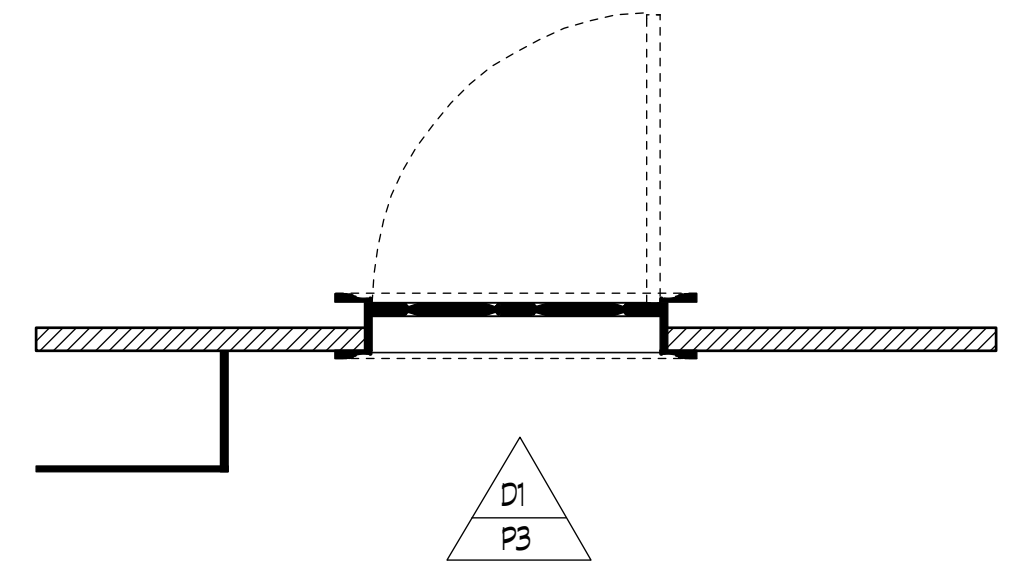
C CLOSET DOOR ELEVATION SECTION THROUGH WALL B
Scale: 1/2" = 1'-0"



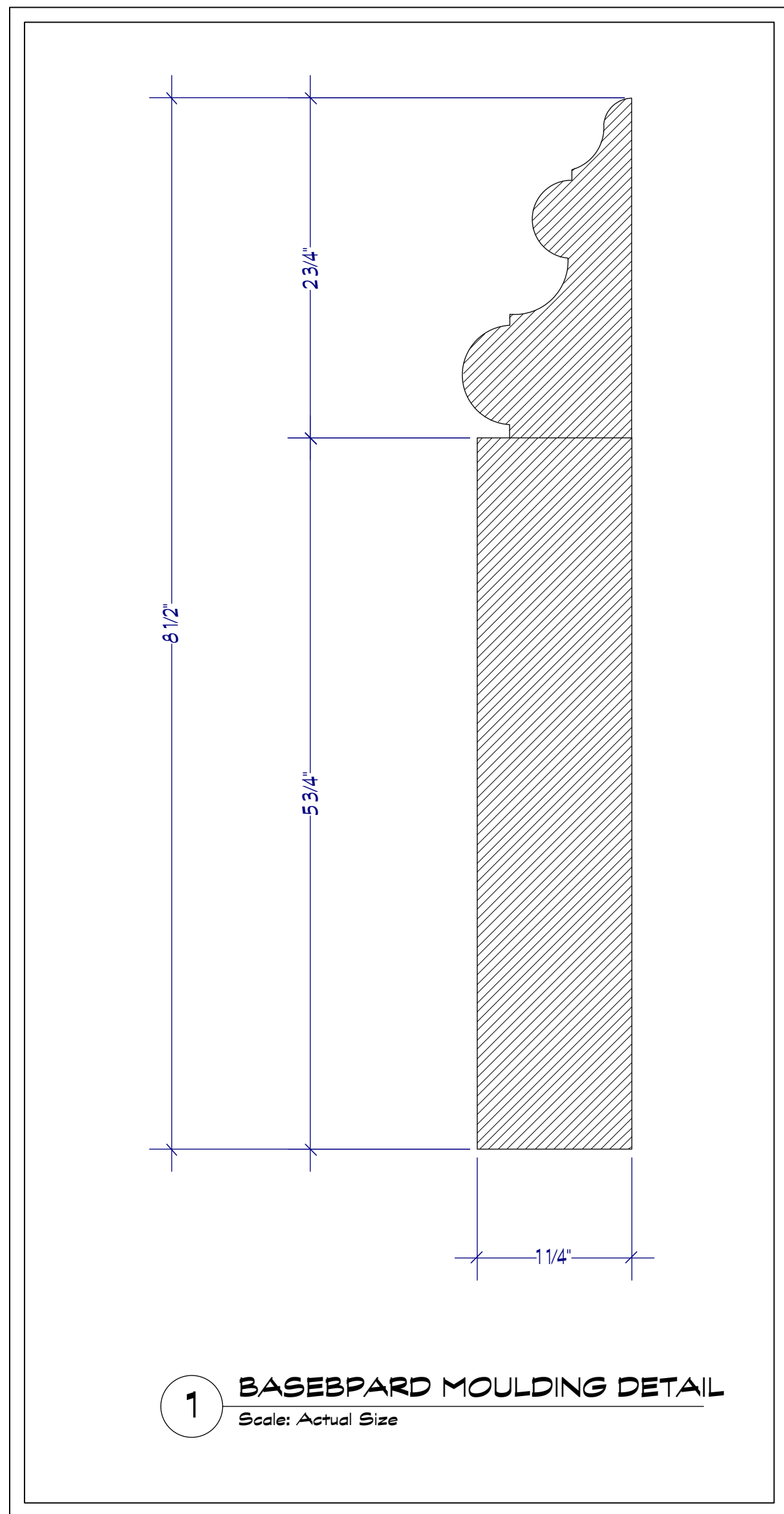
CLOSET WINDOW PLAN
Scale: 1/2" = 1'-0"



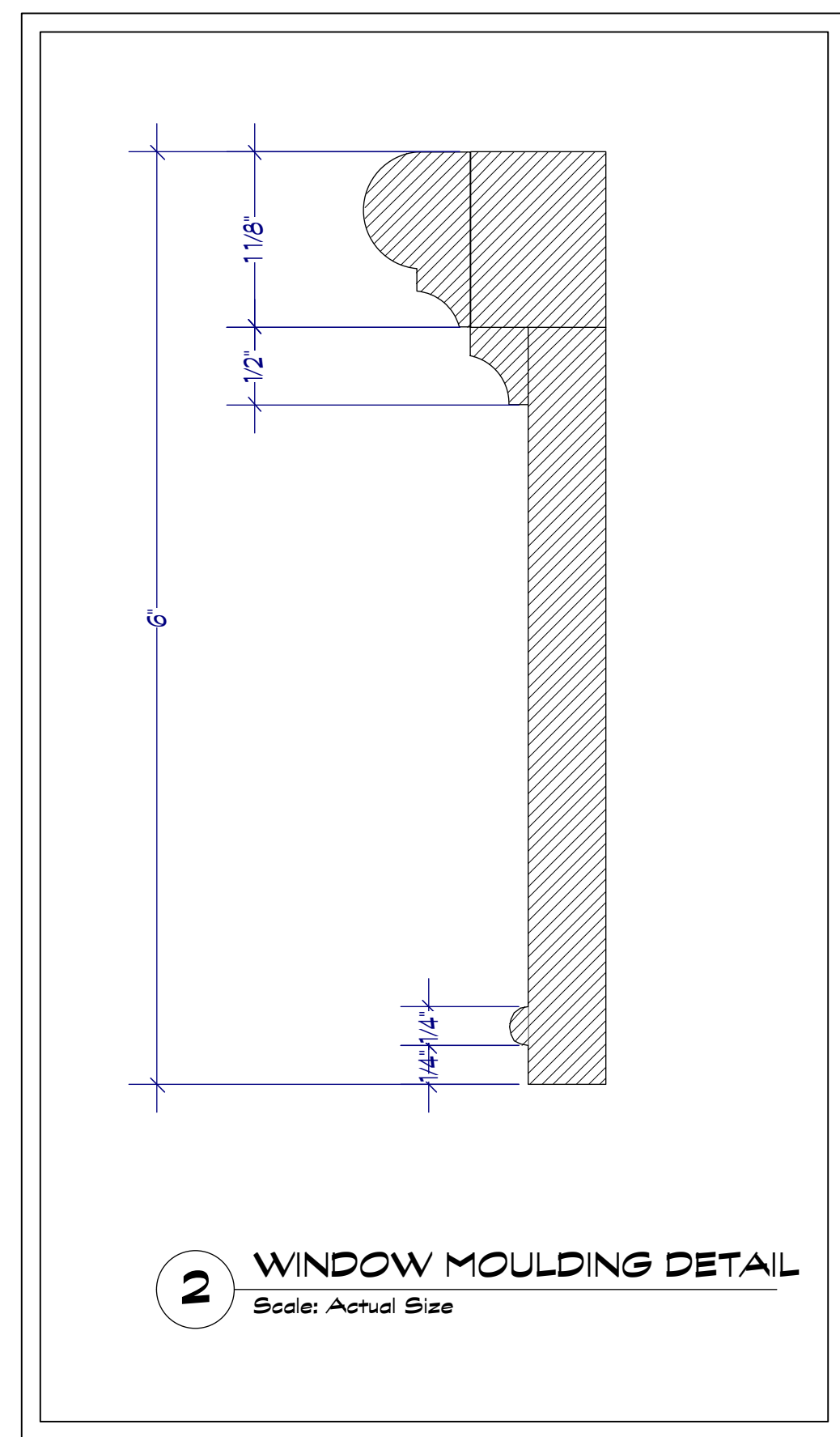
CLOSET BUILT IN PLAN
Scale: 1/2" = 1'-0"



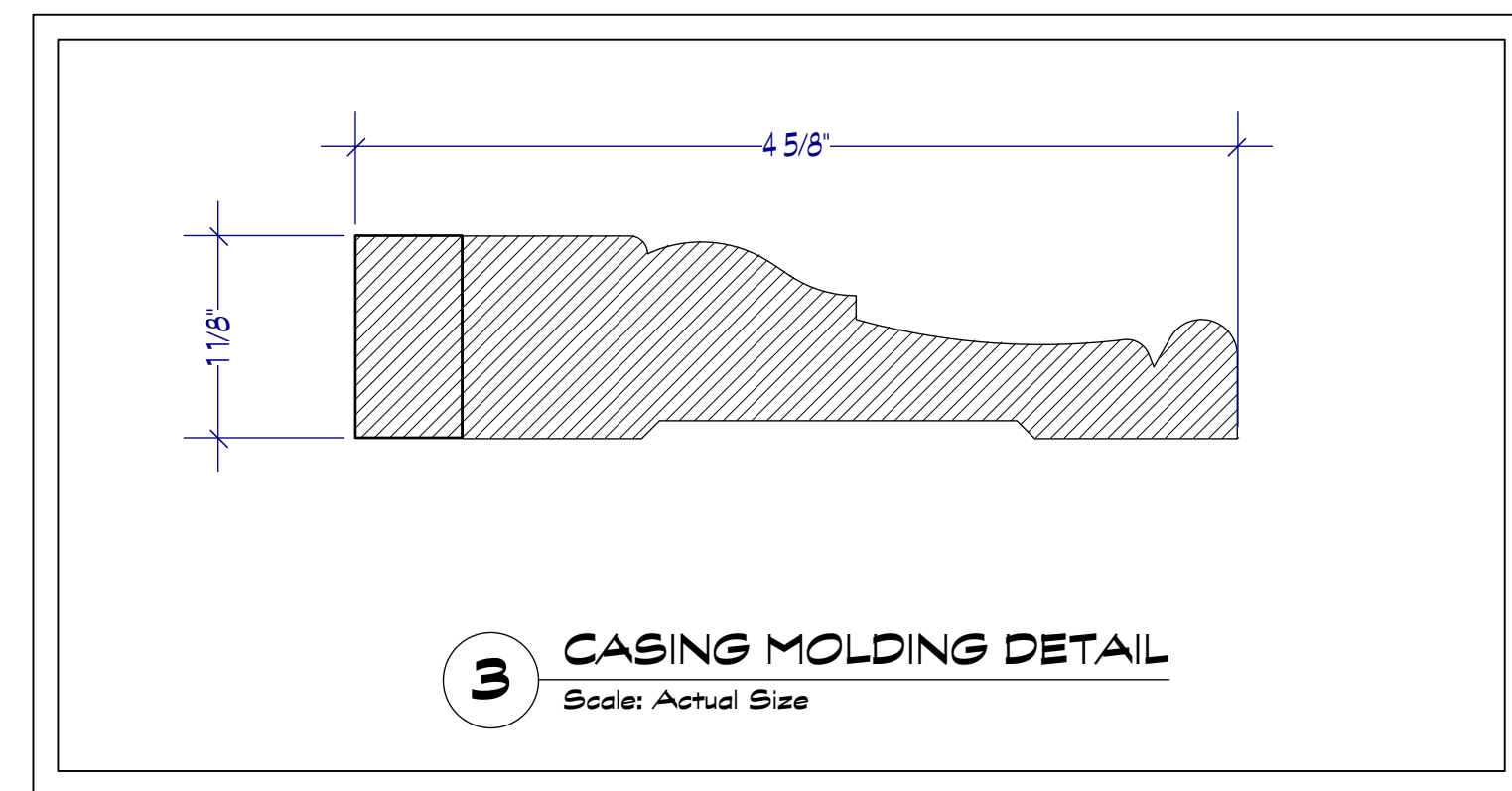
CLOSET DOOR PLAN
Scale: 1/2" = 1'-0"



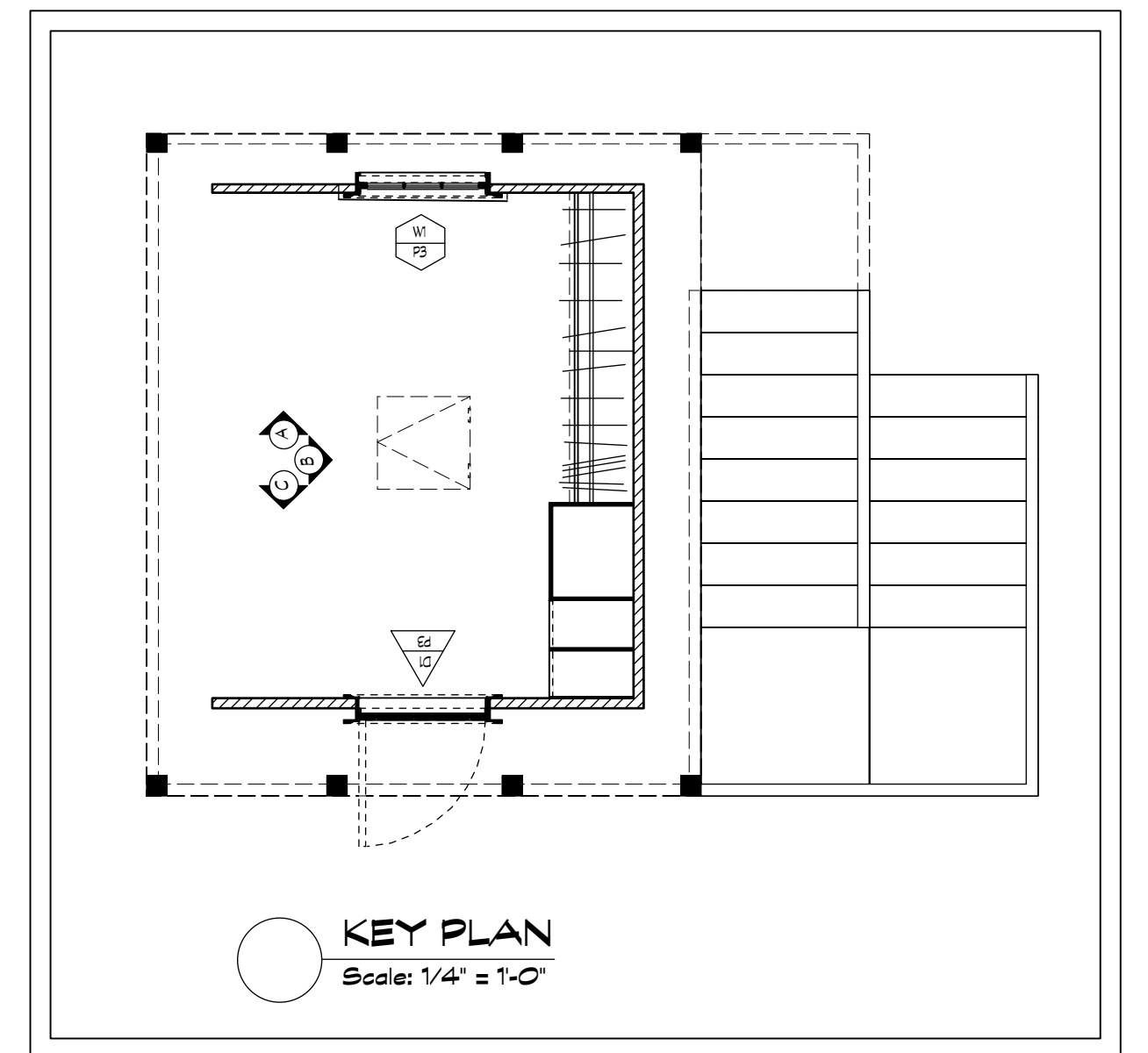
1 BASEBOARD MOULDING DETAIL
Scale: Actual Size



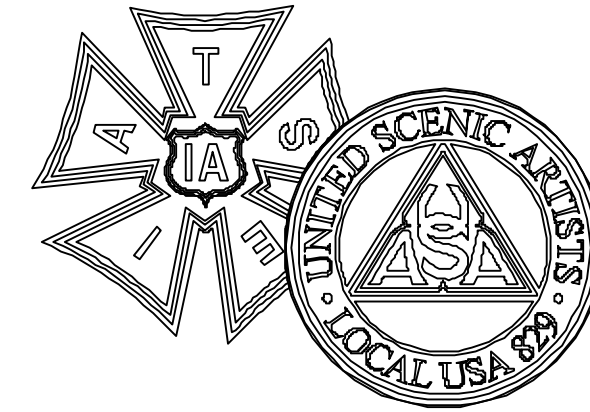
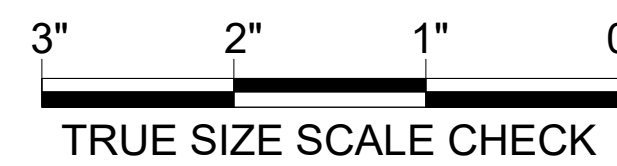
2 WINDOW MOULDING DETAIL
Scale: Actual Size



3 CASING MOULDING DETAIL
Scale: Actual Size

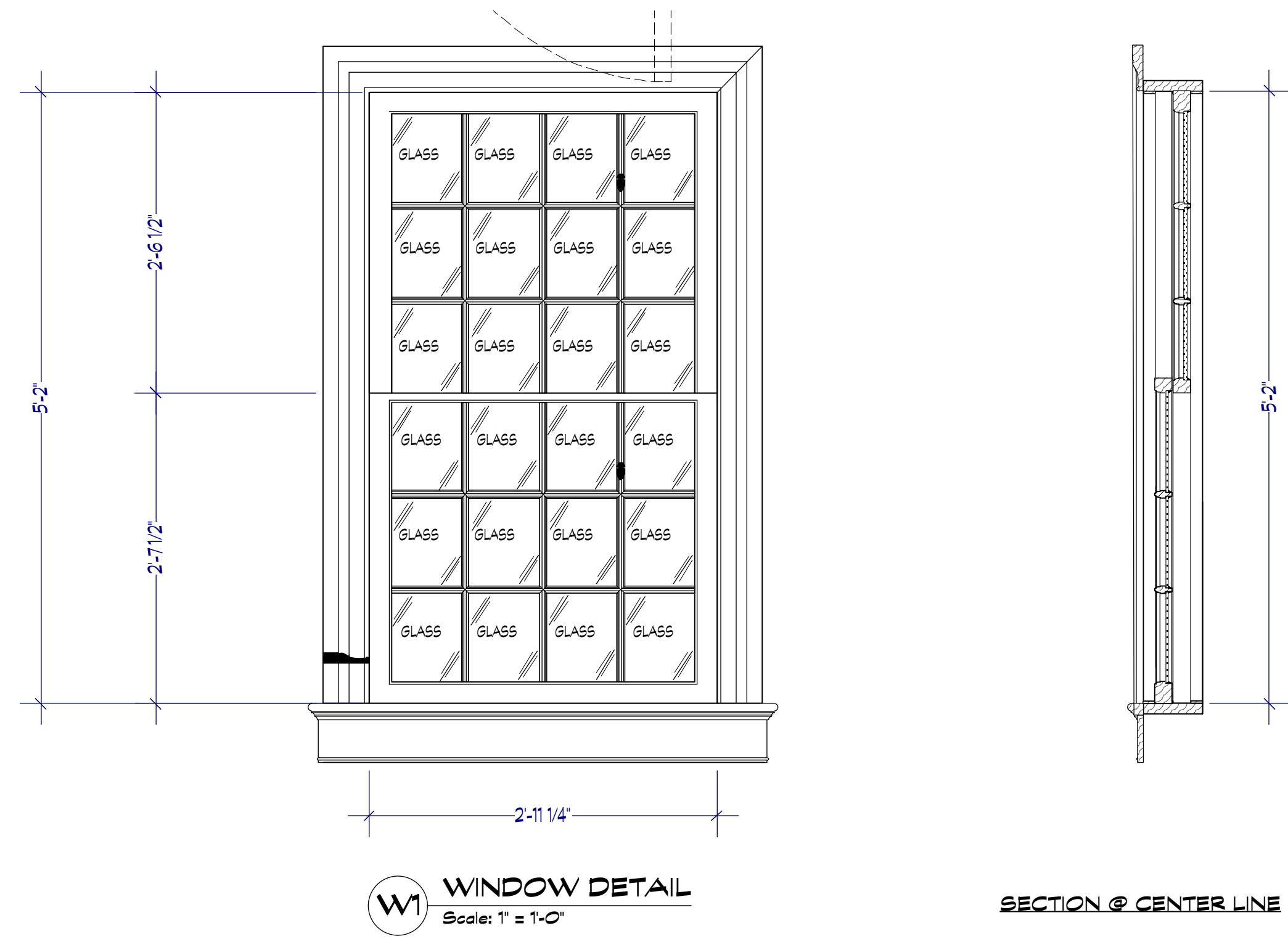


KEY PLAN
Scale: 1/4" = 1'-0"



9/18/2015

		THE CODE DIRECTOR: JAMES DEMOLIACO PRODUCTION DESIGNER: SHARON LOMDOFSKY ART DIRECTOR: DAVID BLANKENSHIP		SET NAME: BROWNSTONE CLOSET LOCATION: PRODUCTION STAGE	
		DESCRIPTION: ELEVATION 2ND FLOOR CLOSET		SHEET# 2 OF 3	
SET#: 112C DATE: 9/15/2015		DRAWN BY: M. FAHRER SCALE: AS NOTED		ART DEPARTMENT 401.721.5475	
2	3	1	2	1	2
ART	CONST.	SCENIC	SET DEC.	PROPS	PROP.
				1	1
				ELEC.	GRIP
				1	1
				LOC.	CAMERA

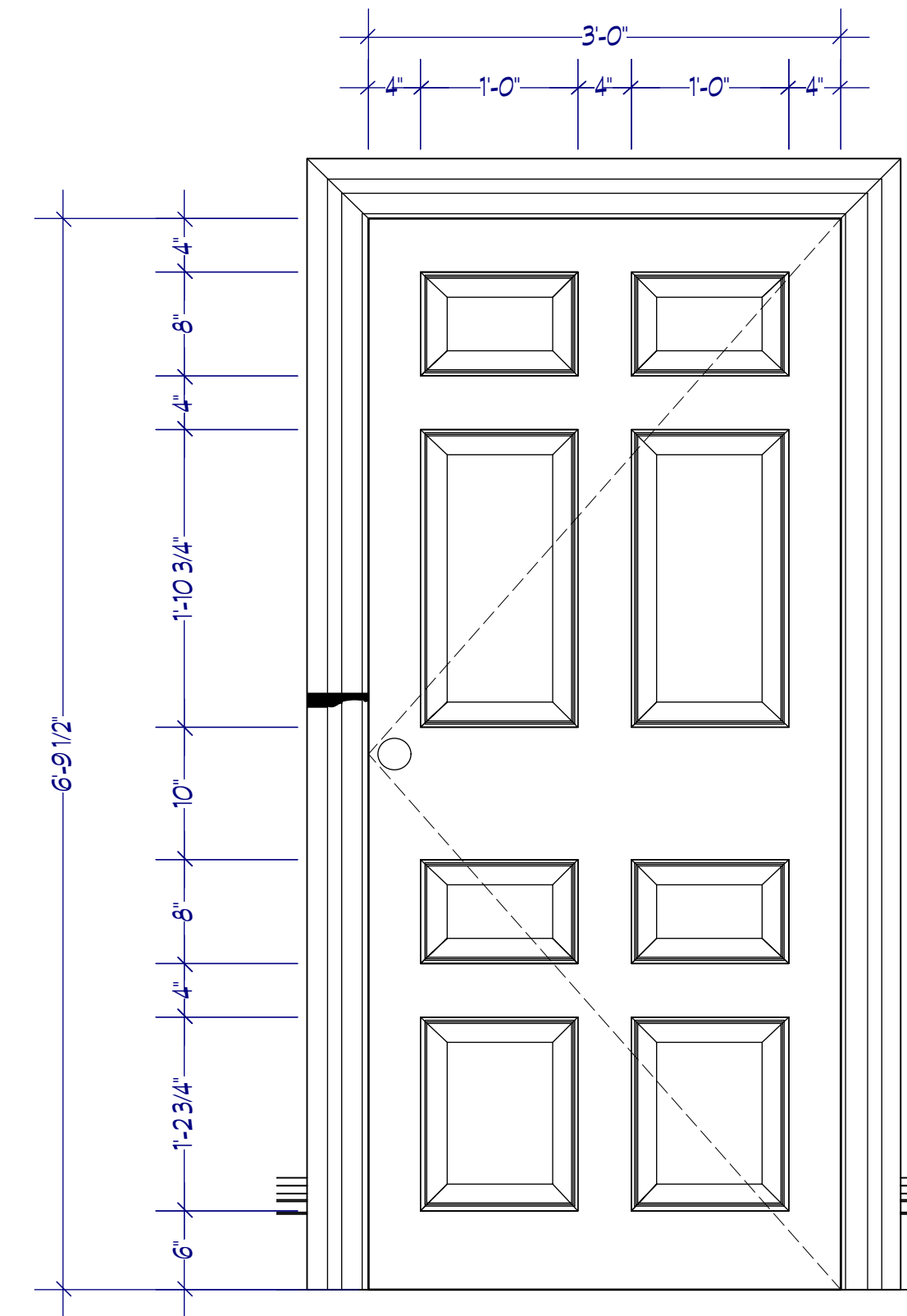


W1 WINDOW DETAIL
Scale: 1" = 1'-0"

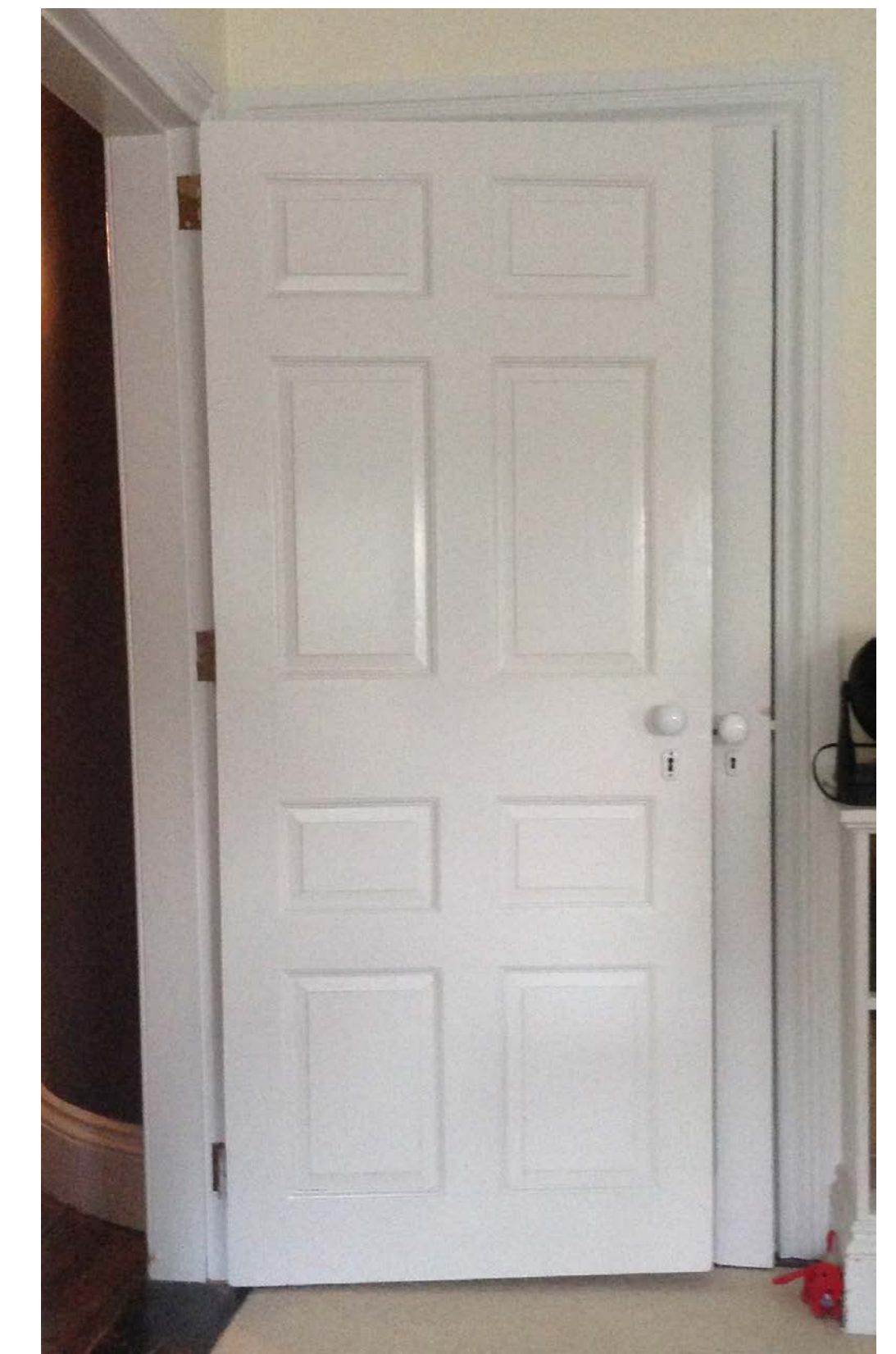
SECTION @ CENTER LINE



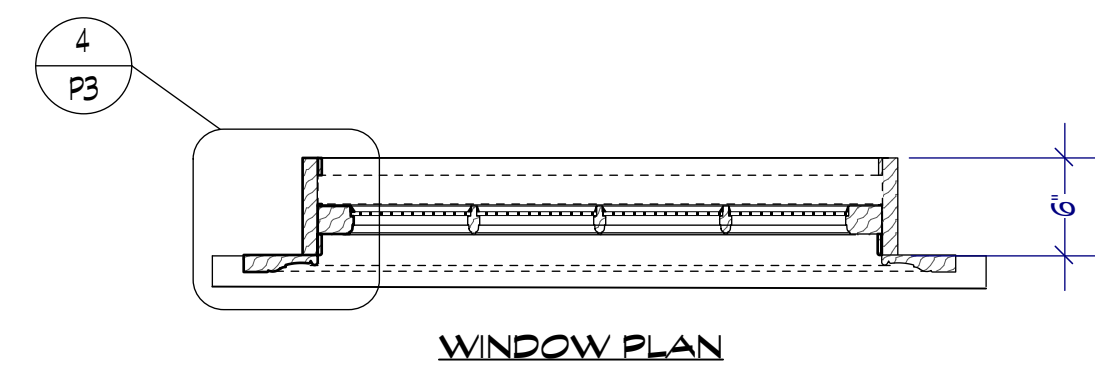
ACTUAL LOCATION WINDOW



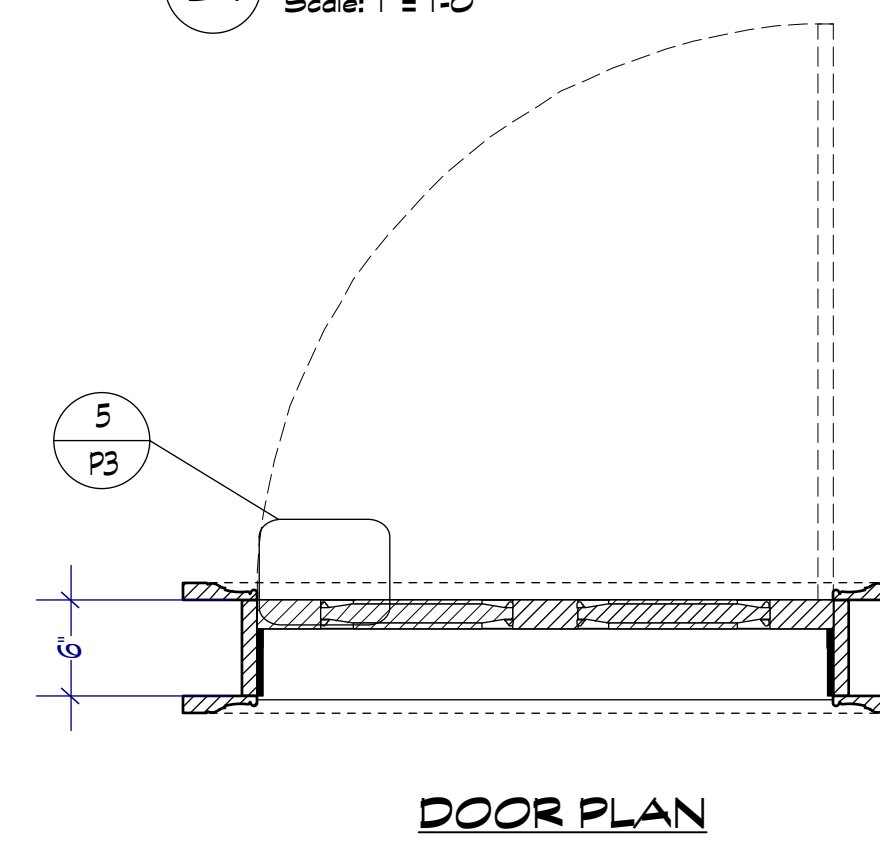
D1 DOOR DETAIL ELEVATION
Scale: 1" = 1'-0"



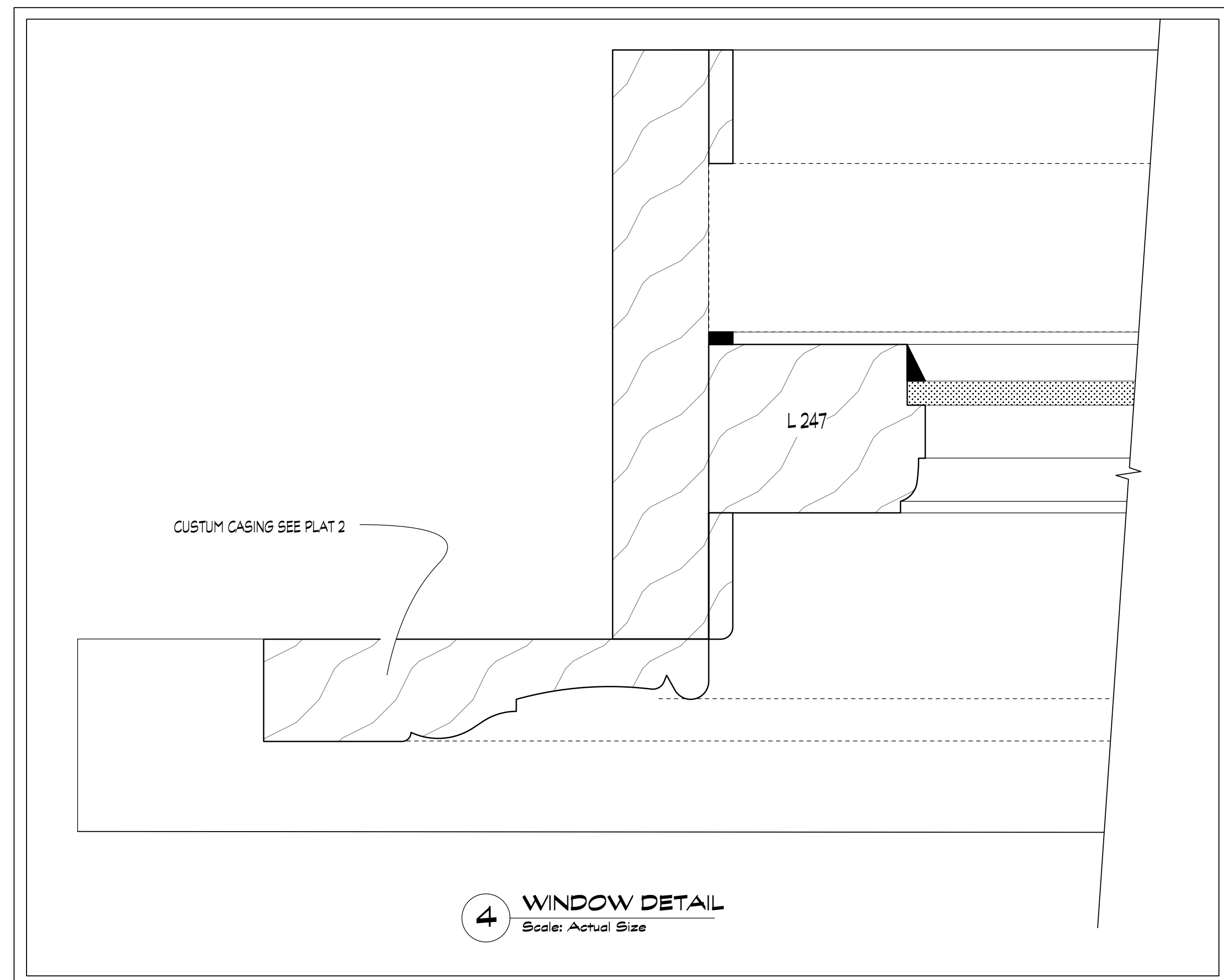
ACTUAL LOCATION DOOR



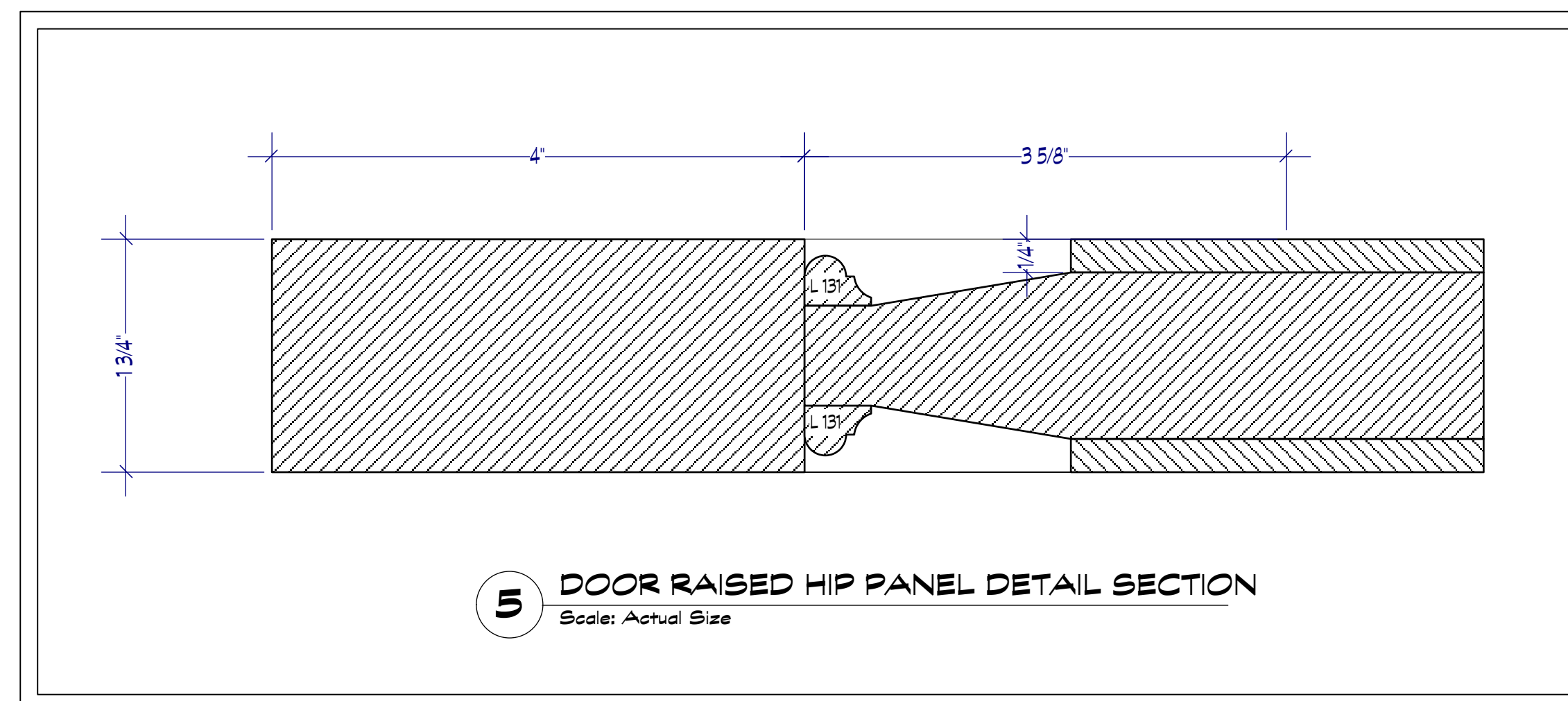
WINDOW PLAN



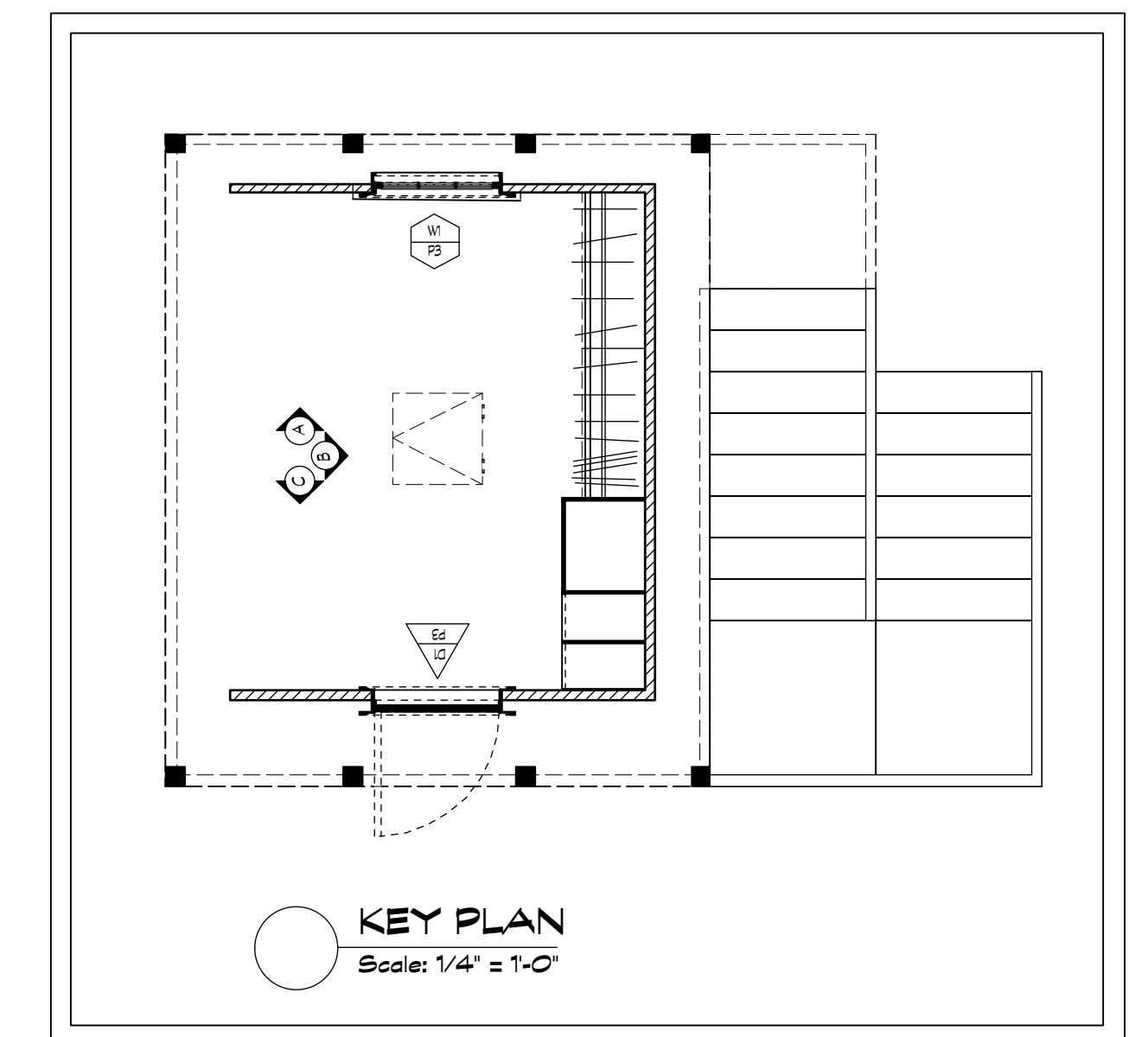
DOOR PLAN



4 WINDOW DETAIL
Scale: Actual Size

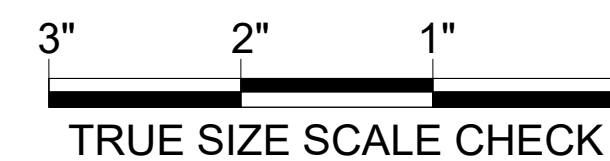


5 DOOR RAISED HIP PANEL DETAIL SECTION
Scale: Actual Size

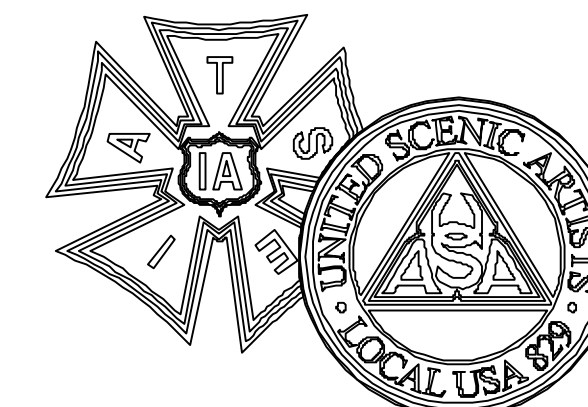


KEY PLAN
Scale: 1/4" = 1'-0"

9/18/2015



TRUE SIZE SCALE CHECK



THE CODE		SET NAME: BROWNSTONE CLOSET	
ASSASSINUS PRODUCTIONS 275 WEST LANTICK ROAD SUITE 400 WARWICK, RI 02886 ART DEPARTMENT 401.721.5475		LOCATION: PRODUCTION STAGE	
DIRECTOR: JAMES DEMOLIACO PRODUCTION DESIGNER: SHARON LOMOFFSKY ART DIRECTOR: DAVID BLANKENSHIP		DESCRIPTION: DETAILS 2ND FLOOR CLOSET	
SET #: 112C	DRAWN BY: M. FAHRER		SHEET #
DATE: 9/15/2015	SCALE: AS NOTED		3
2 ART	3 CONST	1 SCENIC	2 SET DEC
1 PROPS	2 PROP	1 ELEC	1 GRP
1 LOC	1 CAMERA		
			OF 3