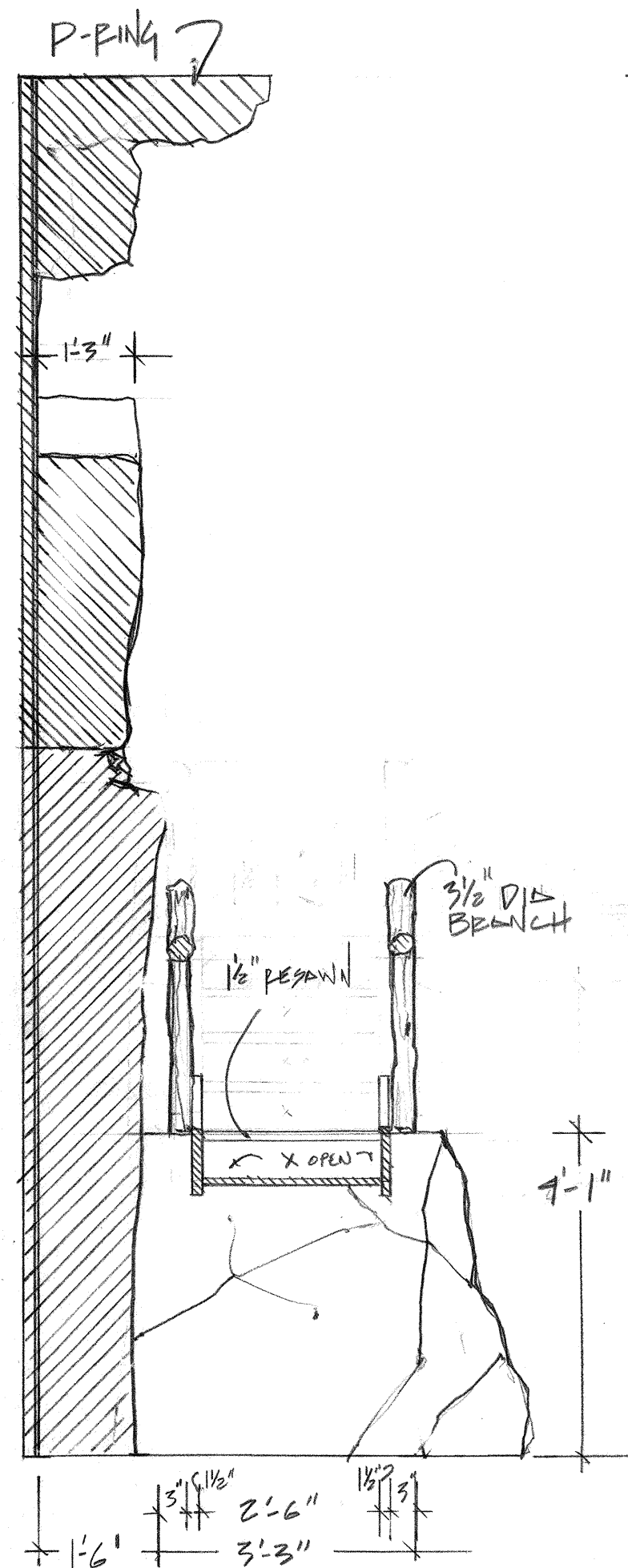
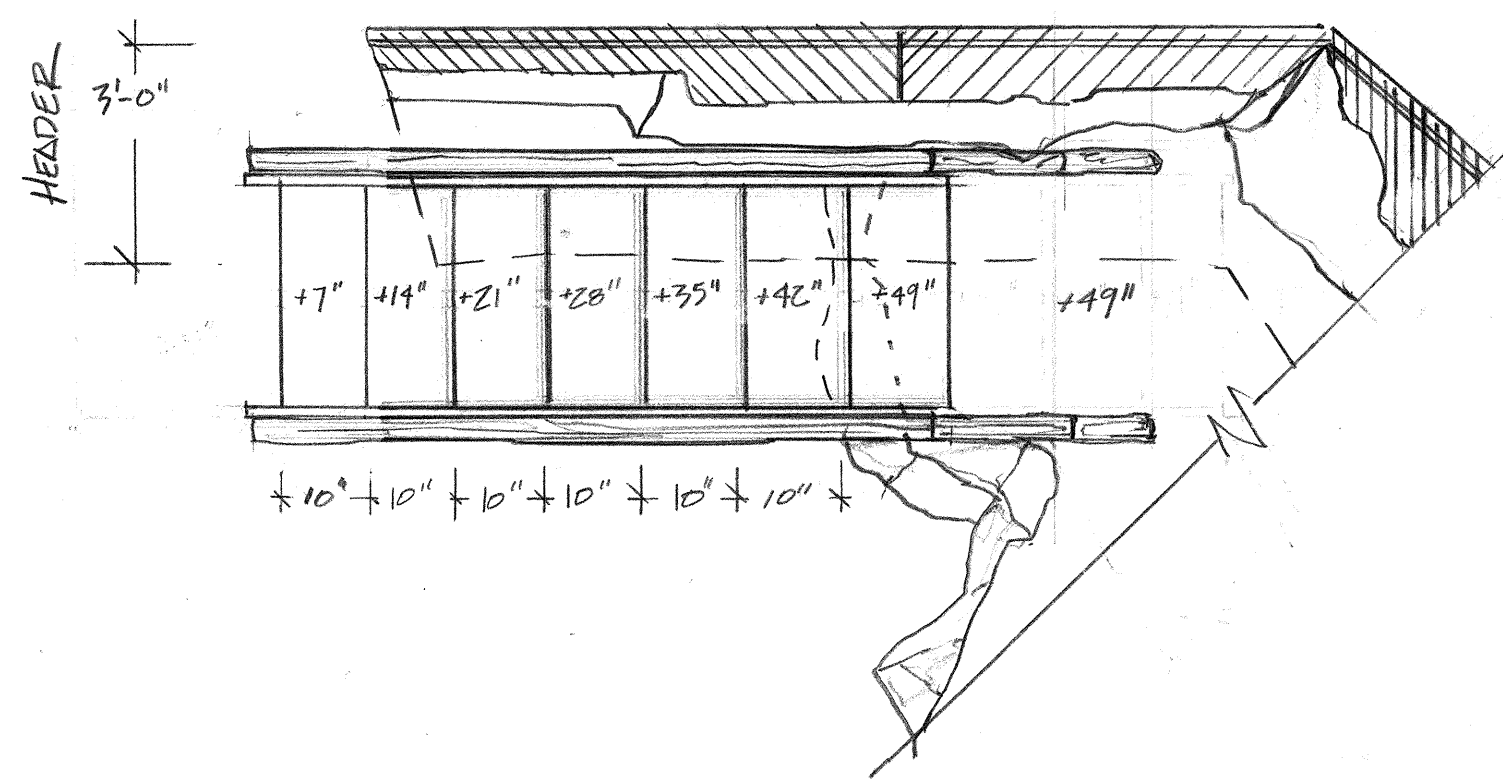
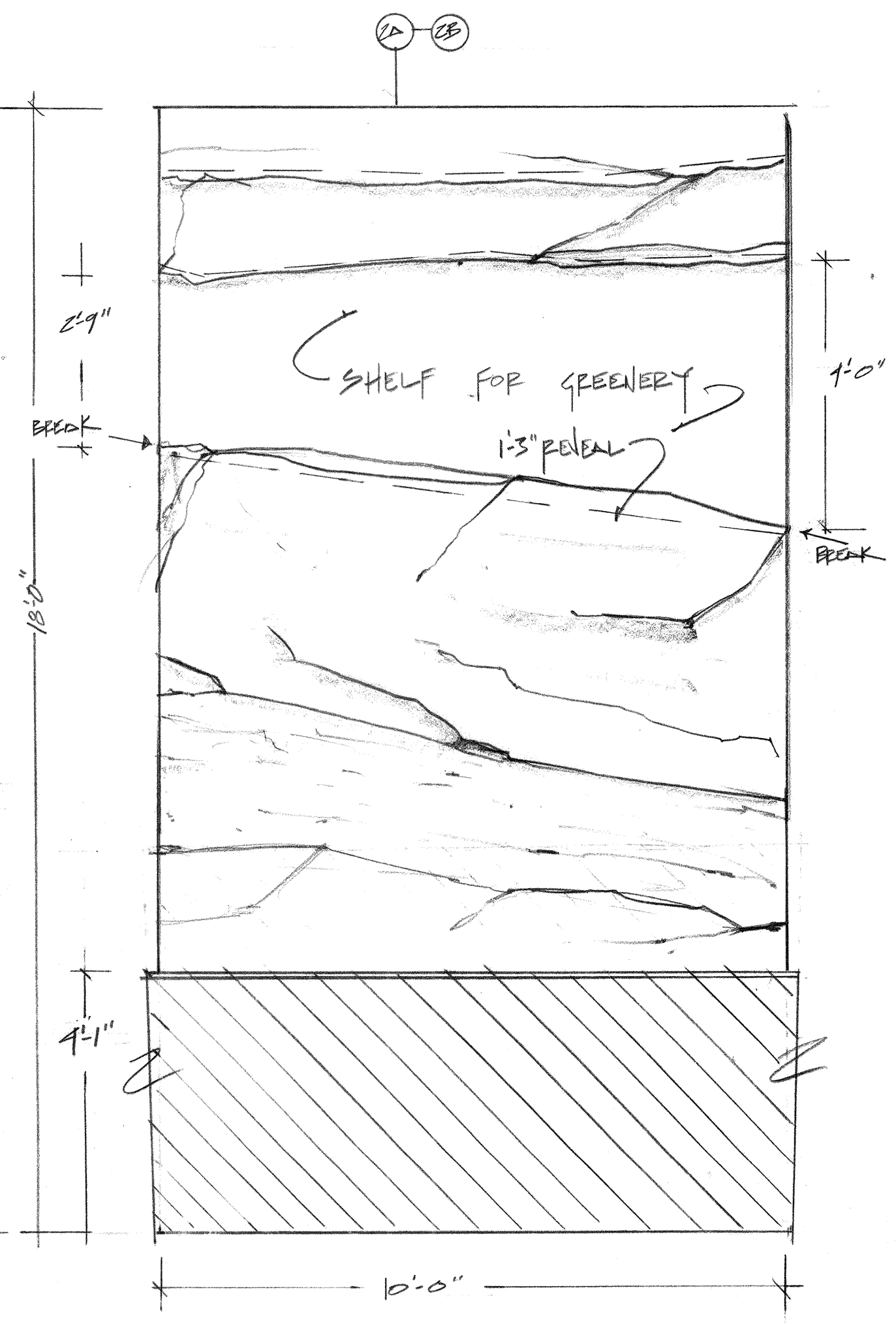


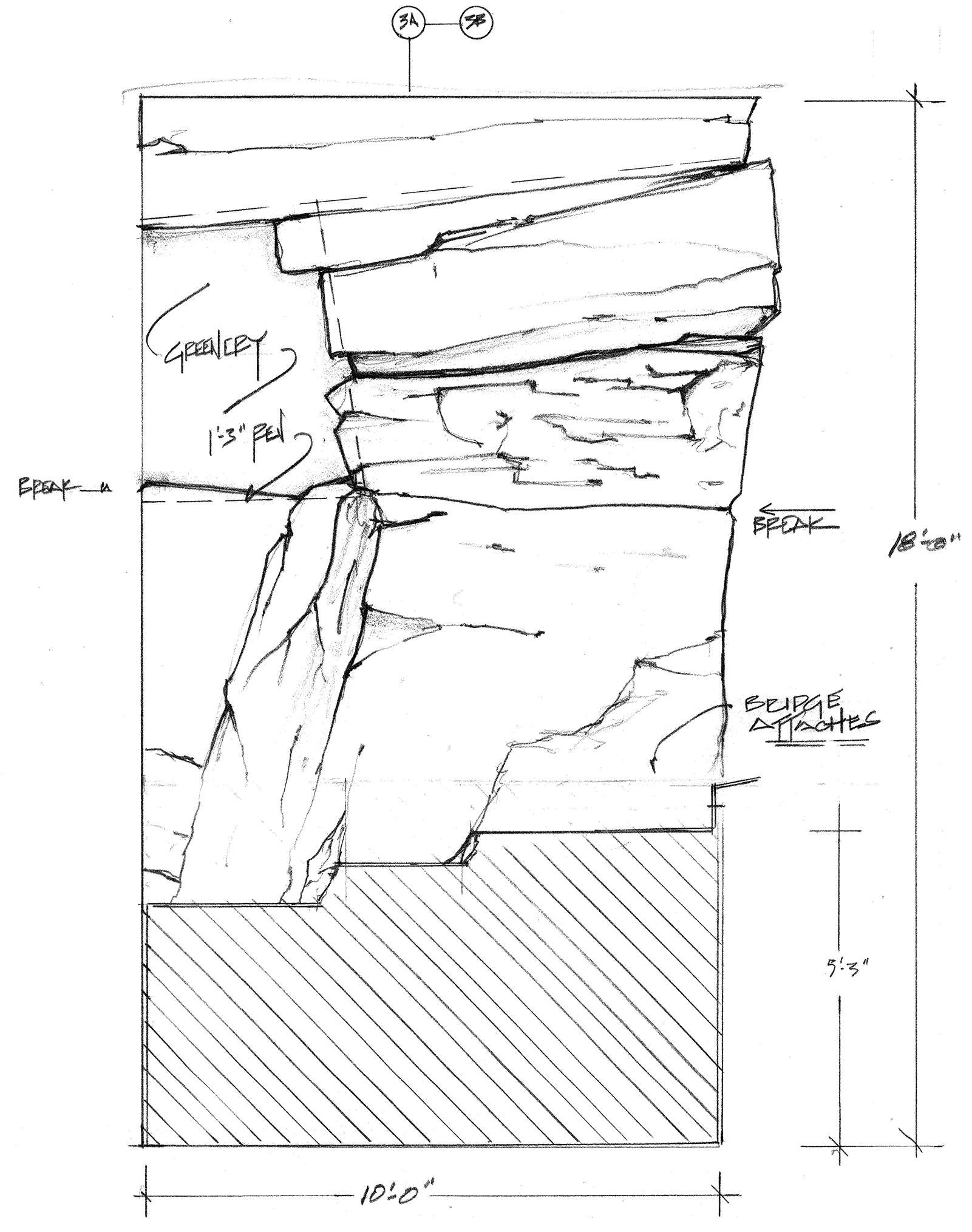
A STAGE RIGHT ENTRANCE
SCALE 1/2" = 1'-0"



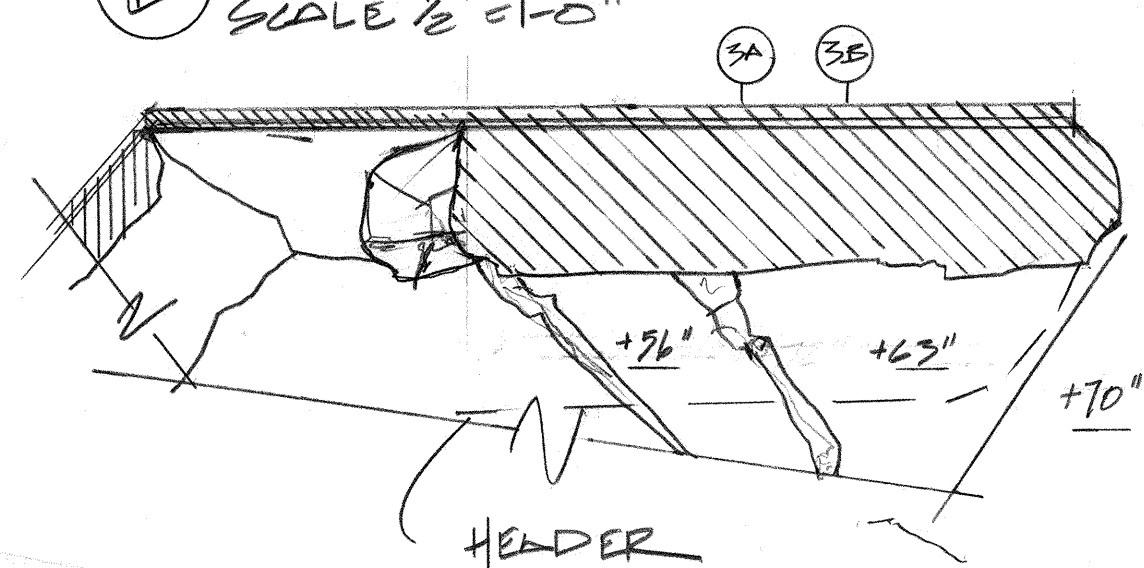
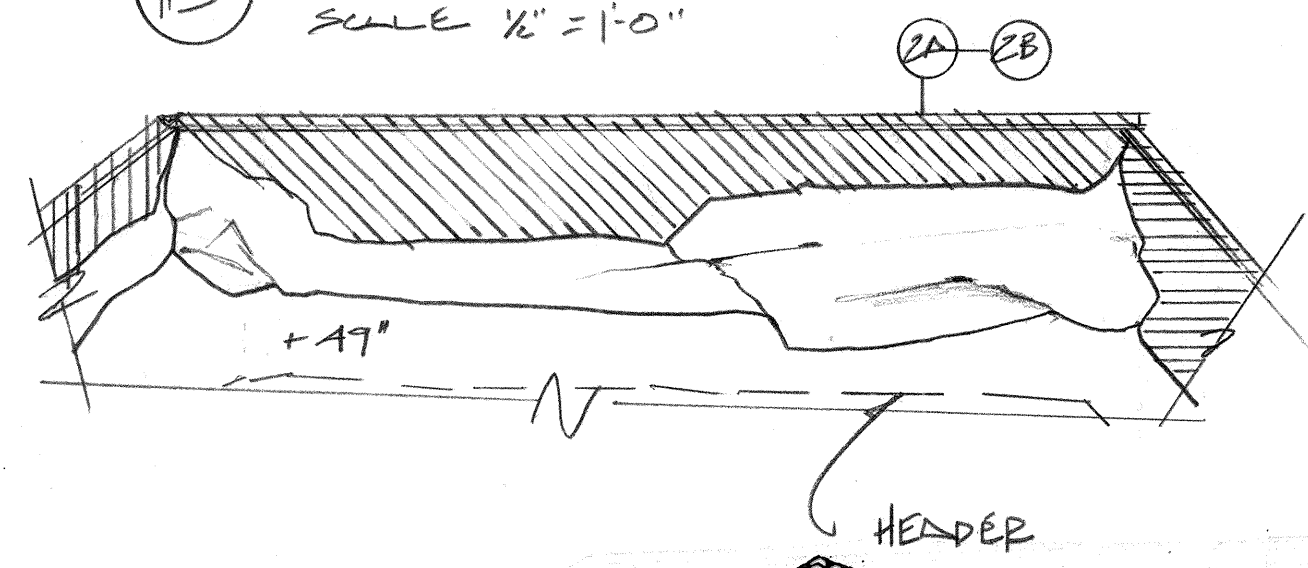
AA SECTION AA
SCALE 1/2" = 1'-0"



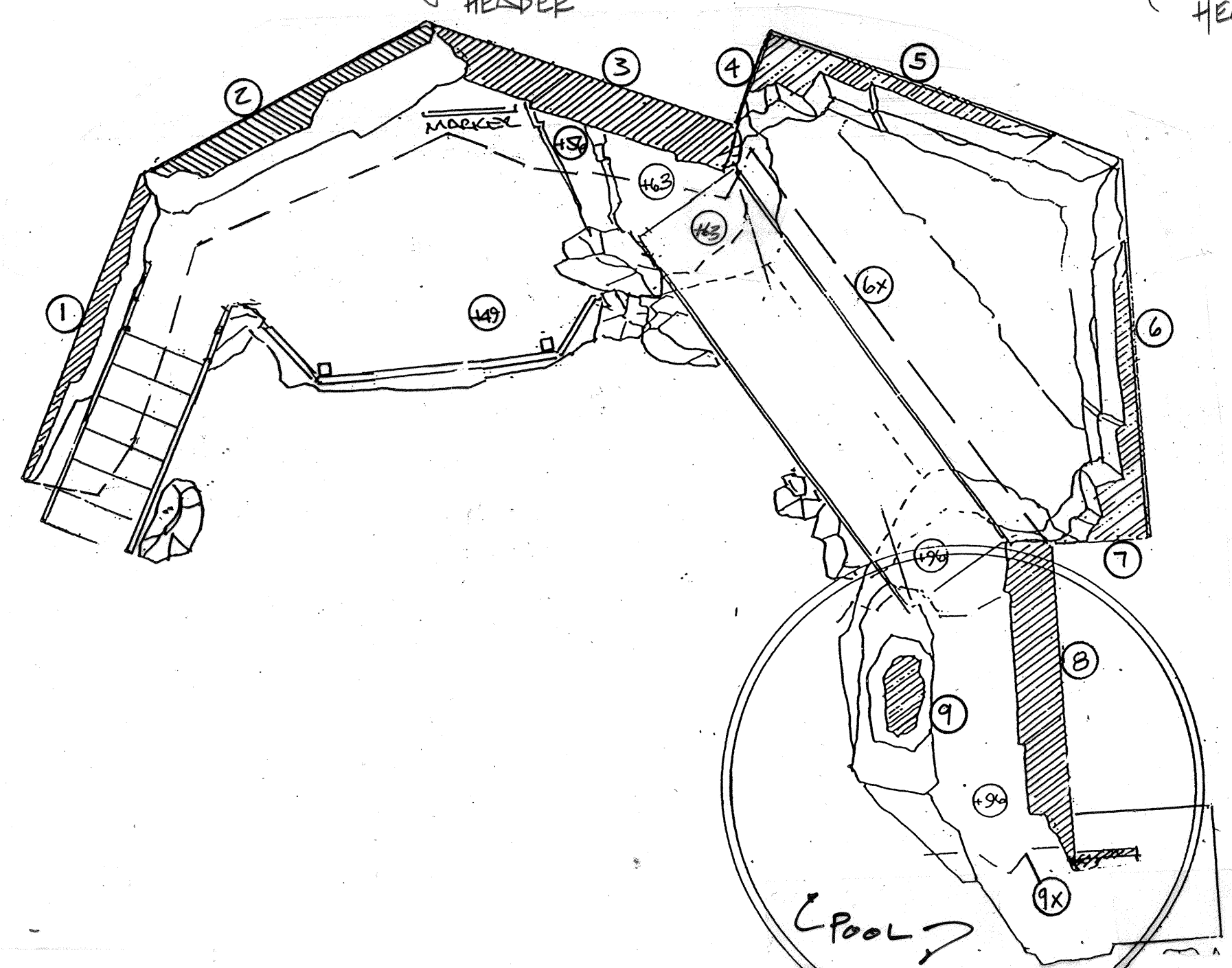
B C/C WALL
SCALE 1/2" = 1'-0"



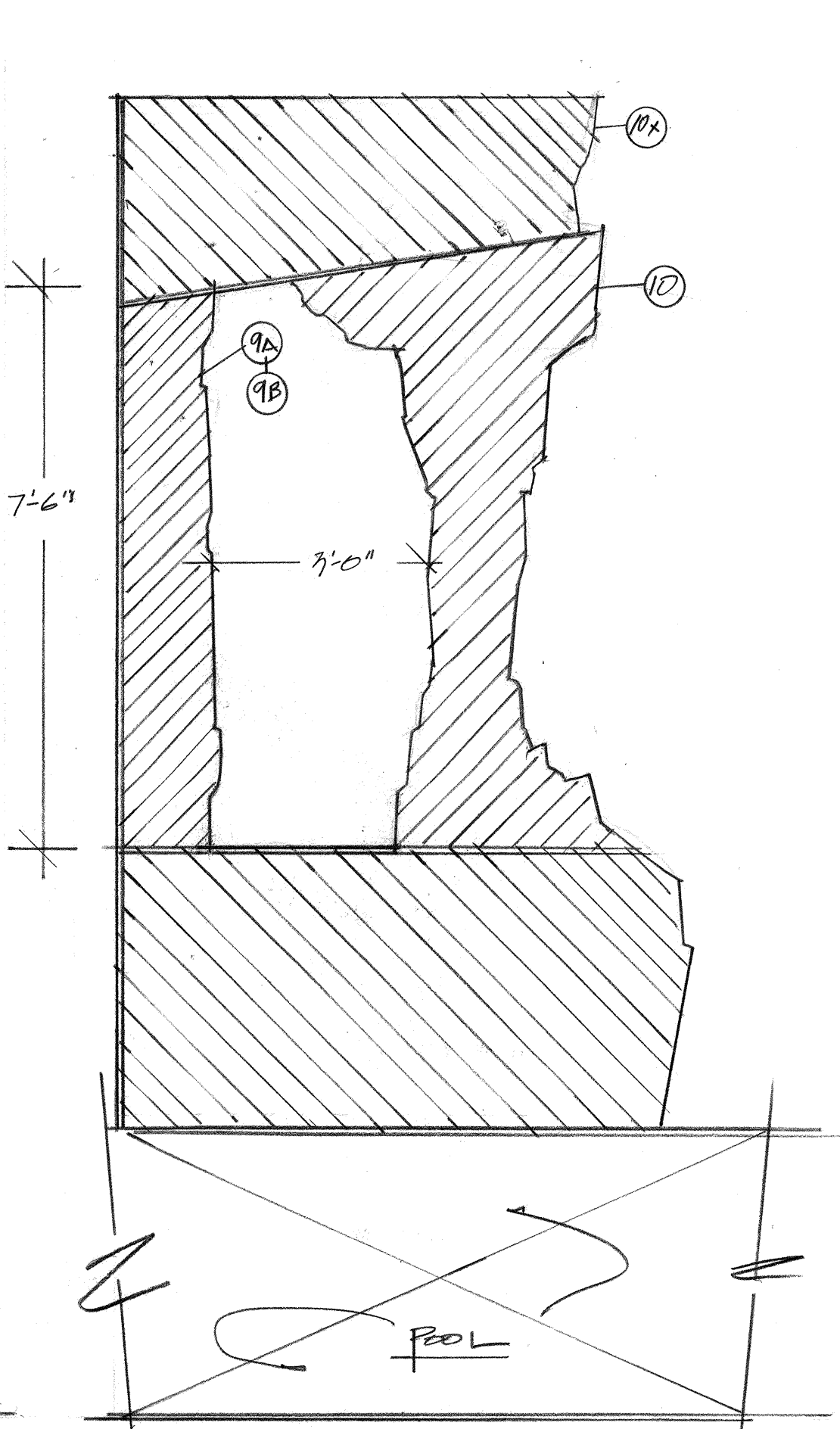
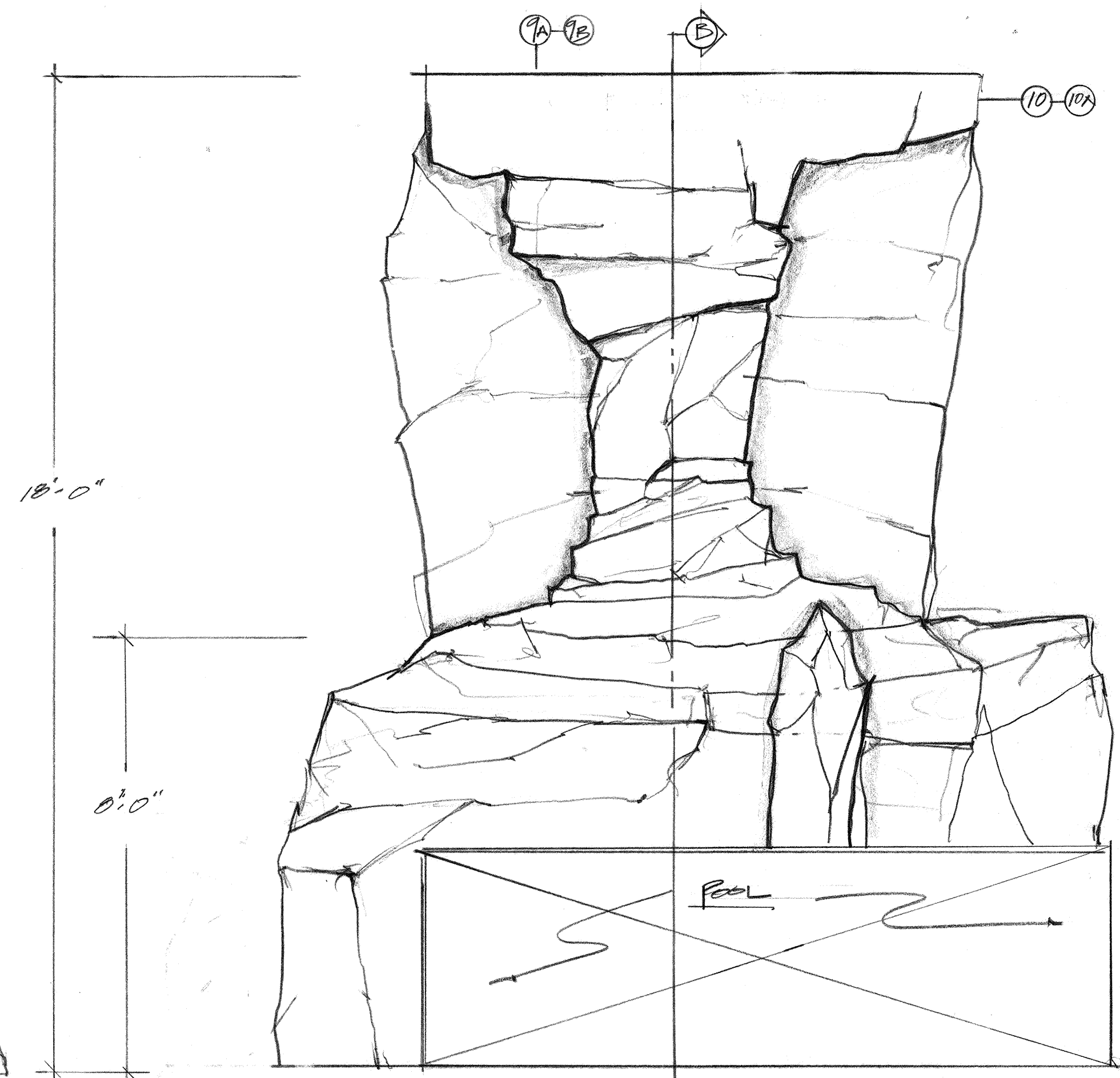
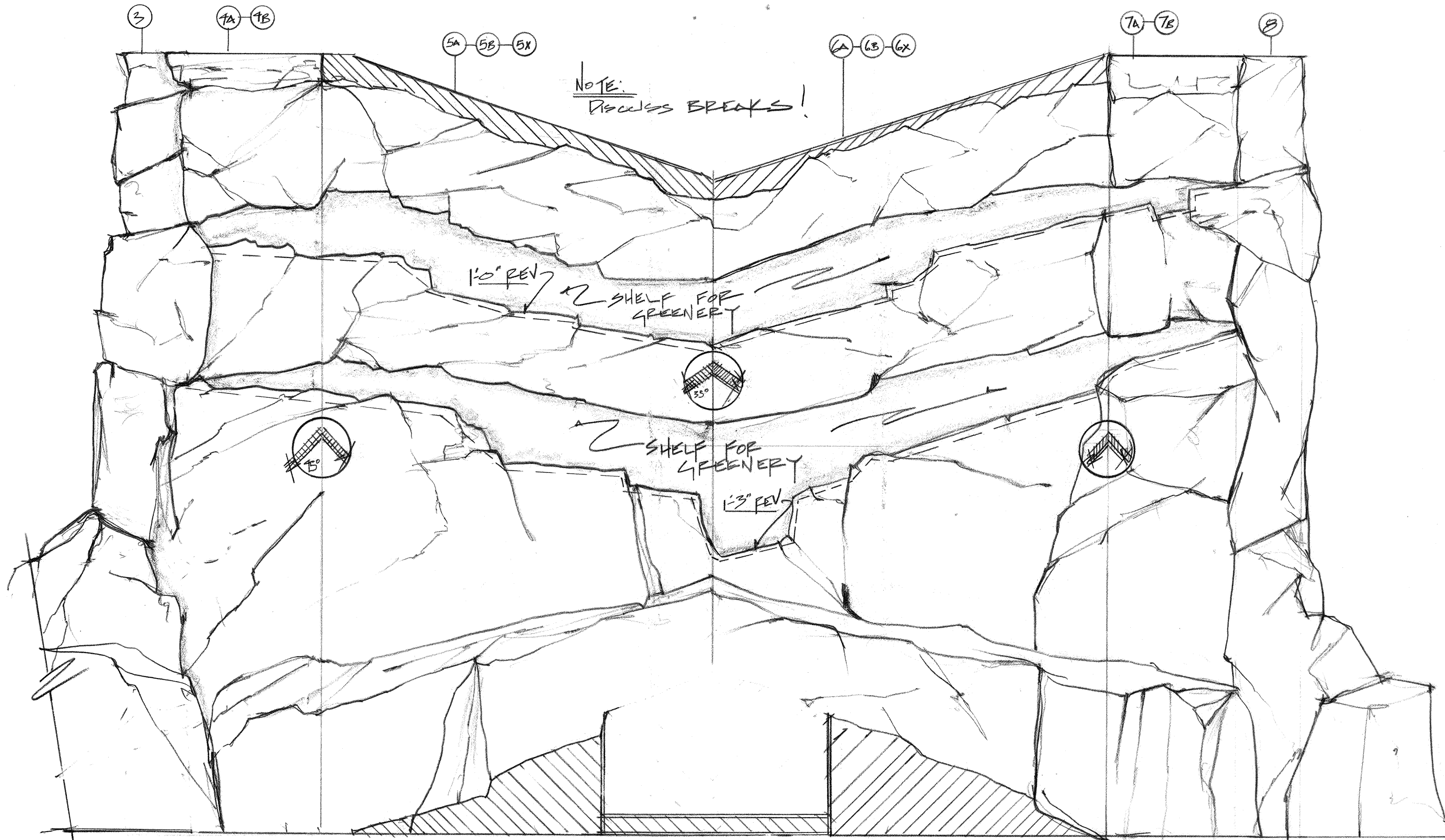
C C/C WALL
SCALE 1/2" = 1'-0"



- Notes:**
1. Build out where possible to save on Foam.
 2. Carve From layered blue foam and Spray Foam
 3. Wood re-sawn where possible.



| | | | |
|---|--|---------------------------------|------------------|
| UNION STAMP S.D. 1104 SCENIC DESIGNER | AMERICAN BROADCASTING COMPANIES abc | | DRAWING NO. 1 |
| | PROD: ALL MY CHILDREN | STUDIO TV 23 | OF 3 |
| | SET: WATERFALL | DEL. DATE: 9-18-02 (THIS PLATE) | |
| | SCALE: 1/2" = 1'-0" | PROD. DATE: 9-19-02 | |
| | DRAWN: 8-23-02 DATE: | DESIGNER: MOONEY | |
| | | DRAFTSMAN: FALTER | |



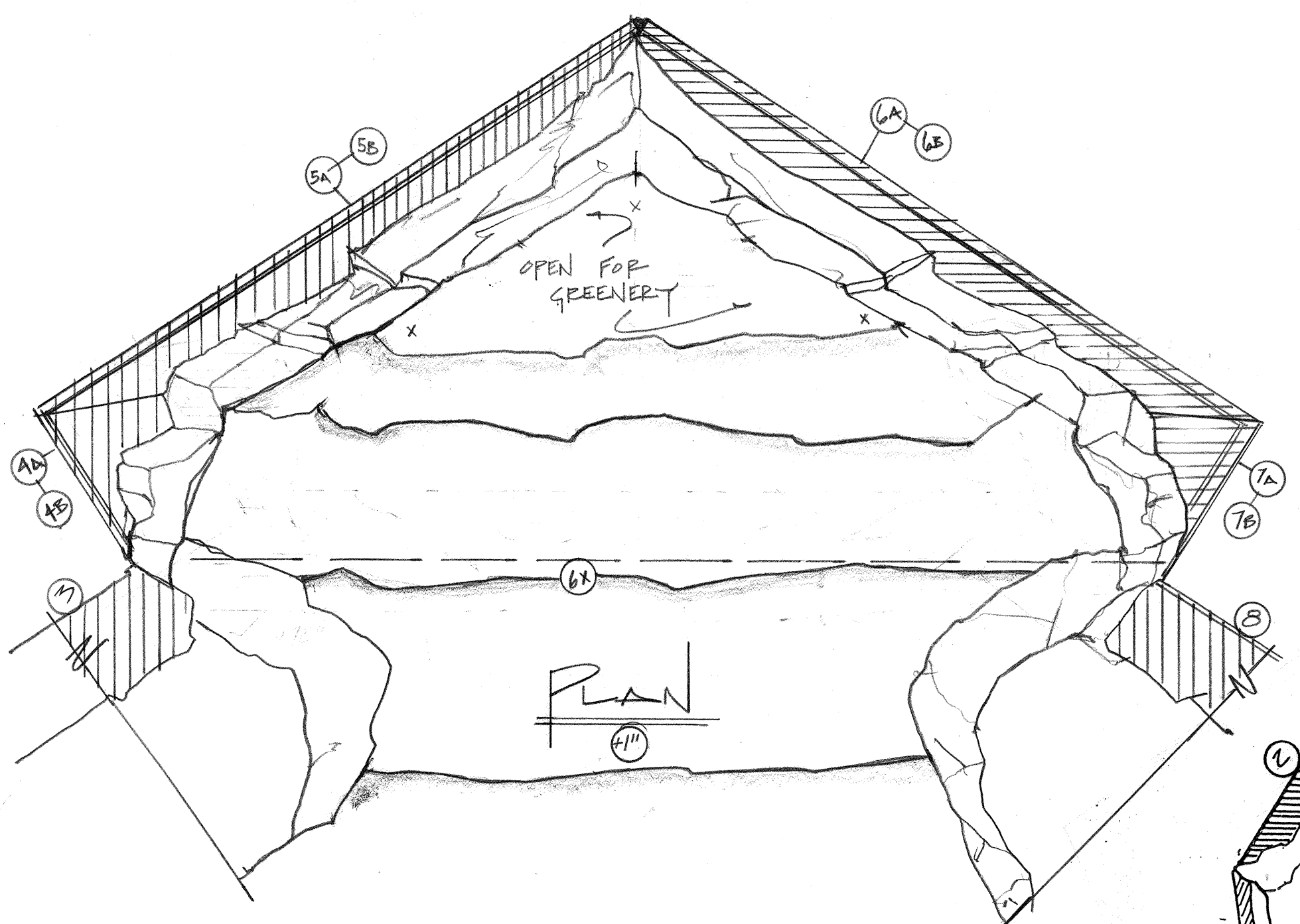
1'-6" 3'-0" 11'-6" C NTS! 11'-6" NTS! 3'-0" 1'-6"

BRIDGE BACKING - TRUE FLAT VIEW
SCALE 1/2"=1'-0"

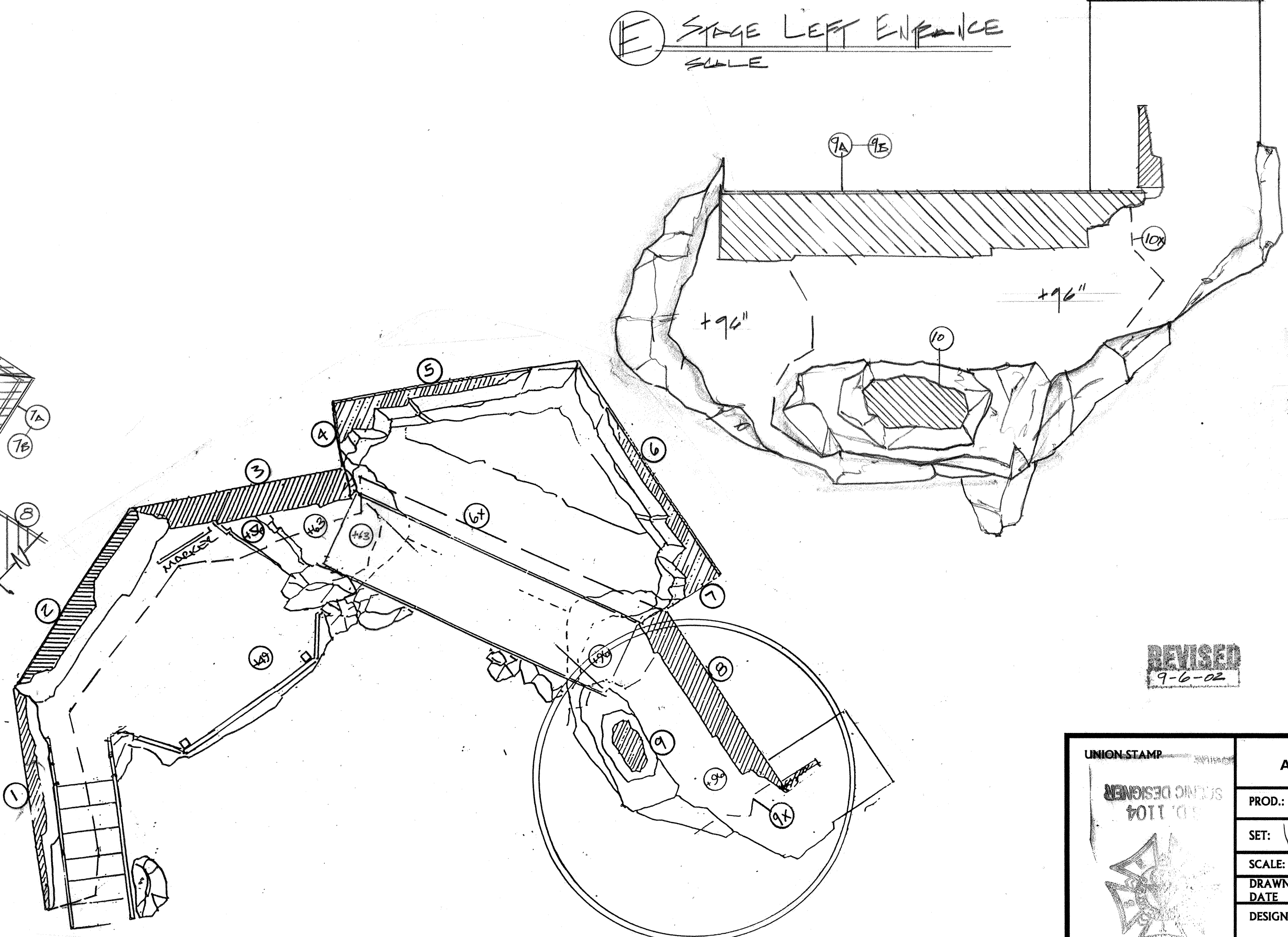
2'-9" 3'-0" 3'-0" 3'-6" 3'-0"

STAGE LEFT ENTRANCE
SCALE

1'-4" 3'-0" 1'-4" 2'-6"



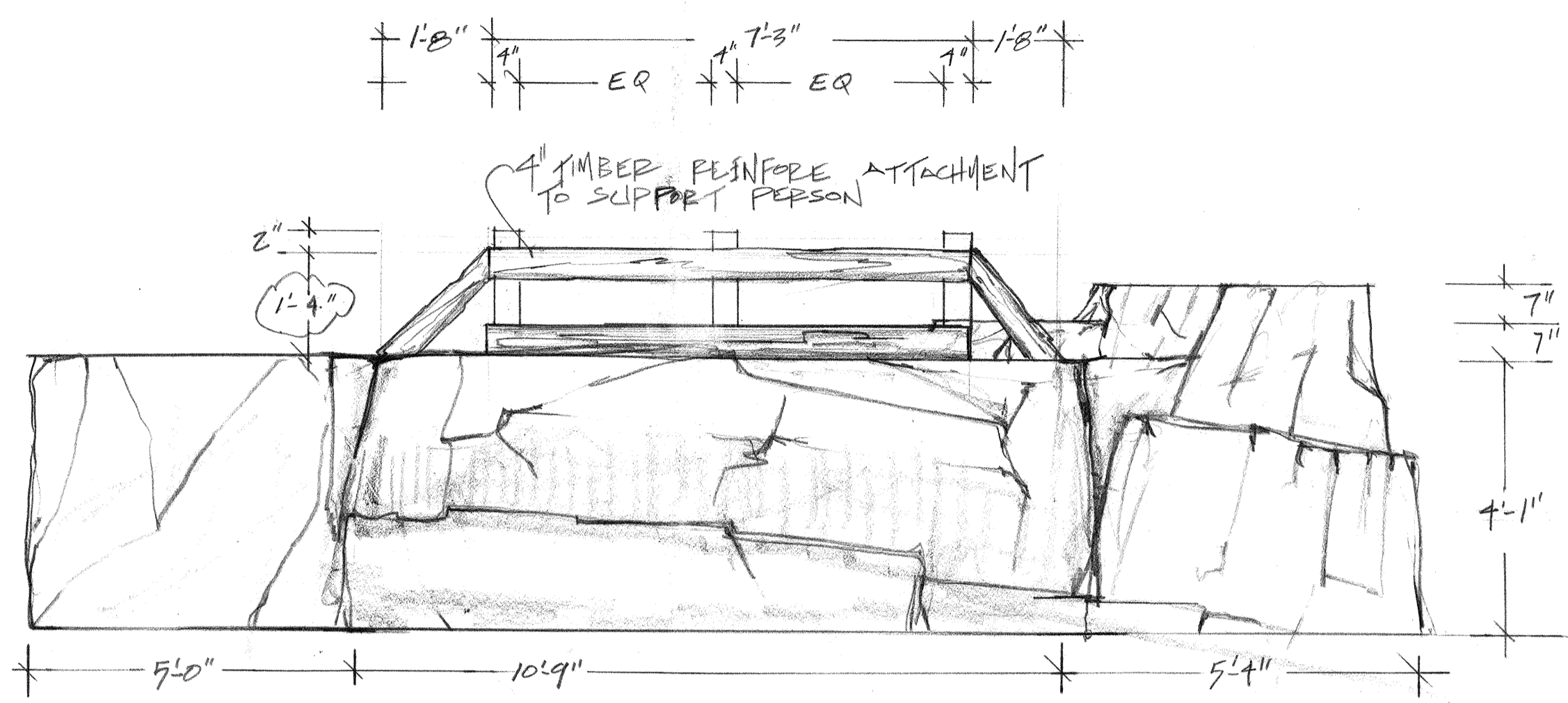
PLAN



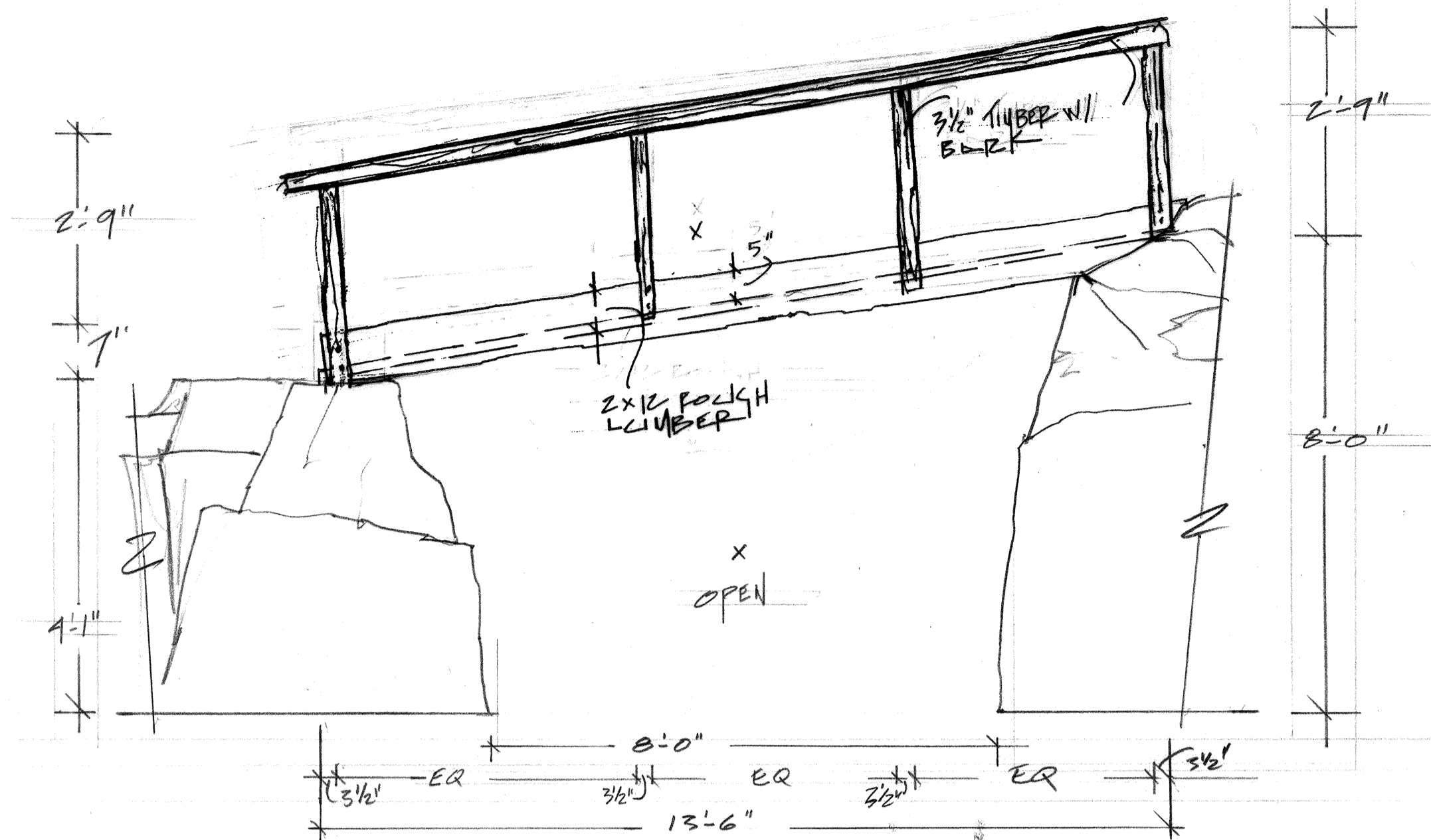
- Notes:**
1. Build out where possible to save on Foam.
 2. Carve From layered blue foam and Spray Foam
 3. Wood re-sawn where possible.

REVISED
9-6-02

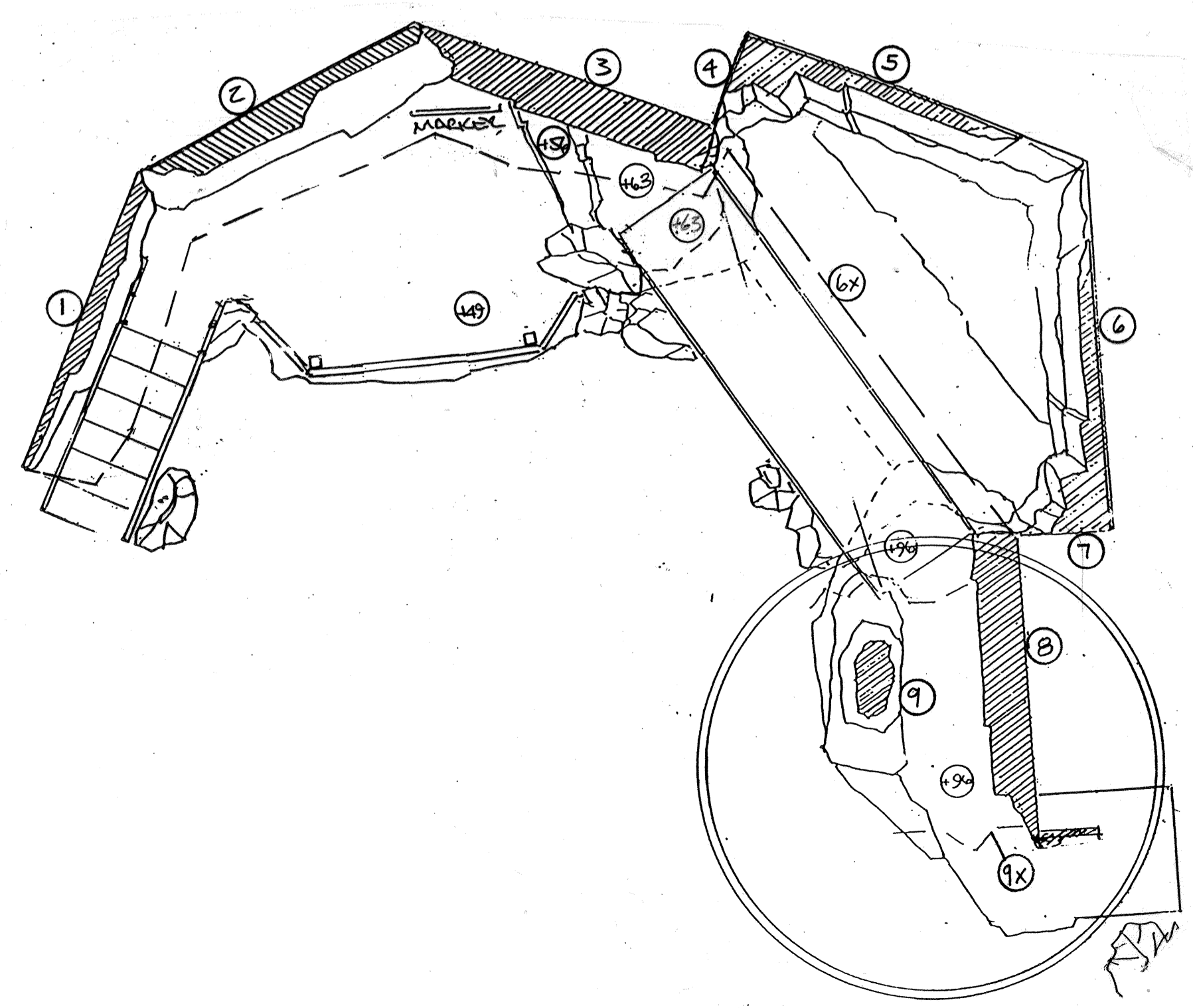
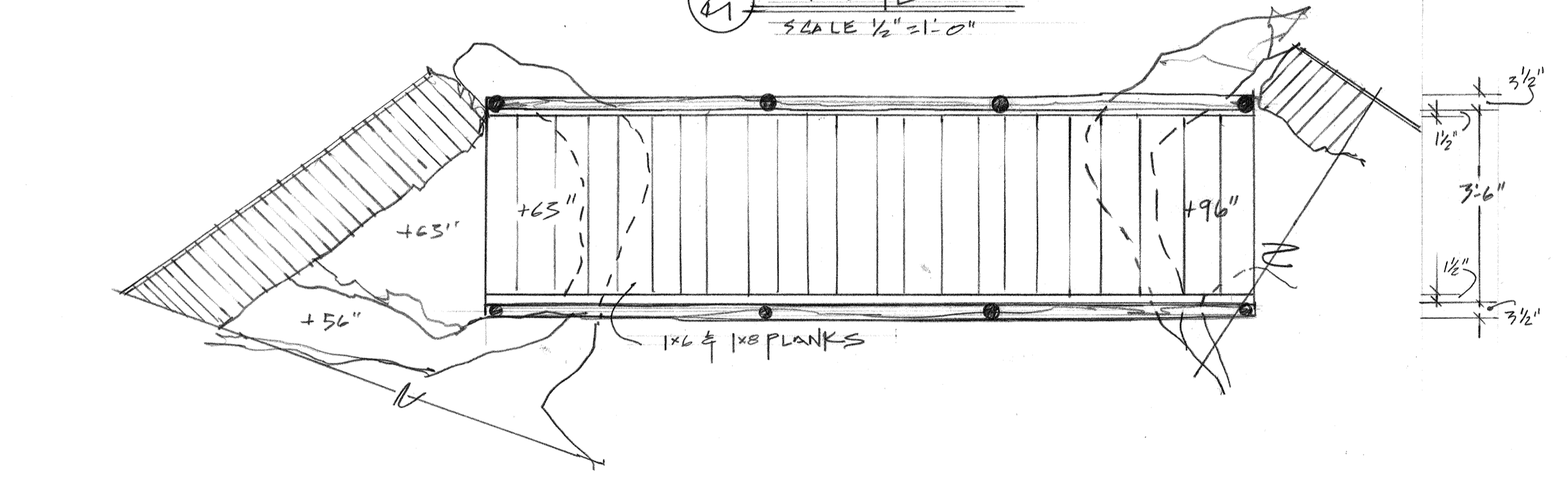
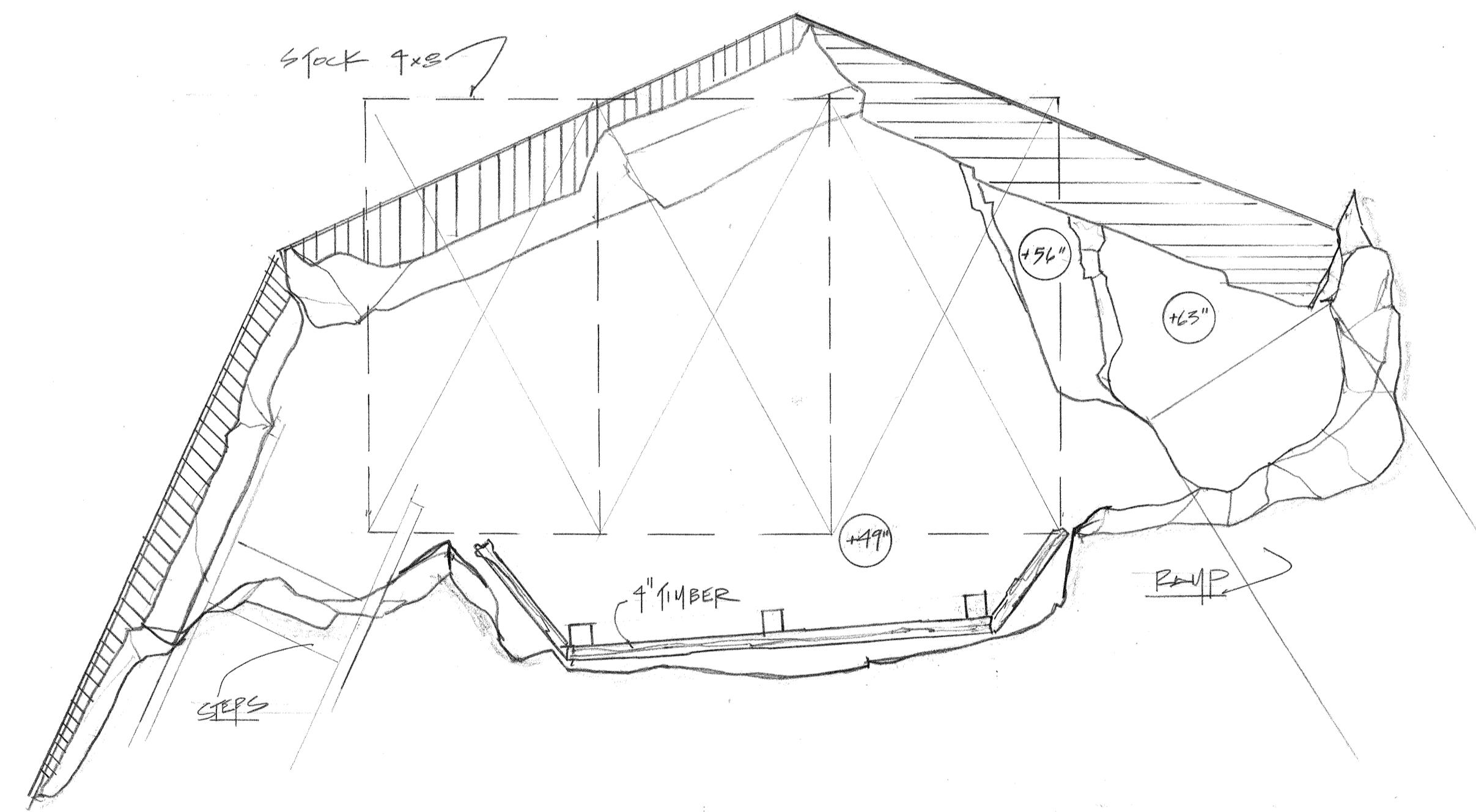
| | | | |
|---------------------------------------|-------------------------------------|----------------------------|-------------|
| UNION-STAMP STUDIO DESIGN BOITZ | AMERICAN BROADCASTING COMPANIES abc | | DRAWING NO. |
| | PROD: ALL MY CHILDREN | STUDIO TV | 2 |
| | SET: WATERFALL | | |
| | SCALE: 1/2"=1'-0" | DEL. DATE: 9-17-02 | OF 3 |
| | DRAWN: DATE | PROD. DATE: PERIOD 9-18-02 | |
| | DESIGNER: MOONEY | DRAFTSMAN: FETTER | |



F STAGE FIGHT PLATFORM
SCALE 1/2" = 1'-0"



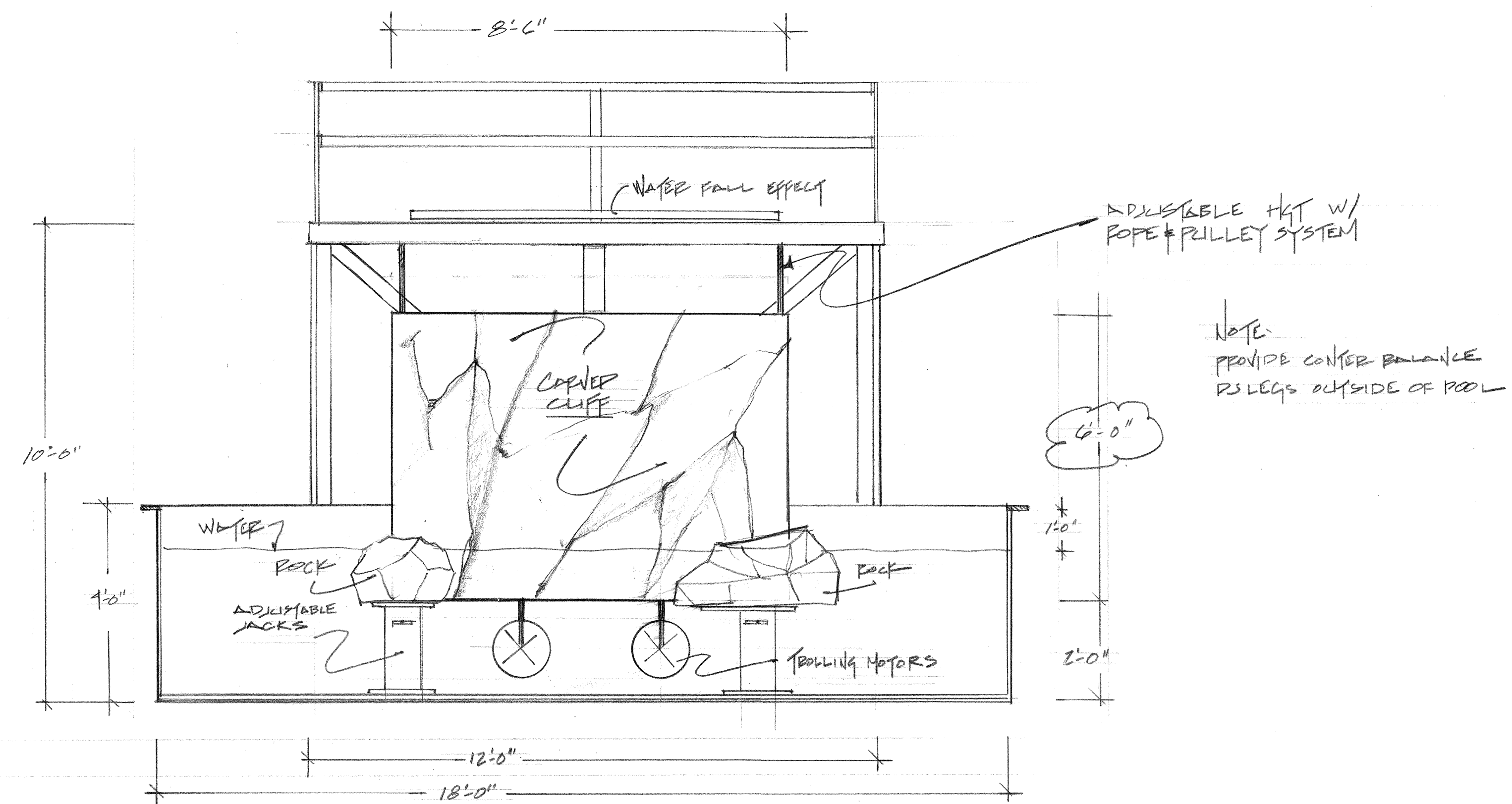
G BRIDGE
SCALE 1/2" = 1'-0"



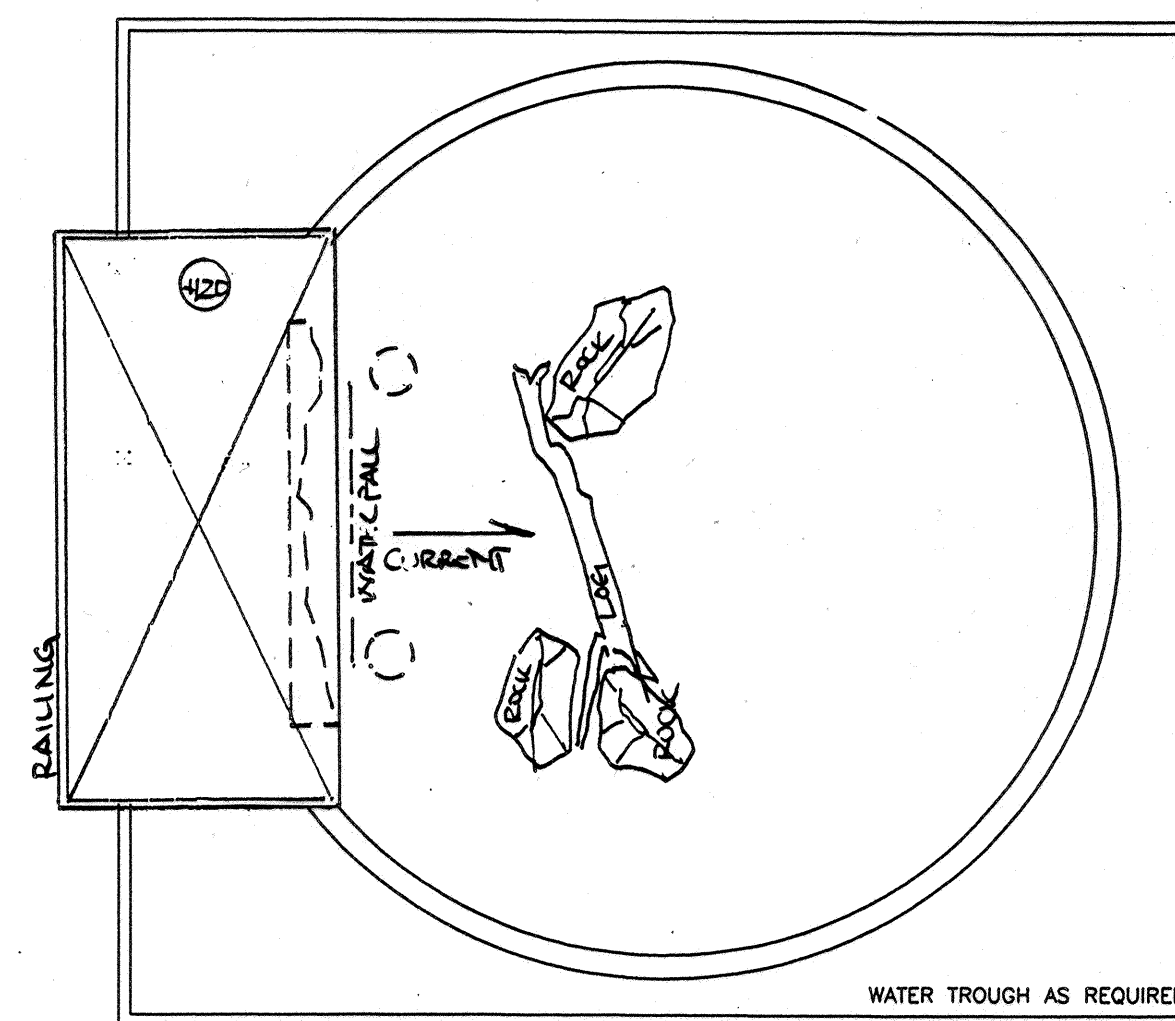
- Notes:**
1. Build out where possible to save on Foam.
 2. Carve From layered blue foam and Spray Foam
 3. Wood re-sawn where possible.

REVISED
8-28-02

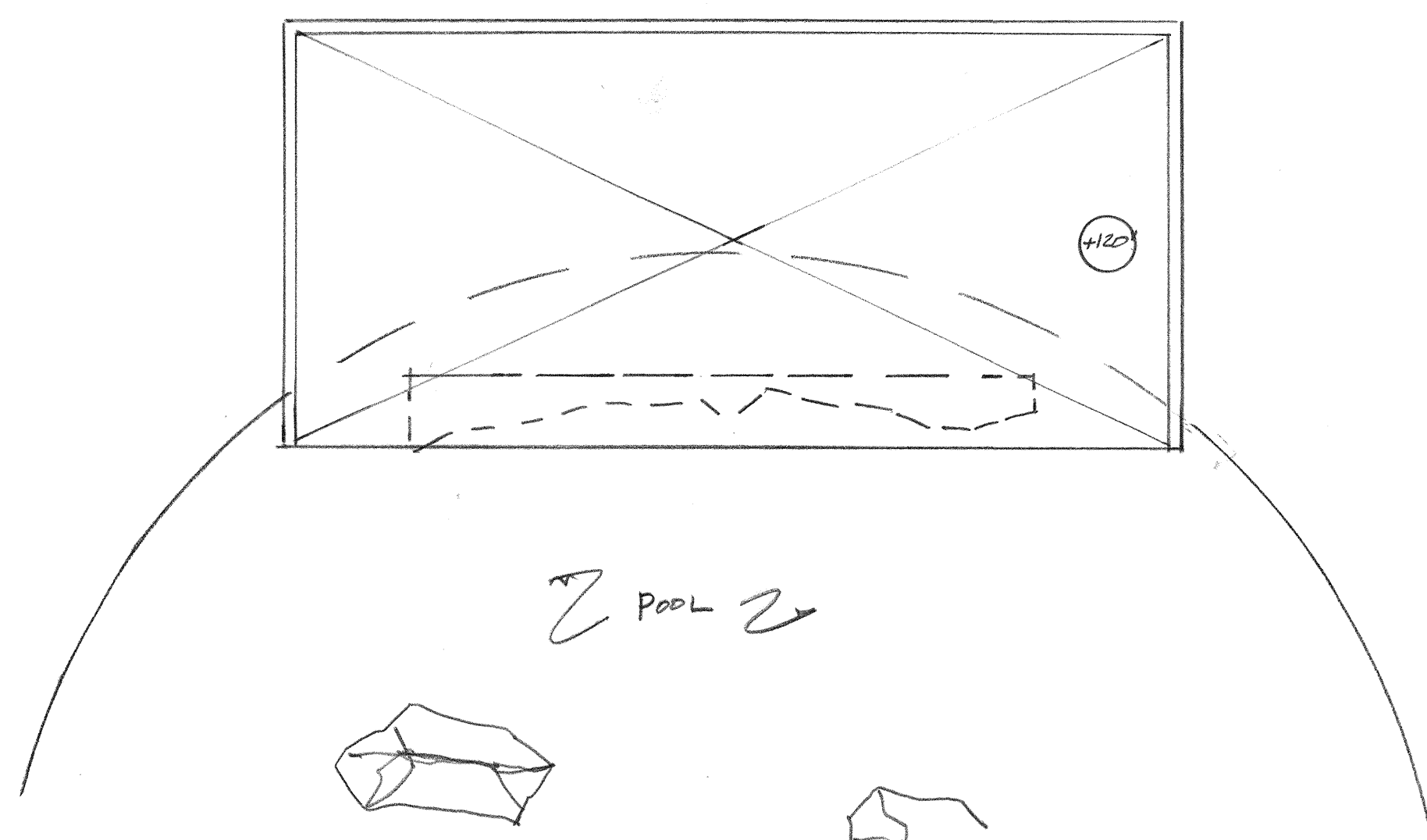
| | | | |
|---|--|---|-------------------------|
| UNION STAMP S.D. 1104 SCENIC DESIGNER | AMERICAN BROADCASTING COMPANIES abc | | DRAWING NO. |
| | PROD: <i>ALL MY CHILDREN</i> | STUDIO TV <i>23</i> | <i>3</i> OF <i>3</i> |
| | SET: <i>WATER PL</i> | | |
| | SCALE: 1/2" = 1'-0" DRAWN: <i>EJ/02</i> DATE: <i>8/10/02</i> | DEL. DATE: <i>9-18-02</i> PROD. DATE: <i>9-18-02</i> | |
| DESIGNER: <i>MOONEY</i> | DRAFTSMAN: <i>FARBER</i> | | |



NOTE:
 PROVIDE CENTER BALANCE
 AS LEGS OUTSIDE OF POOL



WATER POOL
 18/0 DIA. DOUBLE-LINED POOL
 W/ REINFORCED FRAME/SURROUND



REVISED
 9-6-02

| | | | |
|--|--|---------------------|-------------|
| UNION STAMP S.D. 1104 SCENIC DESIGNER SIGNATURE: <i>[Signature]</i> | AMERICAN BROADCASTING COMPANIES abc | | DRAWING NO. |
| | PROD.: ALL MY CHILDREN | STUDIO 23 TV | OF 1 |
| | SET: WATERFALL POOL | | |
| | SCALE: 1/2" = 1'-0" | DEL. DATE: 9/18/02 | |
| | DRAWN: 9/23/02 | PROD. DATE: 9/19/02 | |
| DESIGNER: E. BOONEY | DRAFTSMAN: J. FAJER | | |