

ZURICH BANK LAYOUT
SCALE: 3/16" = 1'-0"

Ashland Place

Hanson Place



TRUE SIZE SCALE CHECK
0 1" 2" 3"

01_241-247_INT BANK_Elevations_One Hanson Place.vwp



Exec Producer: NIKKI TOSCANO
Line Producer: BILL SELL
Address: STEINER STUDIO 15 WASHINGTON AVE
Prod. Designer: CURT BEECH
Set Decorator: SUSAN MARSHAL

Producer: JERRY KUPFER
UPM: BILL SELL
Art Director: MARCI MUDD
Const. Coordinator: NILES NORTON

Set Name & Description:
ZURICH BANK LAYOUT

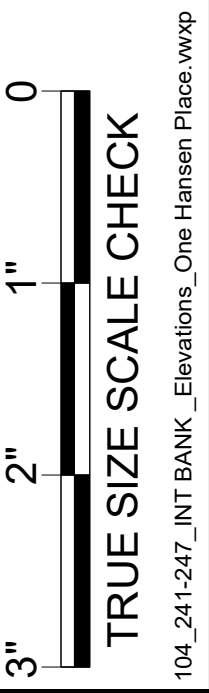
Director: VARIOUS
Location: 1 HANSON PLACE, NY 11243

Episode: 104
Set #: 244
Scale: 3/16"=1'-0"

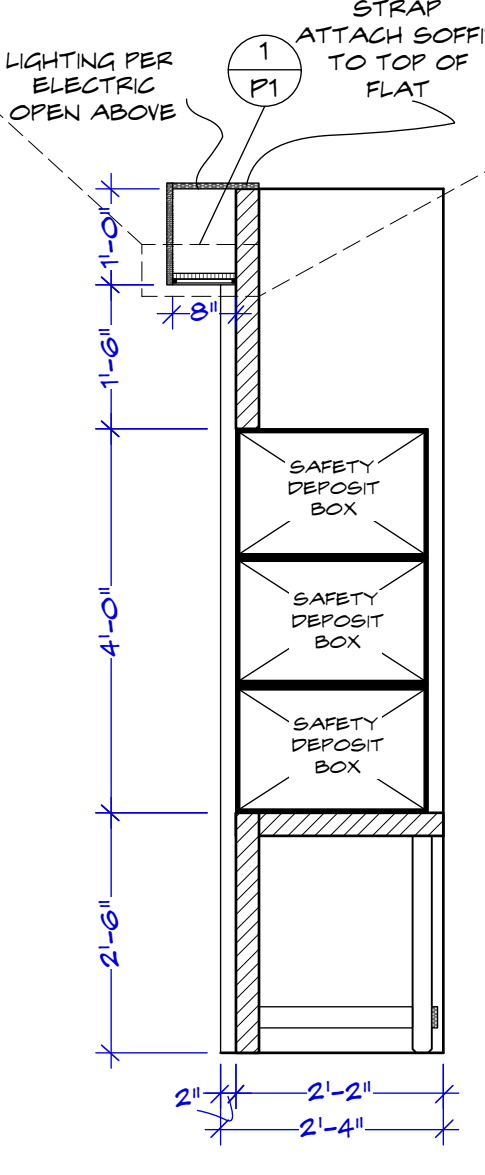
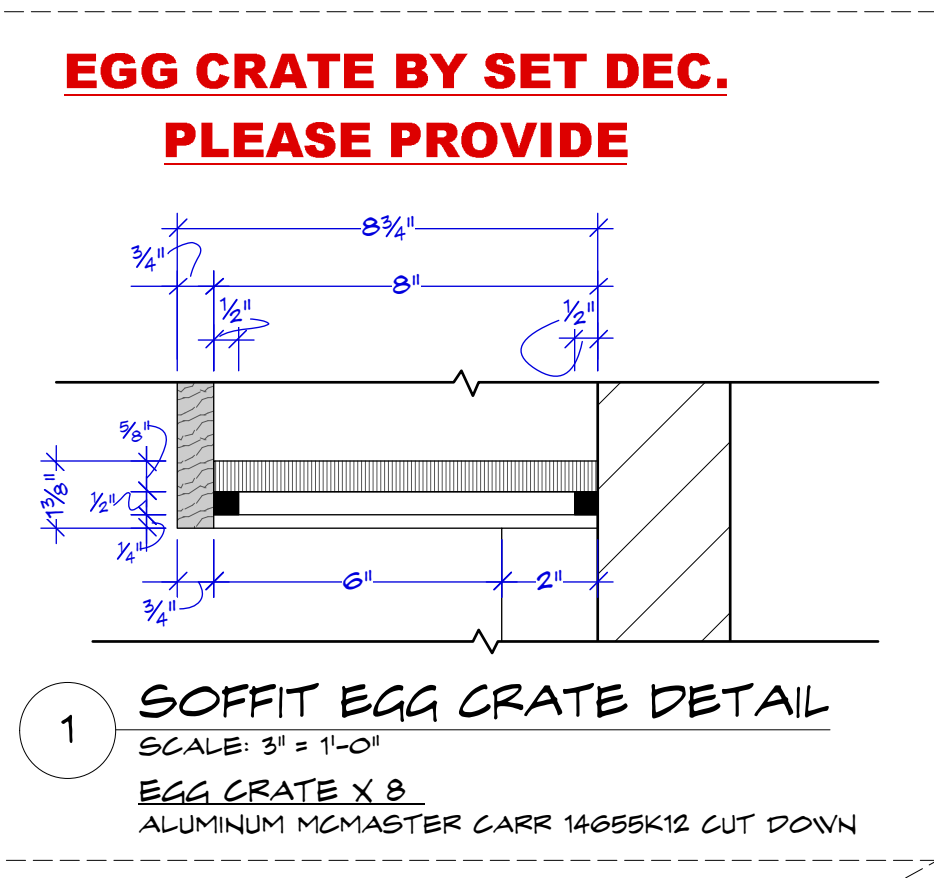
RELEASE 05/10/2019

Drawing Date: 5/10/2019
Drawn by: MARTIN FAHRER

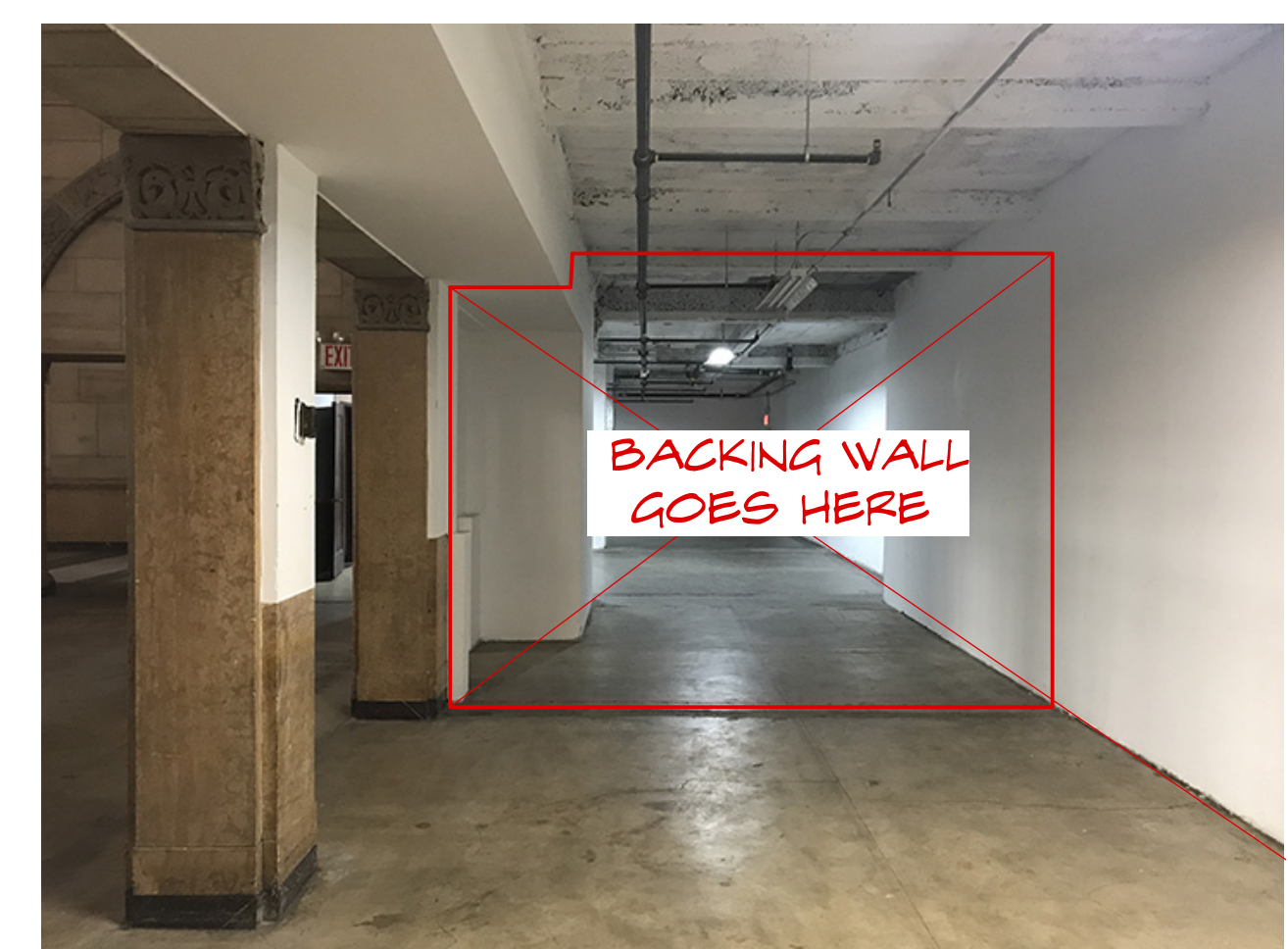
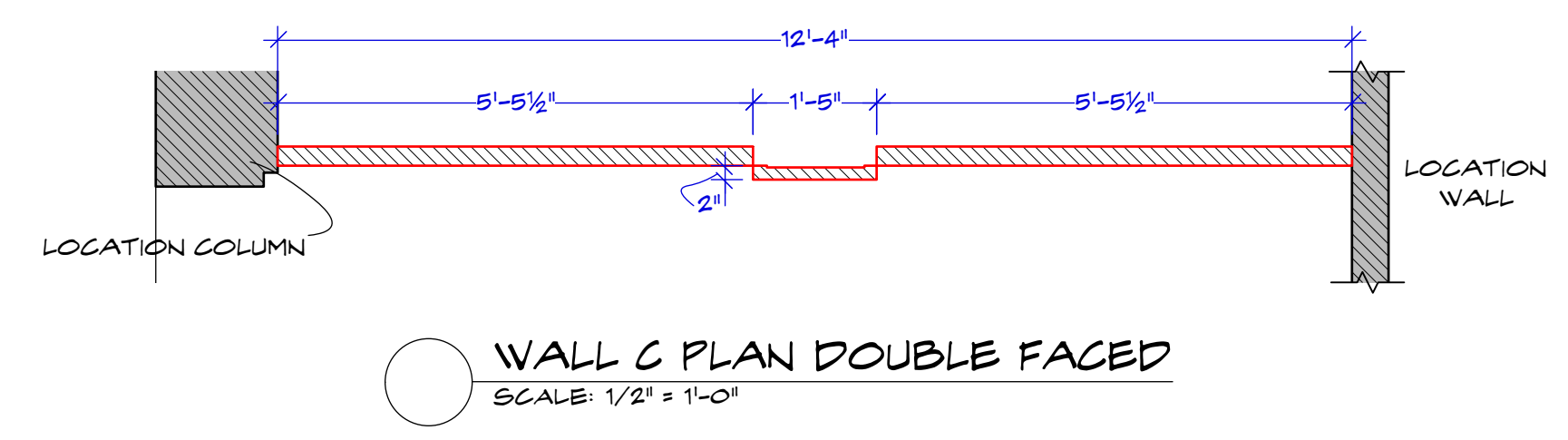
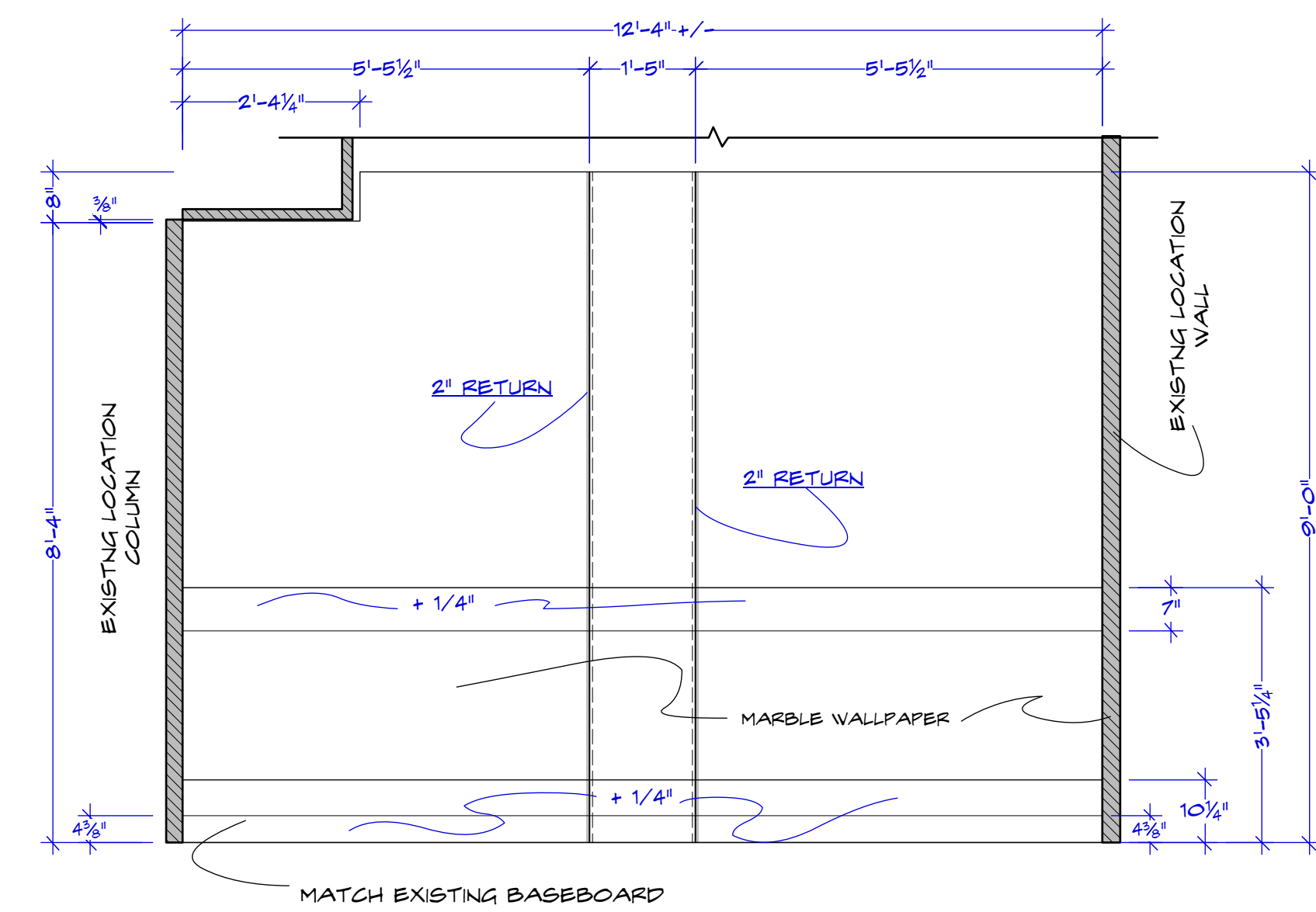
Sheet Date: 05/13/2019
Sheet No.: 235-245



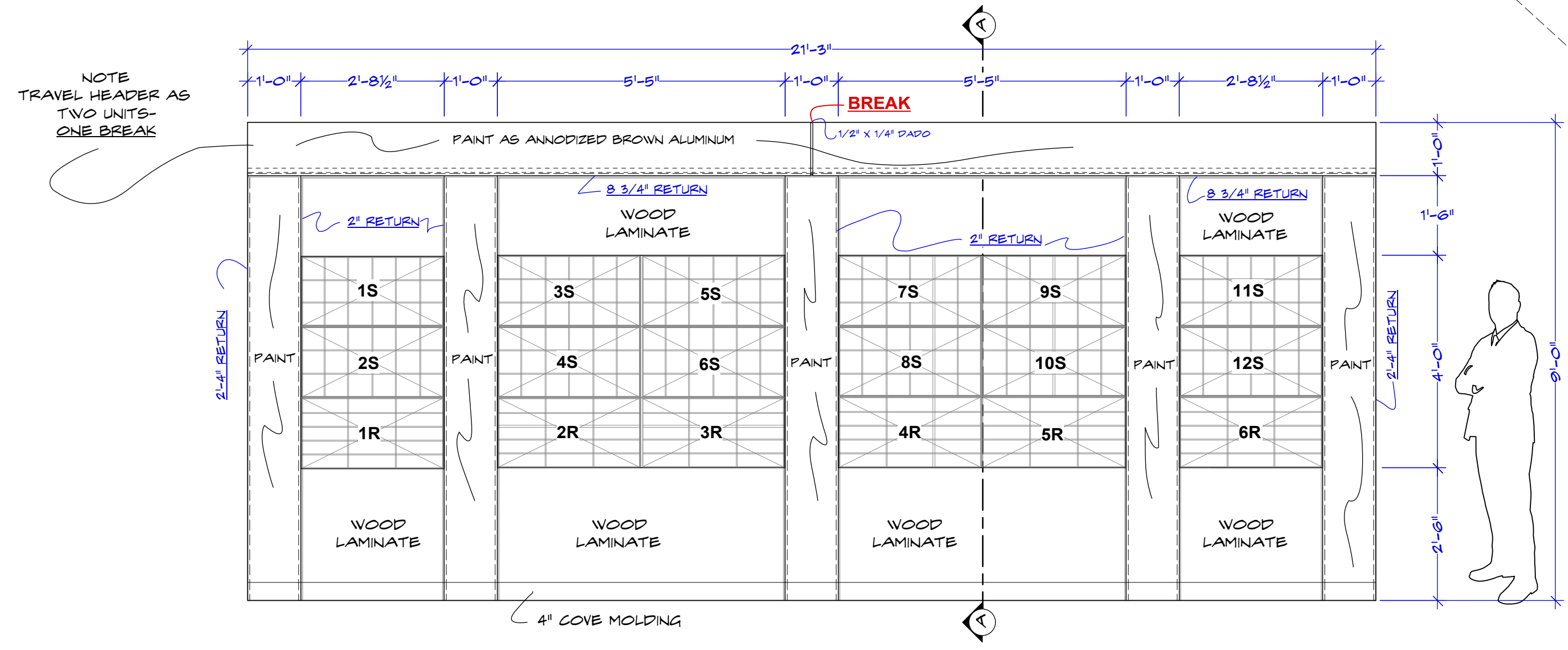
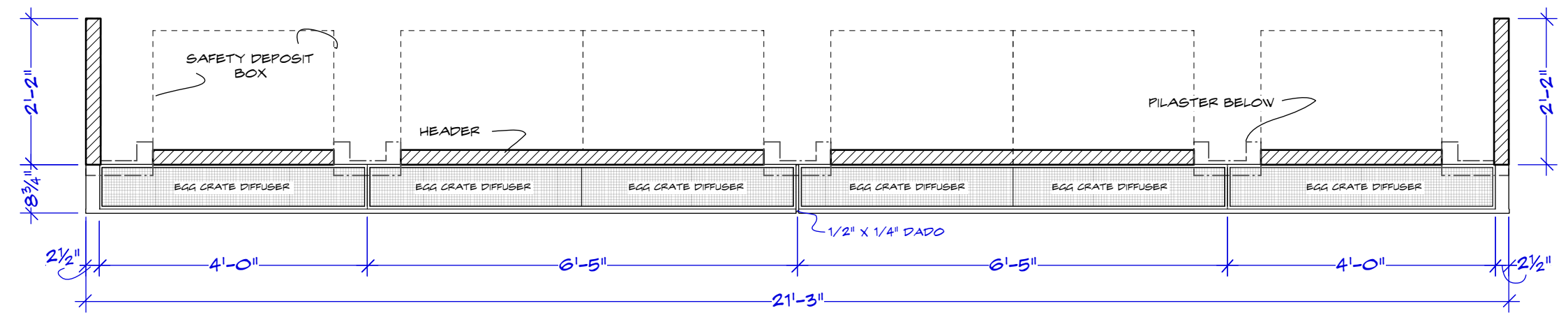
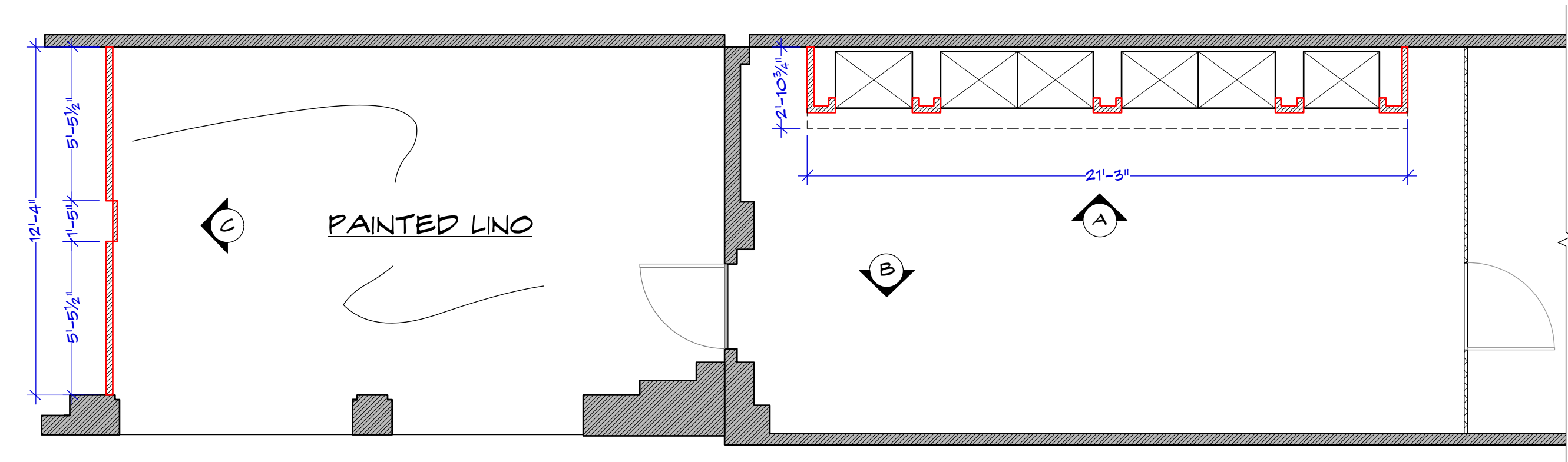
SOFFIT REFERENCE IMAGE



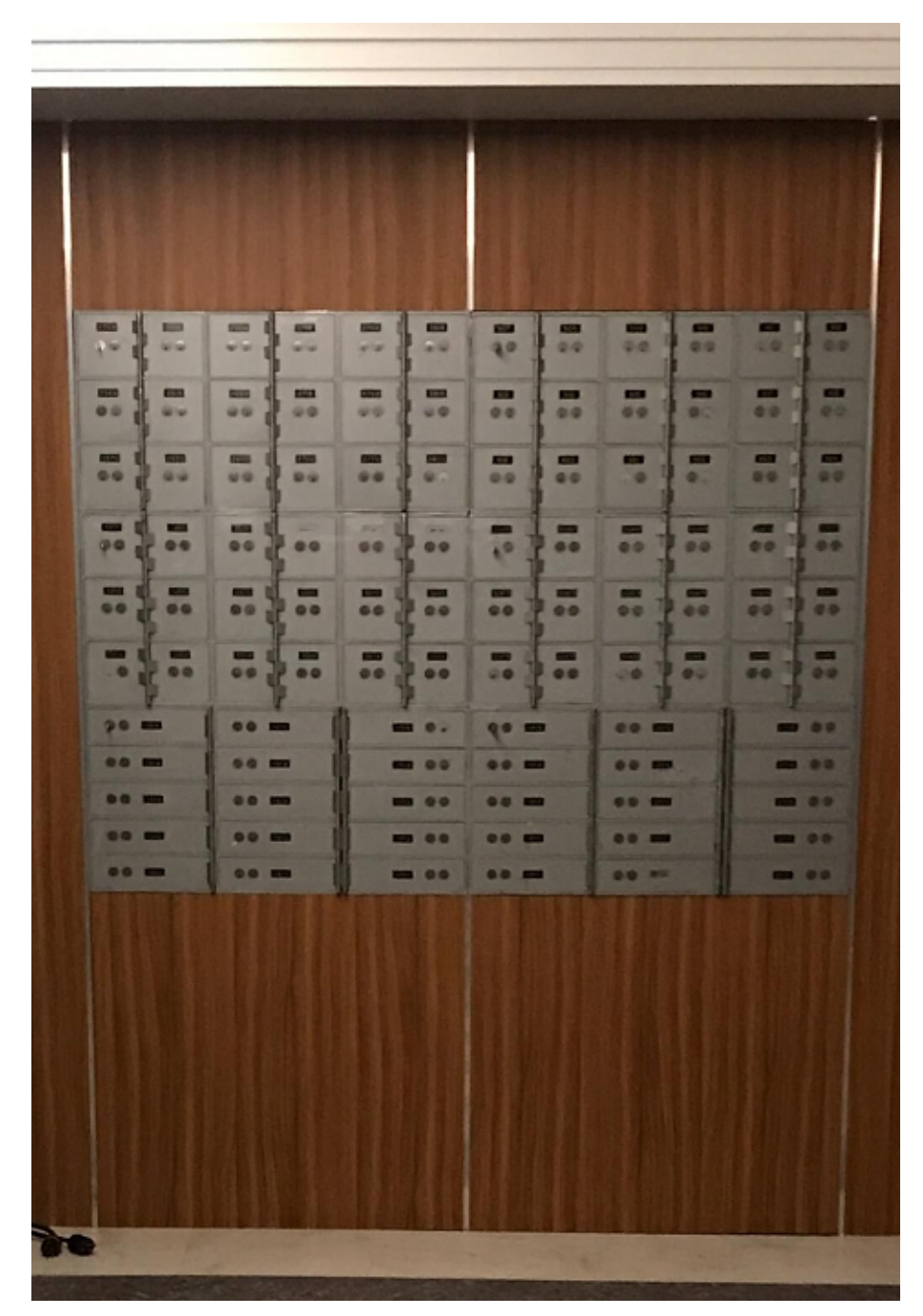
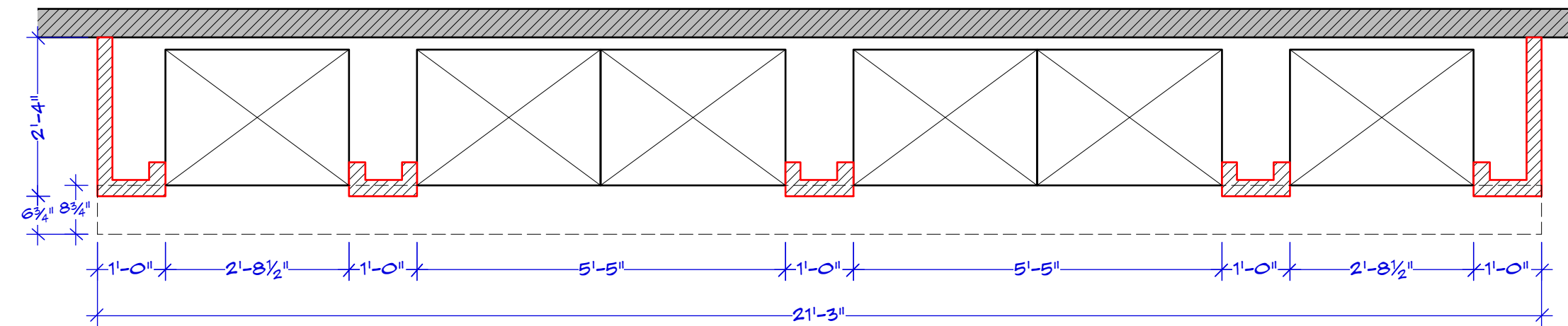
VAINSCOAT AND BASEBOARD REFERENCE



BACKING WALL REFERENCE



KEY:
 #S = SQUARE BOX SAFETY DEPOSIT 12 UNITS
 #R = RECTANGULAR BOX 8 UNITS



SAFETY DEPOSIT BOX REFERENCE

NOTE TRAVEL HEADER AS TWO UNITS - ONE BREAK

BREAK

1 P1

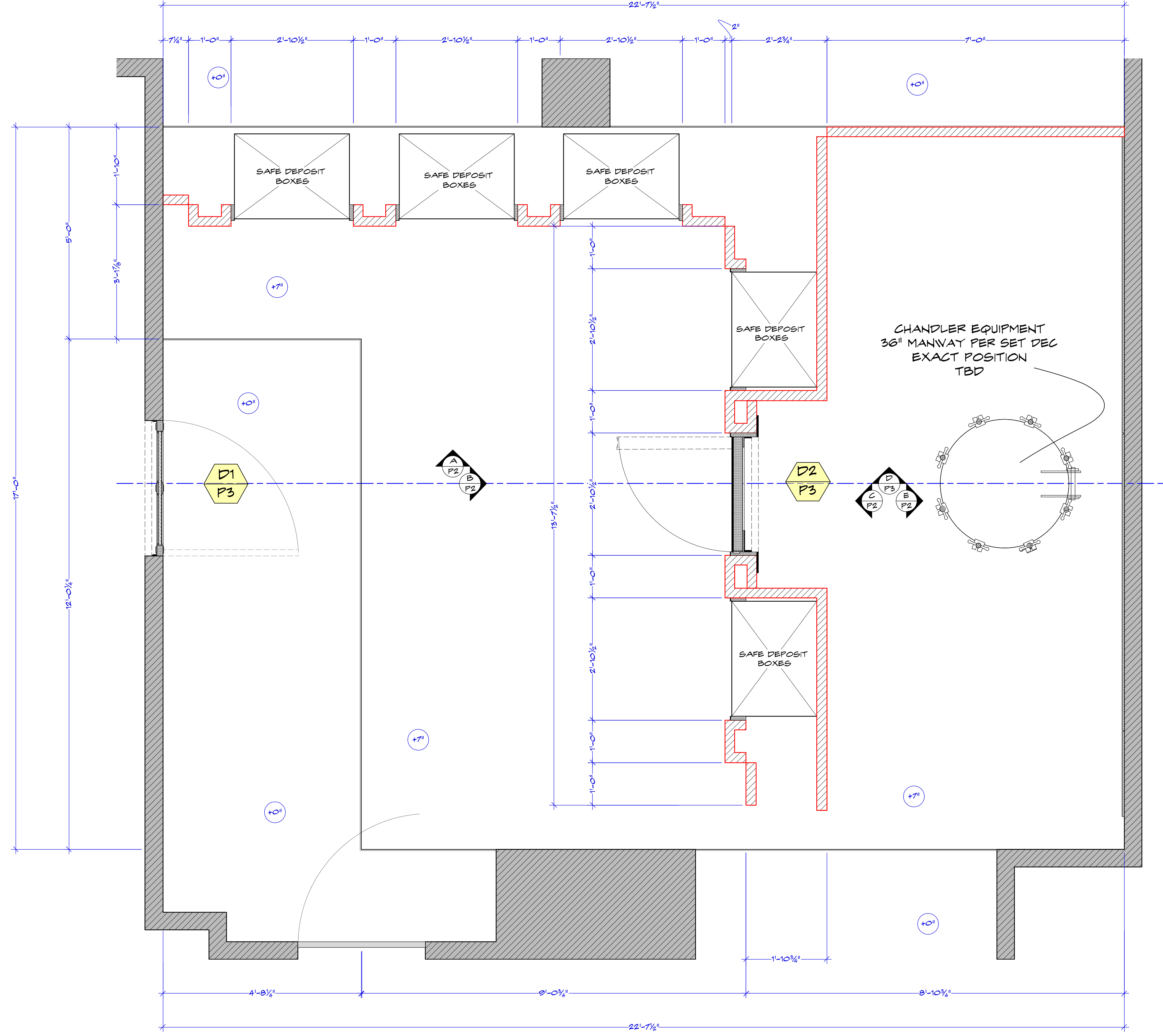
10

BACKING WALL GOES HERE

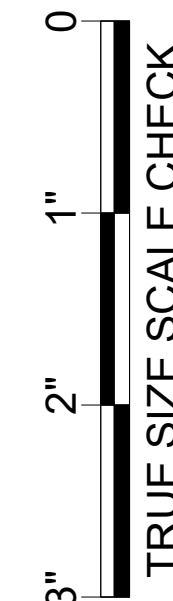
PAINTED LINO

REFERENCE PLAN SCALE: 1/4" = 1'-0"

DOOR SCHEDULE		
DOOR NUMBER	D1	D2
QTY	1	1
TYPE	ENTRANCE	ENTRANCE
ELEVATION		
DOOR OPENING SIZE	32 1/4 X 82	32 1/2 X 80
DOOR MATERIAL	WOOD	WOOD
FINISH	STAIN	PAIN AS METAL
DETAIL SHEET	3	3
HARDWARE STYLE		
ENTRY		
PRIVACY		
PASSAGE	X	X
DUMMY		
HARDWARE FINISH	BRASS	PER SET DEC
HINGE QTY	3	HIDDEN HINGE
THRESHOLD	NO	



TECHNICAL PLAN
SCALE: 3/4" = 1'-0"

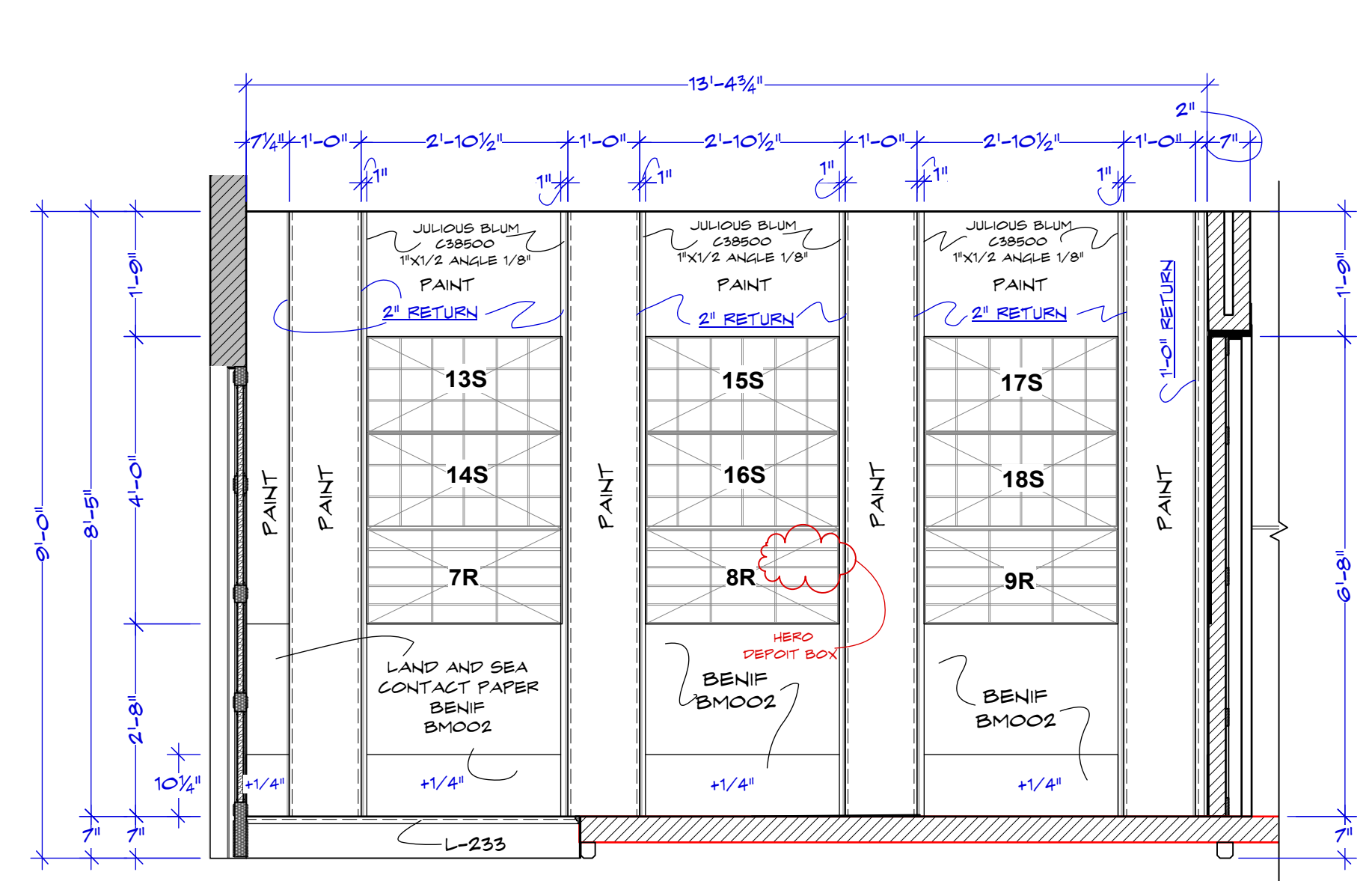


TRUE SIZE SCALE CHECK
104-241-247_INT BANK_Elevations_One Hanson Place.wwp



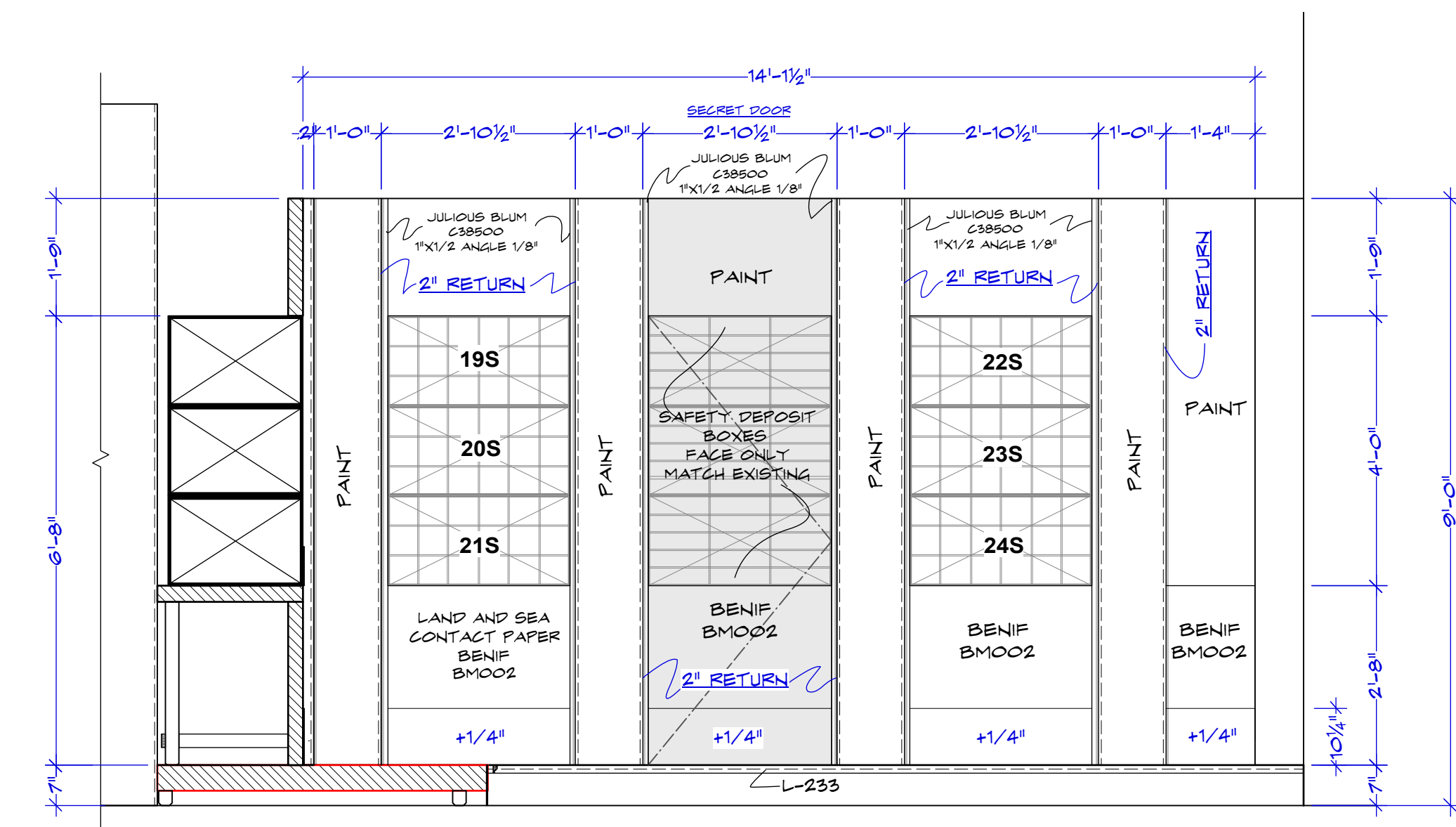
RELEASE 05/06/2019

Episode:	104	Set #:	244	Scale:	NOTED
Set Name & Description:	ZURICH BANK SECRET ROOM TECHNICAL PLAN				
Director:	VARIOUS				
Location:	1 HANSON PLACE, NY 11243				
Exec Producer:	NIKKI TOSCANO	Producer:	JERRY KUPFER	Line Producer:	BILL SELL
Address:	STEINER STUDIO 16 WASHINGTON AVE	UPM:	BILL SELL	Art Director:	MARCI MUDD
Prod. Designer:	CURT BEECH	Const. Coordinator:	NILES NORTON		
Set Decorator:	SUSAN MARSHAL				
Drawing Date:	5/6/2019	Drawn by:	MARTIN FAHRER	Sheet No.:	244-01
Shoot Date:	05/13/2019				

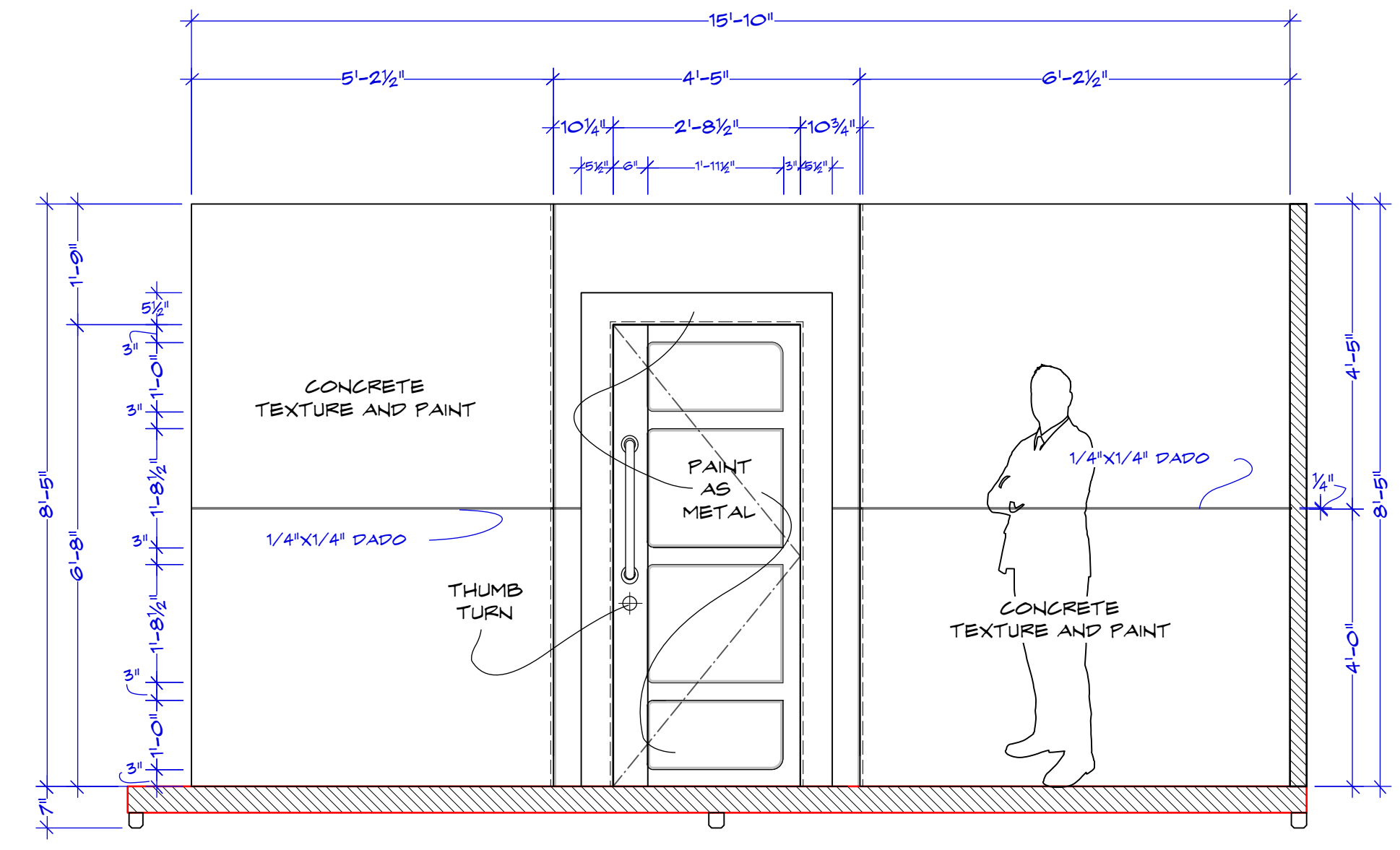


A SAFETY DEPOSIT BOX WALL A
 SCALE: 1/2" = 1'-0"

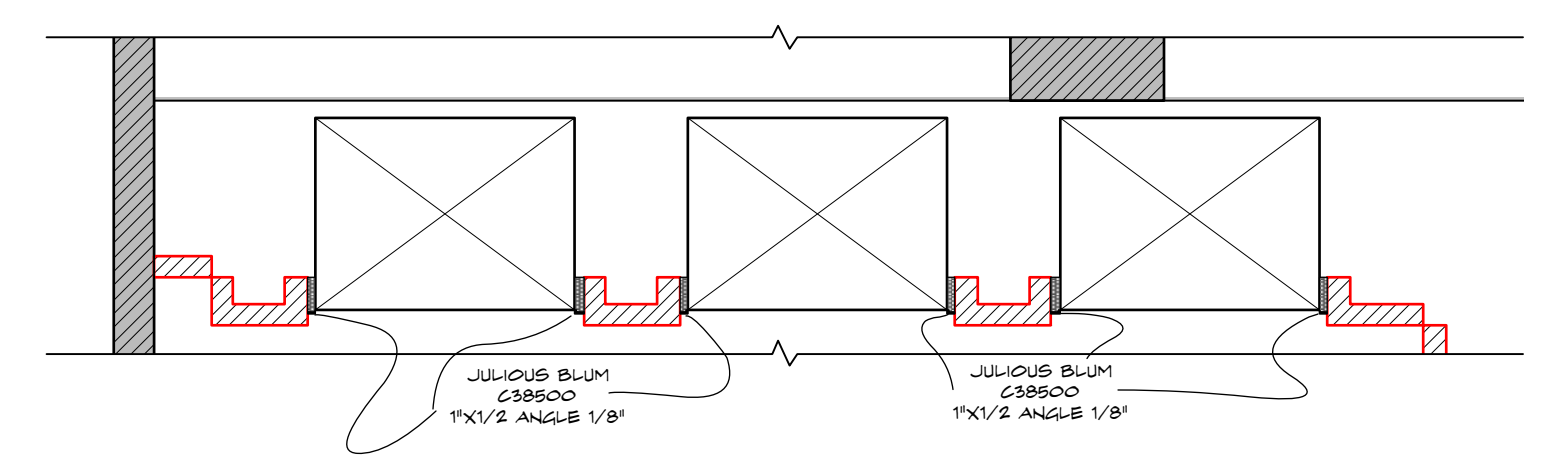
KEY:
 #S = SQUARE BOX SAFETY DEPOSIT 12 UNITS
 #R = RECTANGULAR BOX 3 UNITS



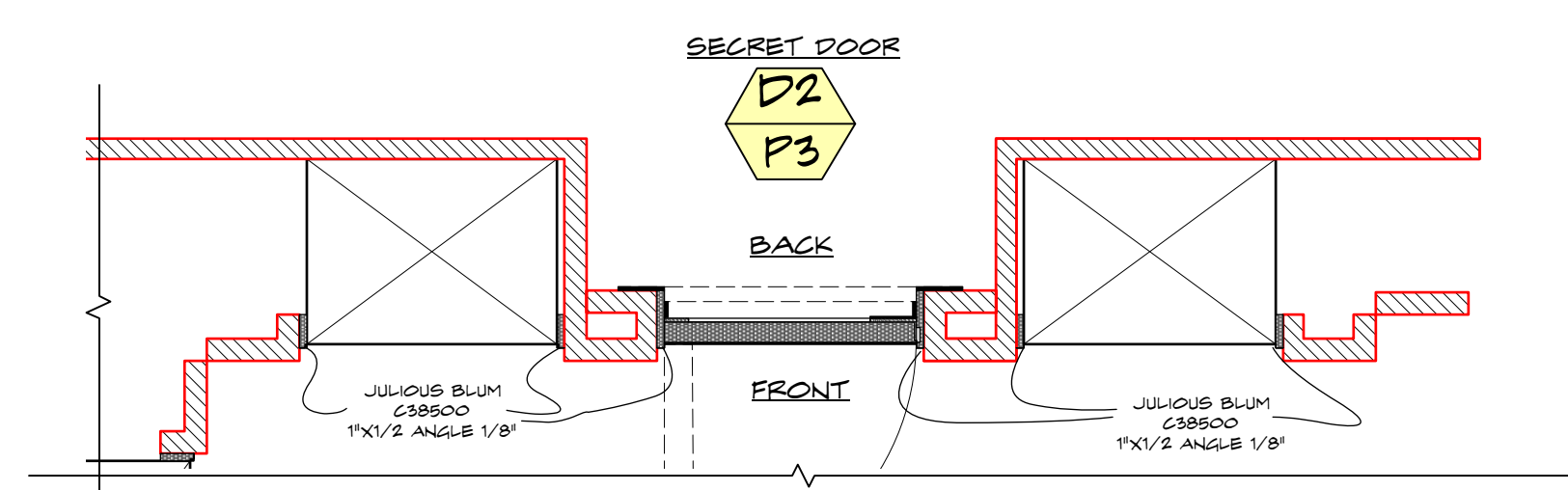
B SAFE DEPOSIT BOX B
 SCALE: 1/2" = 1'-0"



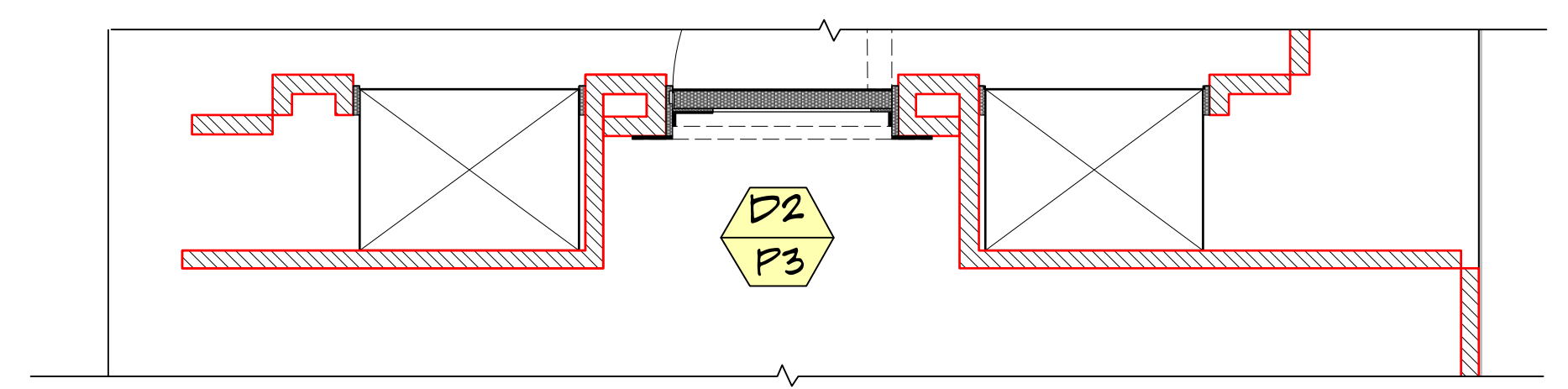
C HIDDEN CHAMBER VIEW C
 SCALE: 1/2" = 1'-0"



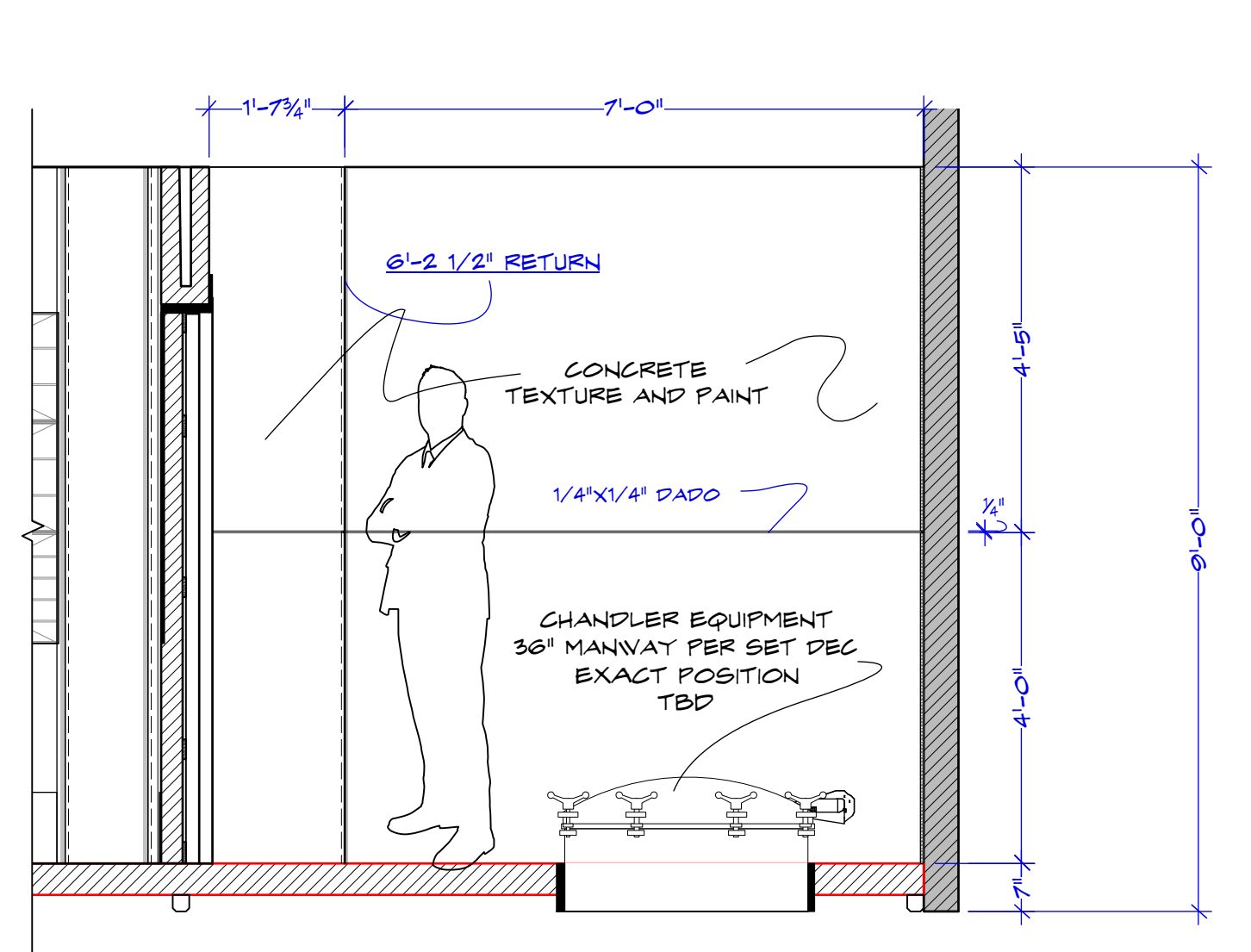
WALL A PLAN
 SCALE: 1/2" = 1'-0"



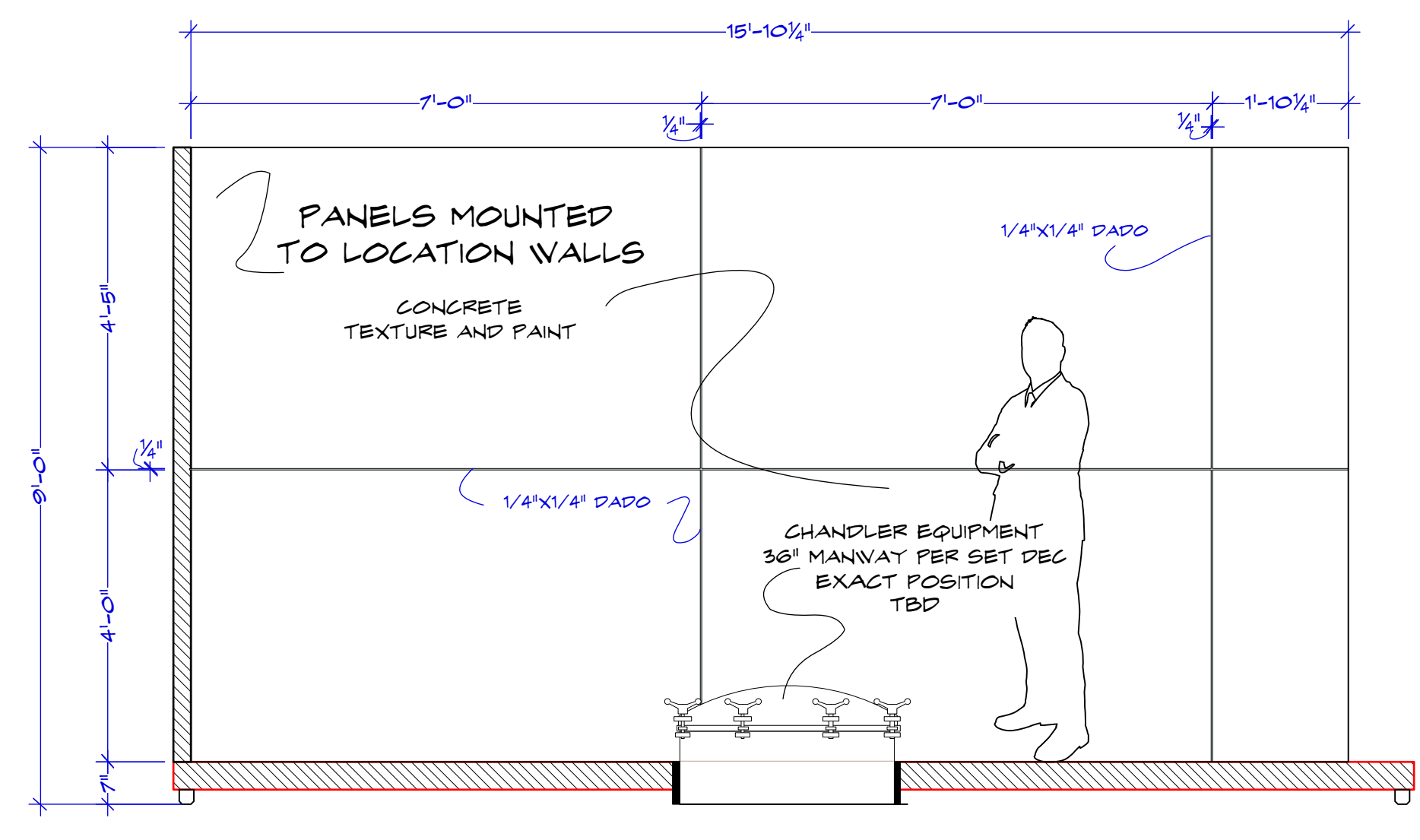
WALL B PLAN
 SCALE: 1/2" = 1'-0"



HIDDEN CHAMBER C PLAN
 SCALE: 1/2" = 1'-0"



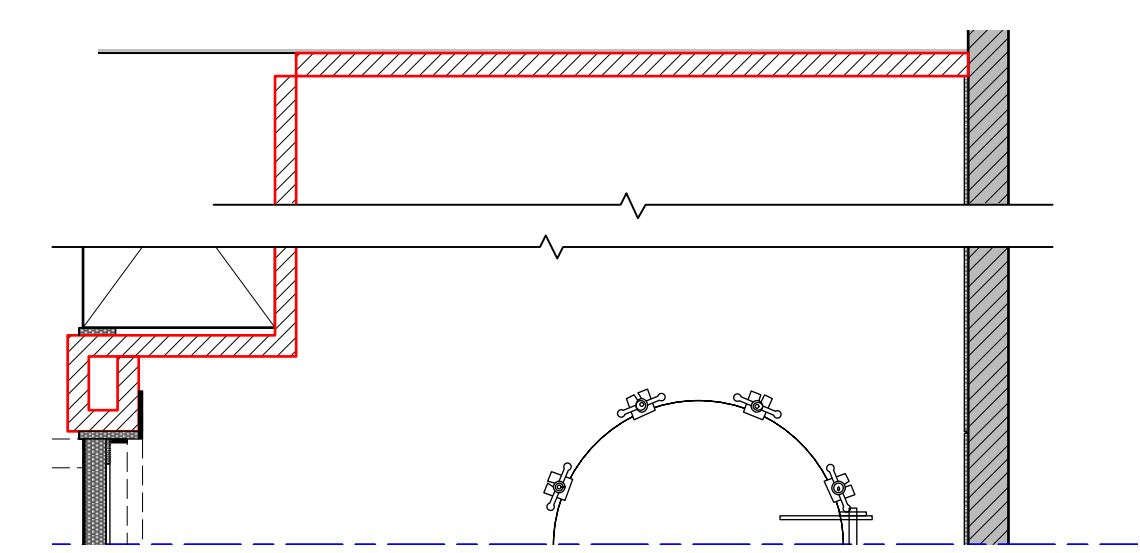
C HIDDEN CHAMBER C
 SCALE: 1/2" = 1'-0"



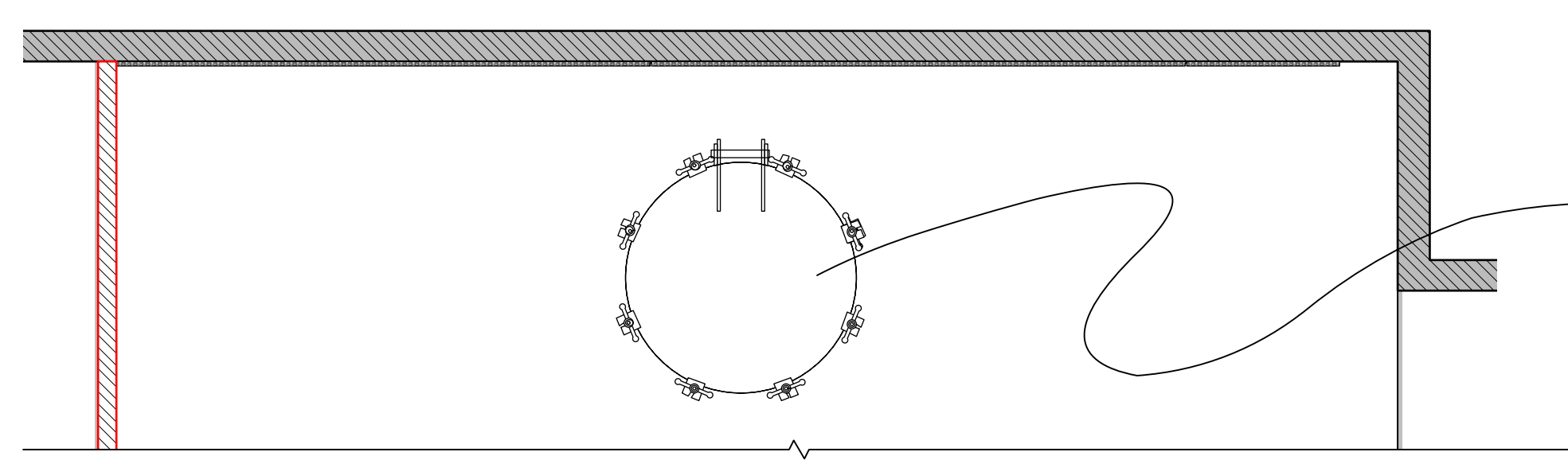
D HIDDEN CHAMBER D
 SCALE: 1/2" = 1'-0"



CONCRETE REFERENCE



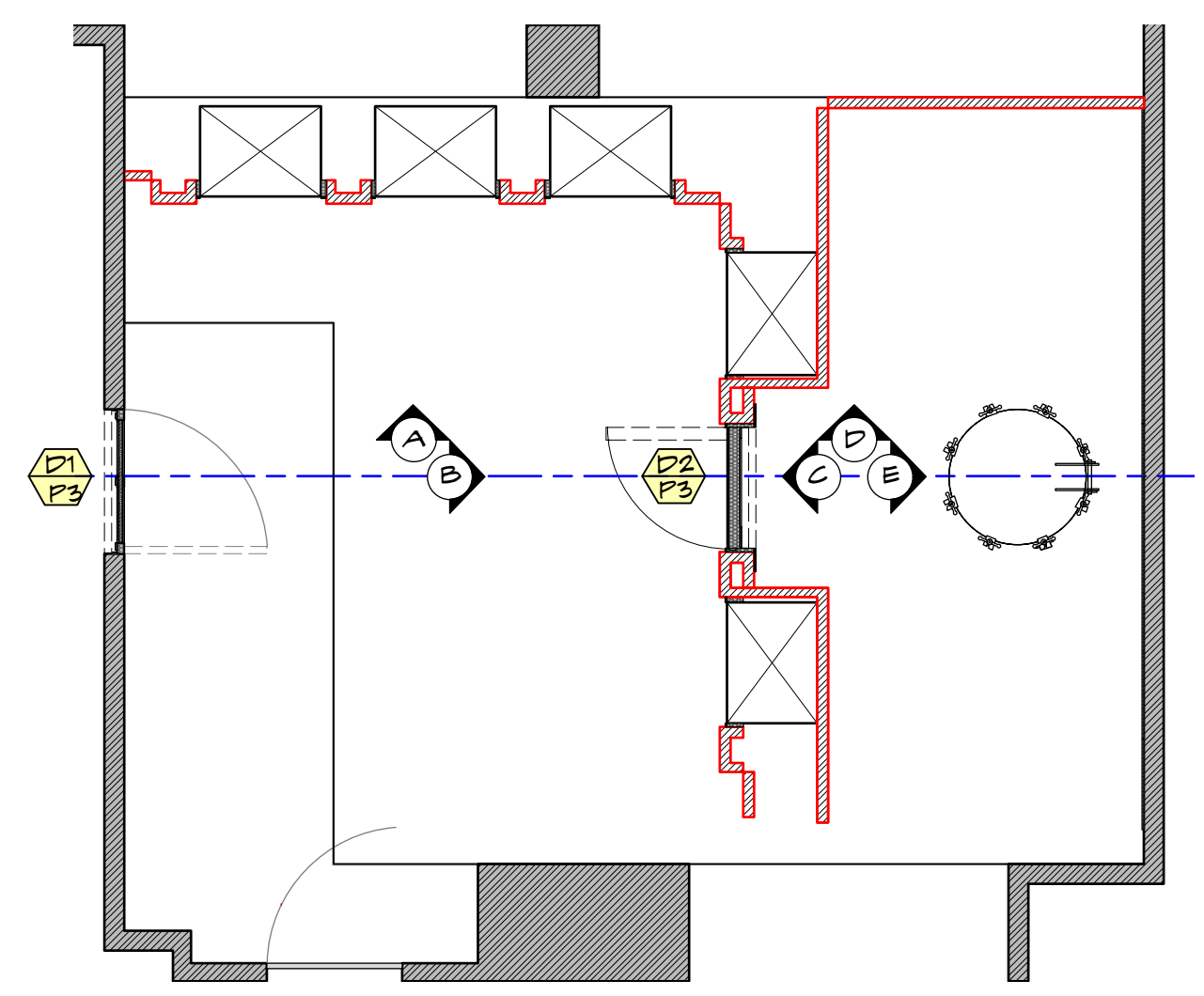
HIDDEN CHAMBER C PLAN
 SCALE: 1/2" = 1'-0"



HIDDEN CHAMBER D PLAN
 SCALE: 1/2" = 1'-0"



CHANDLER EQUIPMENT
 36" MANWAY W/ 12" NECK
 AS PER SET DEC

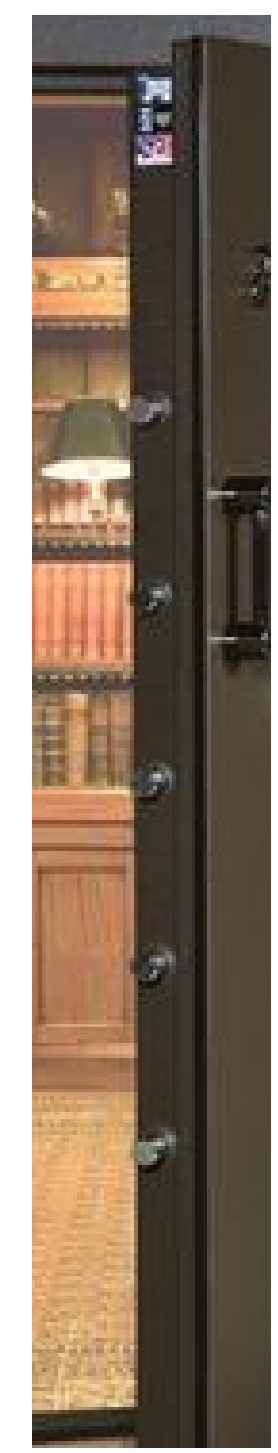


REFERENCE GROUND PLAN
 SCALE: 1/4" = 1'-0"

TRUE SIZE SCALE CHECK
 0 1" 2" 3"

104-241-247_INT_BANK_Elevations_One Hanson Place.wwp

TRUE SIZE SCALE CHECK
104_241-247_INT_BANK_Elevations_One Hanson Place.wvp

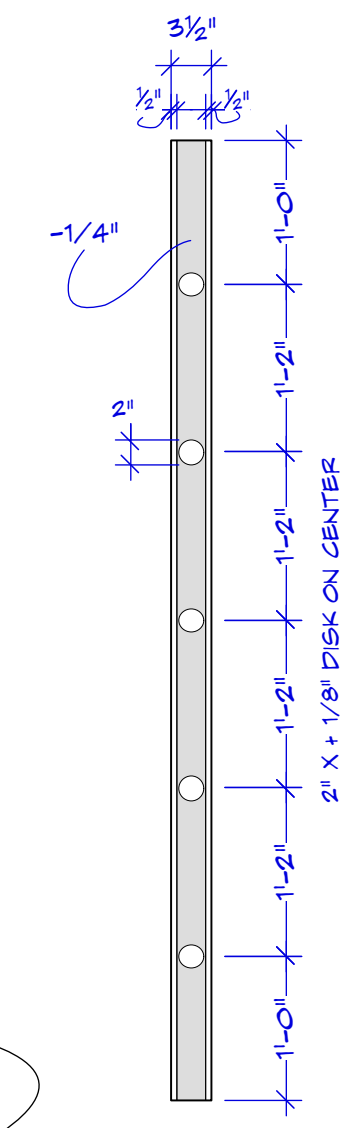


VAULT BOLT REFERENCE

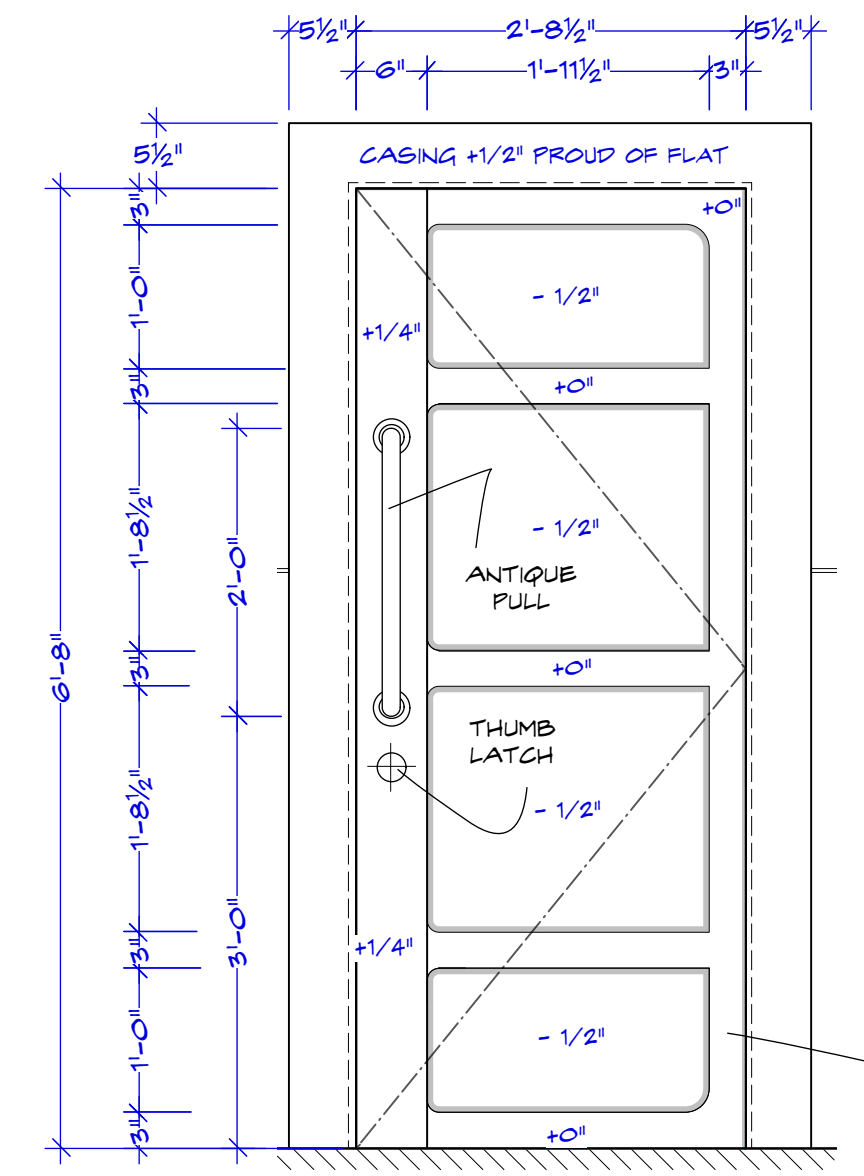


DOOR 2 REFERENCE

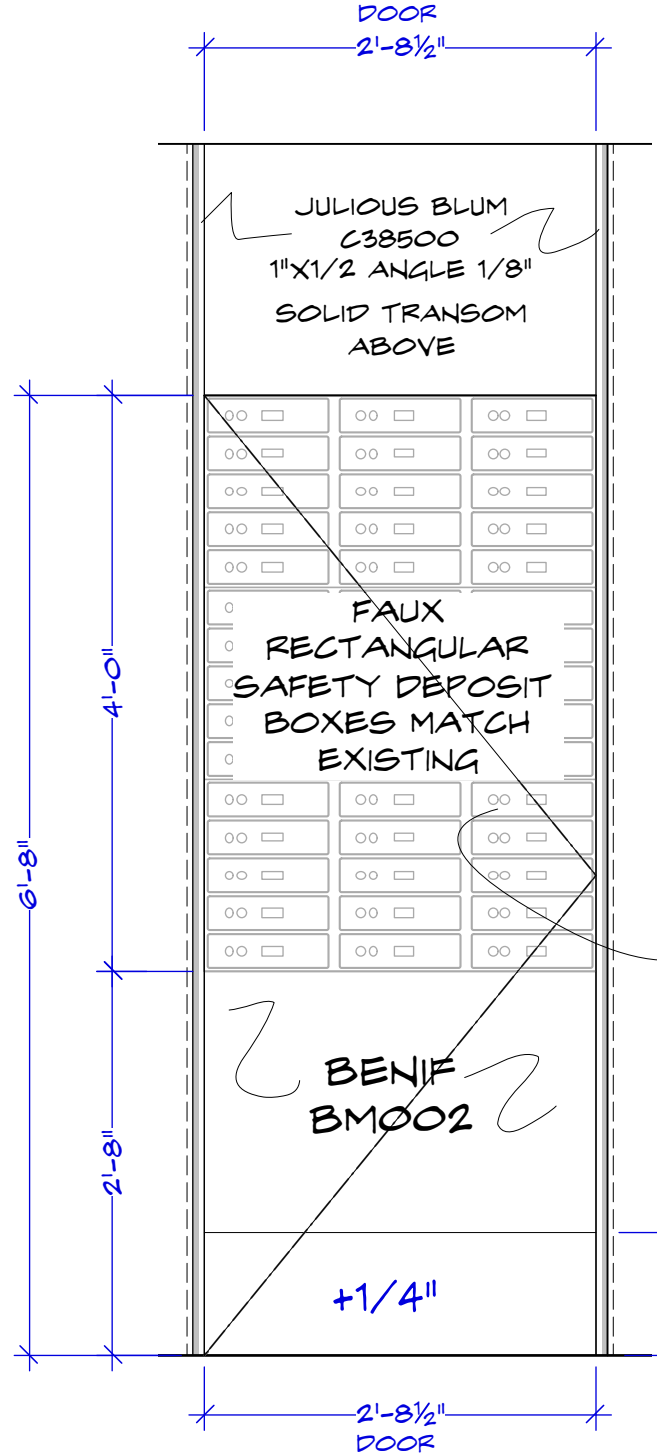
LOCK SIDE
SCALE: 3/4" = 1'-0"



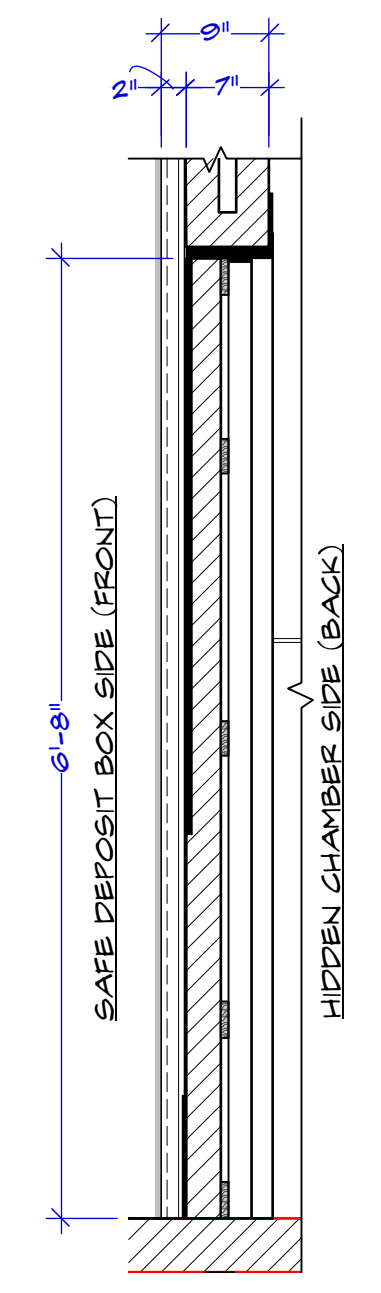
D2 SECRET DOOR 2 BACK
SCALE: 3/4" = 1'-0"



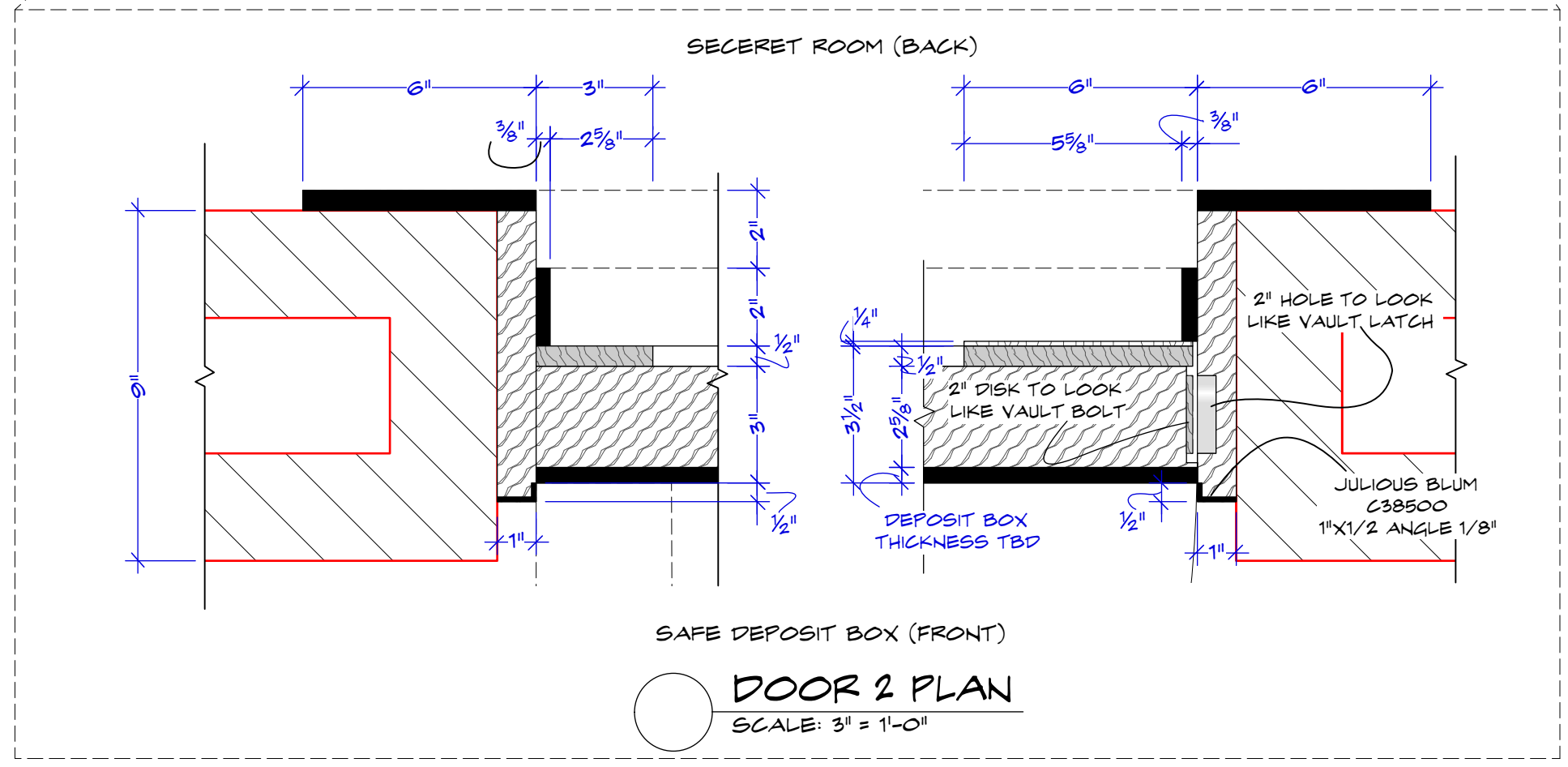
D2 SECRET DOOR 2 FRONT
SCALE: 3/4" = 1'-0"



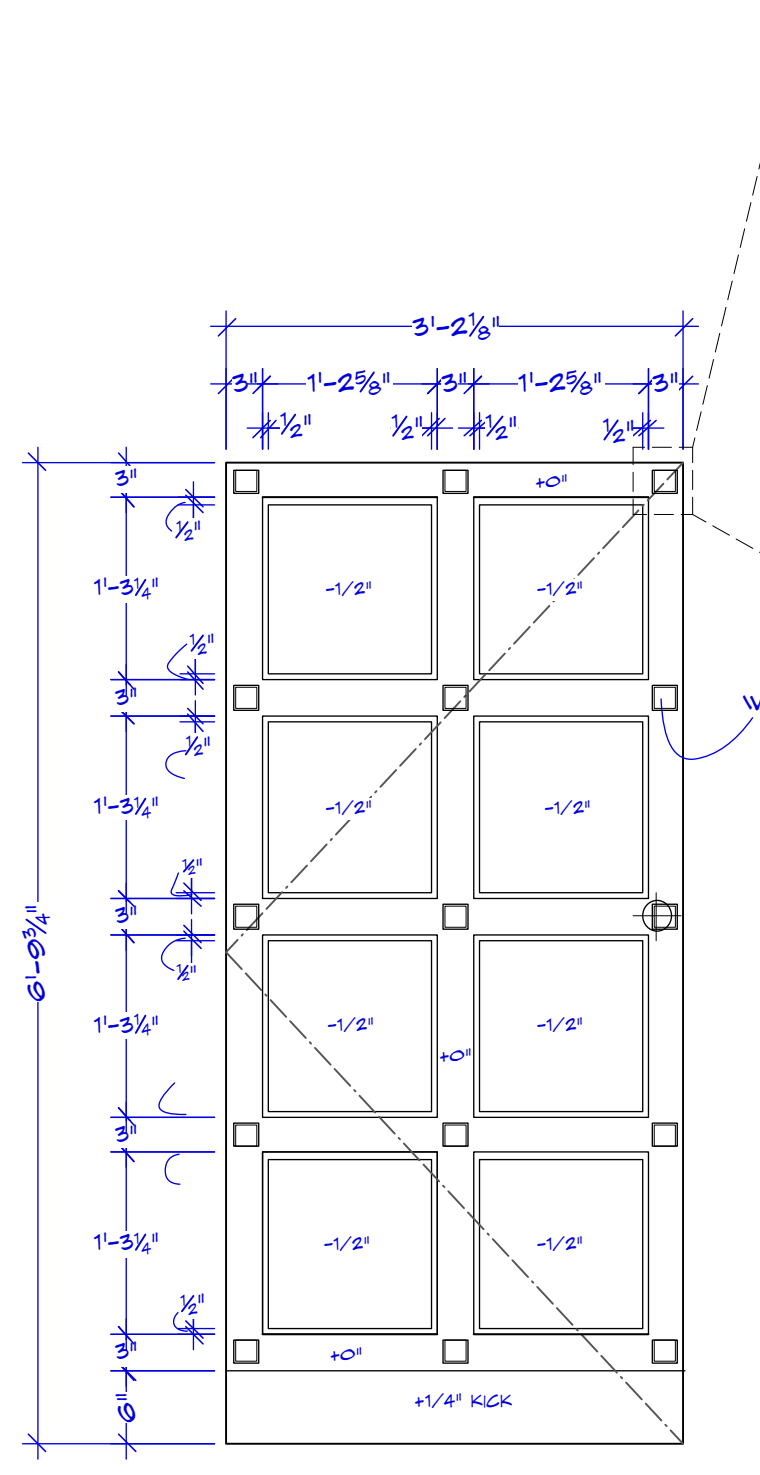
D2 SECTION
SCALE: 3/4" = 1'-0"



DOOR 2 DETAIL PLAN
SCALE: 3/4" = 1'-0"

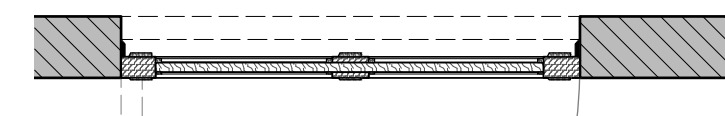


1 DOOR 1 DETAIL 1
SCALE: 3" = 1'-0"

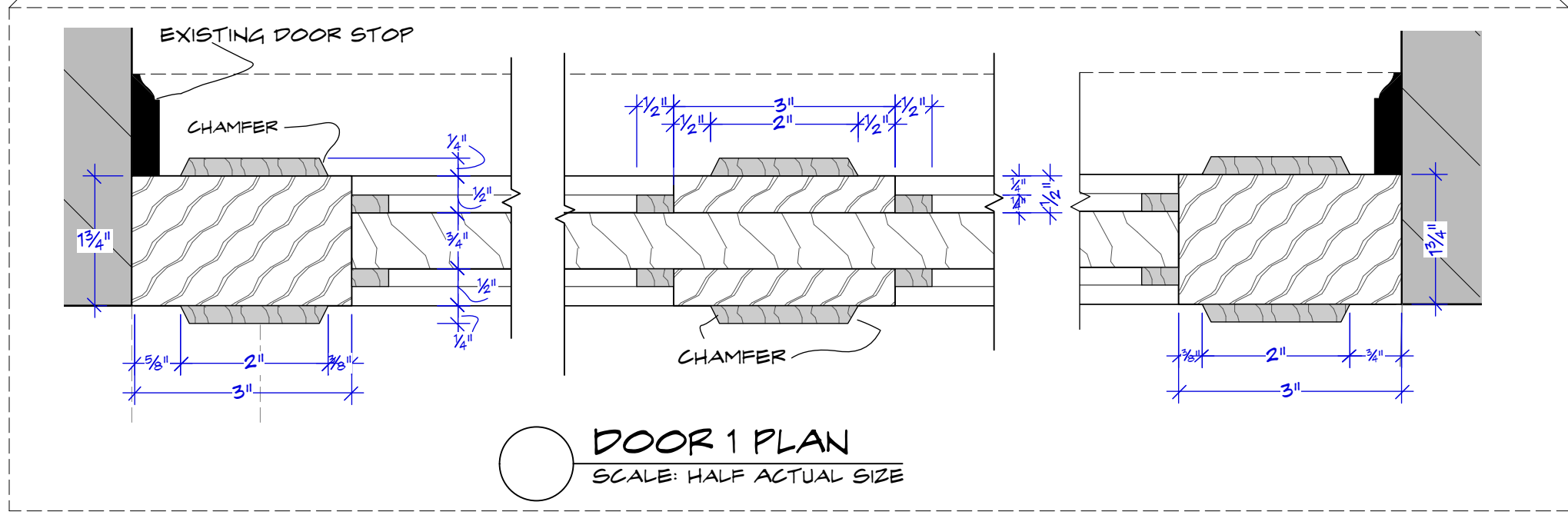


D1 DOOR 1 DETAIL
SCALE: 3/4" = 1'-0"

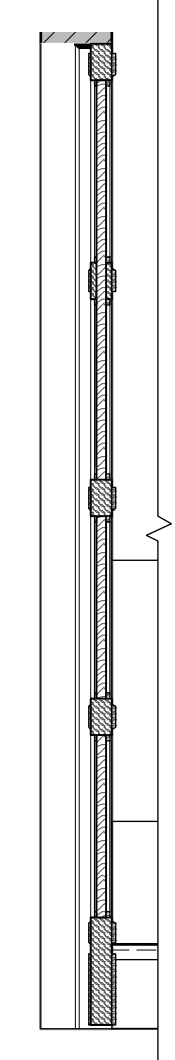
DOOR 1 DETAIL 1 PLAN
SCALE: 3/4" = 1'-0"



DOOR 1 PLAN
SCALE: HALF ACTUAL SIZE



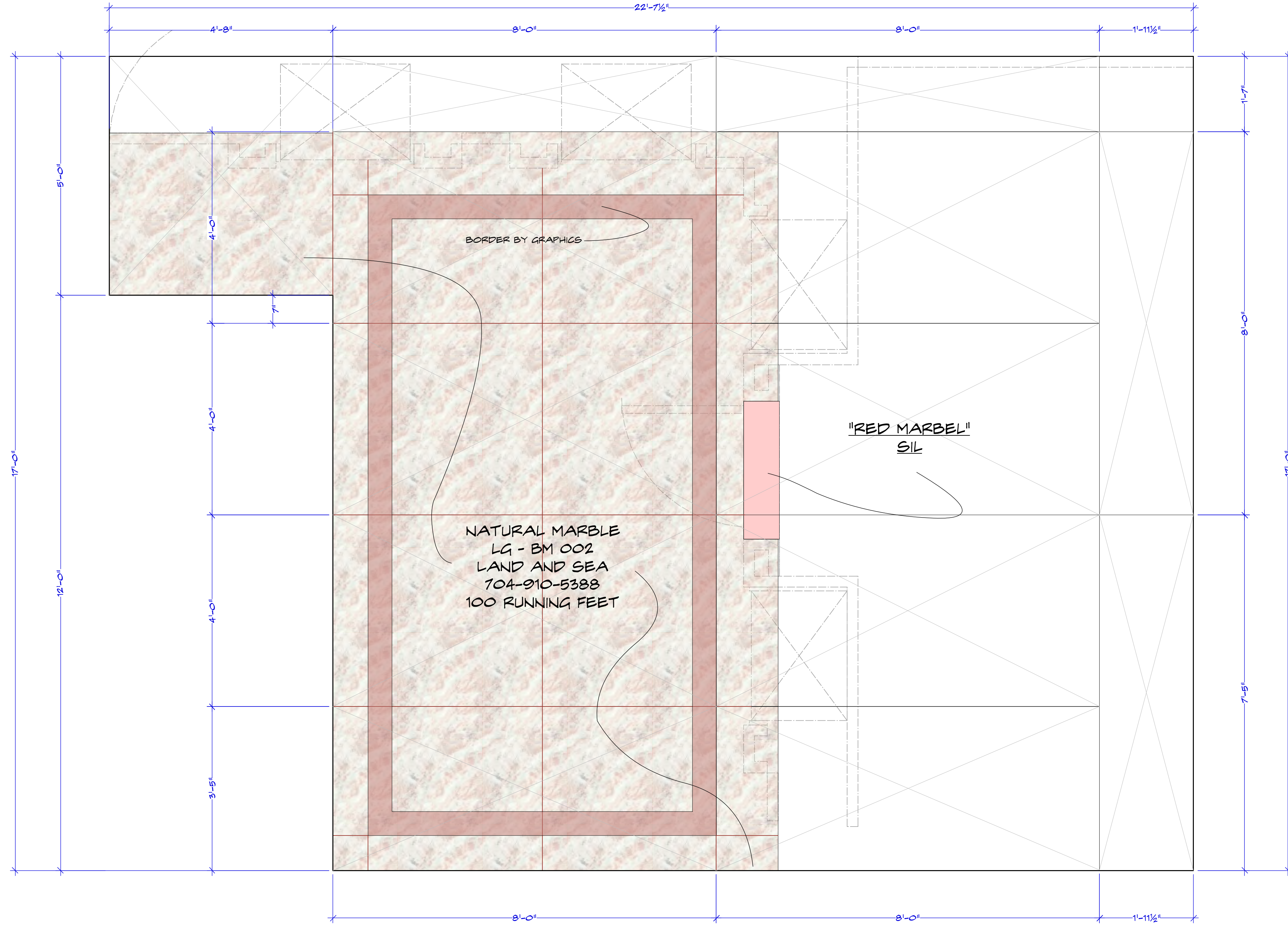
D1 SECTION
SCALE: 3/4" = 1'-0"



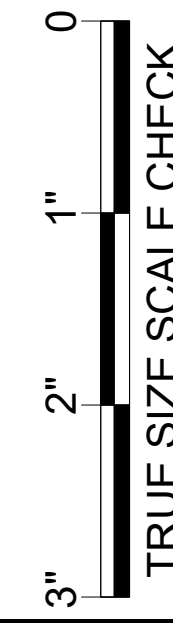
DOOR 1 REFERENCE



PAINT AS METAL



PLATFORM LAYOUT
SCALE: 3/4" = 1'-0"



TRUE SIZE SCALE CHECK

104-241-247_INT_BANK_Elevations_One Hanson Place.wwp



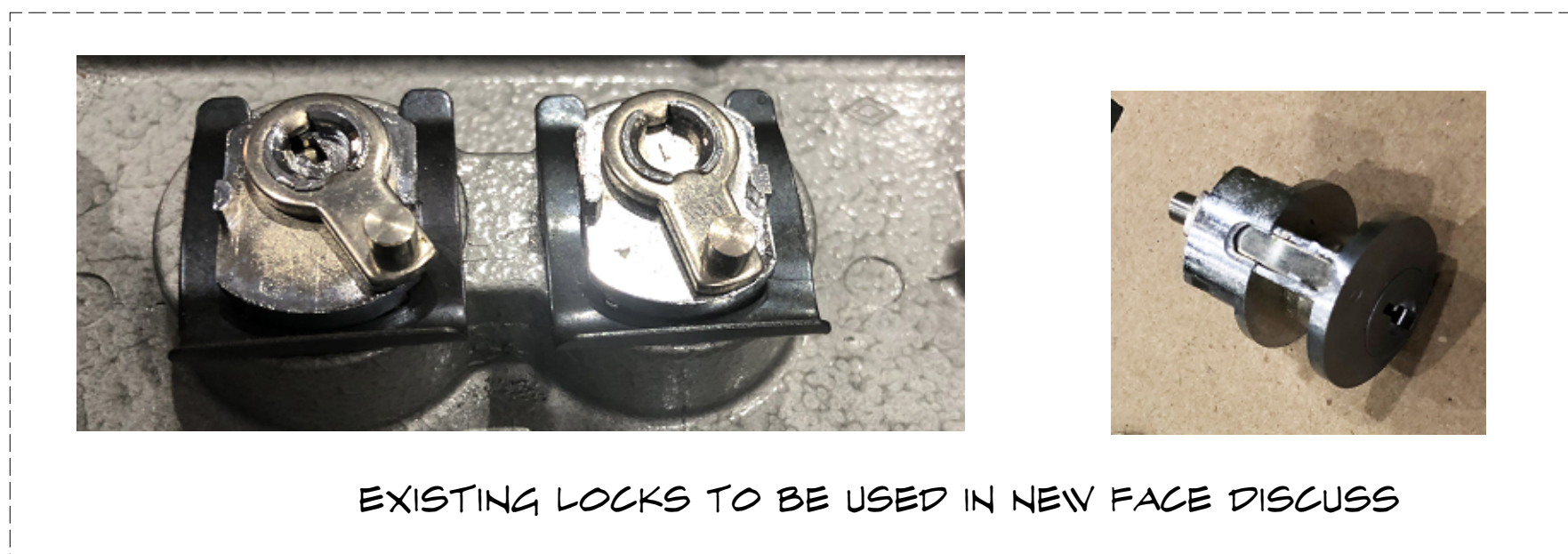
Exec Producer: NIKKI TOSCANO	Producer: JERRY KUPFER	Set Name & Description: ZURICH BANK SECRET ROOM FLOOR	Episode: 104
Line Producer: BILL SELL	UPM: BILL SELL	Director: VARIOUS	Set #: 244
Address: STEINER STUDIO 16 WASHINGTON AVE	Art Director: MARCI MUDD	Location: 1 HANSON PLACE, NY 11243	Scale: NOTED
Prod. Designer: CURT BEECH	Const. Coordinator: NILES NORTON		
Set Decorator: SUSAN MARSHAL			
Drawing Date: 5/6/2019	Drawn by: MARTIN FAHRER		
Shoot Date: 05/13/2019	Sheet No.: 244-04		

RELEASED 05/06/2019



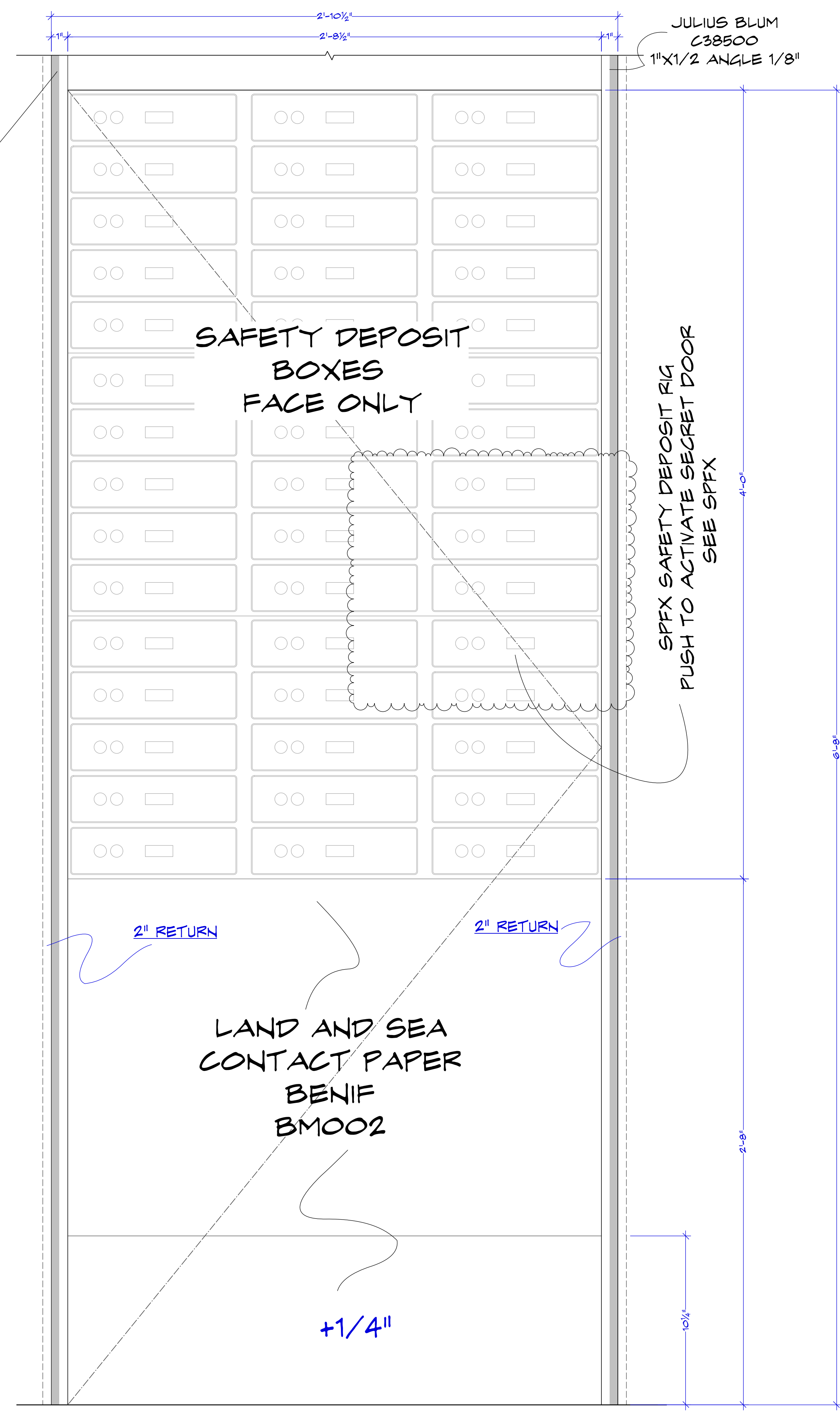
SAFETY DEPOSIT BOX REFERENCE PHOTO

NOTES:
 SAFETY DEPOSIT BOXES ON THIS WALL ARE FACES ONLY.
 DOORS AND SURROUND CNC FROM 1/8" SINTRA AND MOUNTED ON SUB-STRATE.
 HINGES ARE CAST BY SCENIC ARTIST.
 ALL LOCKS FROM EXISTING UNITS MOVED TO THIS WALL THEN RETURNED.
 PAINT TO MATCH.
 GRAPHICS TO SUPPLY NUMBERS.



EXISTING LOCKS TO BE USED IN NEW FACE DISCUSS

JULIUS BLUM
 C38500
 1"X1/2 ANGLE 1/8"



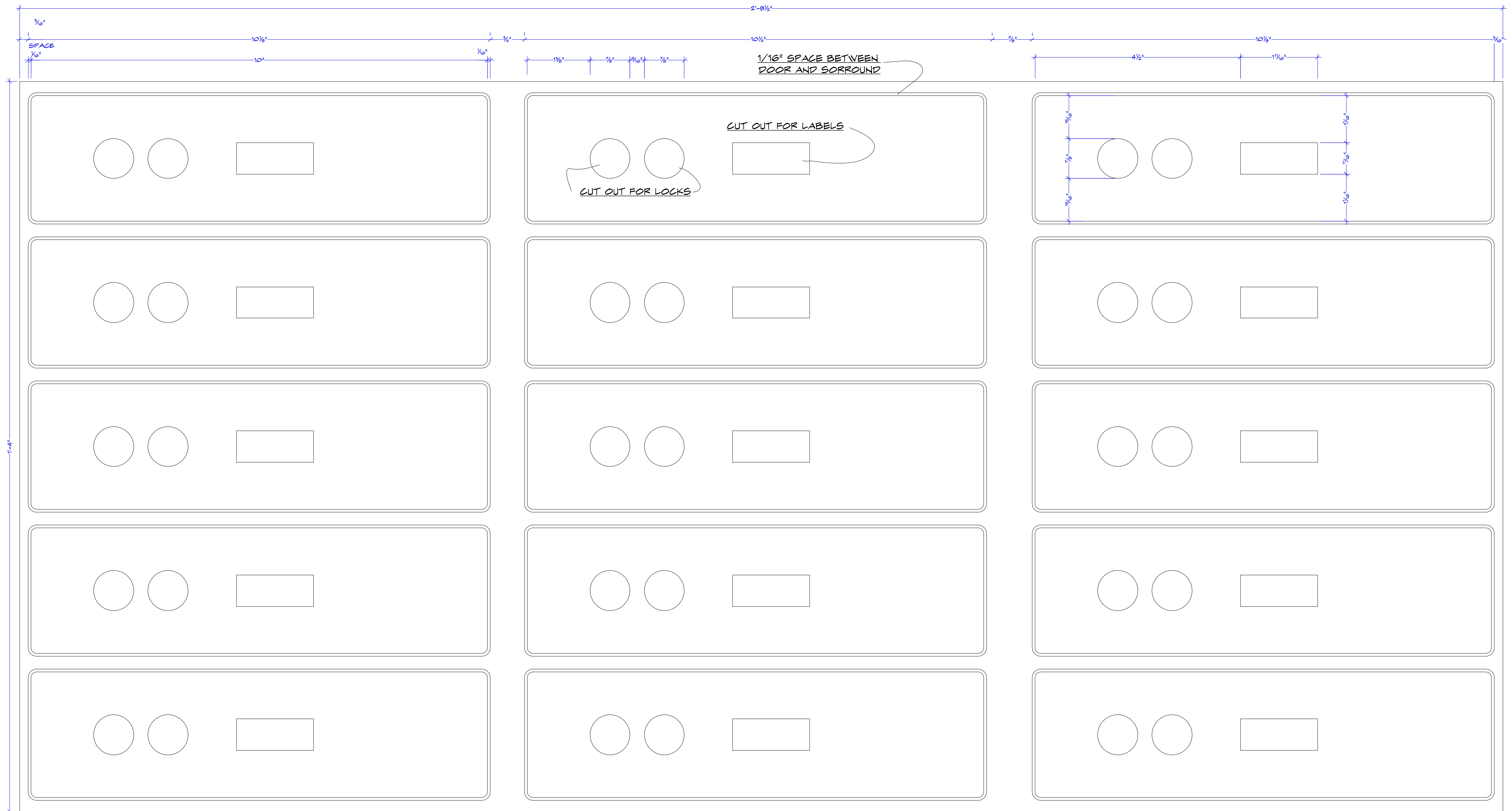
D2 SECRET DOOR SAFE DEPOSIT BOX PANEL (FRONT)
 SCALE: 3/4" = 1'-0"

TRUE SIZE SCALE CHECK
 3" 2" 1" 0

104-241-247_INT_BANK_Elevations_One Hanson Place.wsp



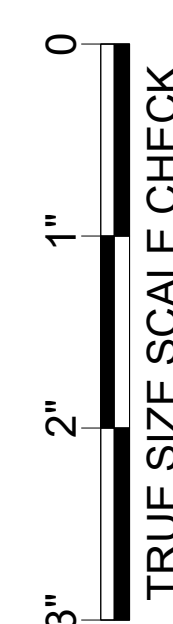
RELEASED 05/07/2019		Episode: 104		Set Name & Description: ZURICH BANK SECRET ROOM CNC detail		Exec Producer: NIKKI TOSCANO		Producer: JERRY KUPFER		Set Name & Description: ZURICH BANK SECRET ROOM CNC detail		Drawing Date: 5/7/2019		Drawn by: MARTIN FAHRER	
		Set #: 244		Director: VARIOUS		Line Producer: BILL SELL		UPM: BILL SELL		Director: MARCI MUDD		Shoot Date: 05/13/2019		Sheet No.: 244-05	
		Scale: NOTED		Location: 1 HANSON PLACE, NY 11243		Prod. Designer: CURT BEECH		Const. Coordinator: NILES NORTON		Scale: NOTED					



**MAKE 3 FACE PLATES UNITS,
DOORS AND SURROUND.
USE 1/8" BLACK SINTRA**

○ FULL SIZE SAFETY DEPOSIT OF CNC FACE MAKE 3
SCALE: ACTUAL SIZE

PHOTO REFERENCE TO MATCH



TRUE SIZE SCALE CHECK