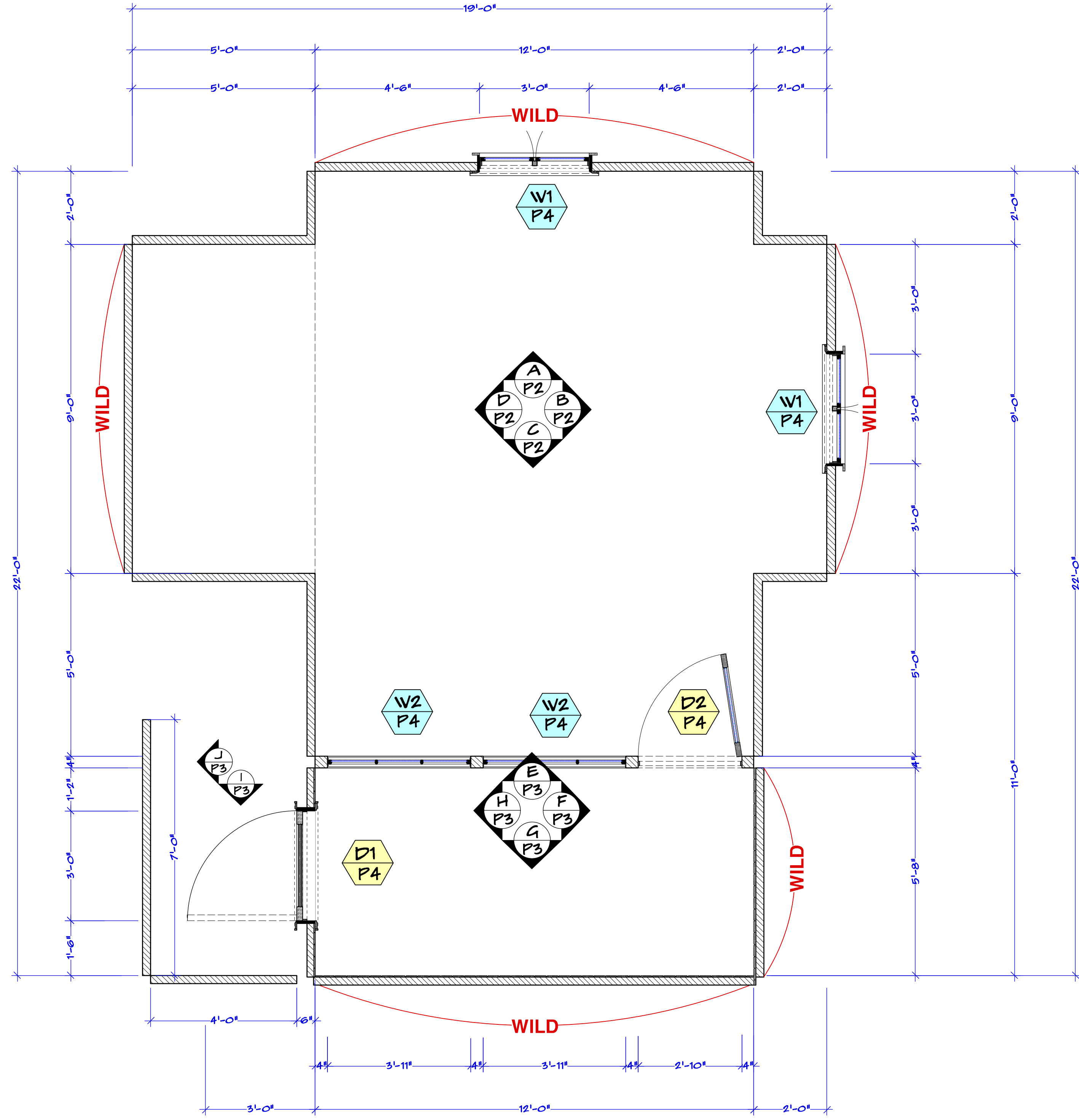


DOOR NUMBER	D1	D2
	QTY	1
TYPE	ENTRANCE	ENTRANCE
ELEVATION		
DOOR OPENING SIZE	36 X 80	34 X 80
DOOR MATERIAL	WOOD	WOOD
FINISH	STAIN	STAIN
DETAIL SHEET	4	4
HARDWARE STYLE		
ENTRY	MORTIS	MORTIS
PRIVACY		
PASSAGE		
DUMMY		
HARDWARE FINISH	ANTIQUÉ BRASS	ANTIQUÉ BRASS
HINGE QTY	3	3
THRESHOLD	WOOD	PAINT

WINDOW NUMBER	W1	W2
	QTY	2
TYPE	DOUBLE HINGE	3 X 4
ELEVATION		
DOOR OPENING SIZE	36 X 54.5	47 X 50
DOOR MATERIAL	WOOD	WOOD
FINISH	PAINT	STAIN
DETAIL SHEET		
HARDWARE STYLE		
PULL		
SASH		
CREMONE		
DUMMY	X	
HARDWARE FINISH	ANTIQUÉ BRASS	ANTIQUÉ BRASS
WINDOW COVERING	PER SET DEC	PER SET DEC
GLASS TYPE	CLEAR	CLEAR



TECHNICAL PLAN
SCALE: 1/2" = 1'-0"



TRUE SIZE SCALE CHECK

105_259_Concentration Camp Medical Off_Elevations.vwx



Exec Producer: NIKKI TOSCANO
Line Producer: BILL SELL
Address: STEINER STUDIO 15 WASHINGTON AVE
Prod. Designer: CURT BEECH
Set Decorator: SUSAN MARSHAL

Producer: JERRY KLUPFER
UPM: BILL SELL
Art Director: MARCI MUDD
Const. Coordinator: NILES NORTON

Set Name & Description:
CONCENTRATION CAMP MED OFFICE TECH PLAN
Director: VARIOUS
Location: **STAGE**

Episode: **105**
Set #: **259**
Scale: **1/2"=1'-0"**

Drawing Date: **5/31/2019**
Drawn by: **M Fahrer**
Sheet No.: **259-01**

Shoot Date: XXXXX/2019

RELEASED 05/31/2019

RELEASED 05/31/2019

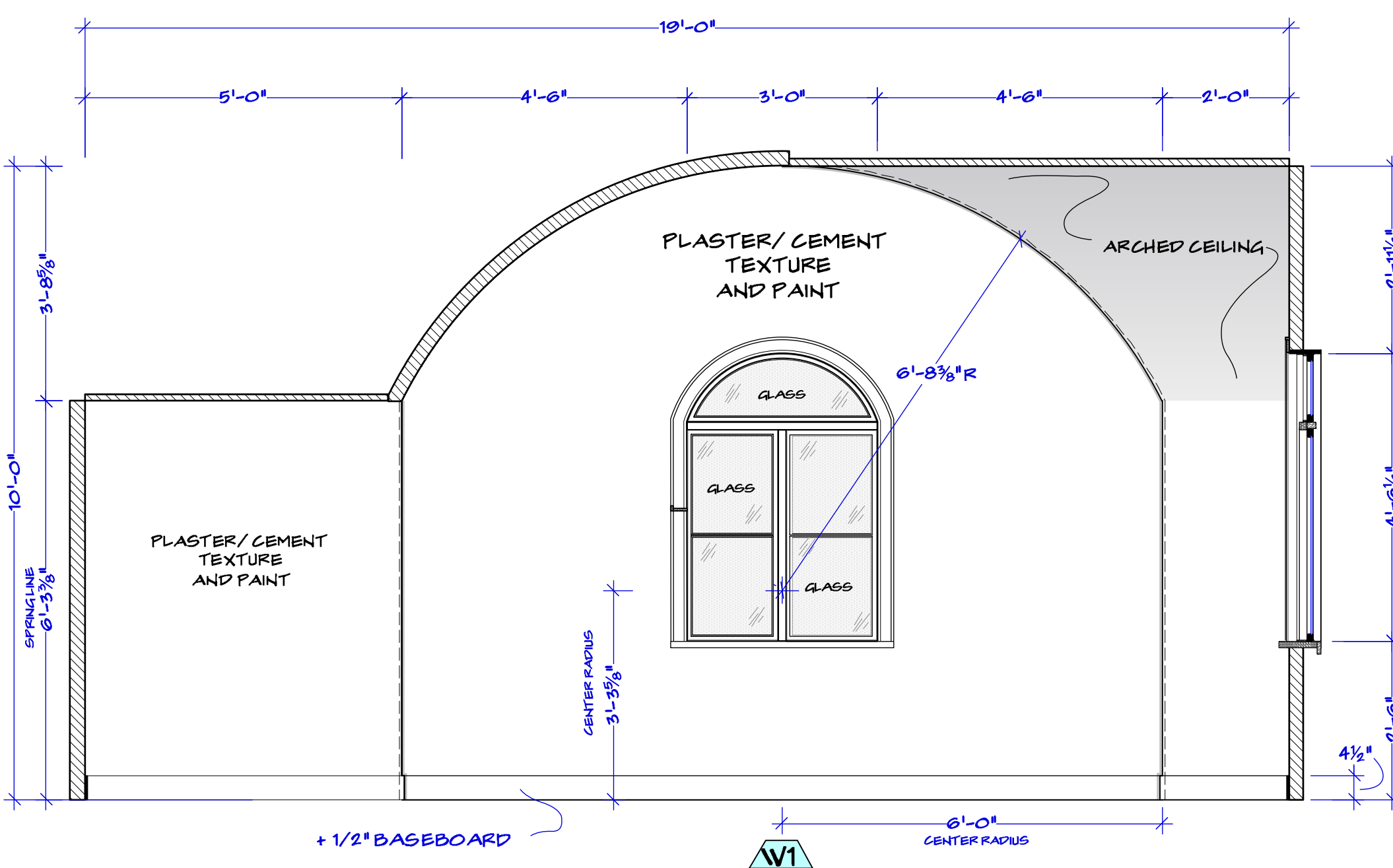
Episode: 105
Set #: 259
Scale: NOTED

Drawing Date: 5/31/2019
Drawn by: M. Fehrer
Sheet No.: 259-02
Shoot Date: XXXX/2019

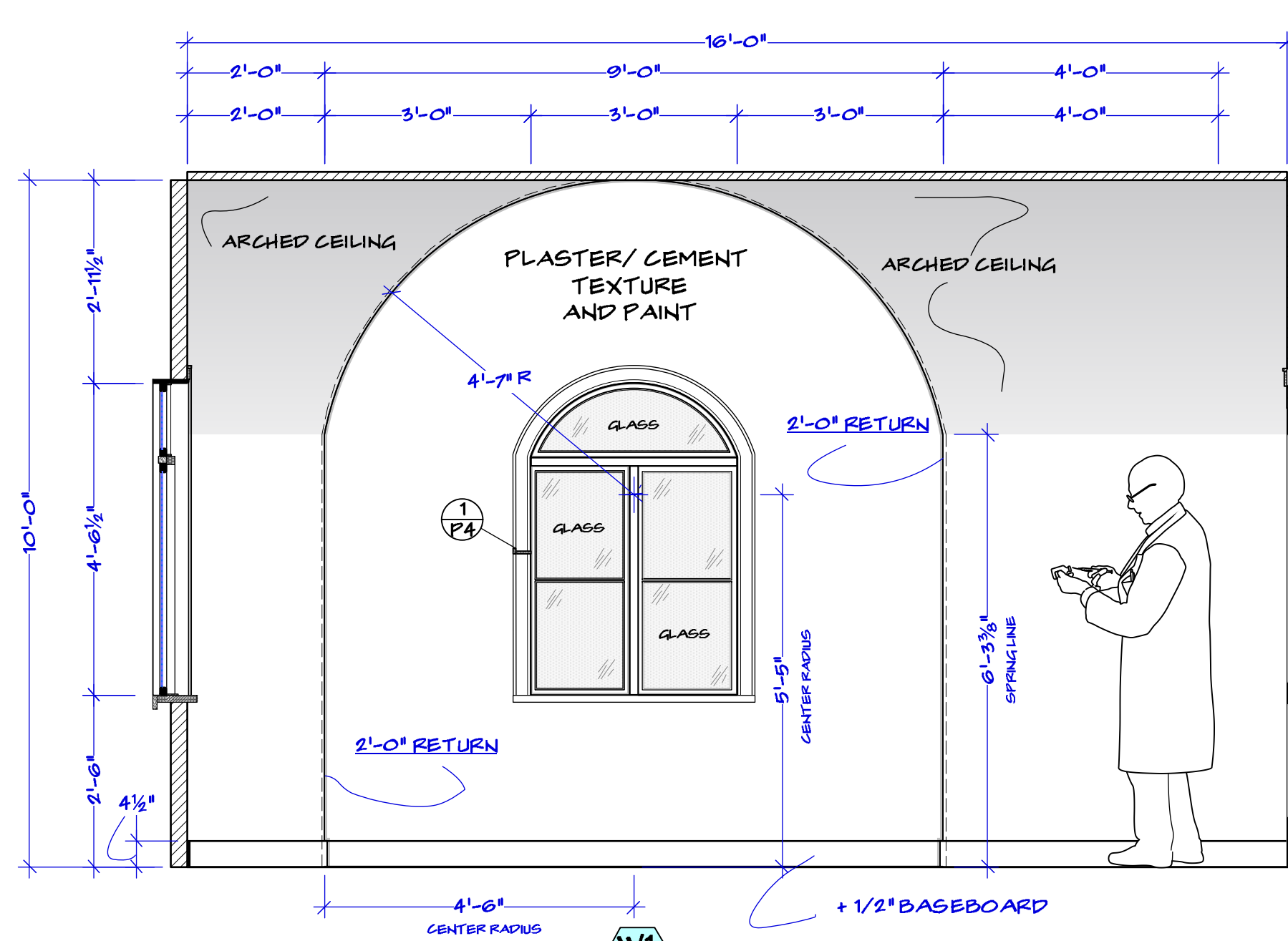
Set Name & Description: CONCENTRATION CAMP MED OFFICE ELEVATION
Director: VARIOUS
Location: STAGE

Exec Producer: JERRY KUPFER
Producer: UPM: BILL SELL
Line Producer: NIKKI TOSCANO
Address: STEINER STUDIO 15 WASHINGTON AVE
Prod. Designer: CURT BEECH
Set Decorator: SUSAN MARSHAL
Const. Coordinator: NILES NORTON

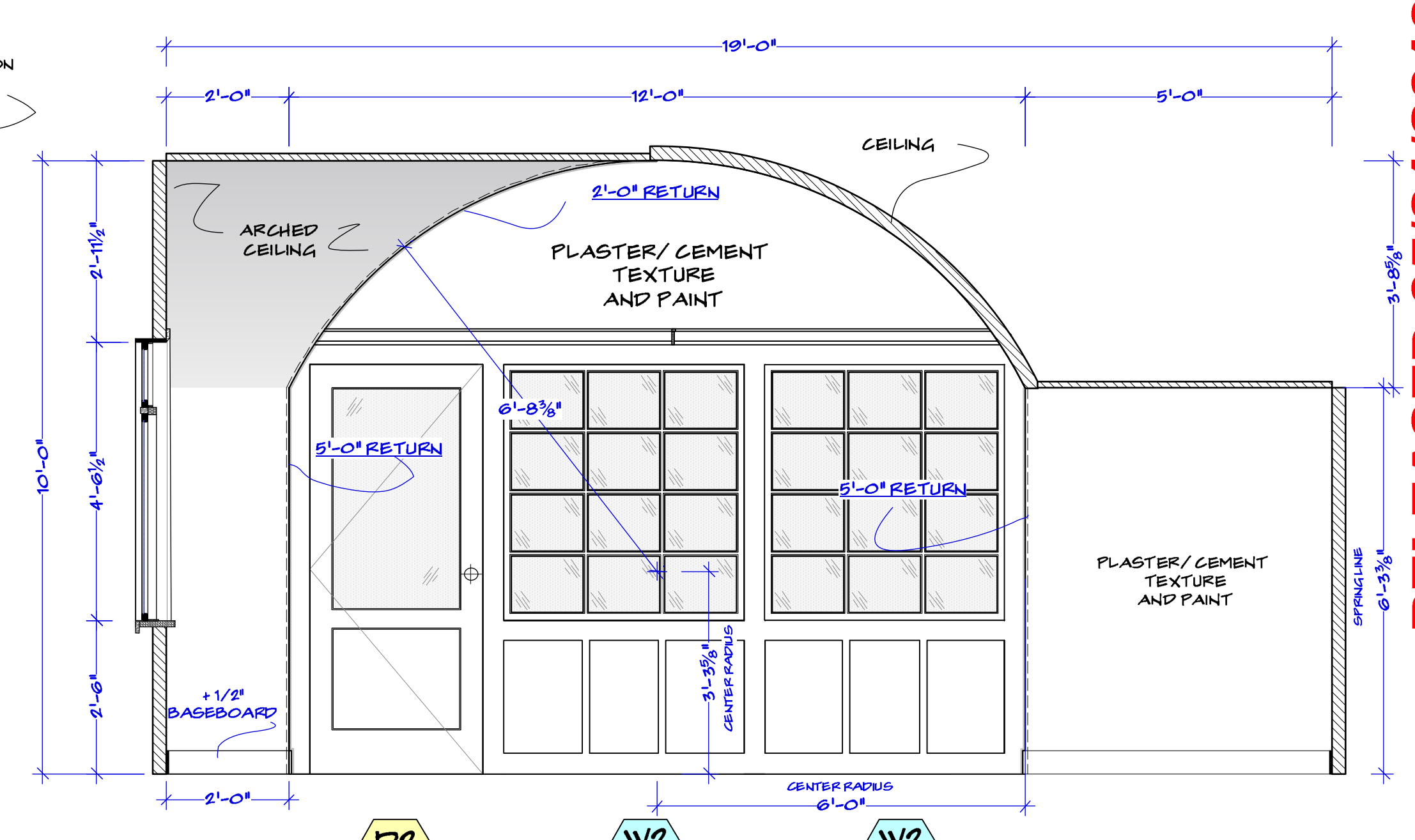
THE HUNT



A OFFICE WINDOW A
SCALE: WILD

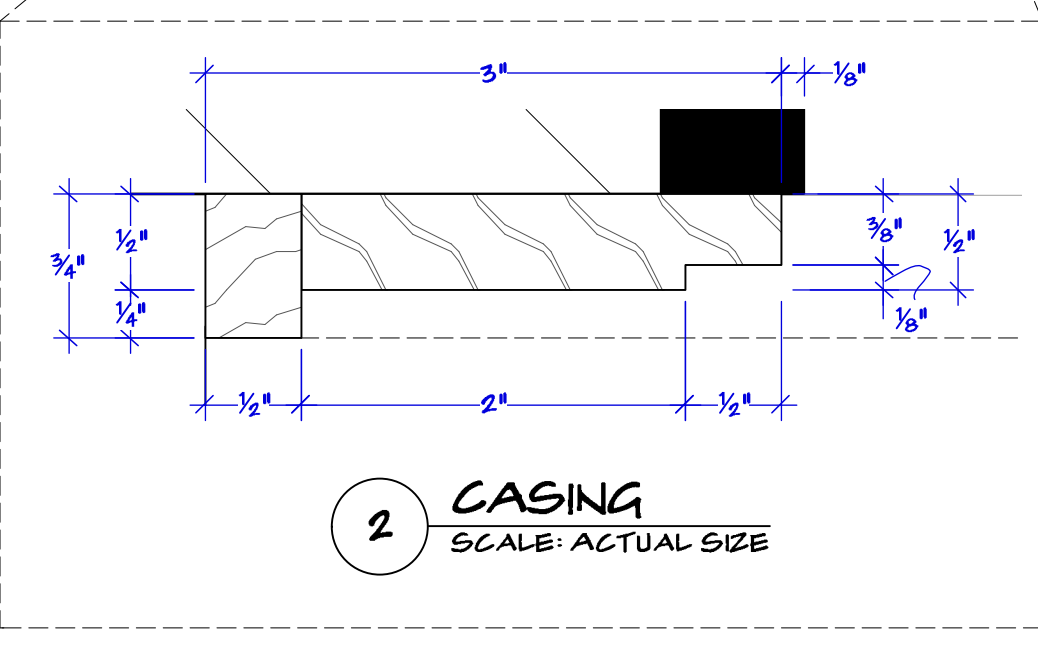


B SIDE WALL WITH WINDOW B
SCALE: 1/2" = 1'-0"



C FLAT WALL C
SCALE: 1/2" = 1'-0"

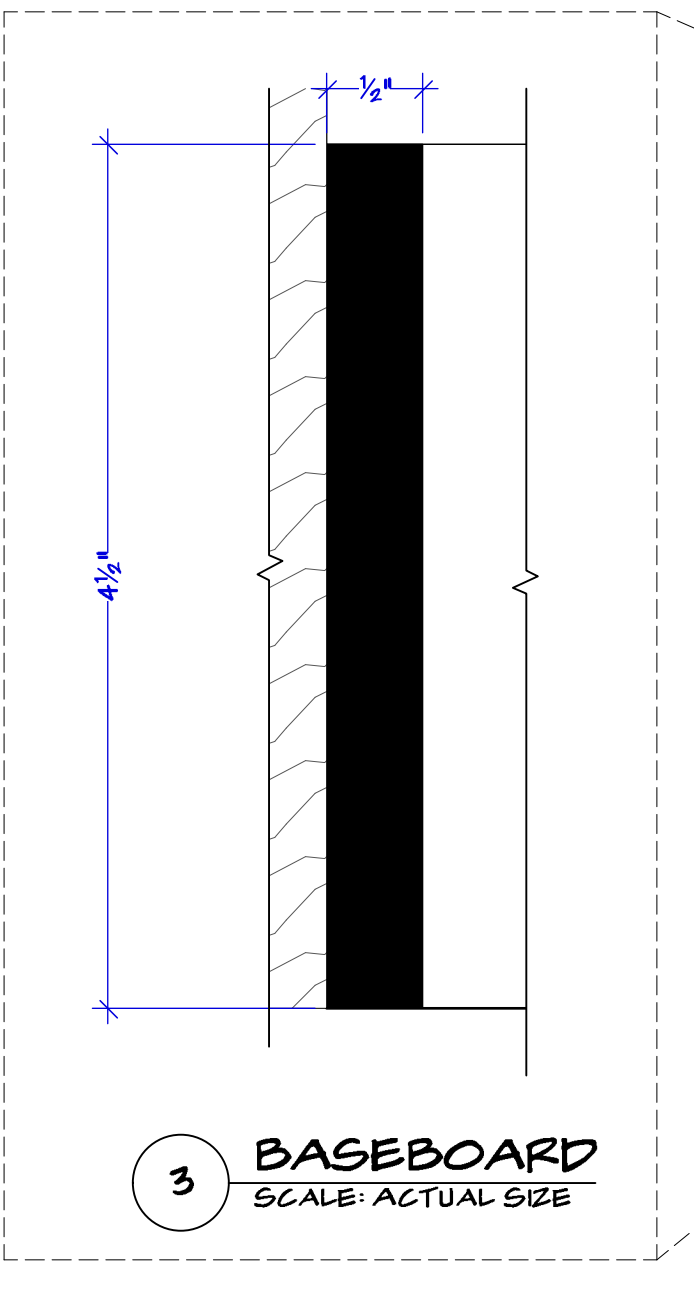
WALL A PLAN
SCALE: 1/2" = 1'-0"



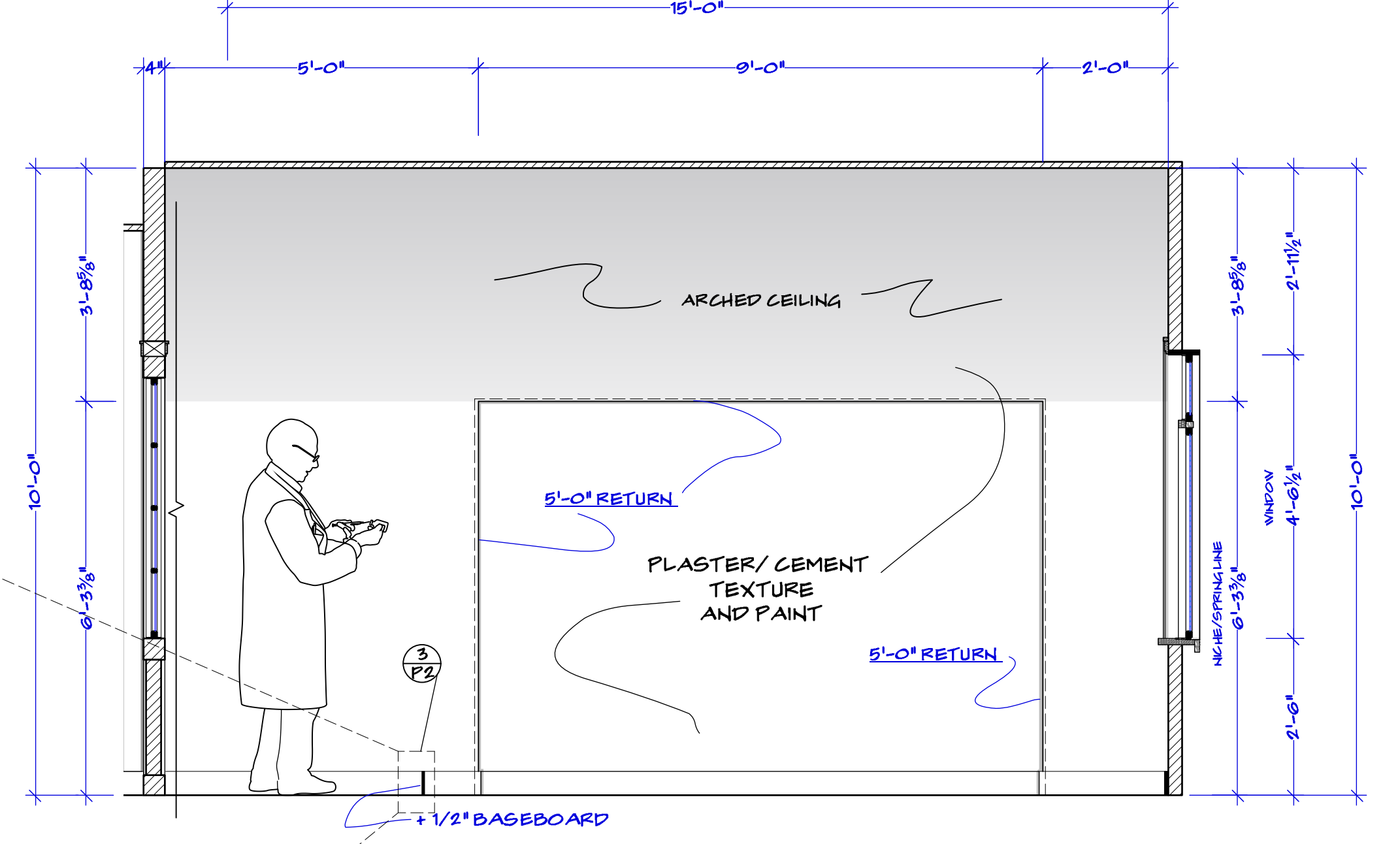
2 CASING
SCALE: ACTUAL SIZE

WALL B PLAN
SCALE: 1/2" = 1'-0"

PLAN C FLAT
SCALE: 1/2" = 1'-0"

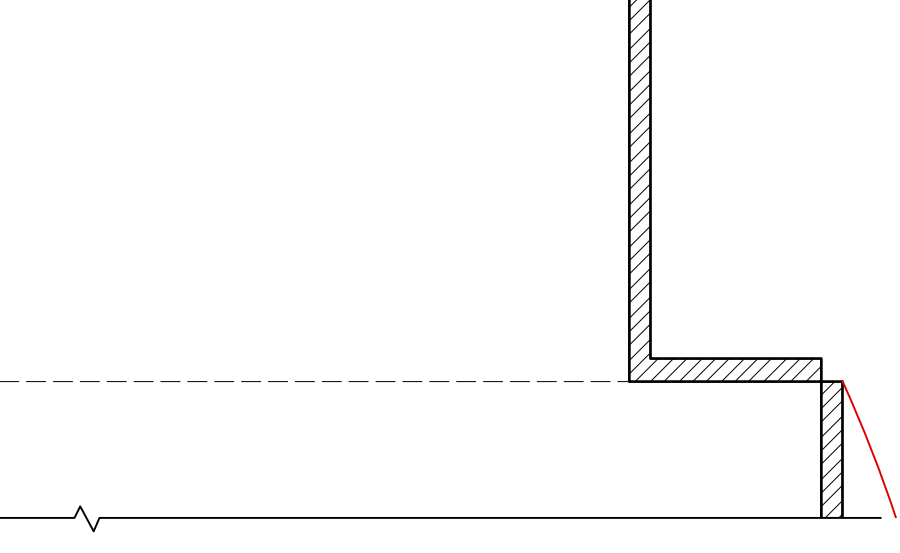


3 BASEBOARD
SCALE: ACTUAL SIZE

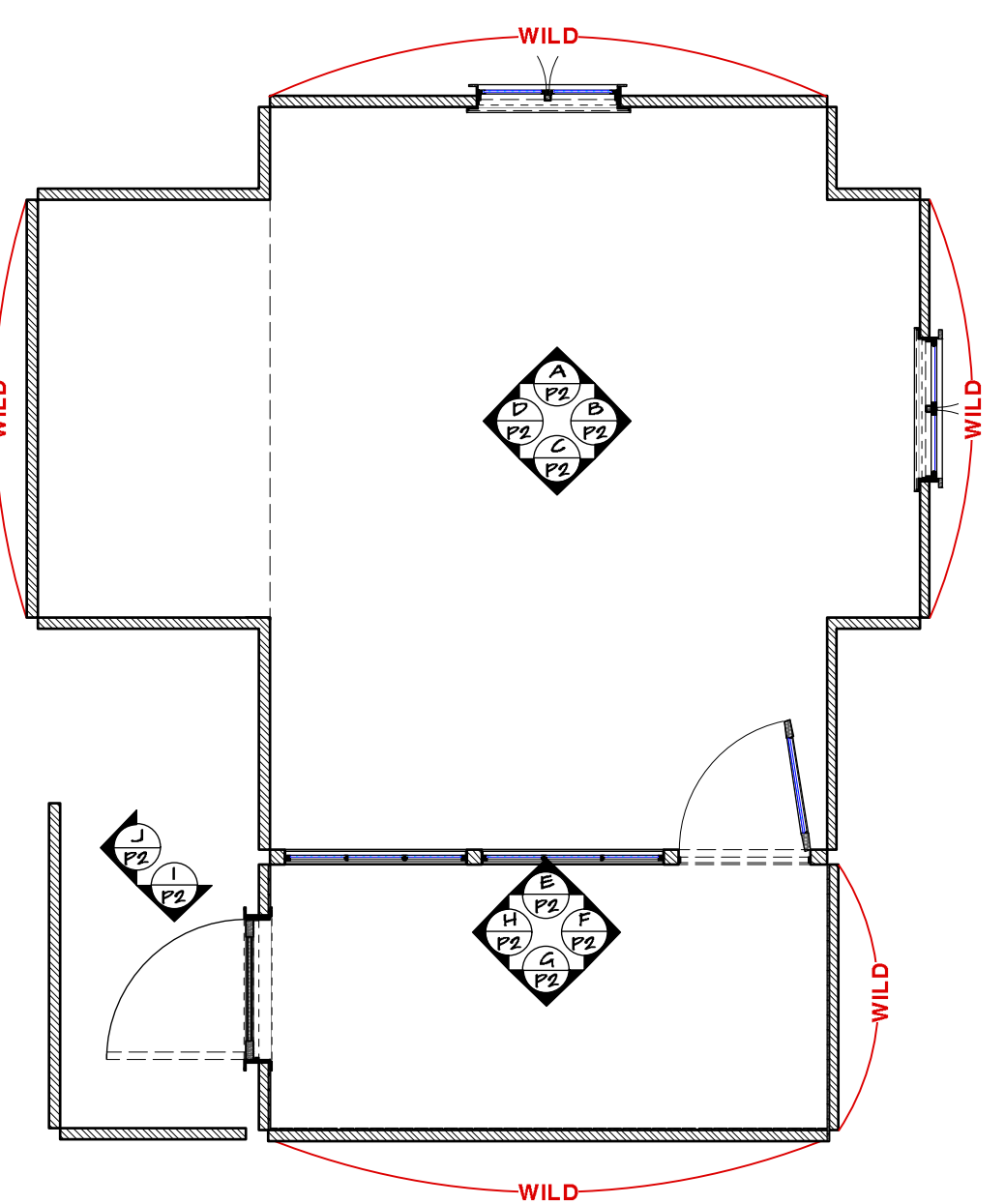


D WALL D FRONT VIEW
SCALE: 1/2" = 1'-0"

WALL D PLAN
SCALE: 1/2" = 1'-0"



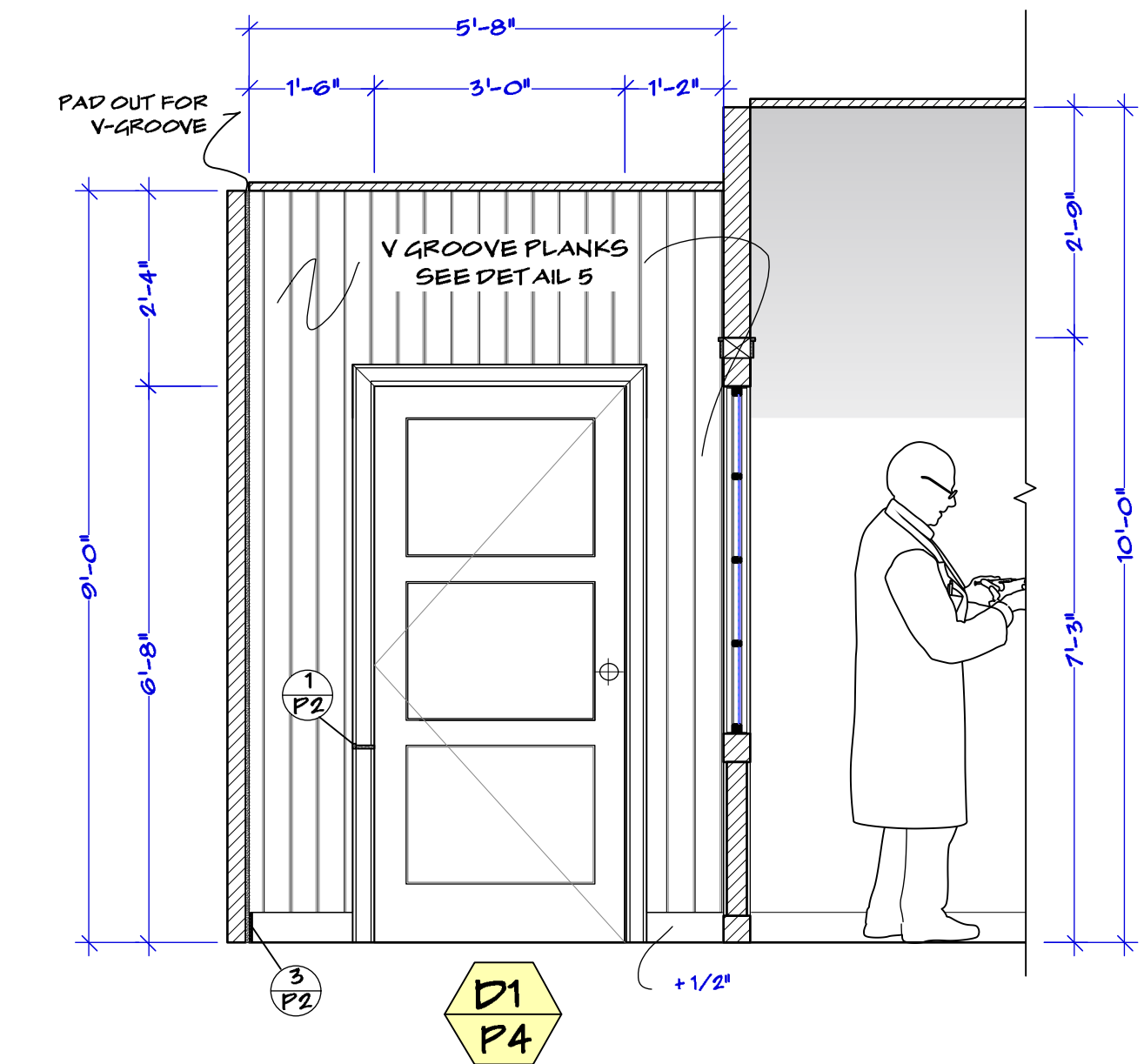
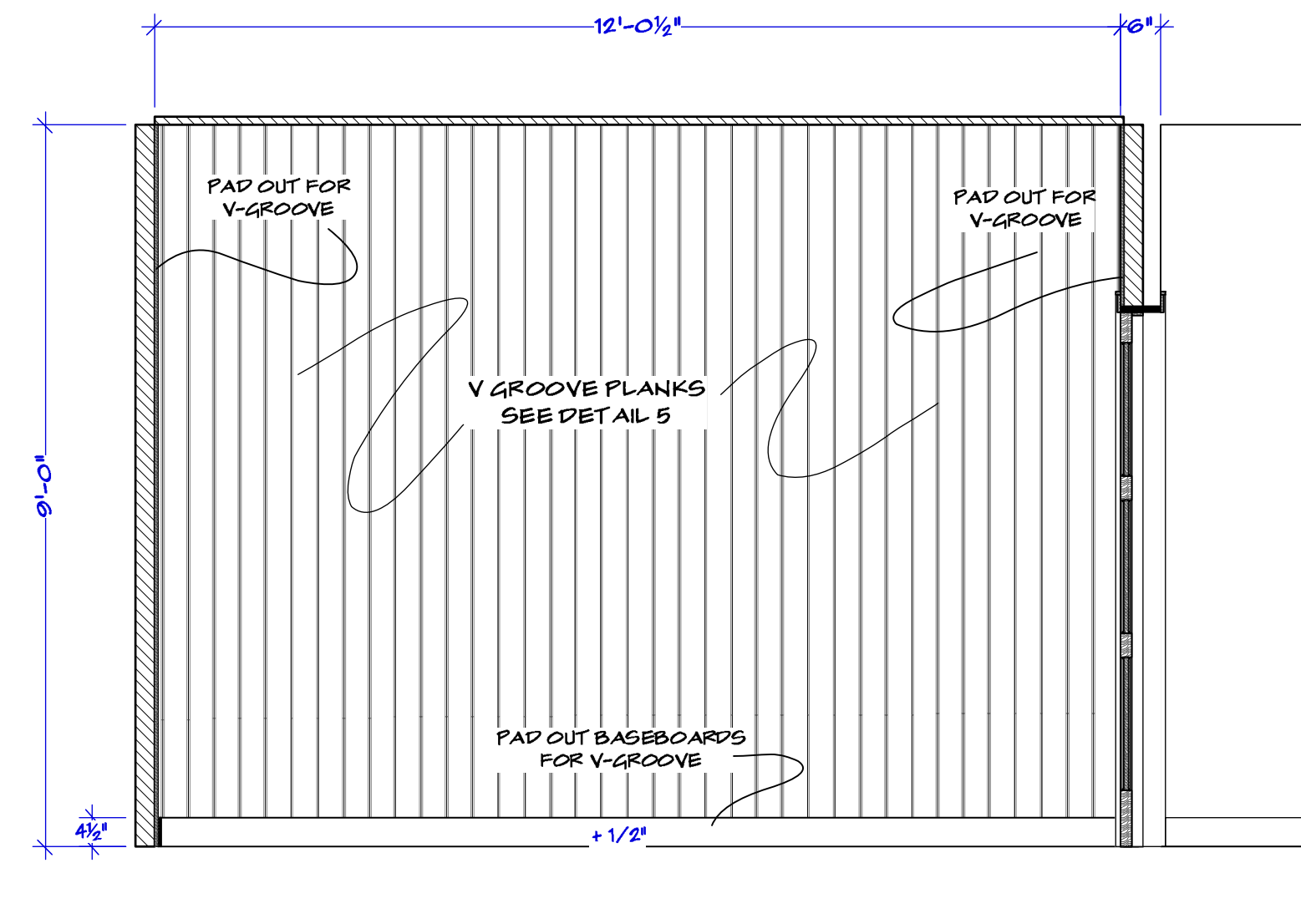
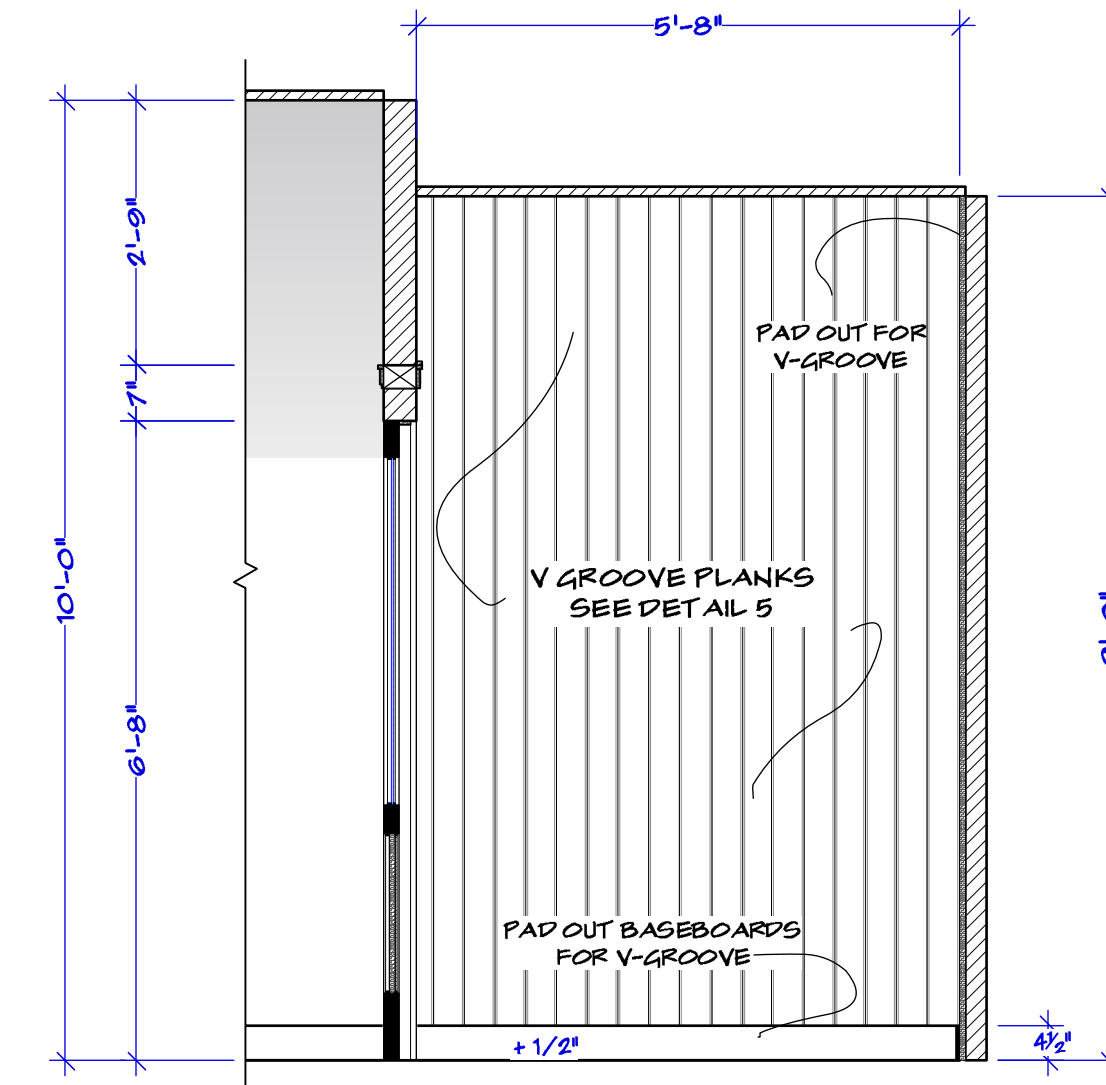
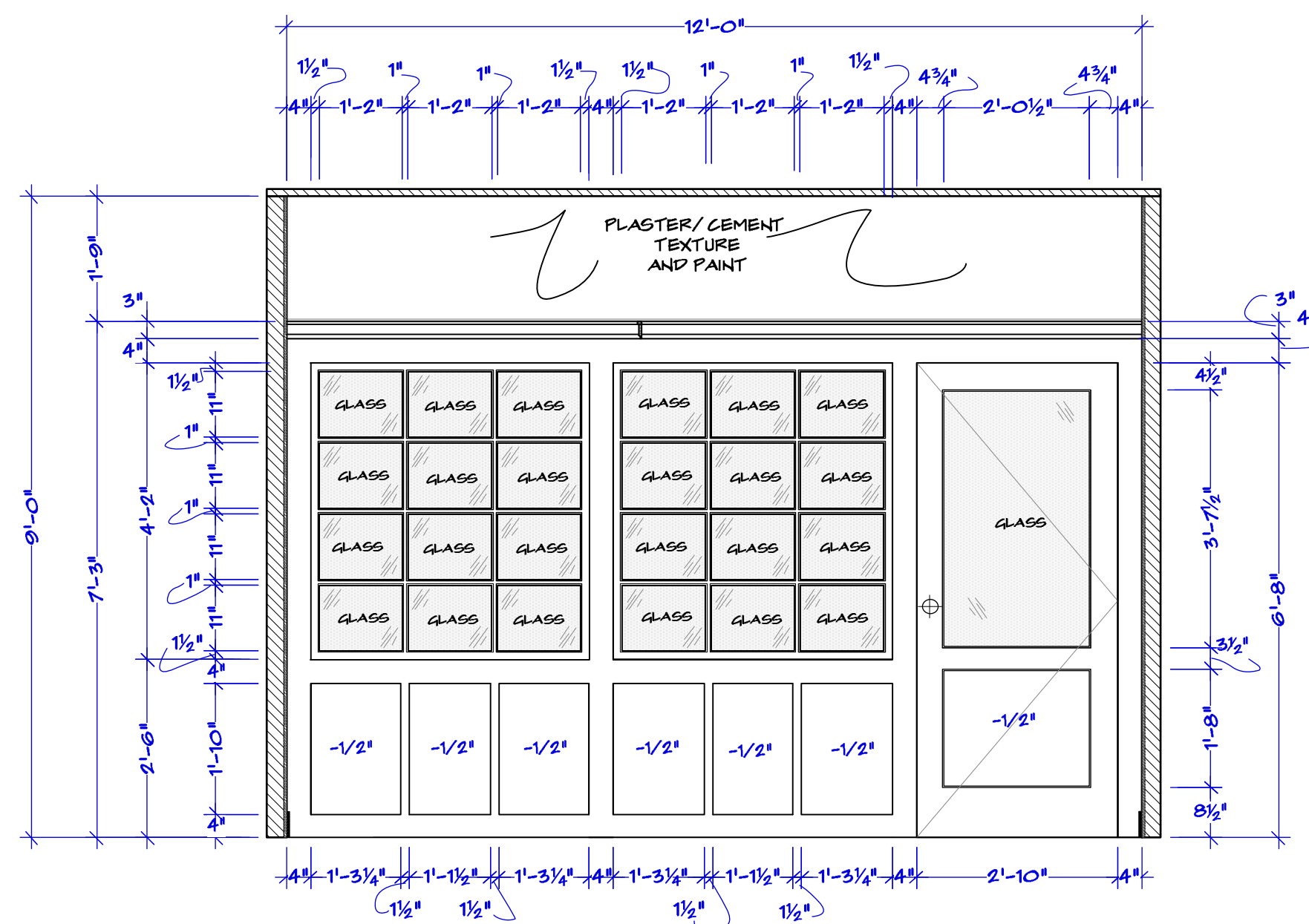
REFERENCE



REFERENCE PLAN
SCALE: 1/4" = 1'-0"

TRUE SIZE SCALE CHECK
3" 2" 1" 0

105_259_Concentration Camp Medical Off_Elevations.vwr

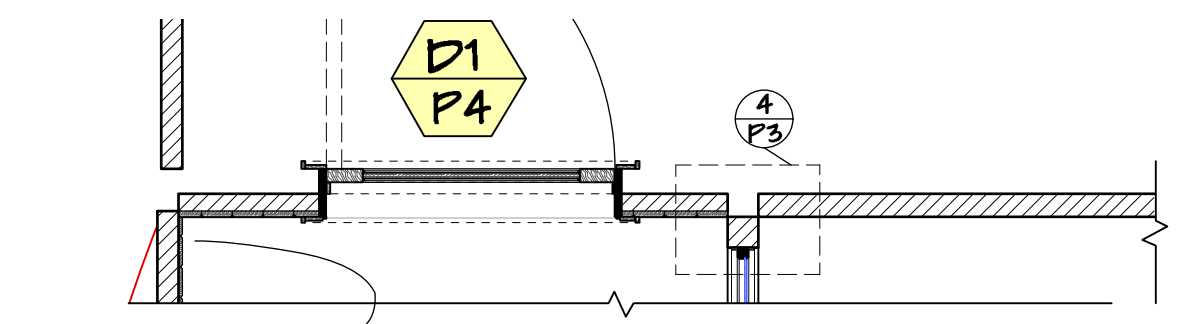
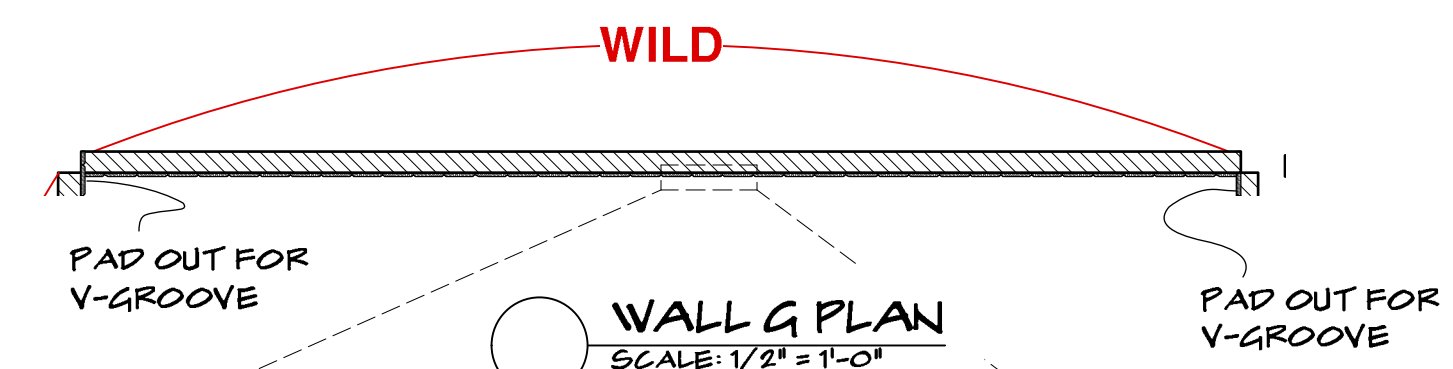
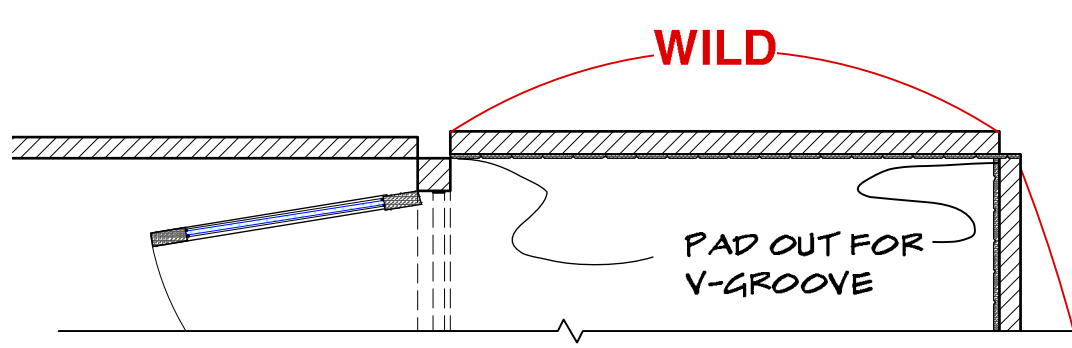
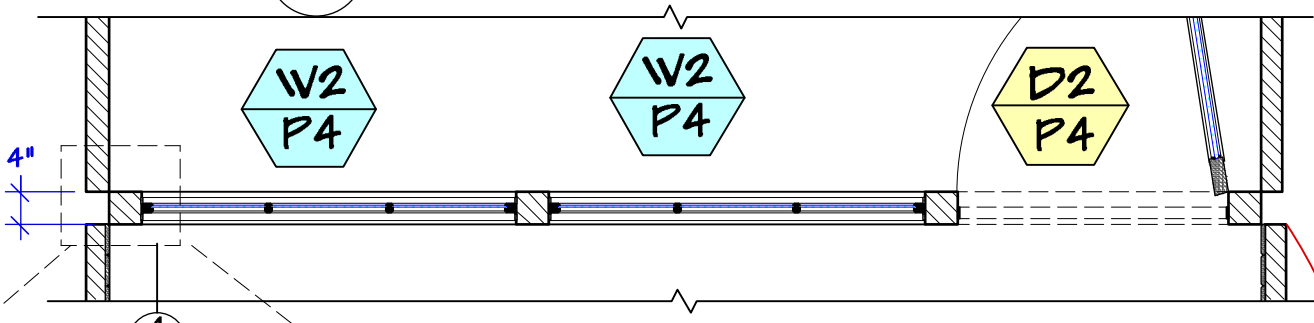


E FOYER SIDE PARTITION
SCALE: 1/2" = 1'-0"

F FOYER WALL
SCALE: 1/2" = 1'-0"

G WALL H ELEVATION
SCALE: 1/2" = 1'-0"

H ENTRANCE ELEVATION
SCALE: 1/2" = 1'-0"

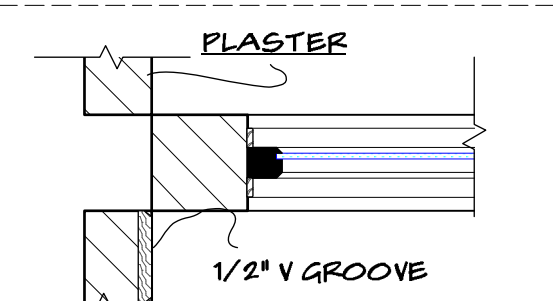


I FOYER SIDE PARTITION PLAN
SCALE: 1/2" = 1'-0"

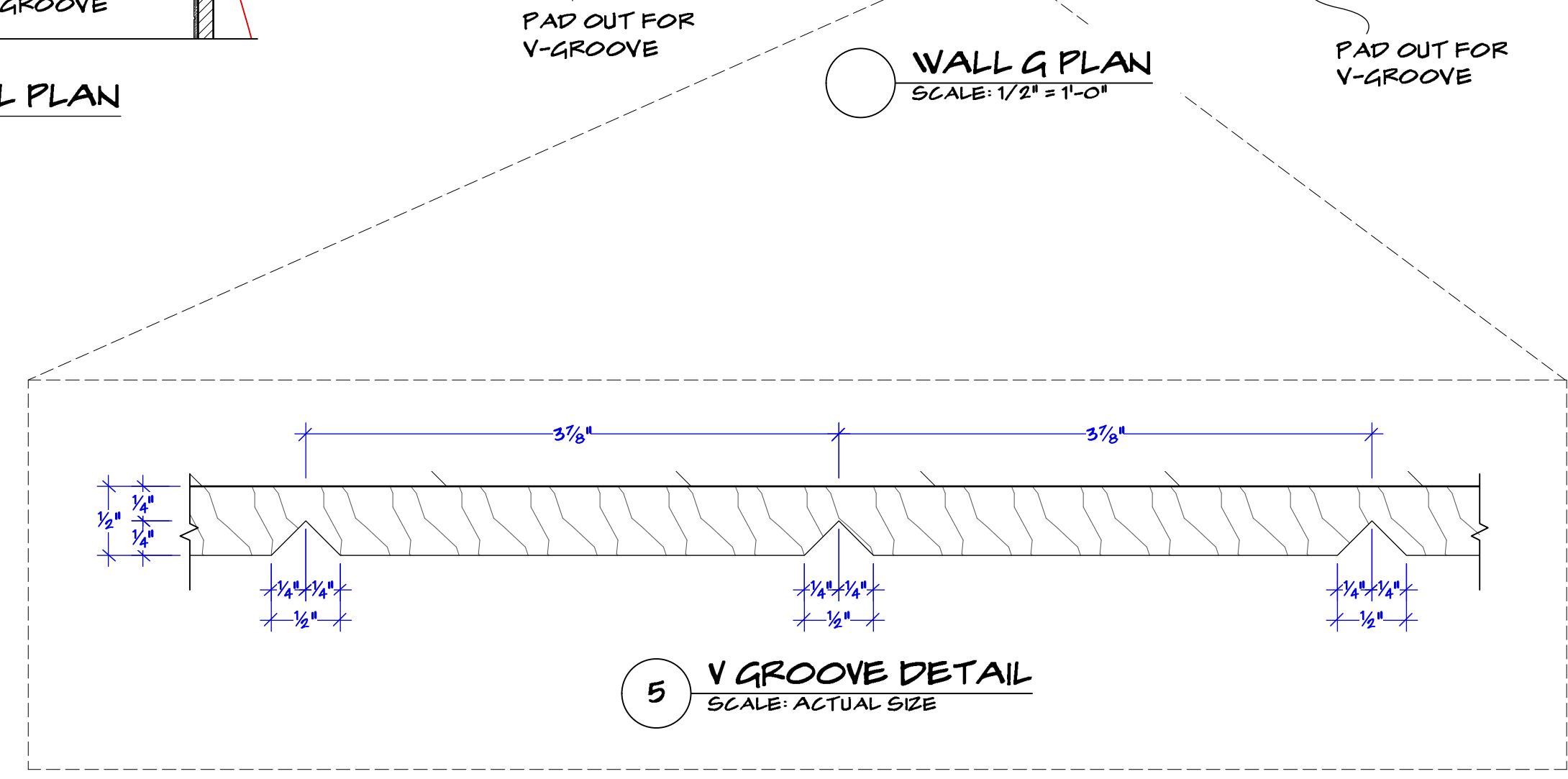
J FOYER F WALL PLAN
SCALE: 1/2" = 1'-0"

K WALL G PLAN
SCALE: 1/2" = 1'-0"

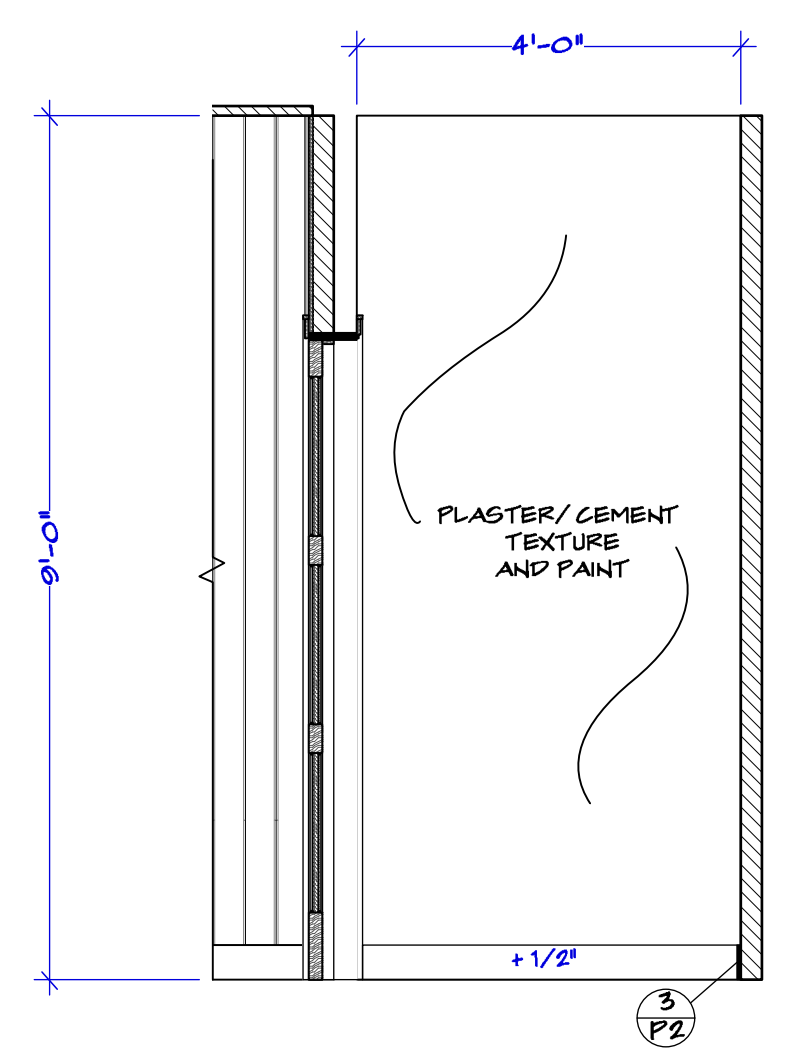
L ENTRANCE PLAN
SCALE: 1/2" = 1'-0"



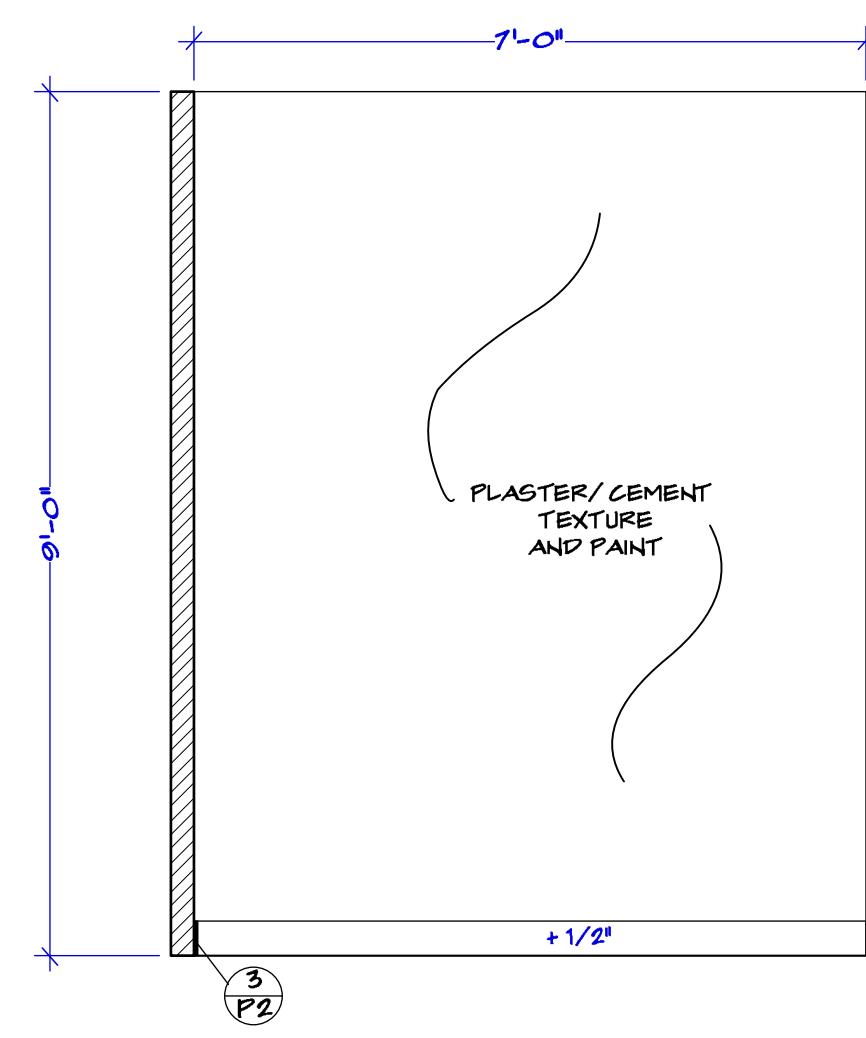
4 V-GROOVE PAD OUT
SCALE: 1 1/2" = 1'-0"



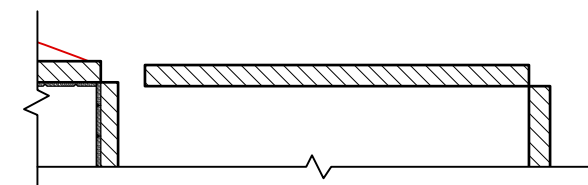
5 V-GROOVE DETAIL
SCALE: ACTUAL SIZE



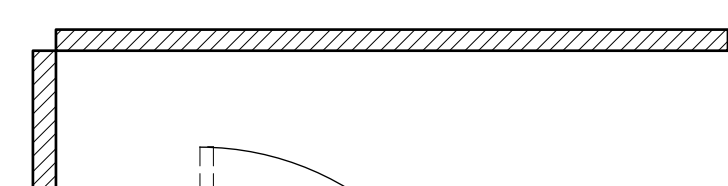
I BACKING WALL I
SCALE: 1/2" = 1'-0"



J BACKING WALL J
SCALE: 1/2" = 1'-0"



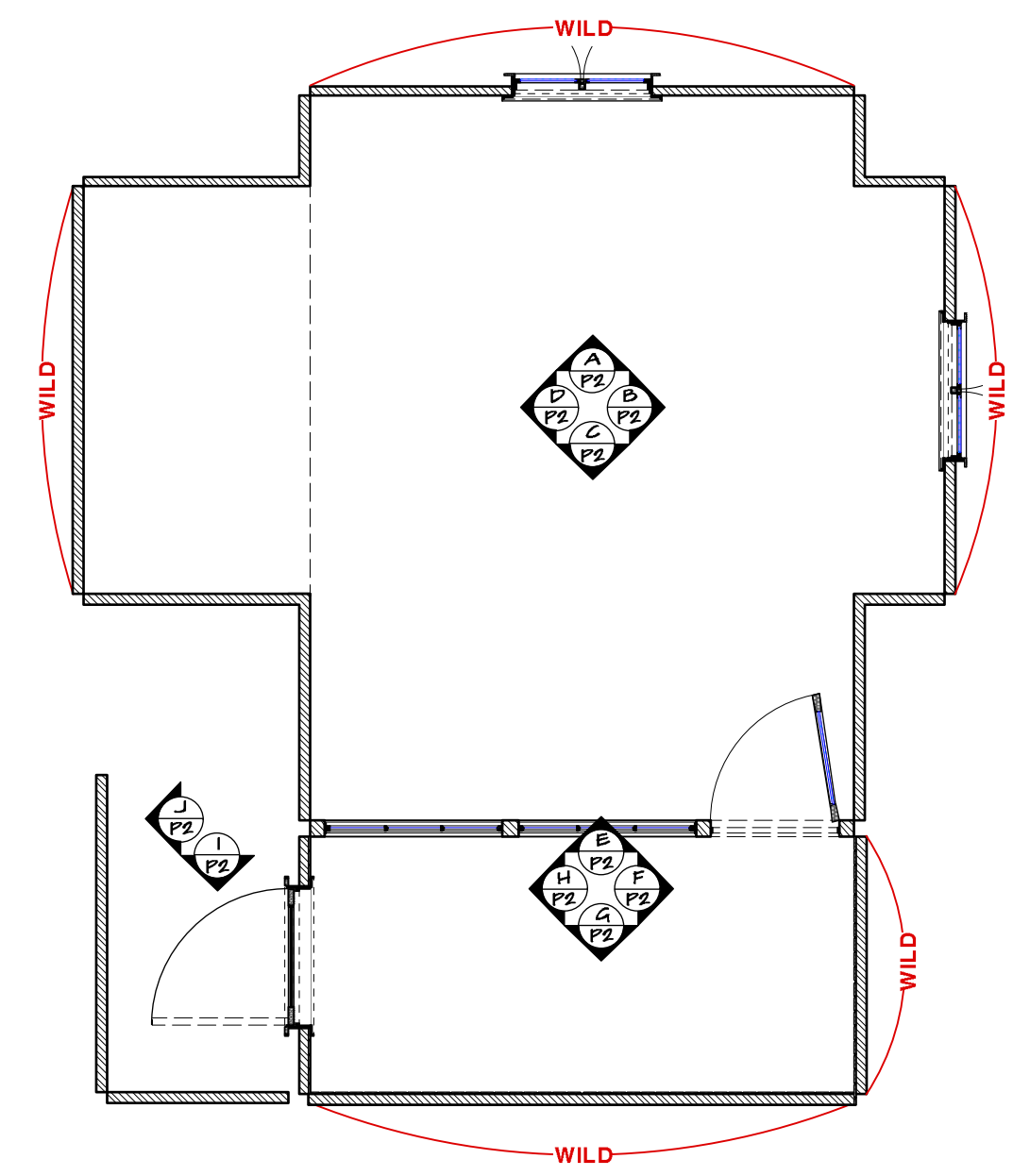
I WALL I PLAN
SCALE: 1/2" = 1'-0"



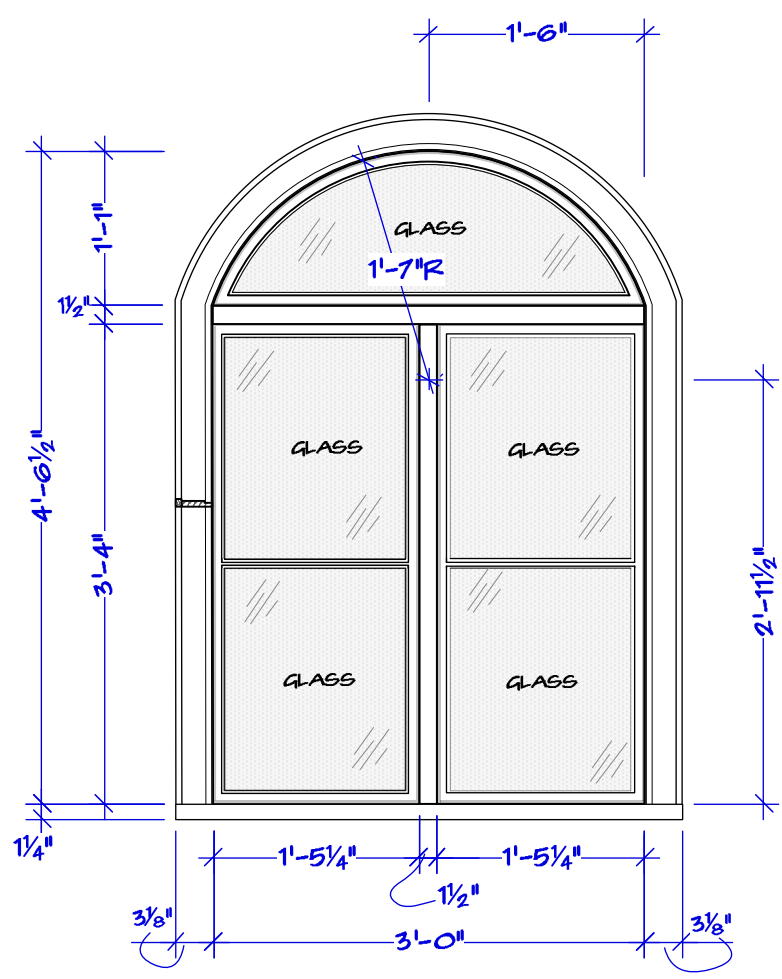
J WALL J PLAN
SCALE: 1/2" = 1'-0"



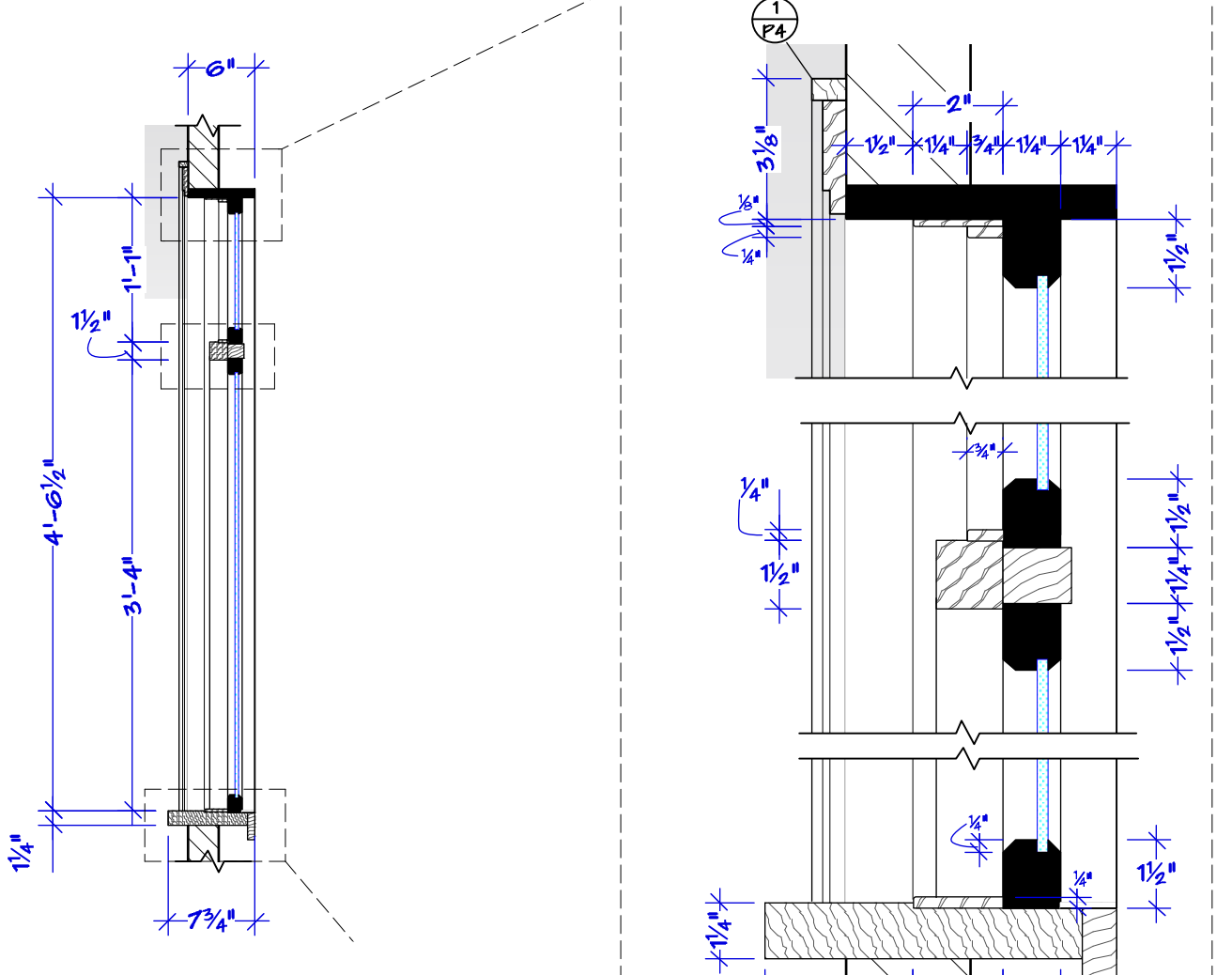
REFERENCE IMAGES



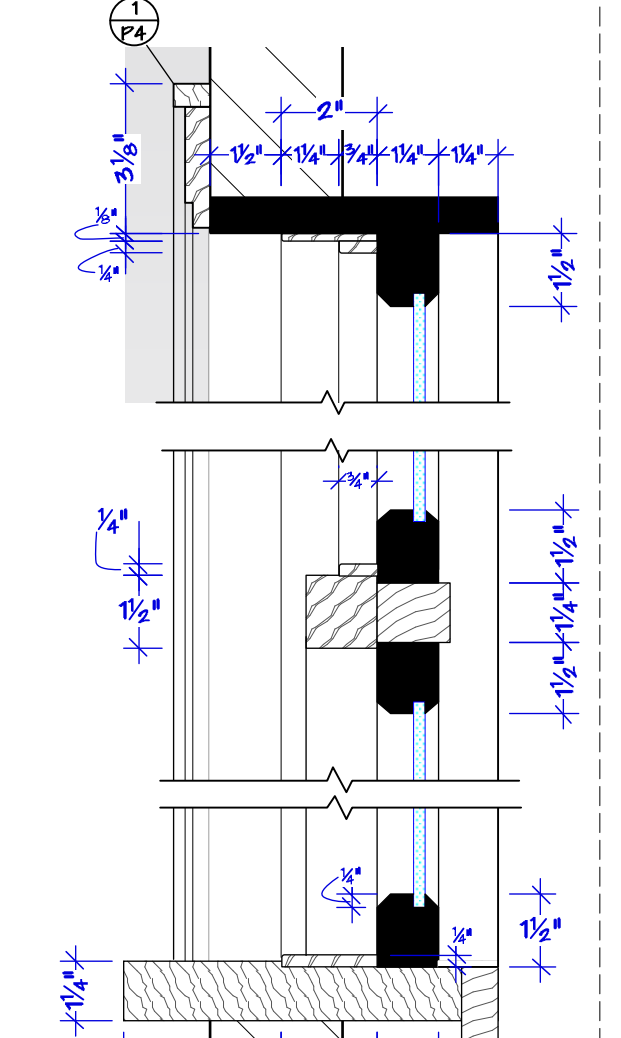
REFERENCE PLAN
SCALE: 1/4" = 1'-0"



W1 WINDOW 1
SCALE: 3/4" = 1'-0"



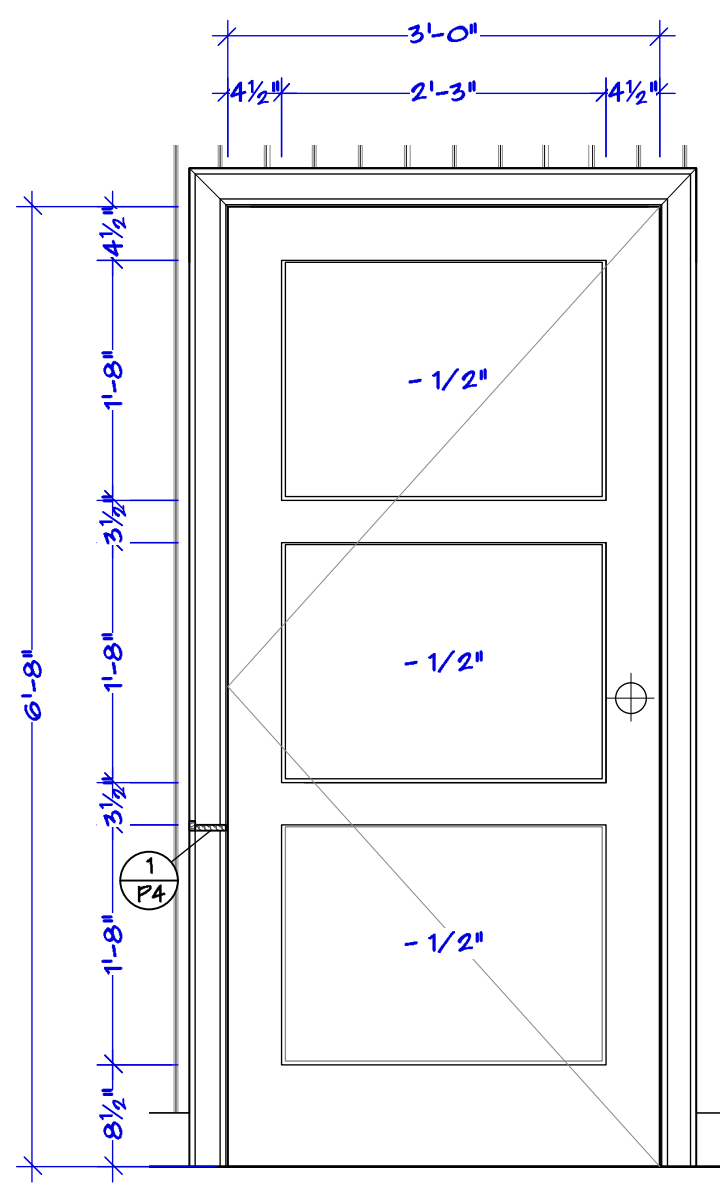
SECTION @ CENTER
SCALE: 3/4" = 1'-0"



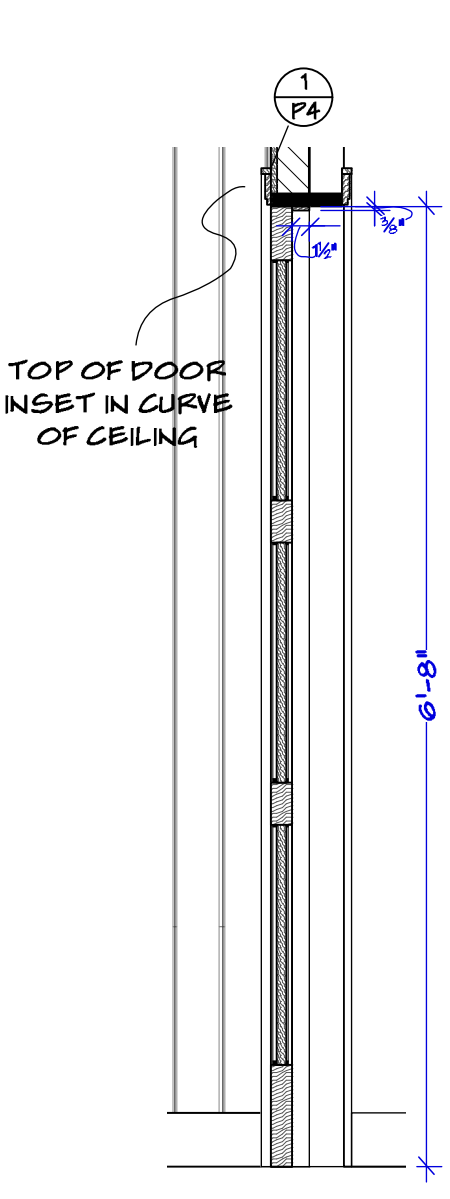
SECTION DETAIL
SCALE: 3" = 1'-0"



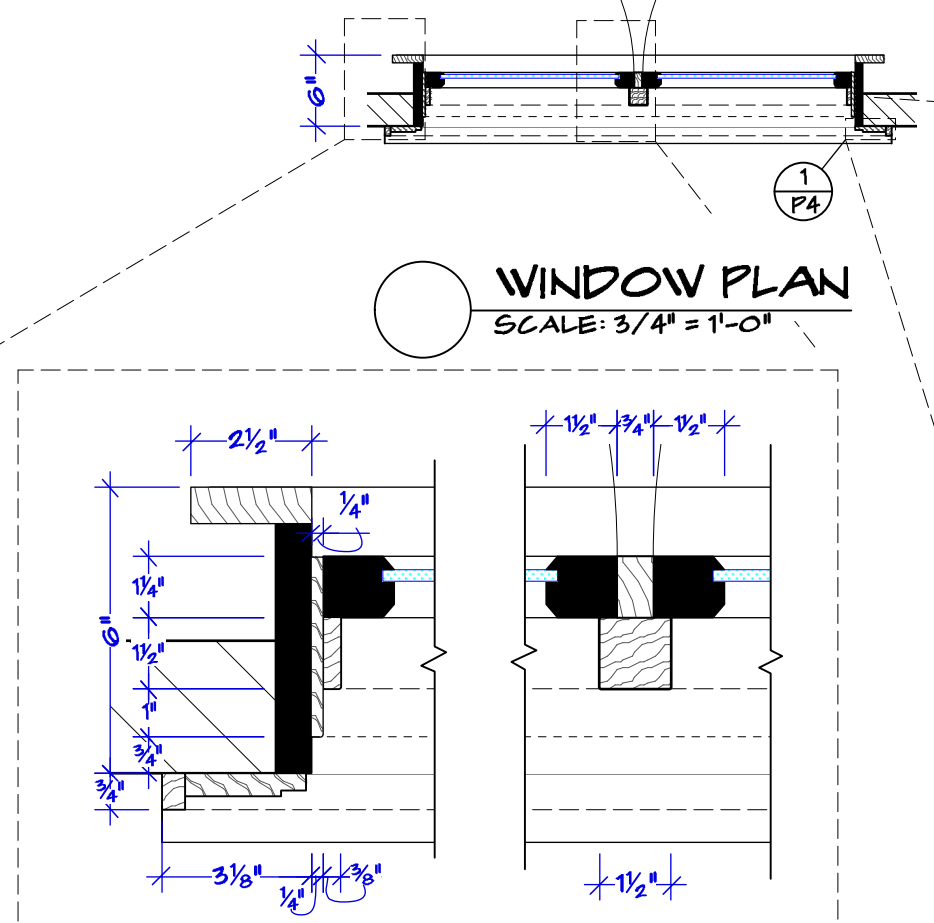
WINDOW FRAME REFERENCE



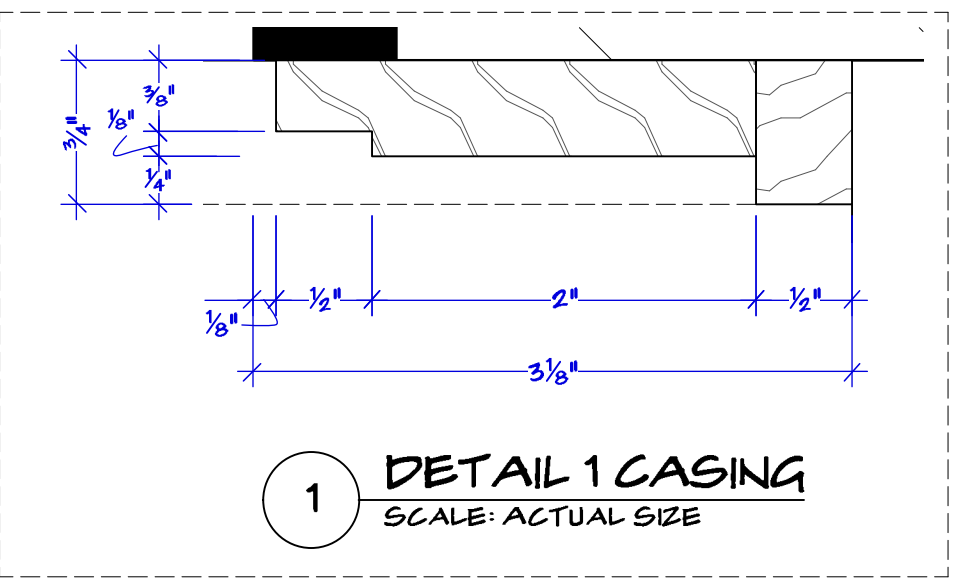
D1 DOOR 1
SCALE: 3/4" = 1'-0"



DOOR 1 SECTION
SCALE: 3/4" = 1'-0"

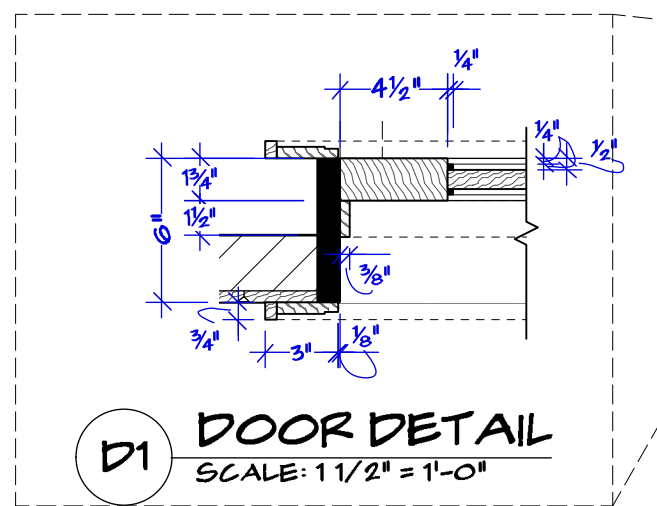


WINDOW PLAN
SCALE: 3/4" = 1'-0"

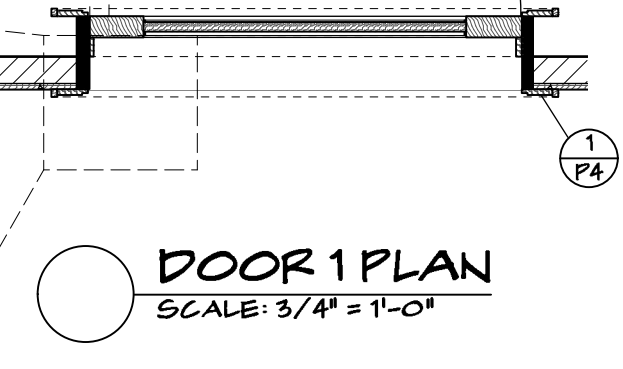


1 DETAIL 1 CASING
SCALE: ACTUAL SIZE

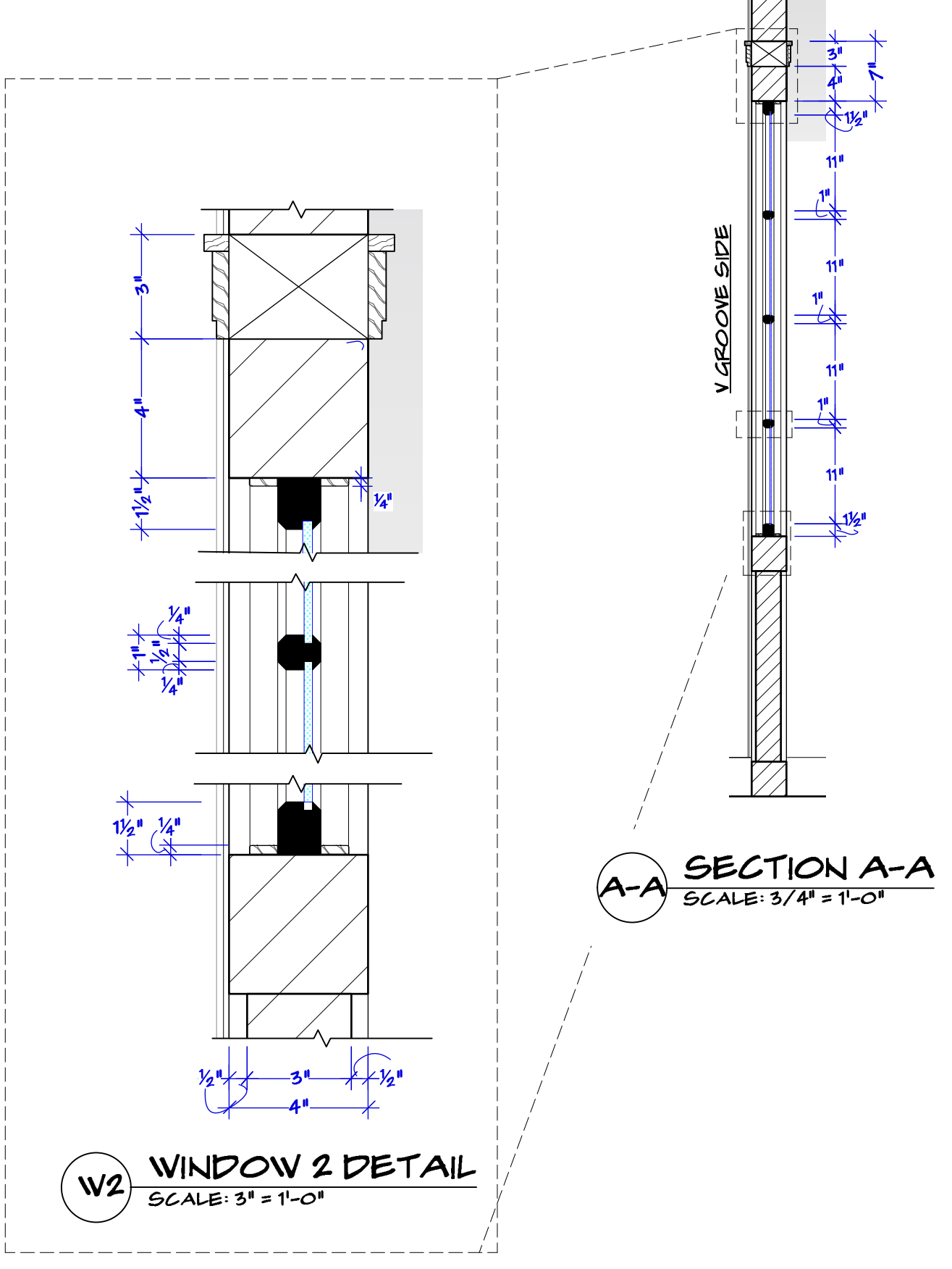
W1 WINDOW 1 PLAN DETAIL
SCALE: 3" = 1'-0"



D1 DOOR 1 DETAIL
SCALE: 1 1/2" = 1'-0"

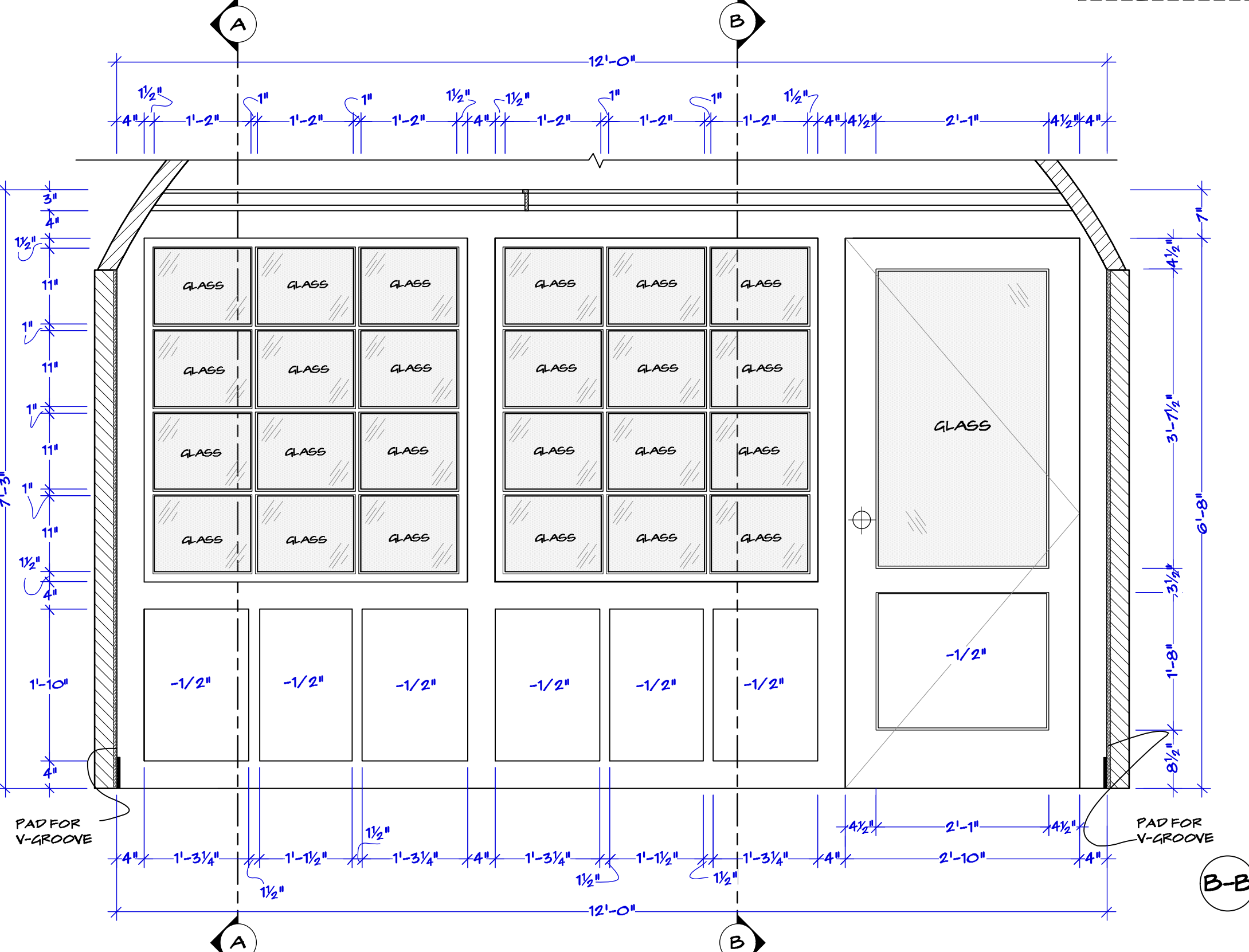


DOOR 1 PLAN
SCALE: 3/4" = 1'-0"



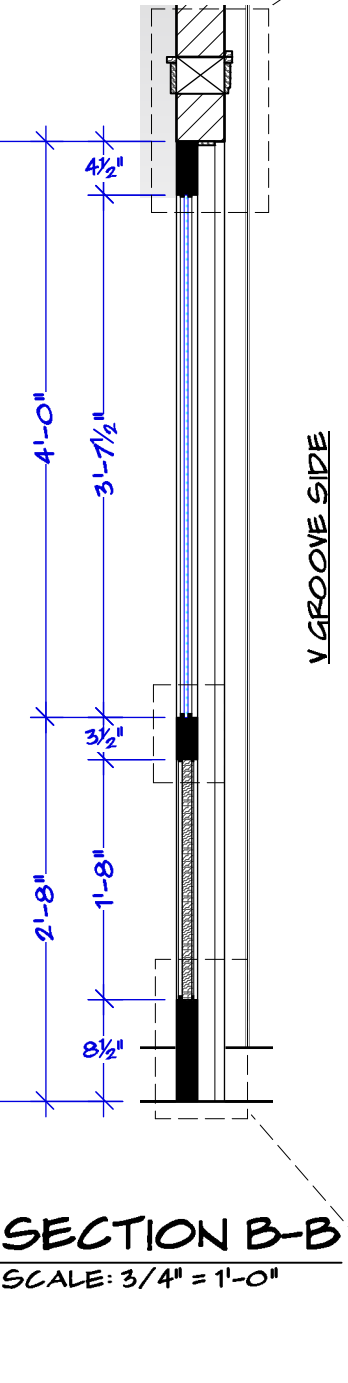
A-A SECTION A-A
SCALE: 3/4" = 1'-0"

W2 WINDOW 2 DETAIL
SCALE: 3" = 1'-0"

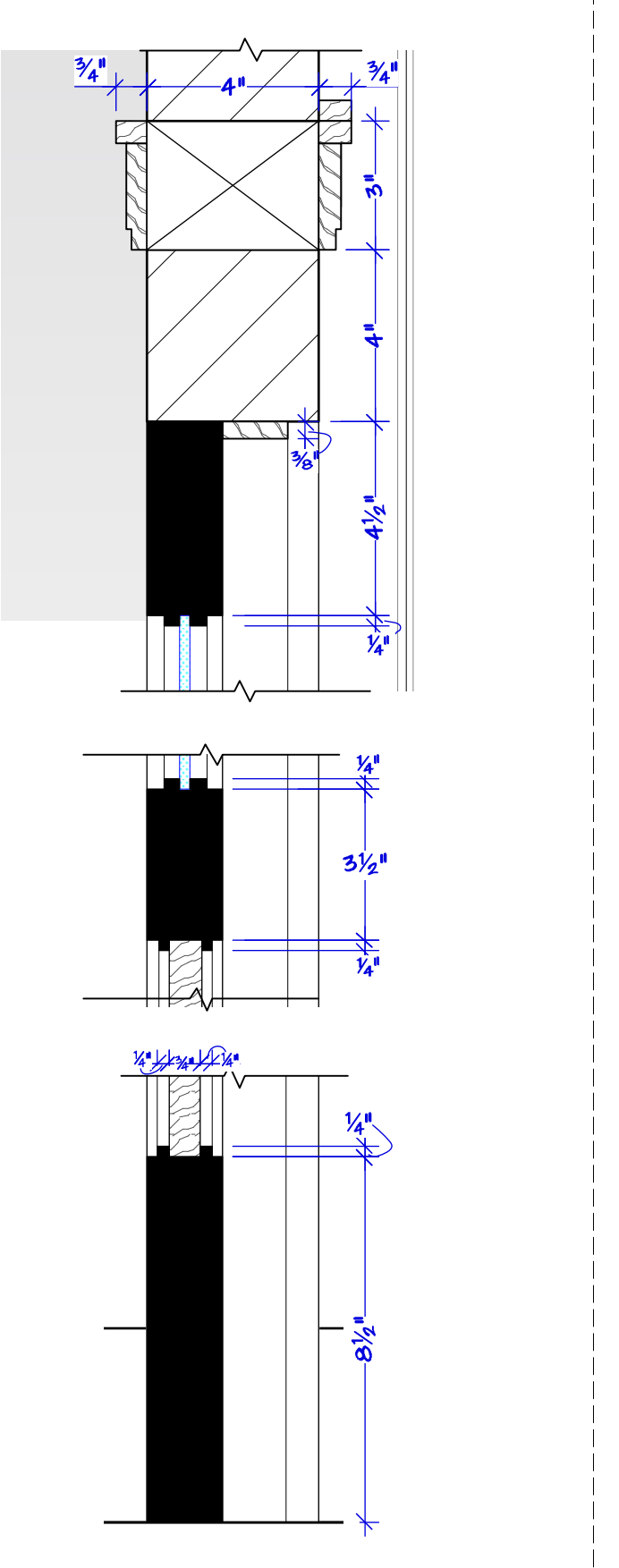


W2 D2 WINDOW DOOR PARTITION DETAIL
SCALE: 3/4" = 1'-0"

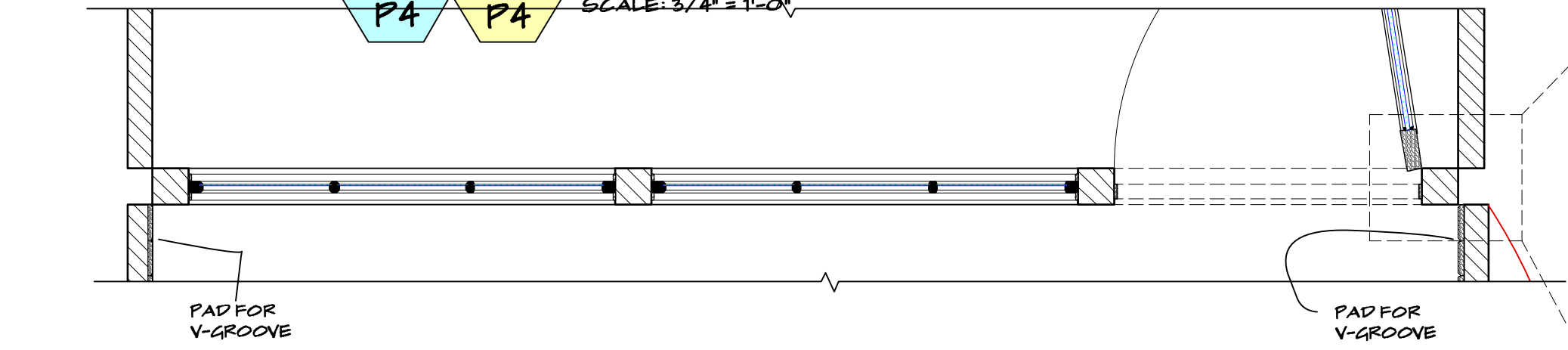
B-B SECTION B-B
SCALE: 3/4" = 1'-0"



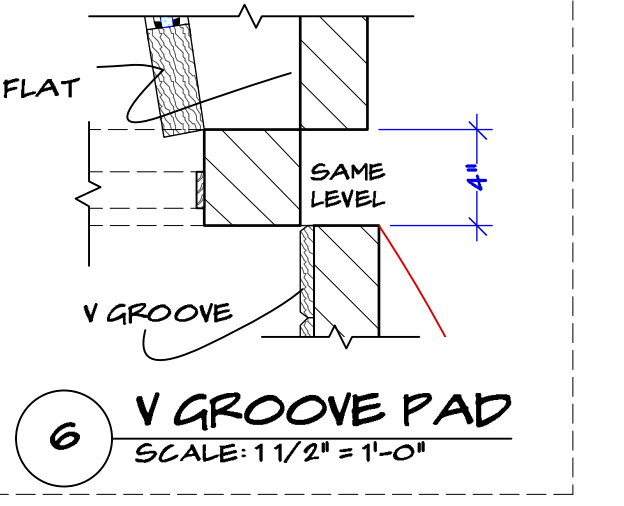
B-B SECTION B-B
SCALE: 3/4" = 1'-0"



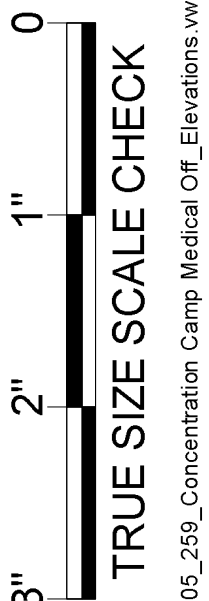
D2 DOOR 2 DETAIL
SCALE: 3" = 1'-0"



PARTITION PLAN
SCALE: 3/4" = 1'-0"



G V-GROOVE PAD
SCALE: 1 1/2" = 1'-0"



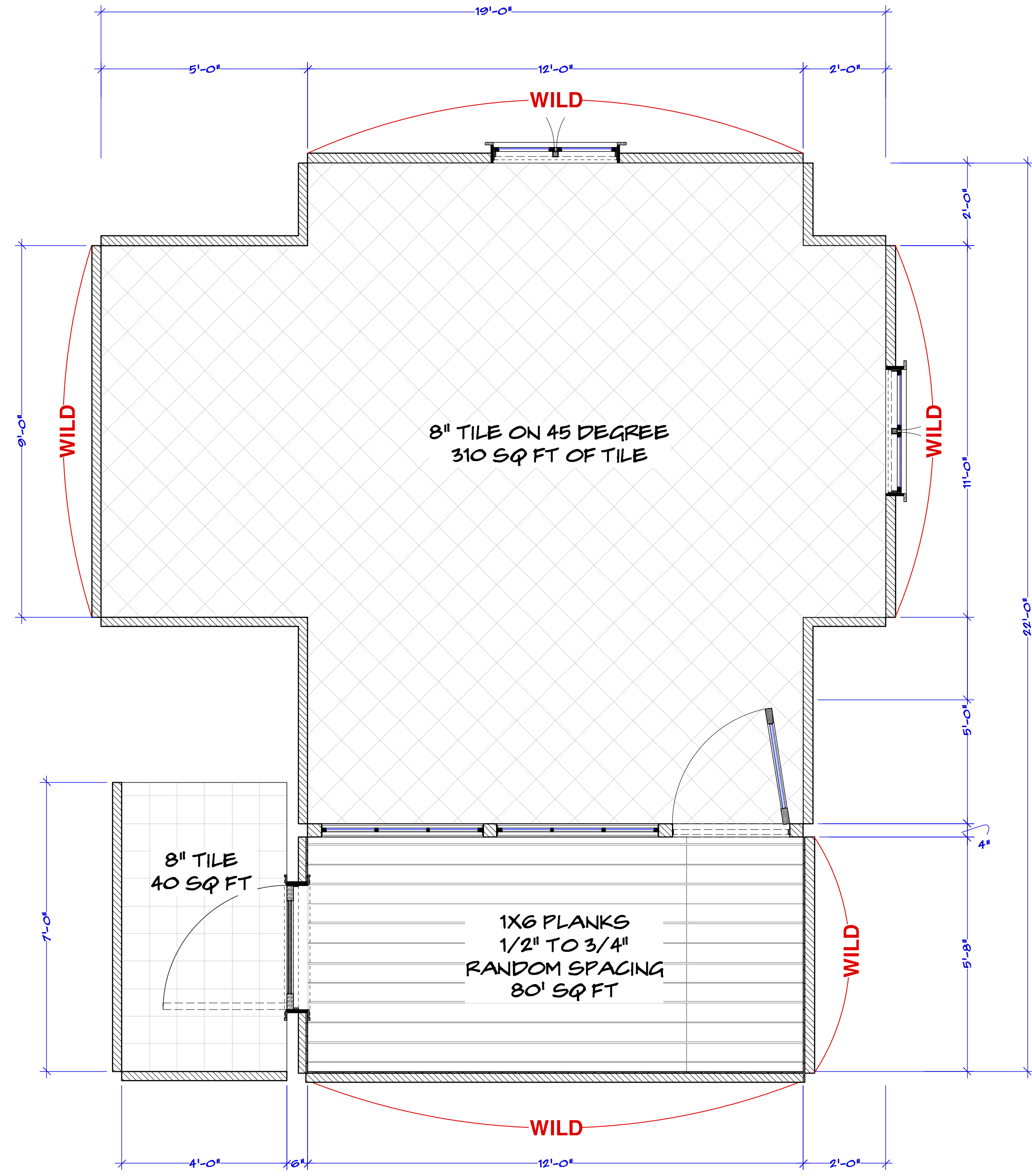
105_259_Concentration Camp Medical Office Elevations.vsw



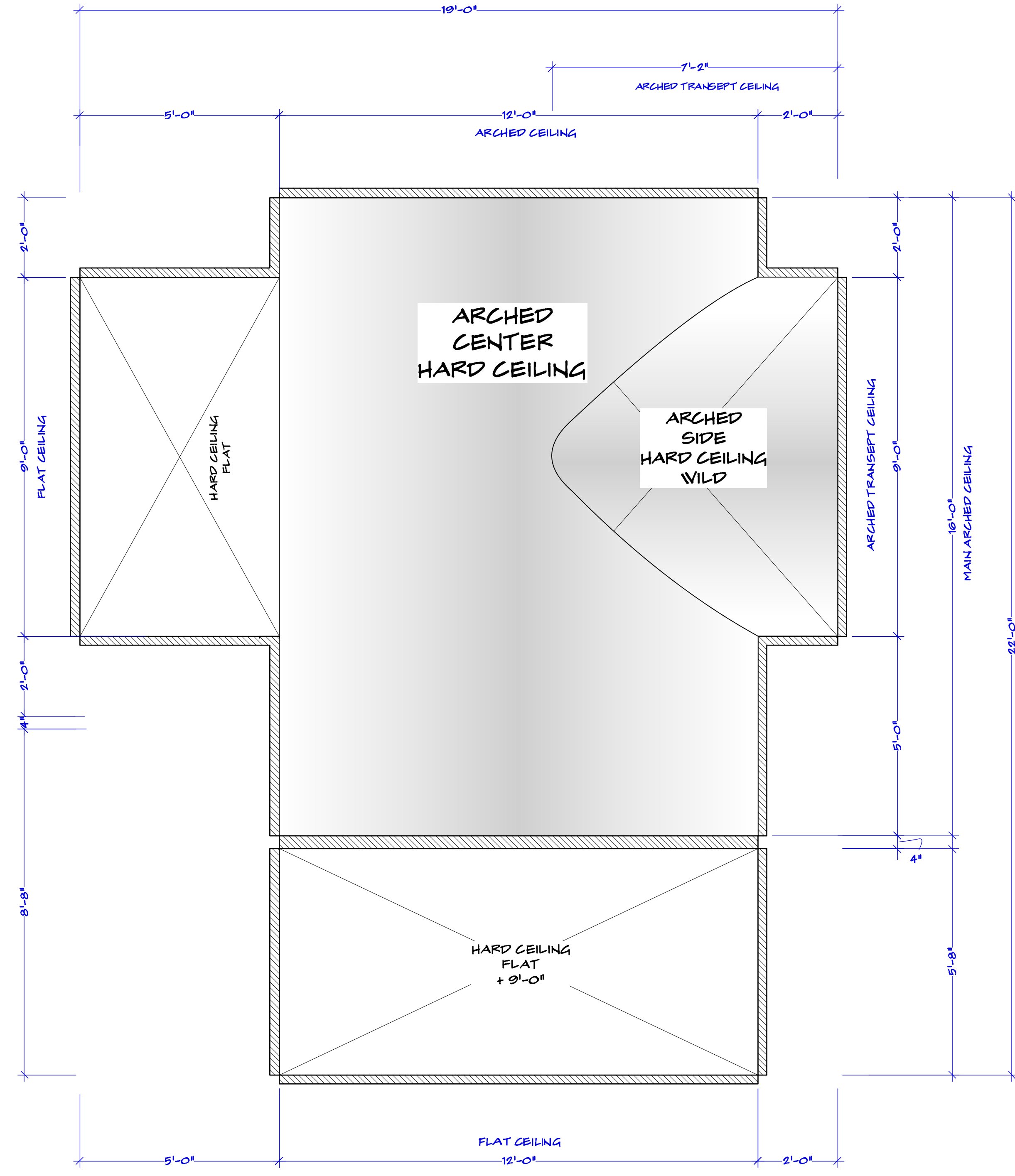
Exec Producer: NIKKI TOSCANO
Line Producer: BILL SELL
Address: STEINER STUDIO 15 WASHINGTON AVE
Prod. Designer: CURT BEECH
Set Decorator: SUSAN MARSHAL
Producer: JERRY KUPFER
UPM: BILL SELL
Art Director: MARCI MUDD
Const. Coordinator: NILES NORTON

Set Name & Description:
CONCENTRATION CAMP MED OFFICE DETAILS
Director: VARIOUS
Location: **STAGE**

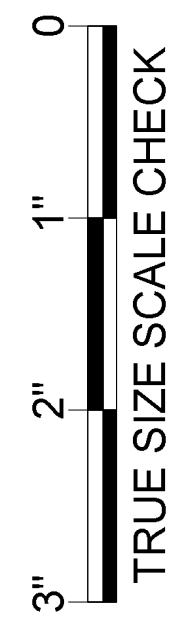
Episode: **105**
Set #: **259**
Scale: **NOTED**
Drawing Date: **5/31/2019**
Shot Date: **XXXX/2019**
Drawn by: **M Fahrer**
Sheet No.: **259-04**
Released: **05/31/2019**



FLOOR LAYOUT
SCALE: 1/2" = 1'-0"



REFLECTED CEILING VIEW
SCALE: 1/2" = 1'-0"



TRUE SIZE SCALE CHECK
105_259_Concentration Camp Medical Office Elevations.vwr



Exec Producer: NIKKI TOSCANO
Line Producer: BILL SELL
Address: STEINER STUDIO 15 WASHINGTON AVE
Prod. Designer: CURT BEECH
Set Decorator: SUSAN MARSHAL

Producer: JERRY KUPFER
UPM: BILL SELL
ART Director: MARCI MUDD
Constr. Coordinator: NILES NORTON

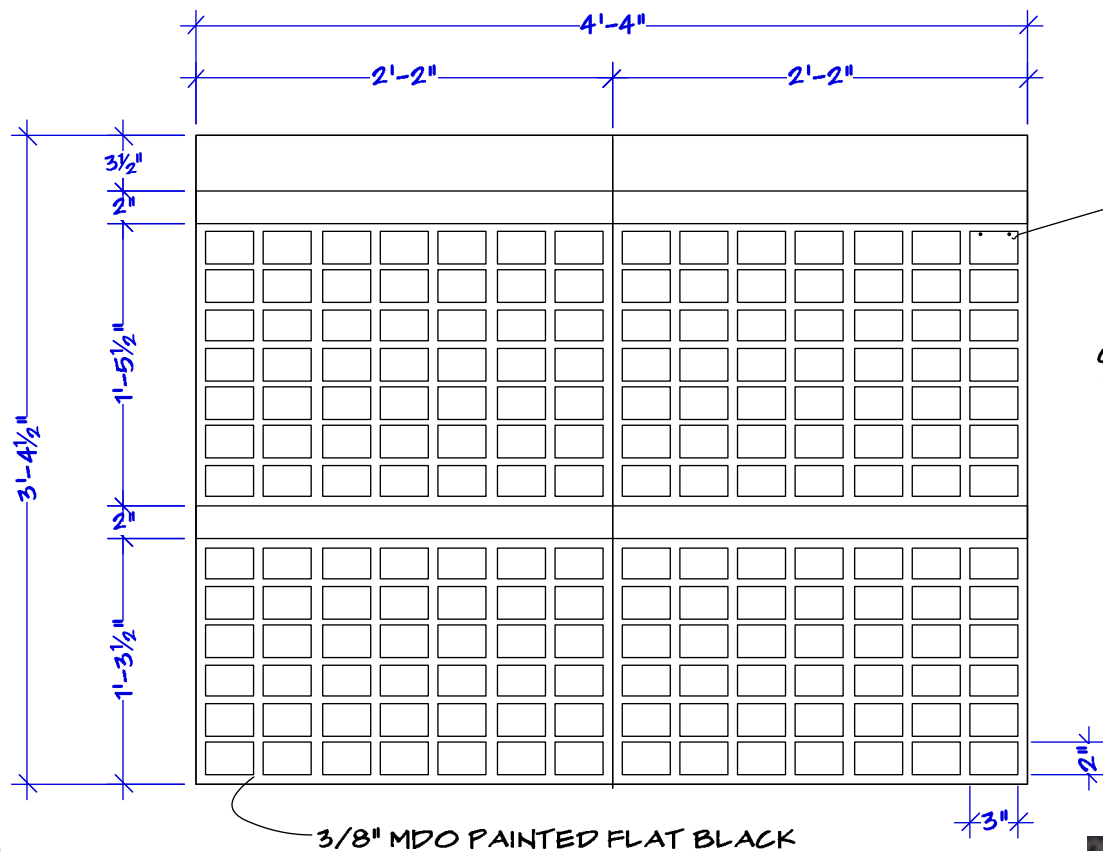
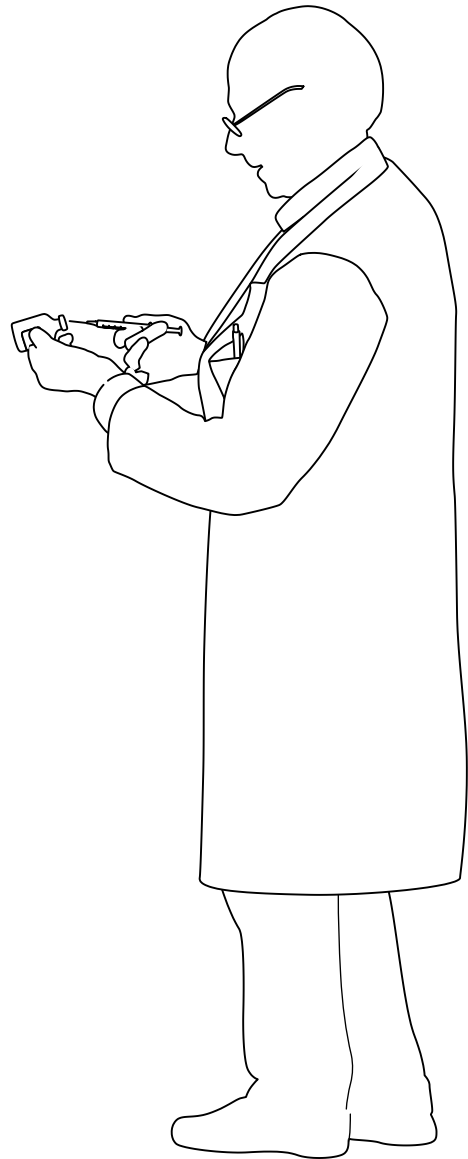
Set Name & Description:
CONCENTRATION CAMP MED OFFICE CEILING FLOOR

Director: VARIOUS
Location: **STAGE**

Episode: **105**
Set #: **259**
Scale: **1/2"=1'-0"**

Drawing Date: **5/31/2019**
Shoot Date: **XXXX/2019**
Drawn by: **M Fchrer**
Sheet No.: **259-05**

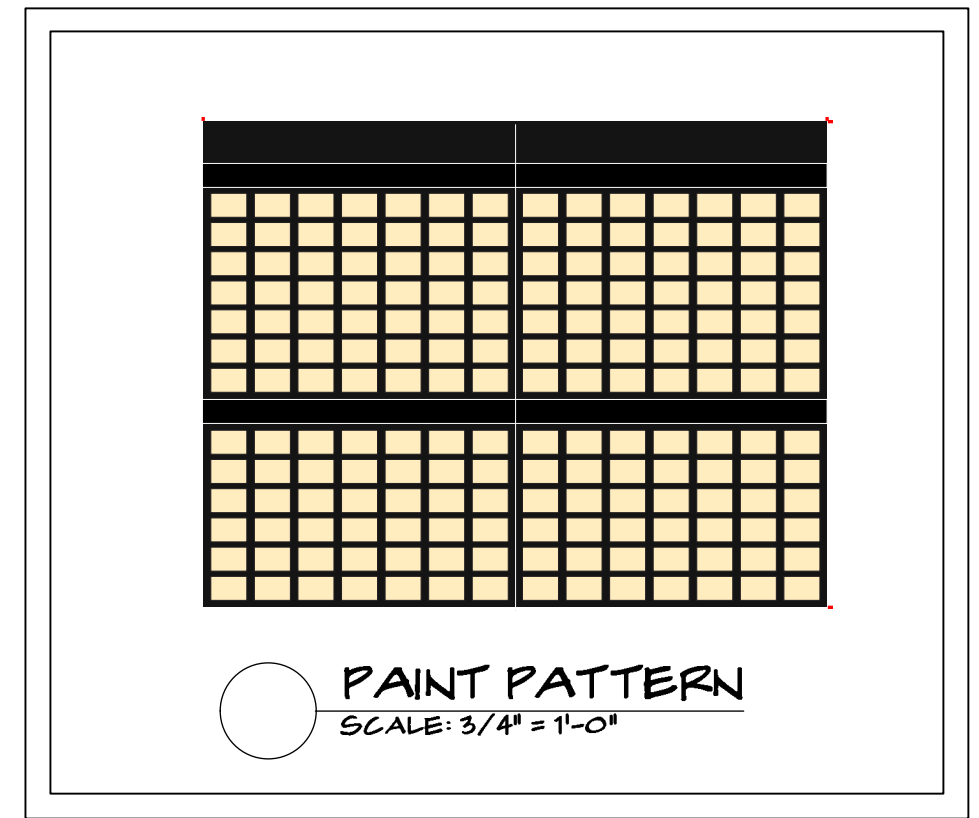
RELEASED 05/31/2019



3/8" MDO PAINTED FLAT BLACK

1 PRISONER BOARD
SCALE: 1" = 1'-0"

NAILS FOR HANGING CARDS SEE RESEARCH BELOW



REFERENCE IMAGE



REFERENCE IMAGE

RELEASED 6/5/2019

	PROD. DESIGNER: CURT BEECH ART DIRECTOR: MARCI MUDD	DRAWING: PRISONER BOARD	SHOOT DATE: 06/12/2019	SET #: 259	DATE DRAWN: 6/5/2019	CONCENTRATION CAMP MEDICAL OFF
	DRAWING BY: M. FAHRER	LOCATION: STEINER STAGE 28	SCALE: NOTED	SCENE #: 11pt, 13pt, 16pt	REVISED: XX/XX/2019	