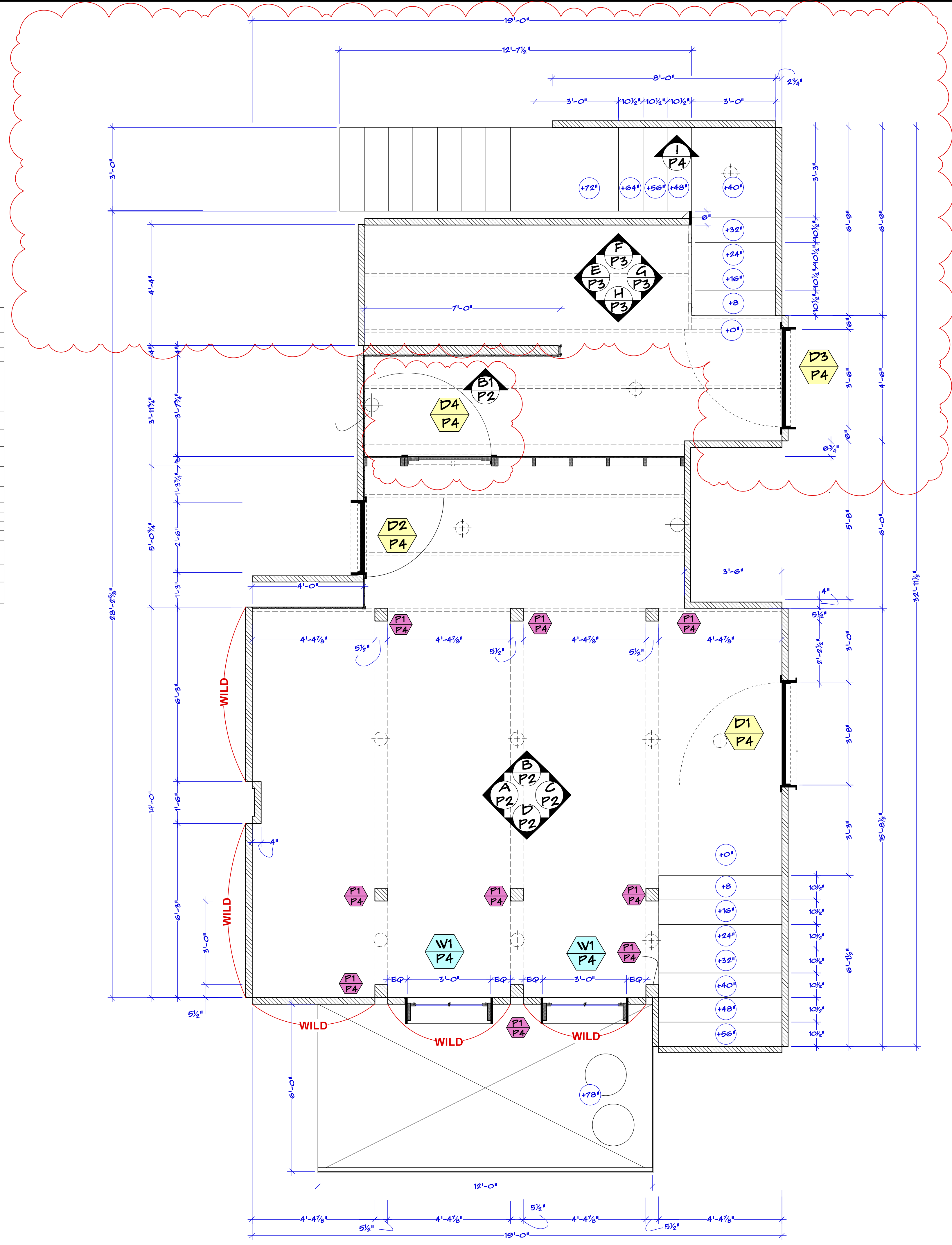
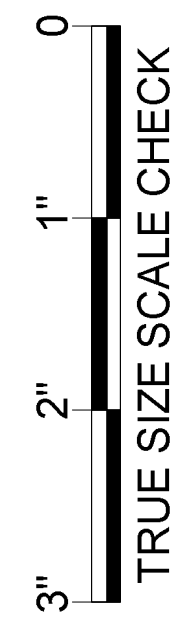


DOOR SCHEDULE				
DOOR NUMBER	D1	D2	D3	D4
QTY	1	1	1	1
TYPE	DUMMY	DUMMY	DUMMY	ENTRANCE
ELEVATION				
DOOR OPENING SIZE	50 X 64	30 X 78	42 X 84	36 X 80
DOOR MATERIAL	METAL	WOOD	METAL	WOOD
FINISH	PAINT	PAINT	PAINT	PAINT
DETAIL SHEET	4	4	4	4
HARDWARE STYLE				
ENTRY	X	X		X
PRIVACY				
PASSAGE				
DUMMY			X	
HARDWARE FINISH	PER SET DEC	PER SET DEC	PER SET DEC	PER SET DEC
HINGE QTY	2	2	2	3
THRESHOLD				

WINDOW SCHEDULE	
WINDOW NUMBER	W1
QTY	2
TYPE	HINGED
ELEVATION	
DOOR OPENING SIZE	30 X 14
DOOR MATERIAL	WOOD
FINISH	PAINTED
DETAIL SHEET	4
HARDWARE STYLE	
HINGED	X
SASH	
CREMONE	
DUMMY	
HARDWARE FINISH	PER SET DEC
WINDOW COVERING	PER SET DEC
GLASS TYPE	CLEAR



TECHNICAL PLAN
SCALE: 1/8" = 1'-0"



TRUE SIZE SCALE CHECK
106 287_Mindy Murray's Apt Basement_Elevations.vwx



**7/09/19 ADDED BASEMENT STAIR SECTION FOR 107
ADDED DOOR D4

REVISED 07/09/2019

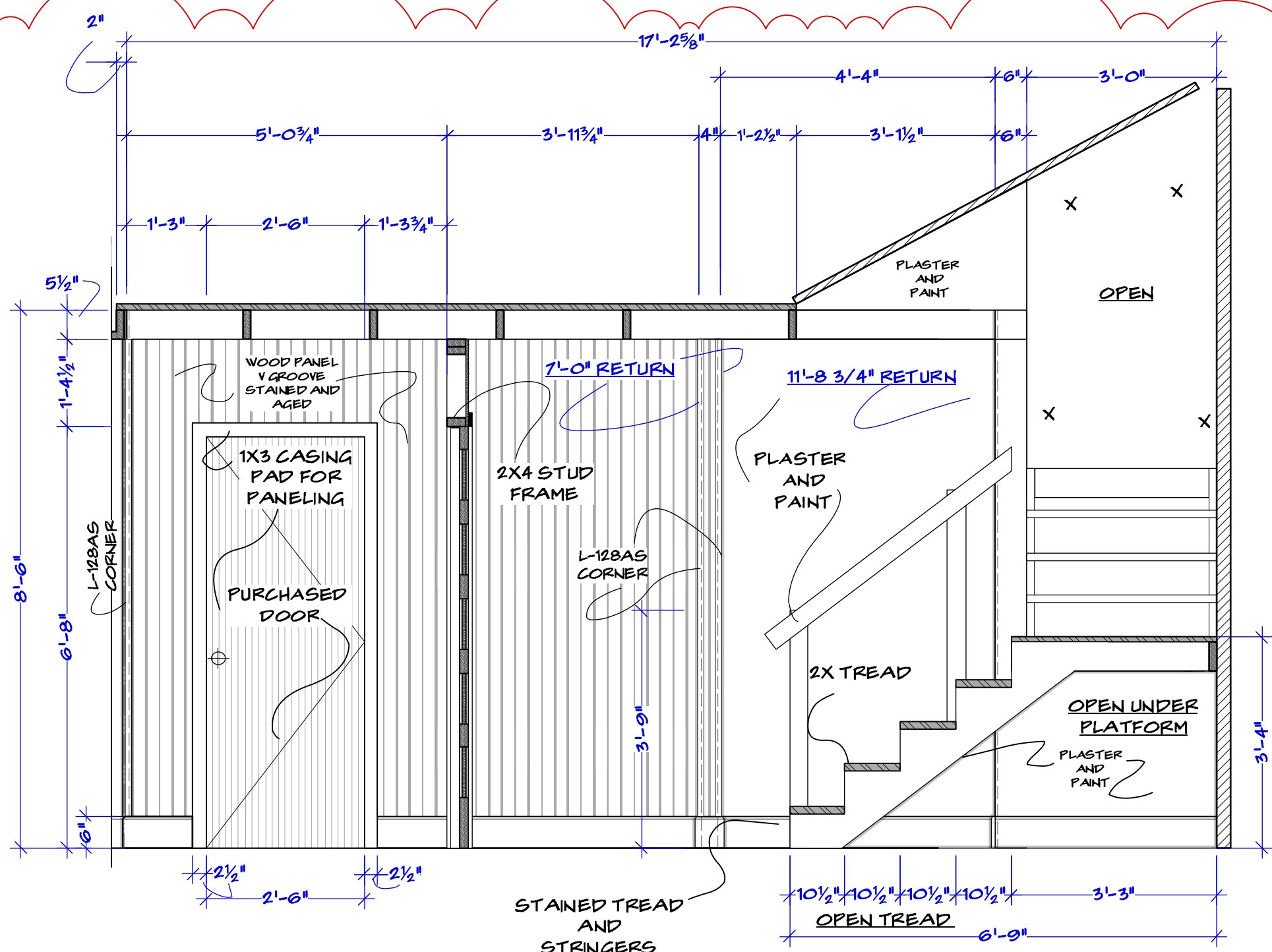
Episode: 106
Set #: 287
Scale: 1/2"=1'-0"

Set Name & Description: MINDY MURRAY'S BASEMENT TECHNICAL PLAN
Director: VARIOUS
Location: STAGE 27

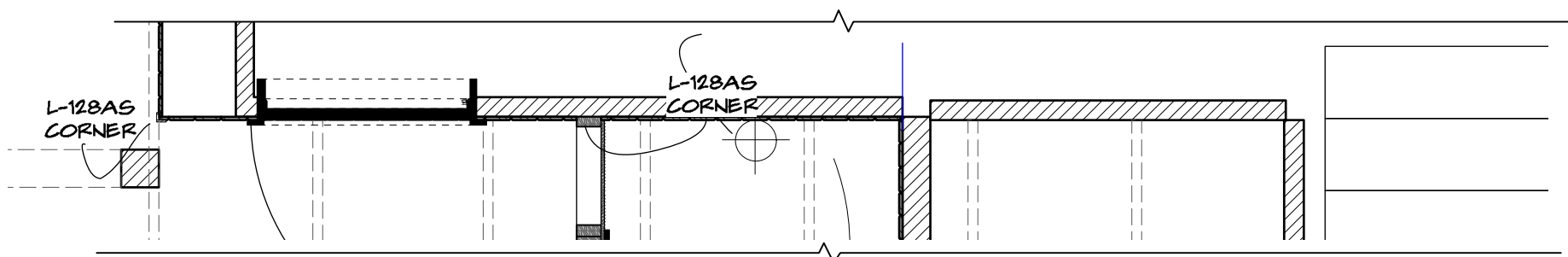
Producer: JERRY KUPFER
UPM: BILL SELL
ART Director: MARCI MUDD
Constr. Coordinator: NILES NORTON

Exec Producer: NIKKI TOSCANO
Line Producer: BILL SELL
Address: STEINER STUDIO 15 WASHINGTON AVE
Prod. Designer: CURT BEECH
Set Decorator: SUSAN MARSHAL

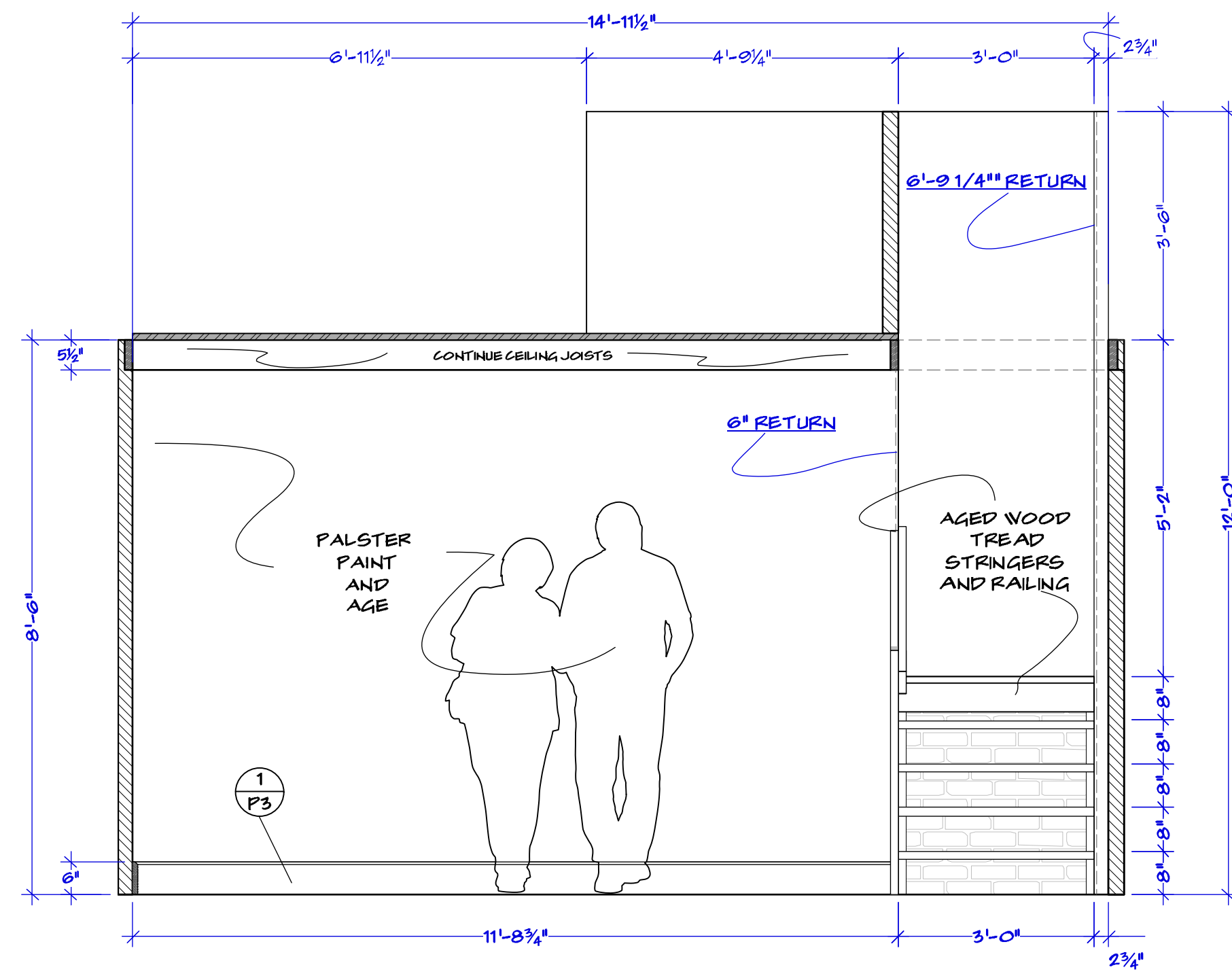
Drawn by: M. FAHRER
7/9/2019
Sheet No.: 287-01
Sheet Date: XX/XX/2019



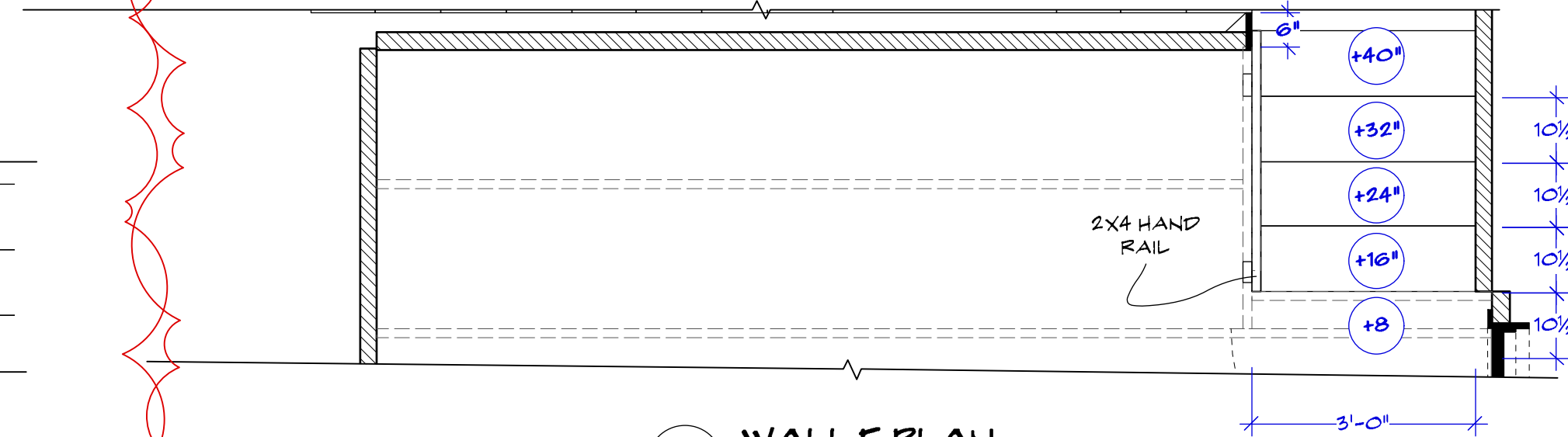
E WALL E ELEVATION
SCALE: 1/2" = 1'-0"



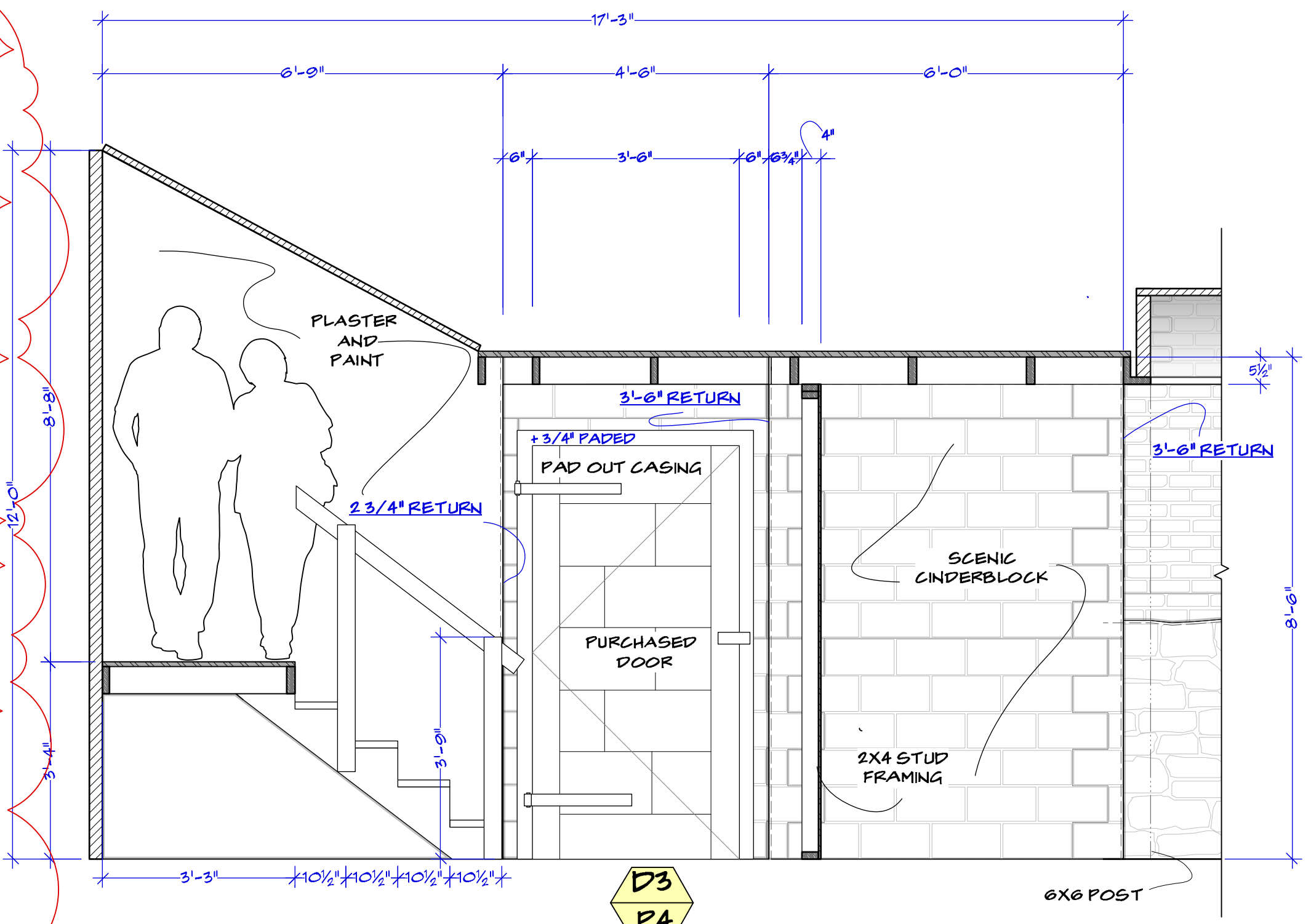
WALL E PLAN
SCALE: 1/2" = 1'-0"



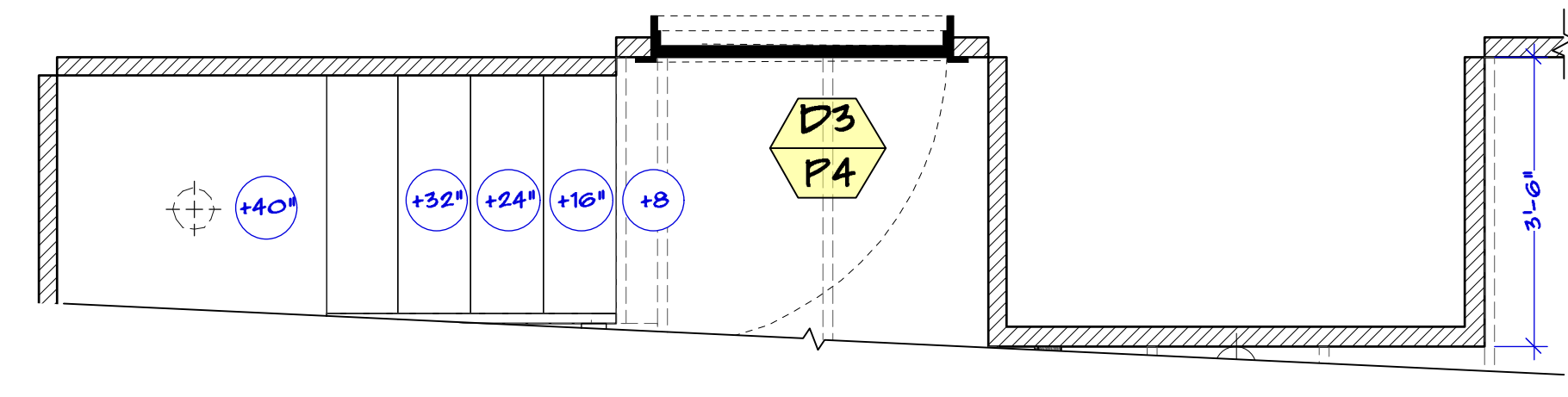
F WALL F FRONT VIEW
SCALE: 1/2" = 1'-0"



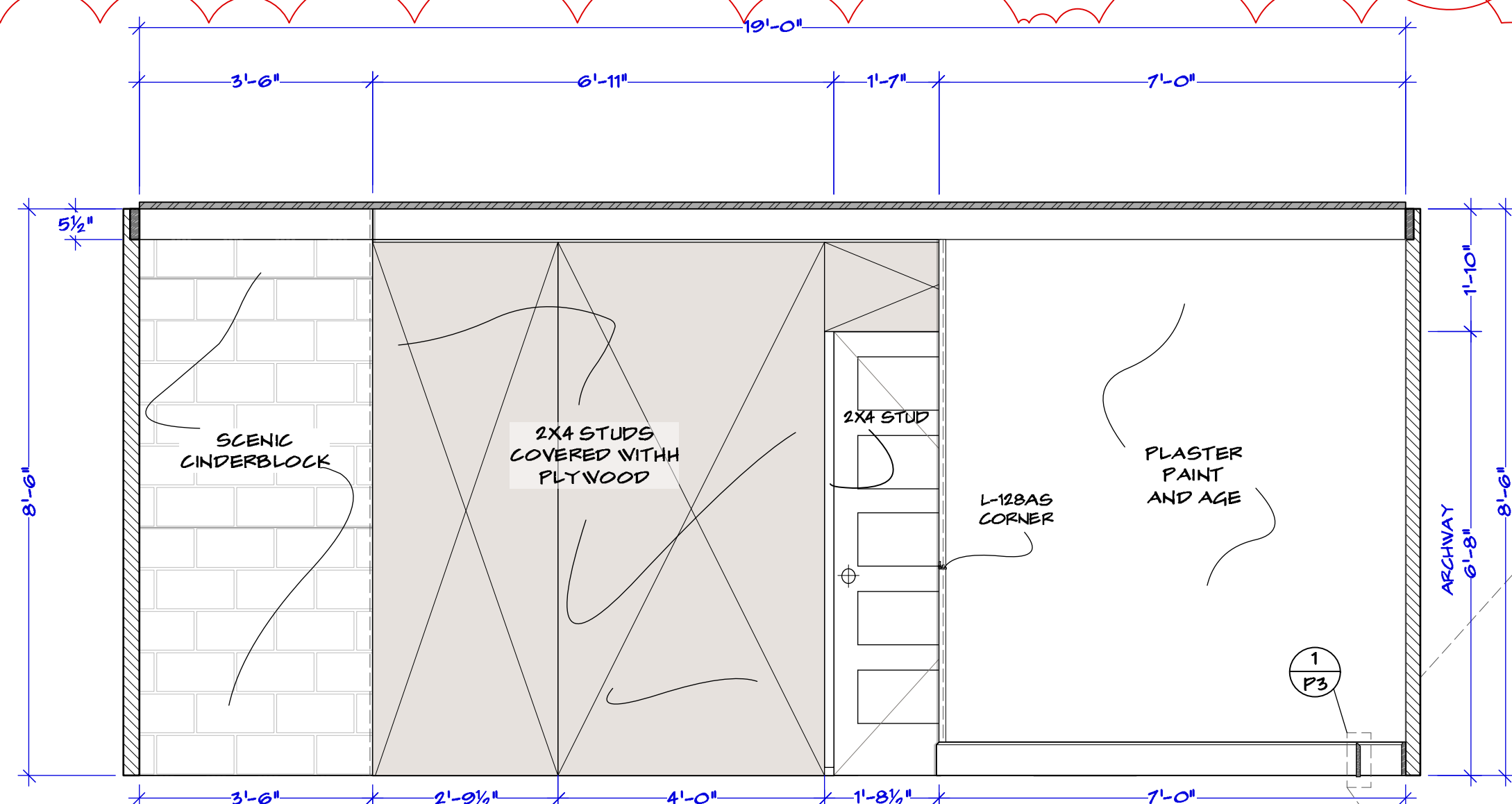
WALL F PLAN
SCALE: 1/2" = 1'-0"



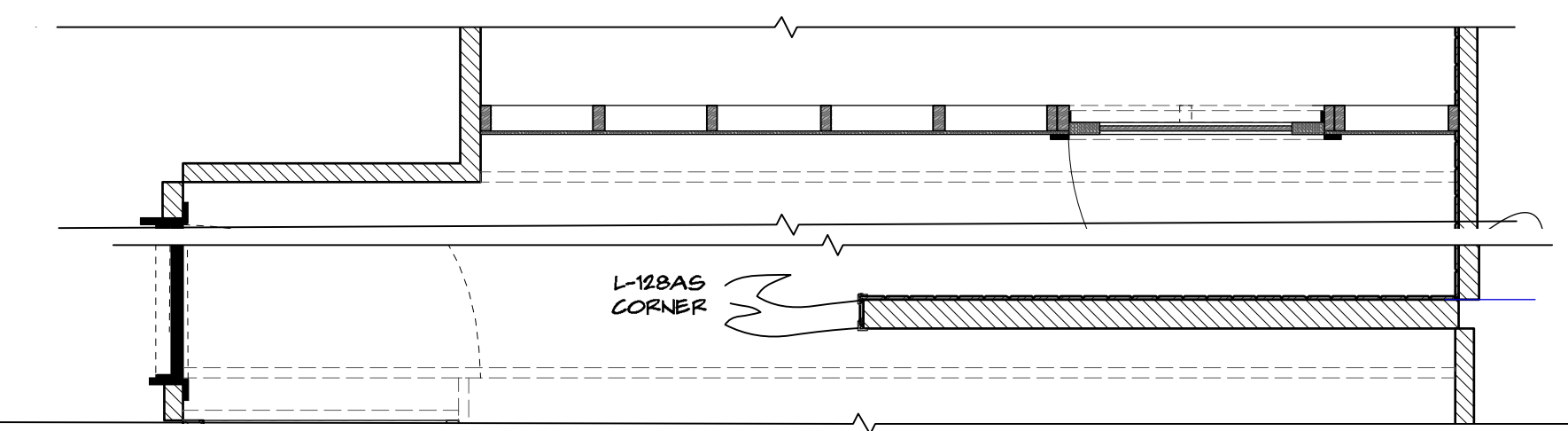
G WALL G ELEVATION
SCALE: 1/2" = 1'-0"



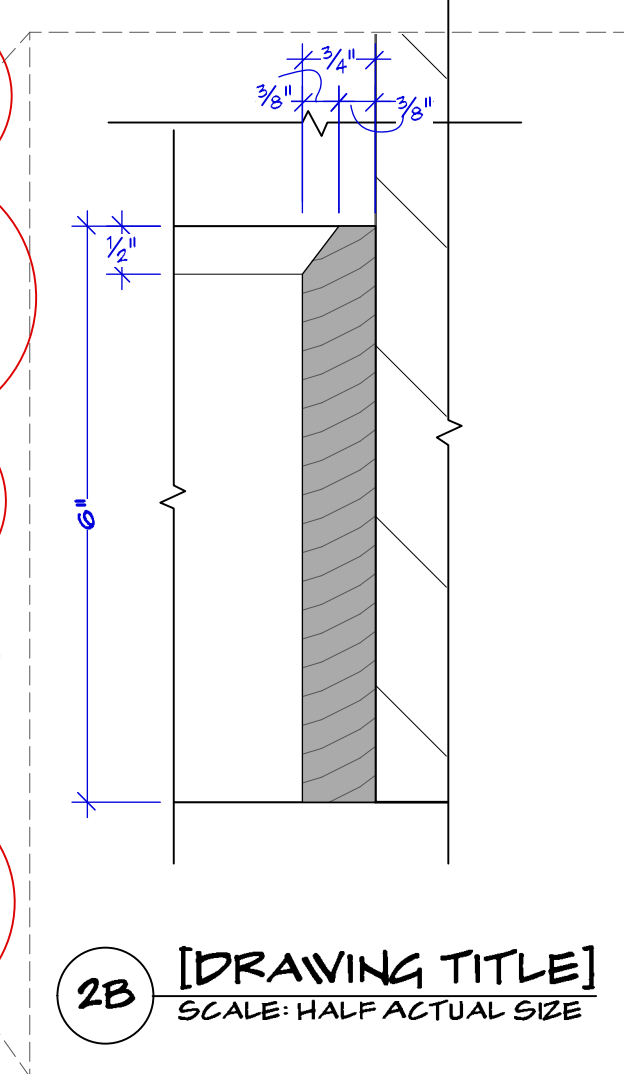
WALL G PLAN
SCALE: 1/2" = 1'-0"



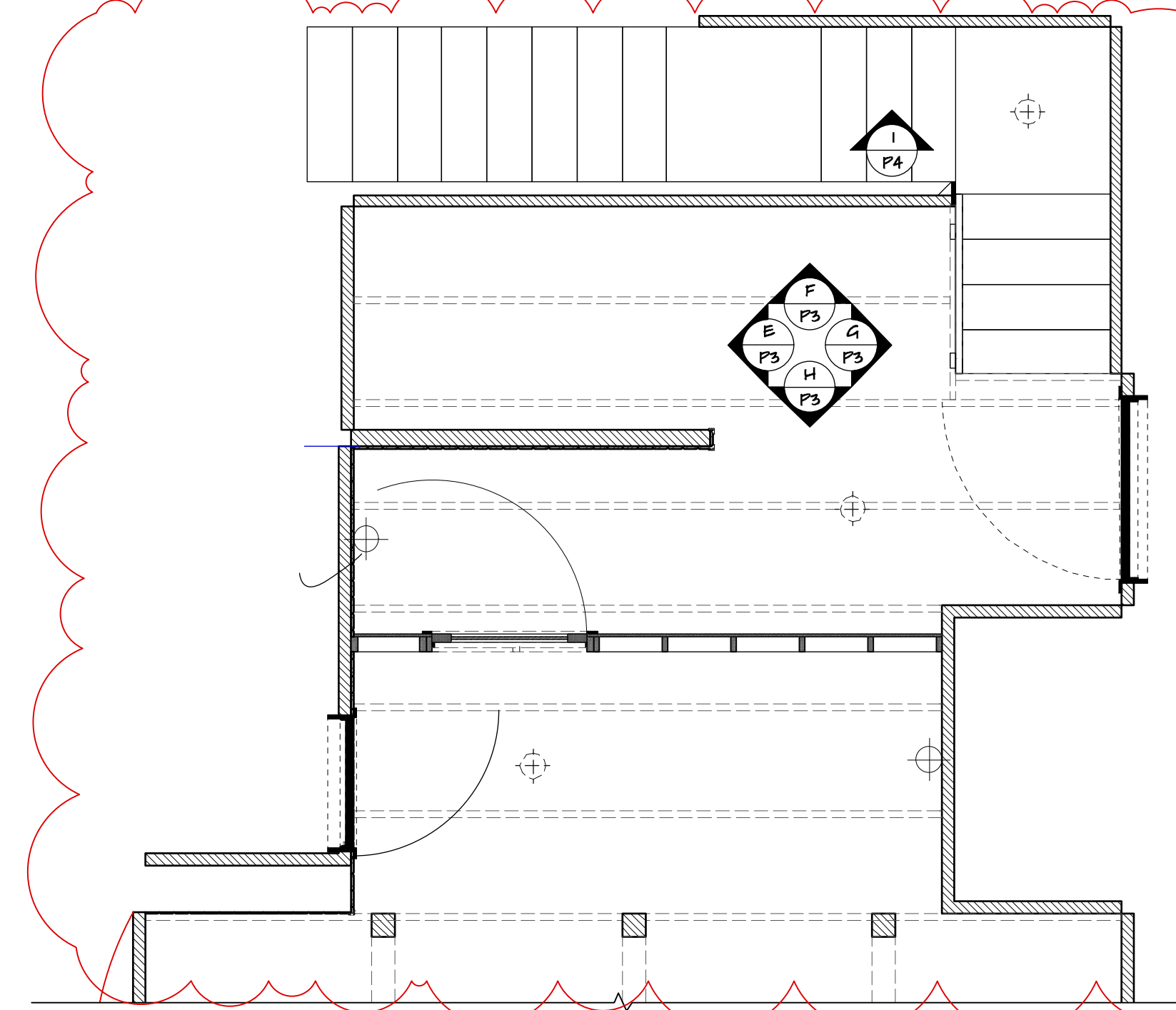
H WALL H ELEVATION
SCALE: 1/2" = 1'-0"



WALL H PLAN
SCALE: 1/2" = 1'-0"



WOOD POST AND STEPS REFERENCE



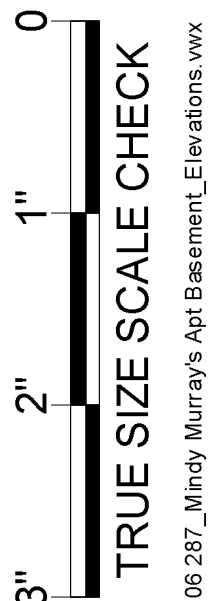
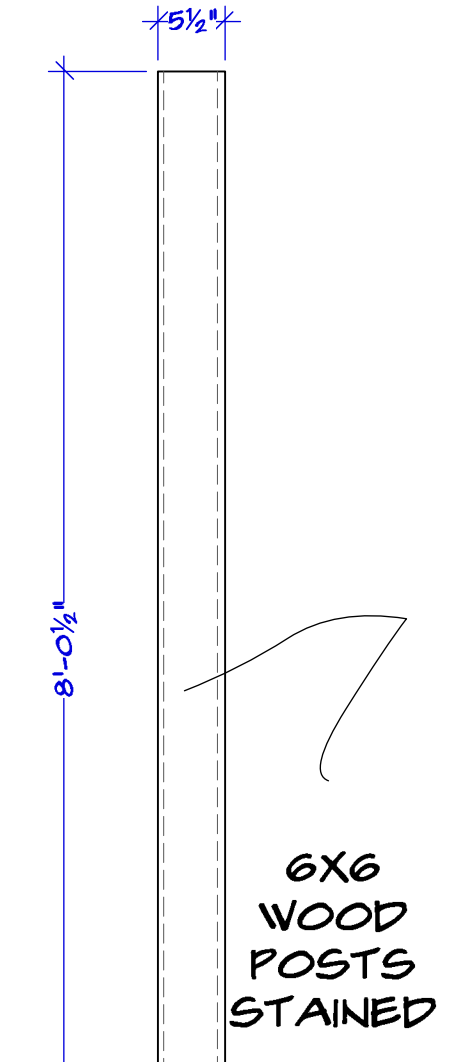
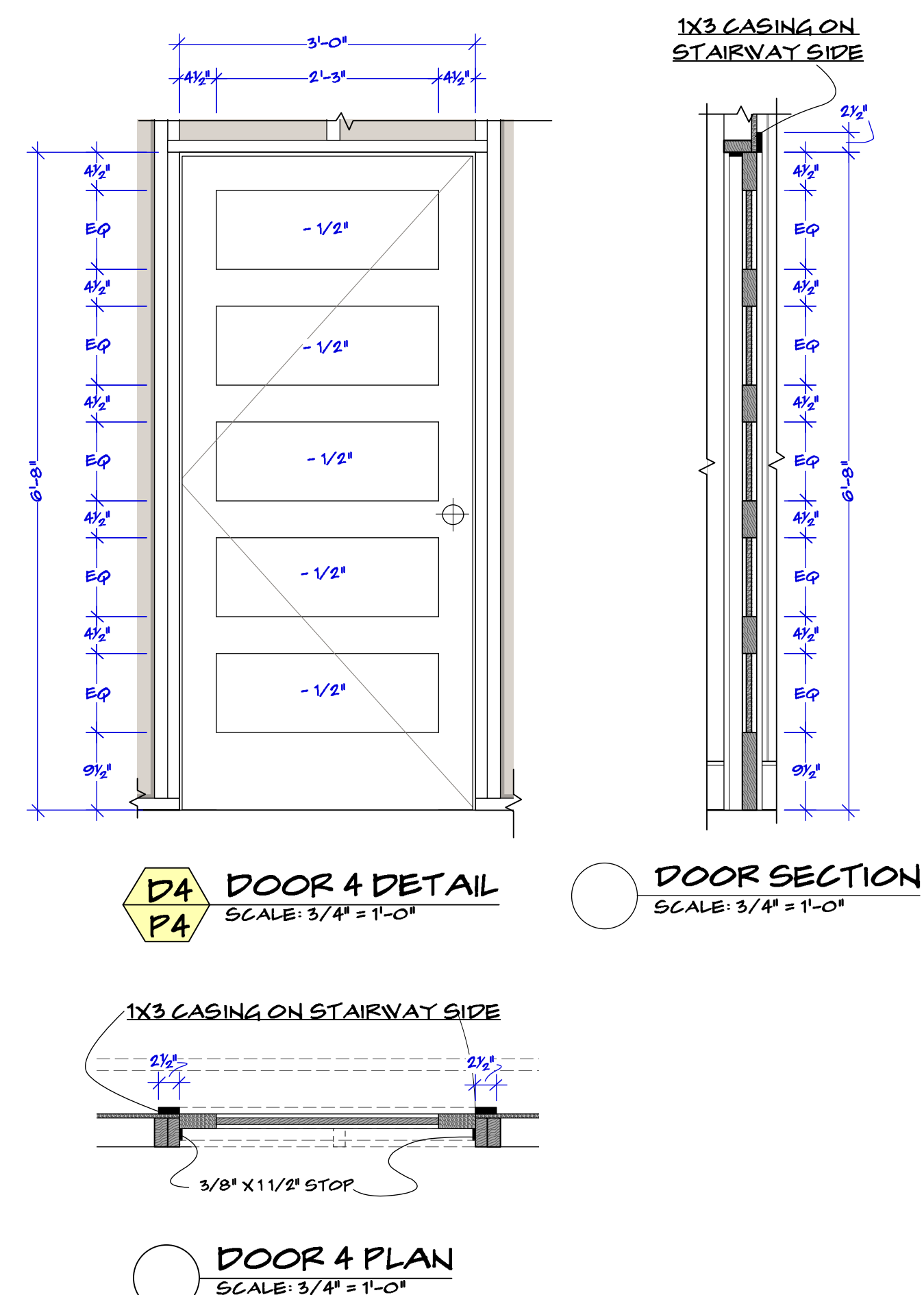
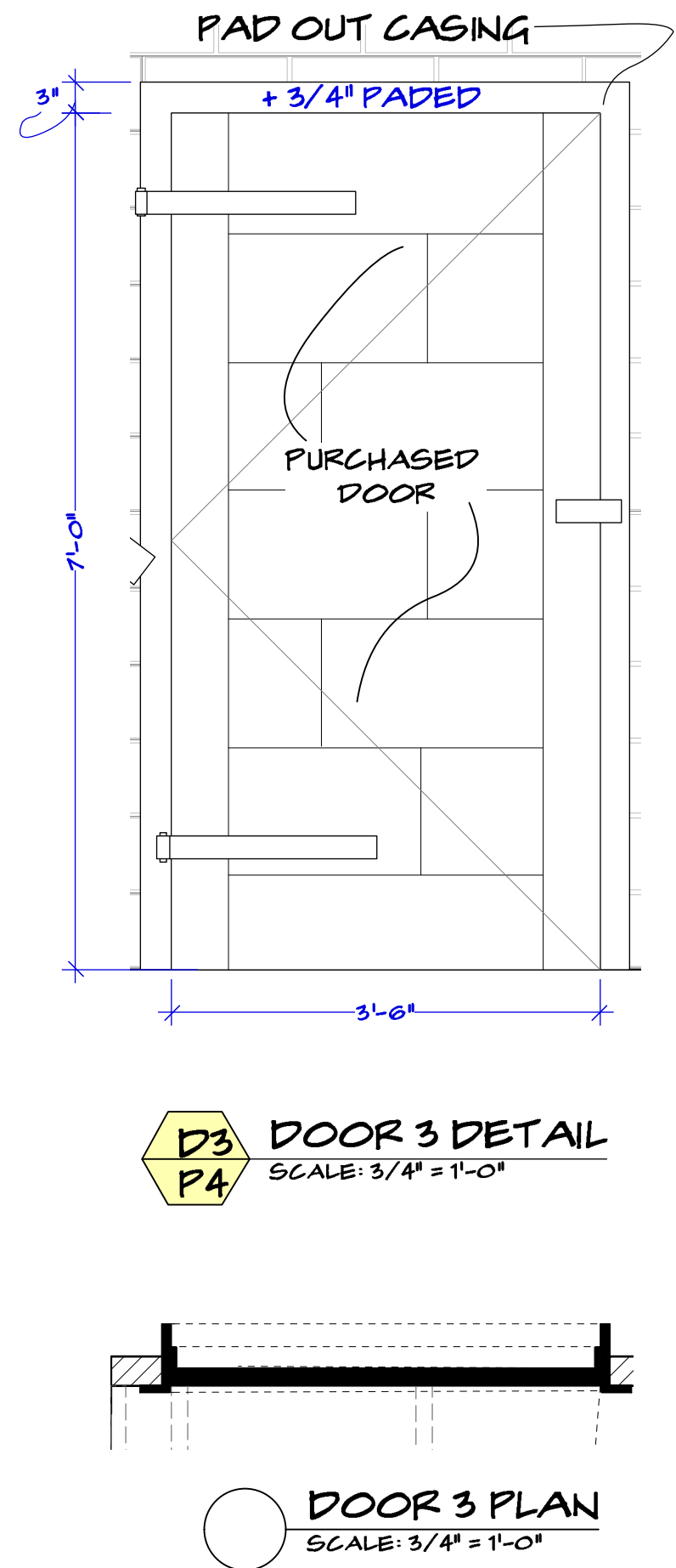
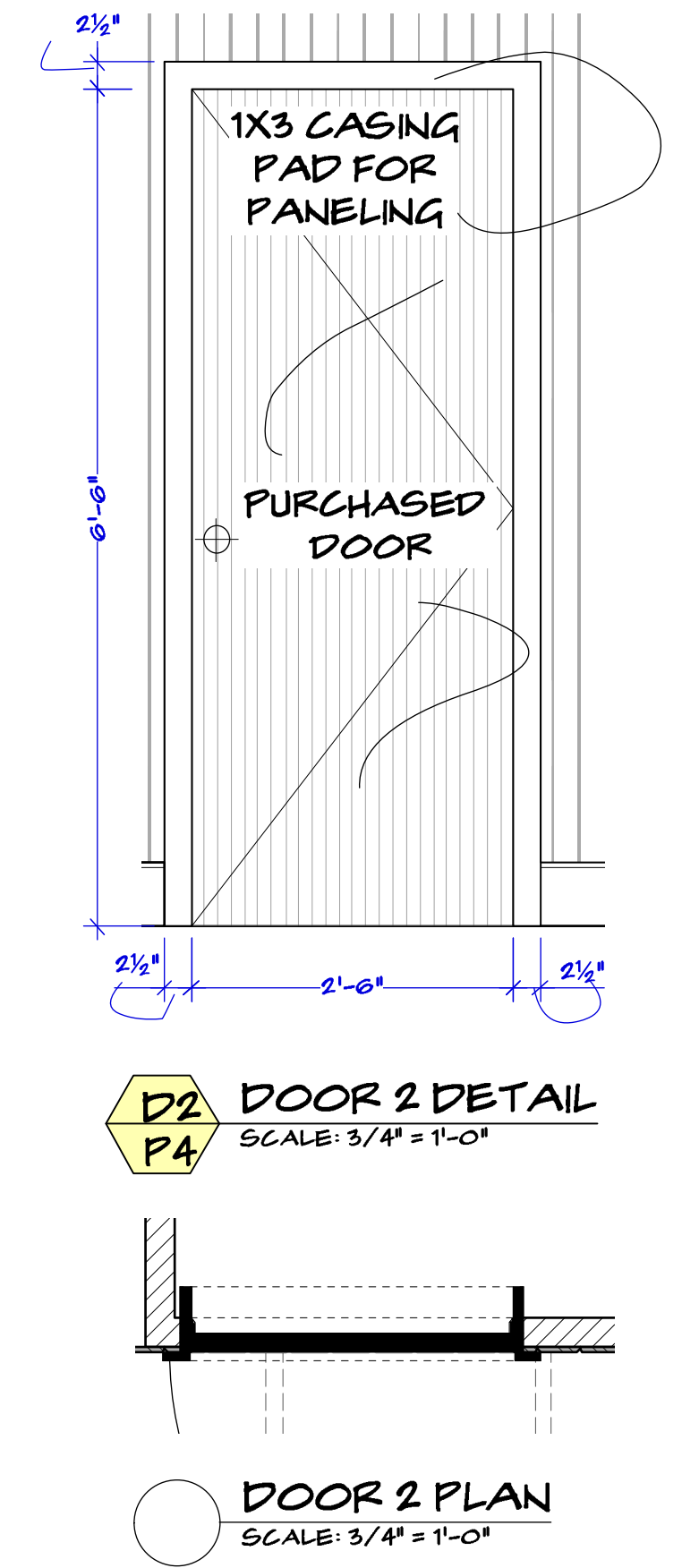
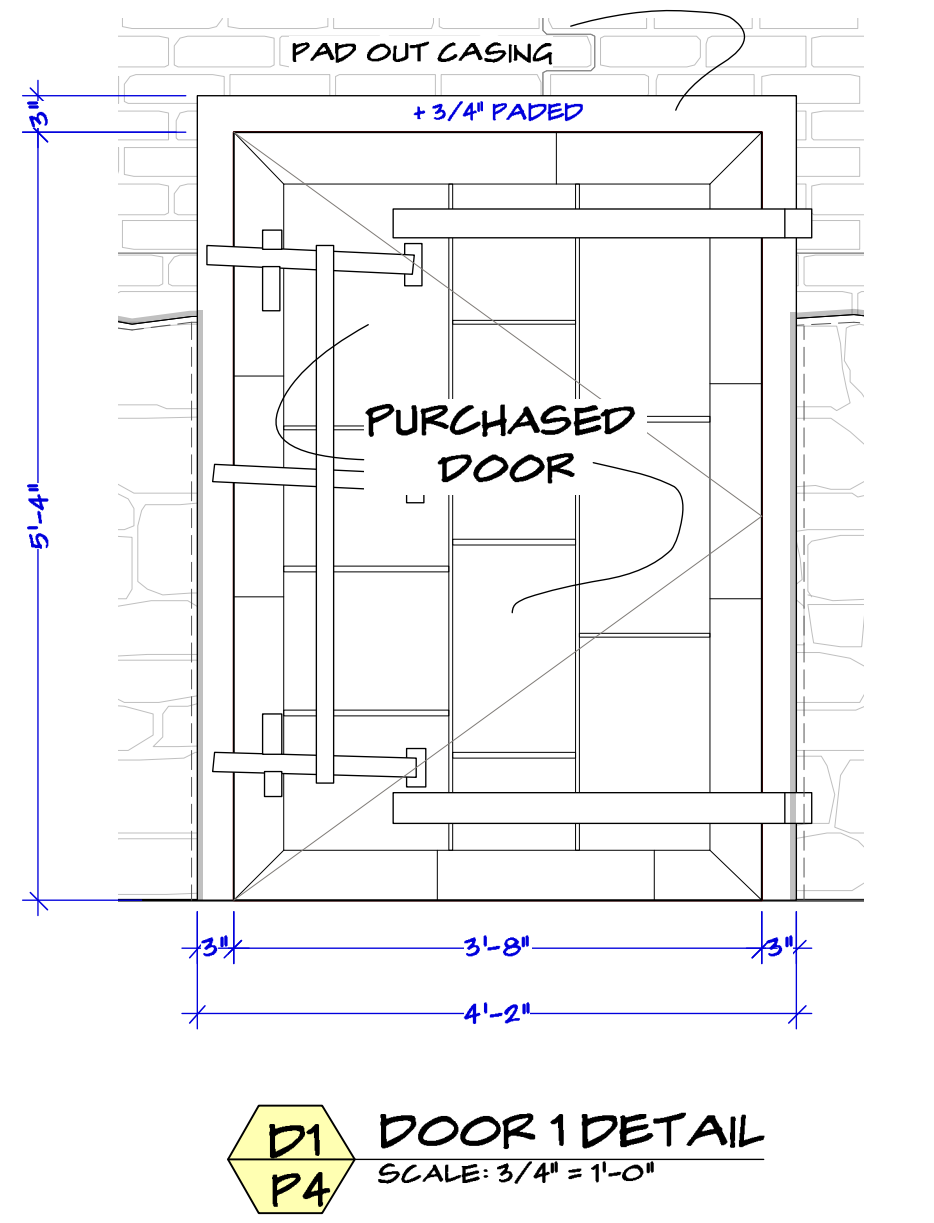
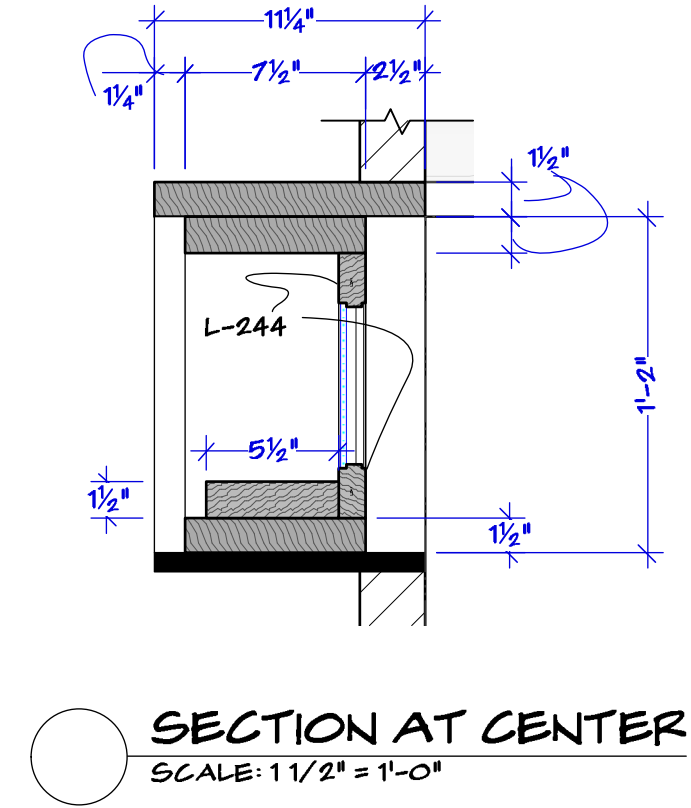
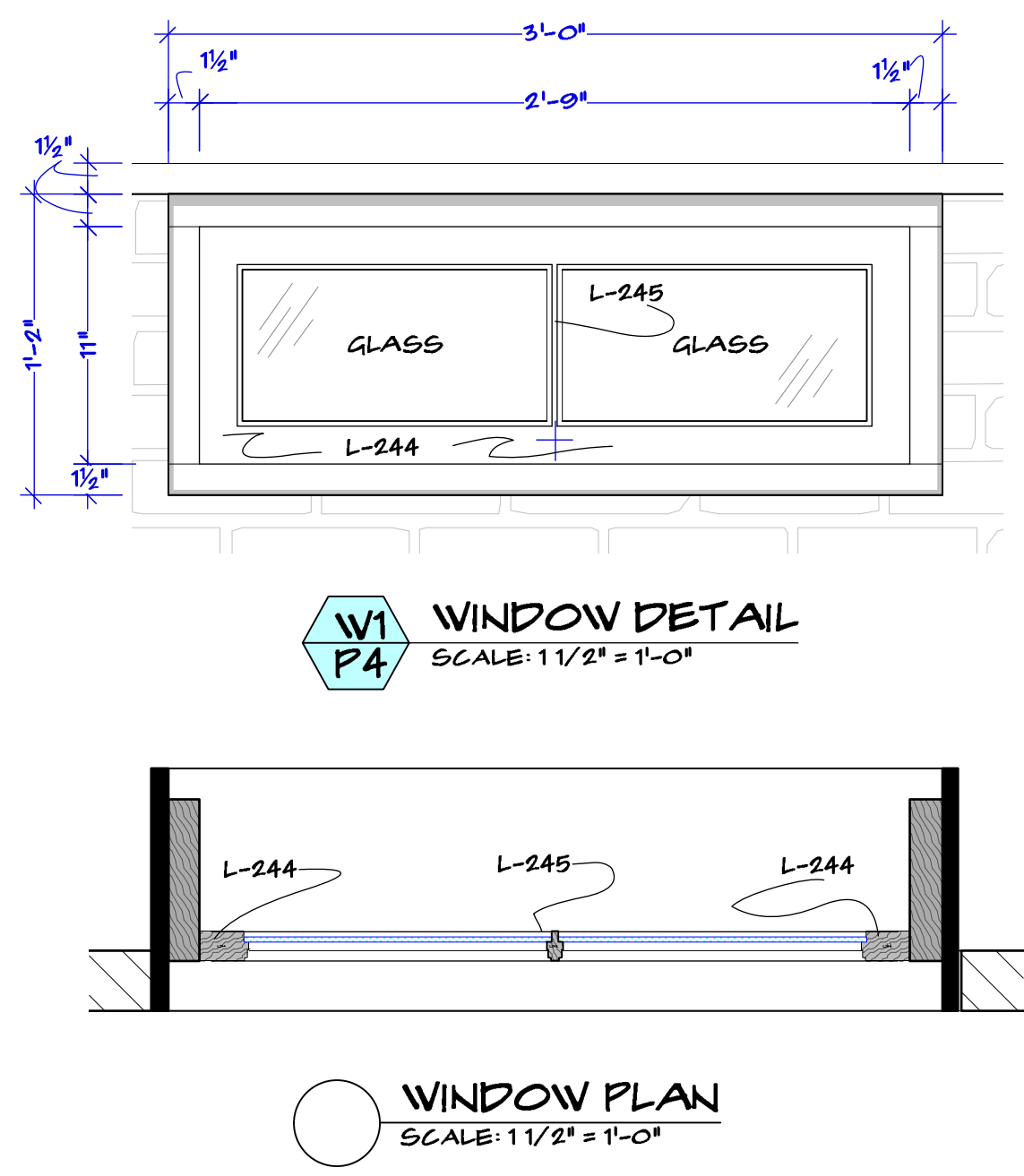
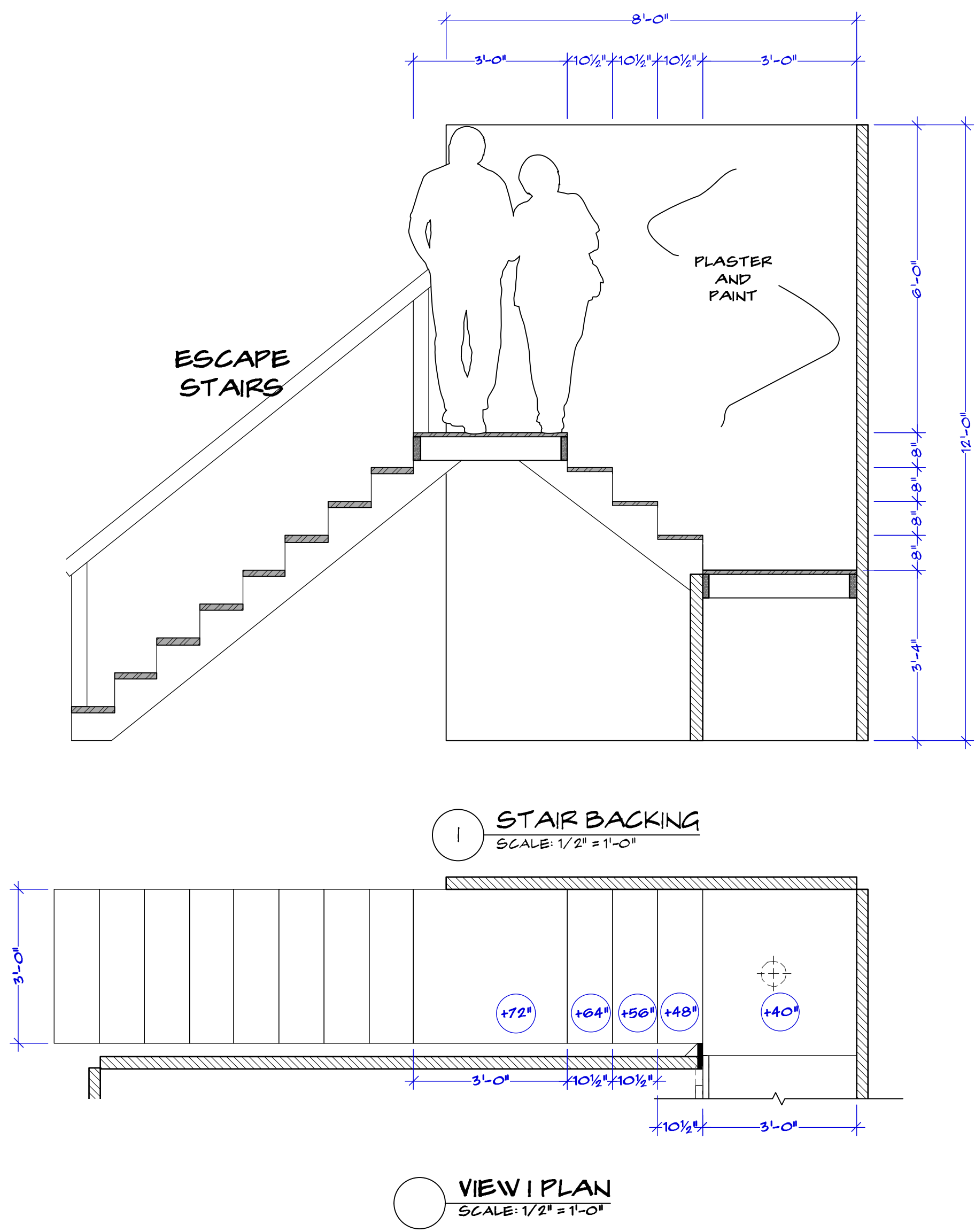
REFERENCE PLAN
SCALE: 3/8" = 1'-0"

TRUE SIZE SCALE CHECK
106 287_Mindy Murray's Apt Basement Elevations.sxd



11/7/09/19 ADDED BASEMENT STAIR SECTION FOR 107
ADDED DOOR D4
RELEASED 07/09/2019

Episode: 106	Set Name & Description: MINDY MURRAY'S BASEMENT ELEVATIONS	Director: VARIOUS	Location: STAGE 7
Drawn by: M. FAHRER	Set #1: 287	Producer: JERRY KUPFER	Art Director: MARCI MUDD
Drawing Date: 7/9/2019	Scale: NOTED	Line Producer: BILL SELL	Const. Coordinator: NILES NORTON
Sheet No: 287-03		Address: STEINER STUDIO 15 WASHINGTON AVE	
Sheet Date: XX/XX/2019		Prod. Designer: CURT BEECH	
		Set Decorator: SUSAN MARSHAL	



106 287_Mindy Murray's Apt Basement Elevators.vsw



Exec Producer: NIKKI TOSCANO
Line Producer: BILL SELL
Address: STEINER STUDIO 15 WASHINGTON AVE
Prod. Designer: CURT BECH
Set Decorator: SUSAN MARSHAL

Producer: JERRY KUPFER
UPM: BILL SELL
ART Director: MARCI MUDD
Const. Coordinator: NILES NORTON

Set Name & Description: MINDY MURRAY'S BASEMENT DETAILS
Director: VARIOUS
Location: STAGE 27

Episode: 106
Set #: 287
Scale: NOTED

Drawn by: M. FAHRER
7/9/2019
Sheet No.: 287-04

**7/09/19 ADDED BASEMENT STAIR SECTION FOR 107
ADDED DOOR D4
REVISED 07/09/2019

**7/09/19 ADDED BASEMENT STAIR SECTION FOR 107
ADDED DOOR D4

RELEASED 07/09/2019

Drawing Date: 7/9/2019
Drawn by: M. FAHRER
Sheet No.: 287-05

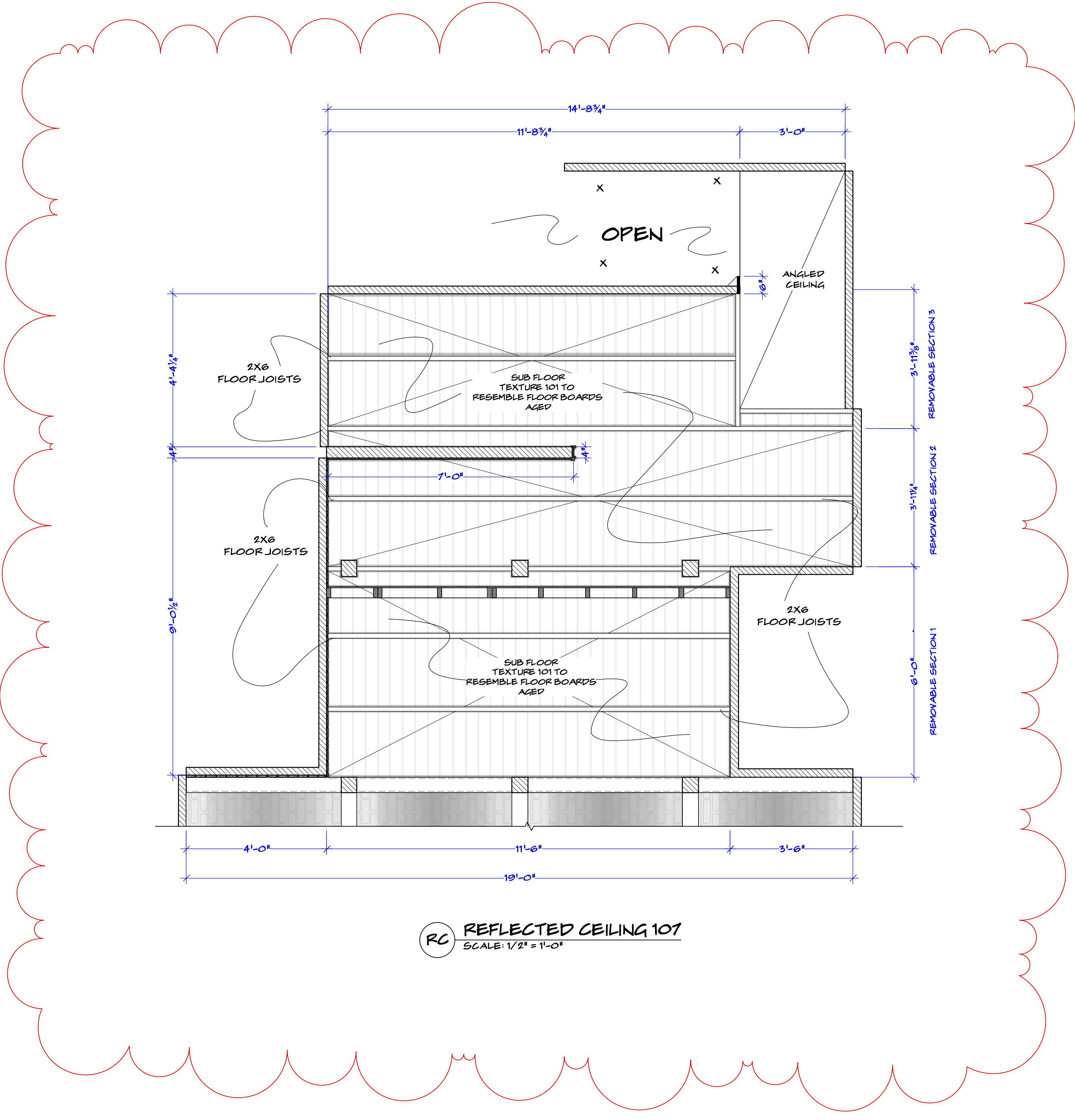
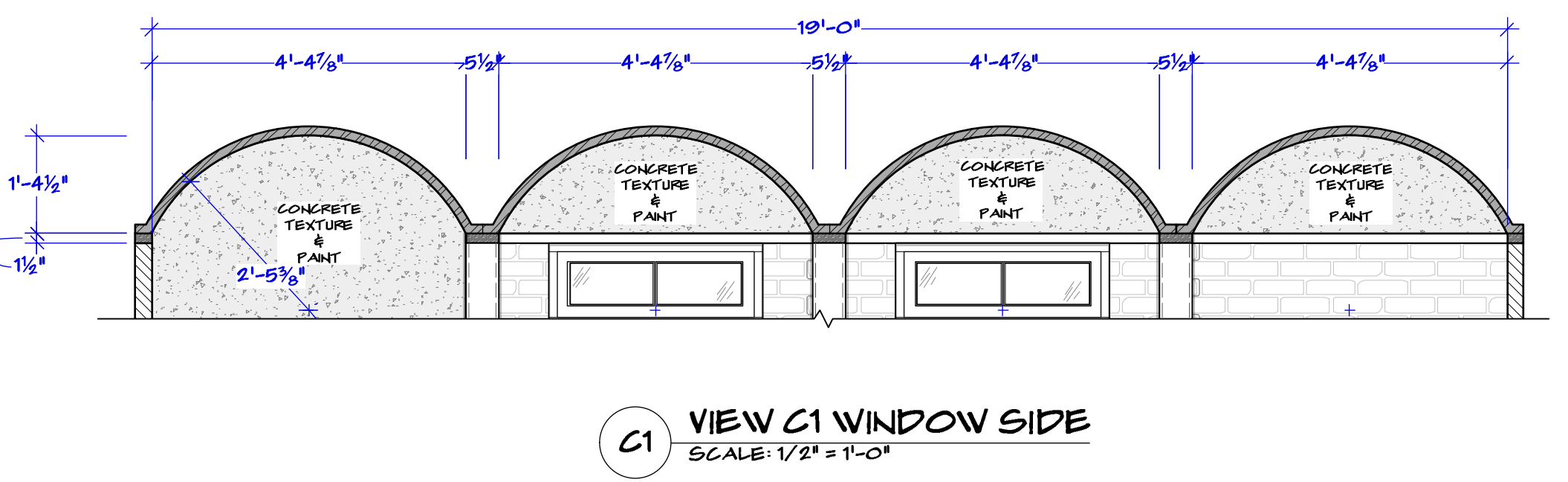
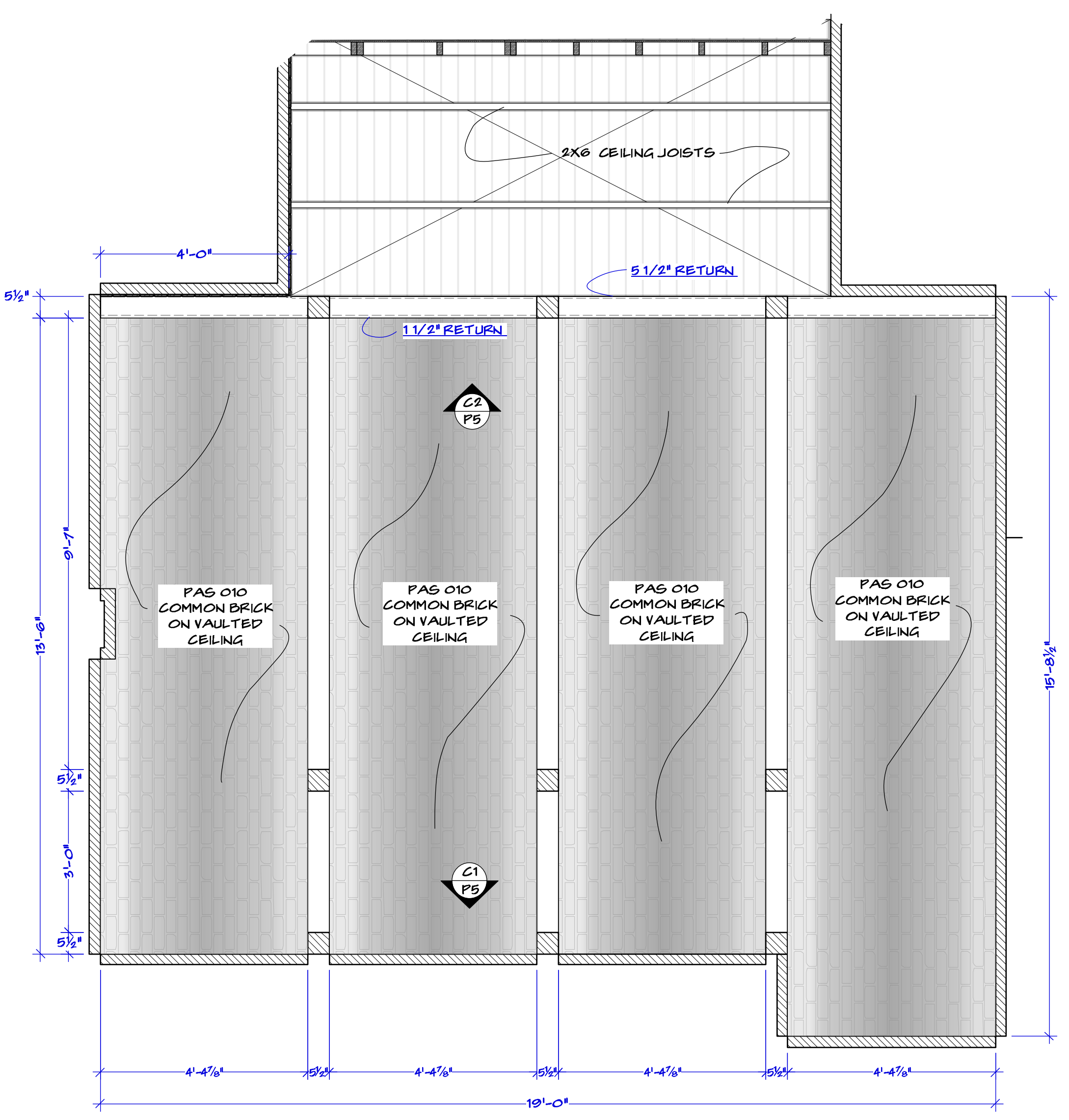
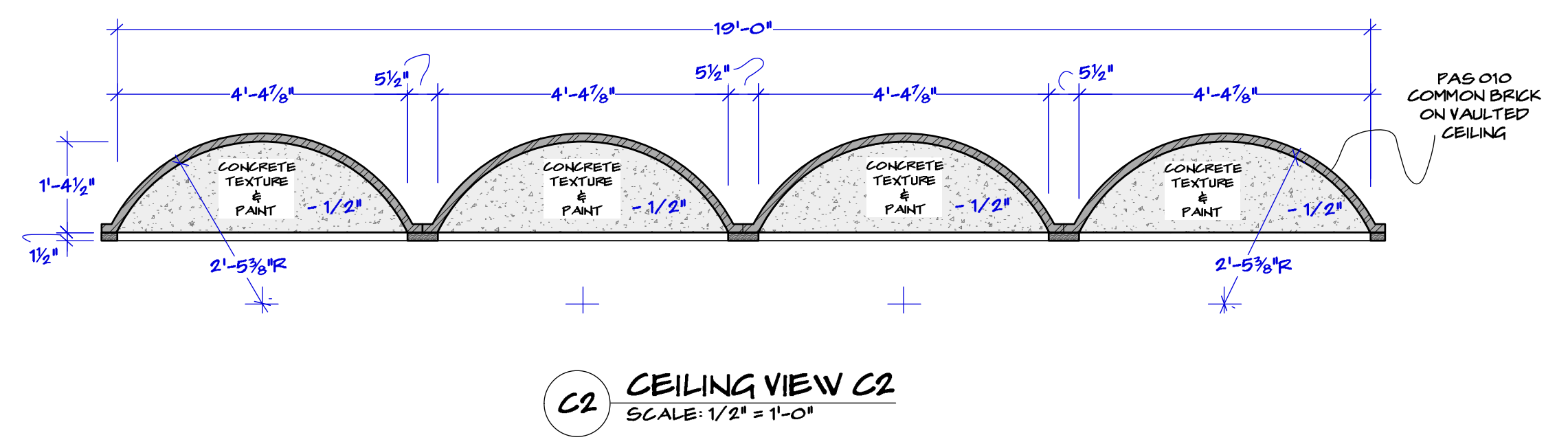
Episode: 106
Set #: 287
Scale: 1/2"=1'-0"

Set Name & Description: MINDY MURRAY'S BASEMENT CEILING
Director: VARIOUS
Location: STAGE 27

Exec Producer: NIKKI TOSCANO
Line Producer: BILL SELL
Address: STEINER STUDIO 15 WASHINGTON AVE
Prod. Designer: CURT BEECH
Set Decorator: SUSAN MARSHAL

Producer: JERRY KUPFER
UPM: BILL SELL
Art Director: MARCI MUDD
Const. Coordinator: NILES NORTON

3" 2" 1" 0"
TRUE SIZE SCALE CHECK
106 287_Mindy Murray's Apt Basement Elevations.vwx



106 287_Mindy Murray's Apt Basement Elevations.vwx