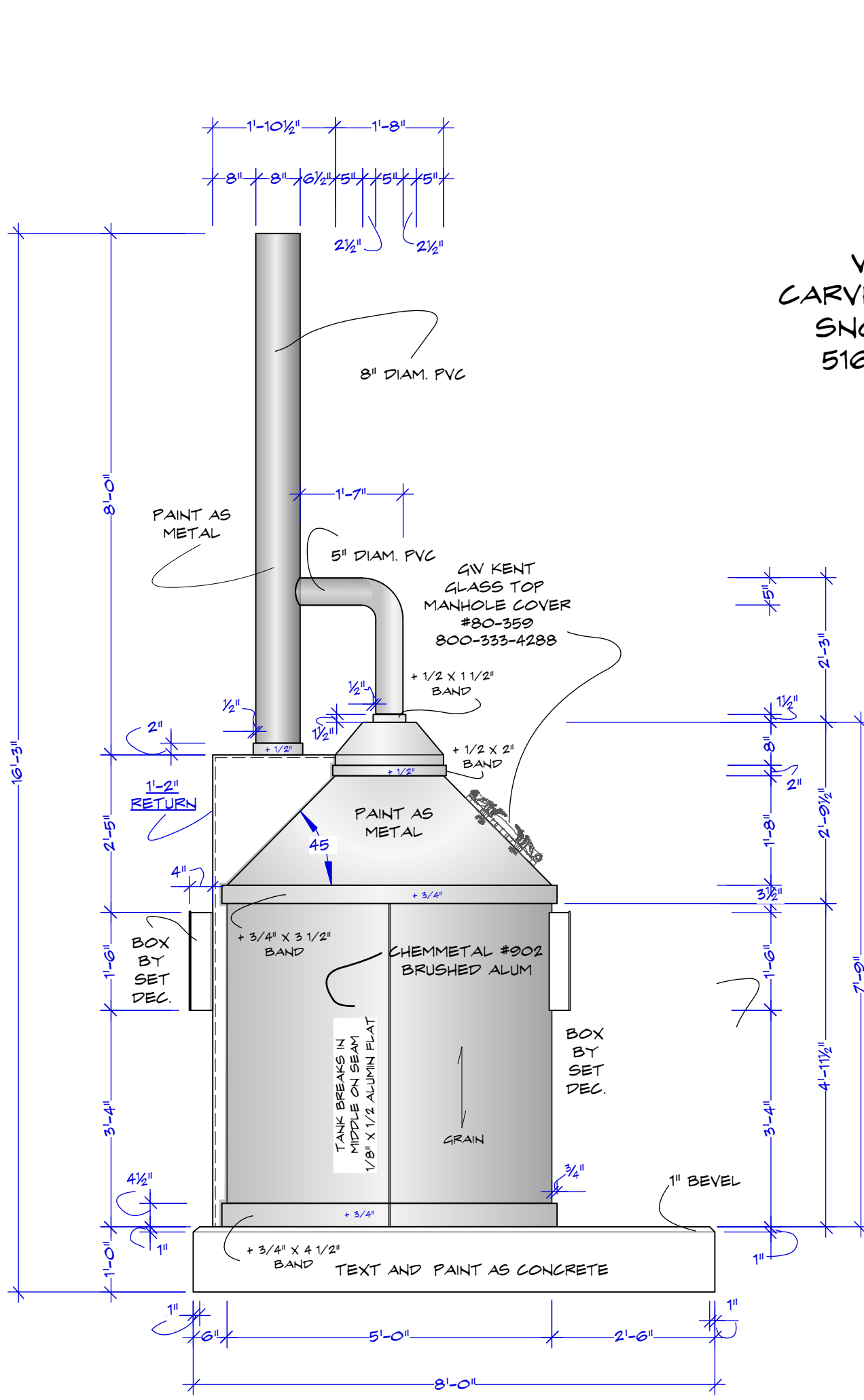
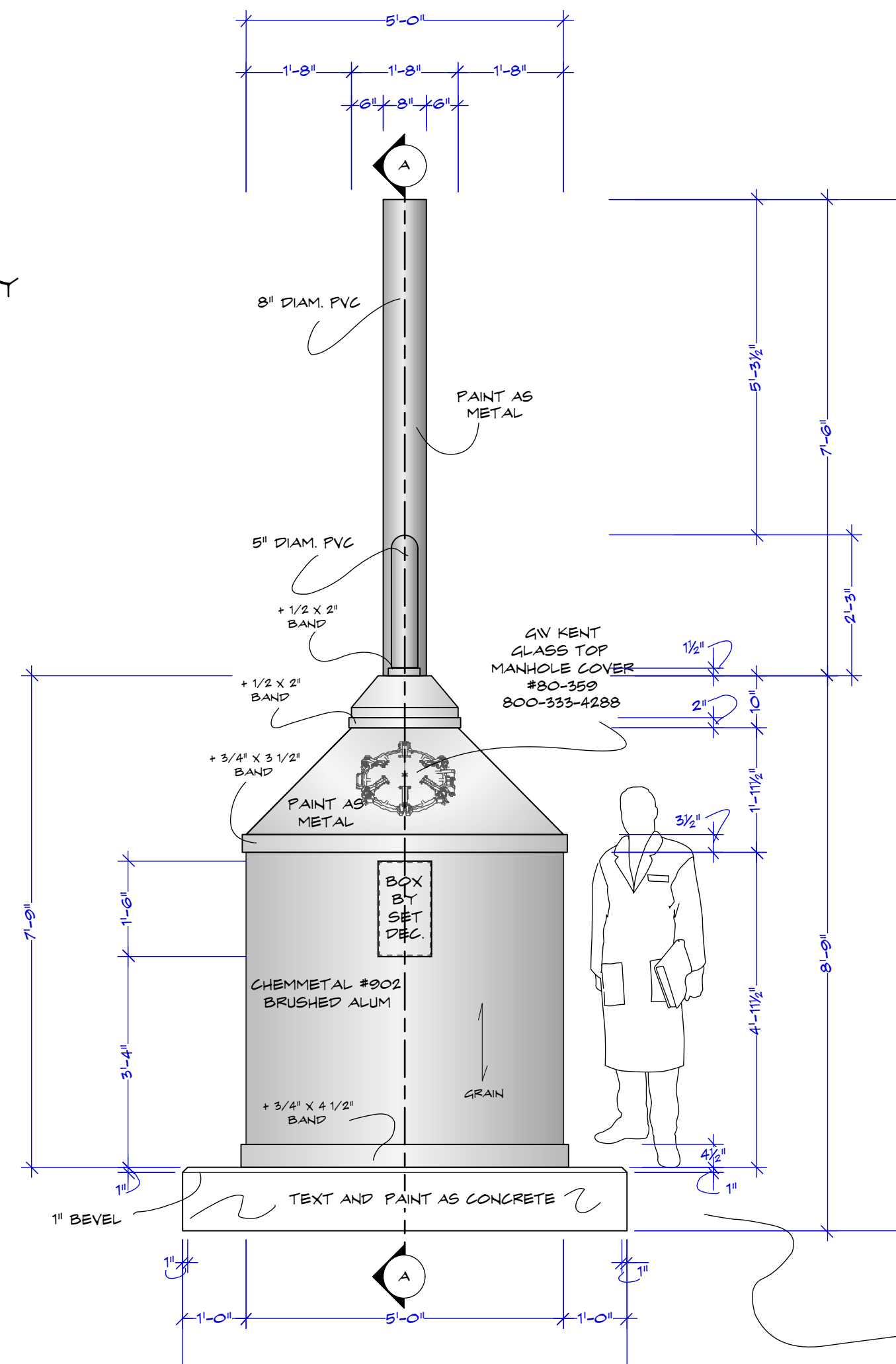


MAKE 2 VATS

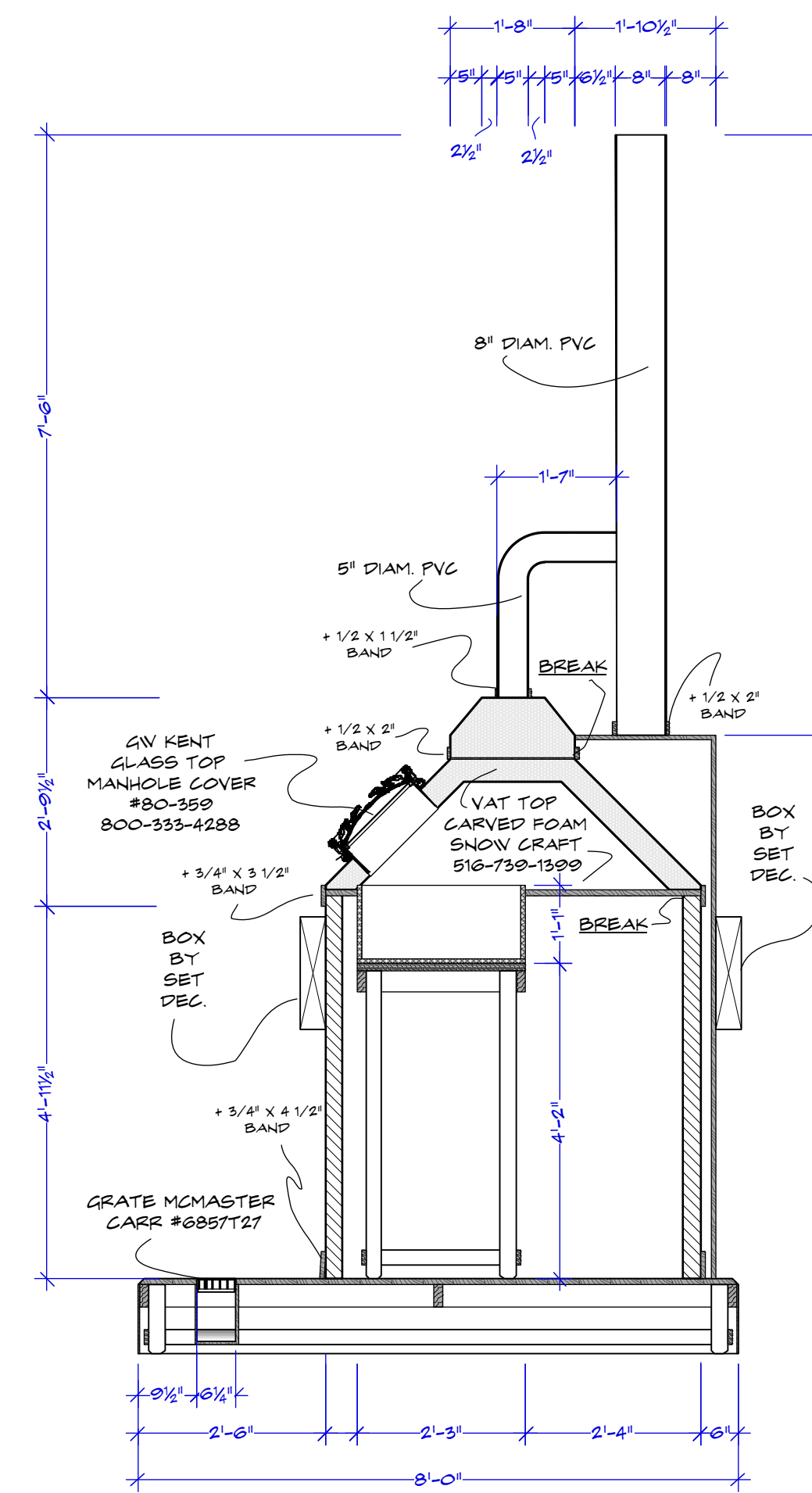


A CORN SYRUP VAT SIDE
SCALE: 1/2" = 1'-0"

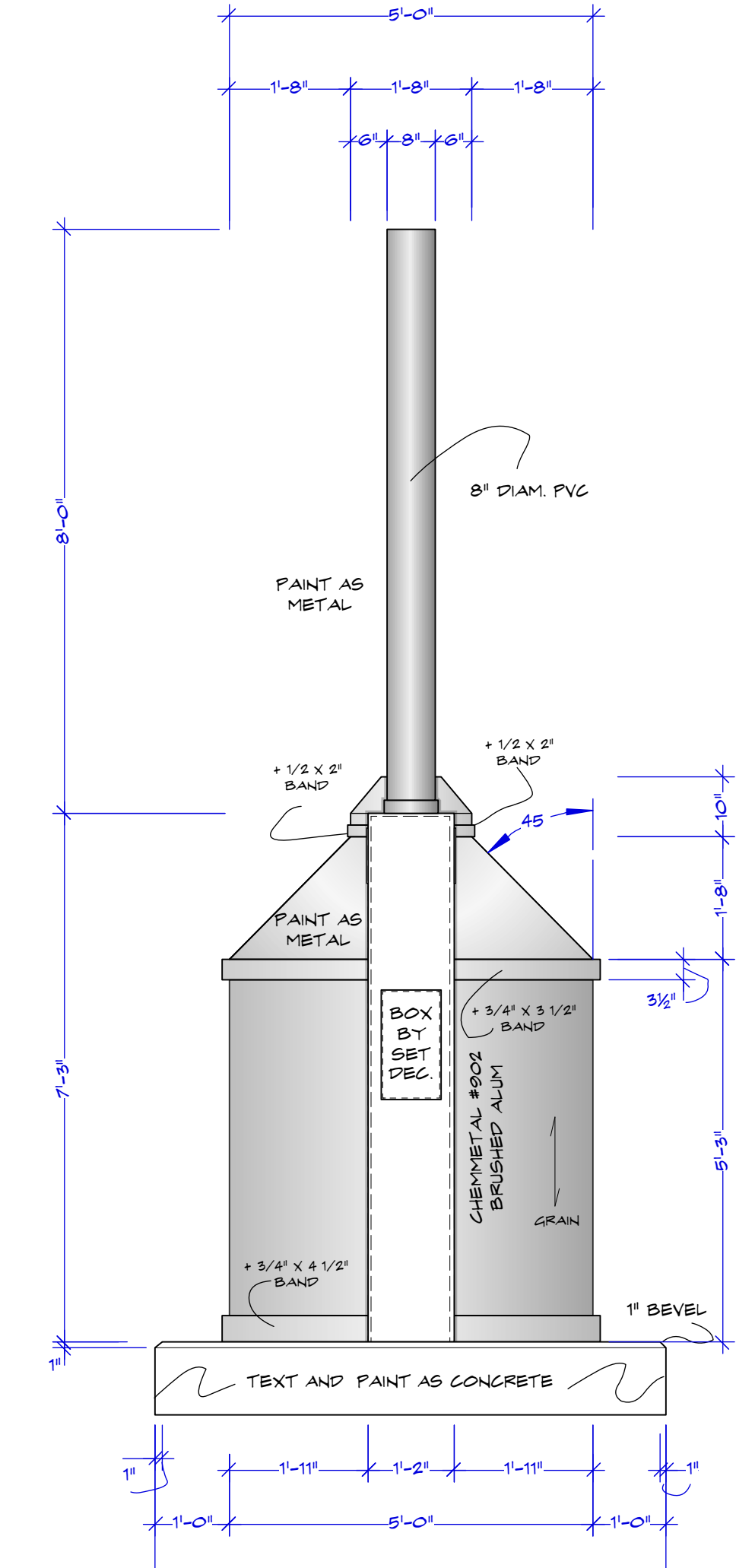
VAT TOP
CARVED FOAM BY
SNOW CRAFT
516-739-1399



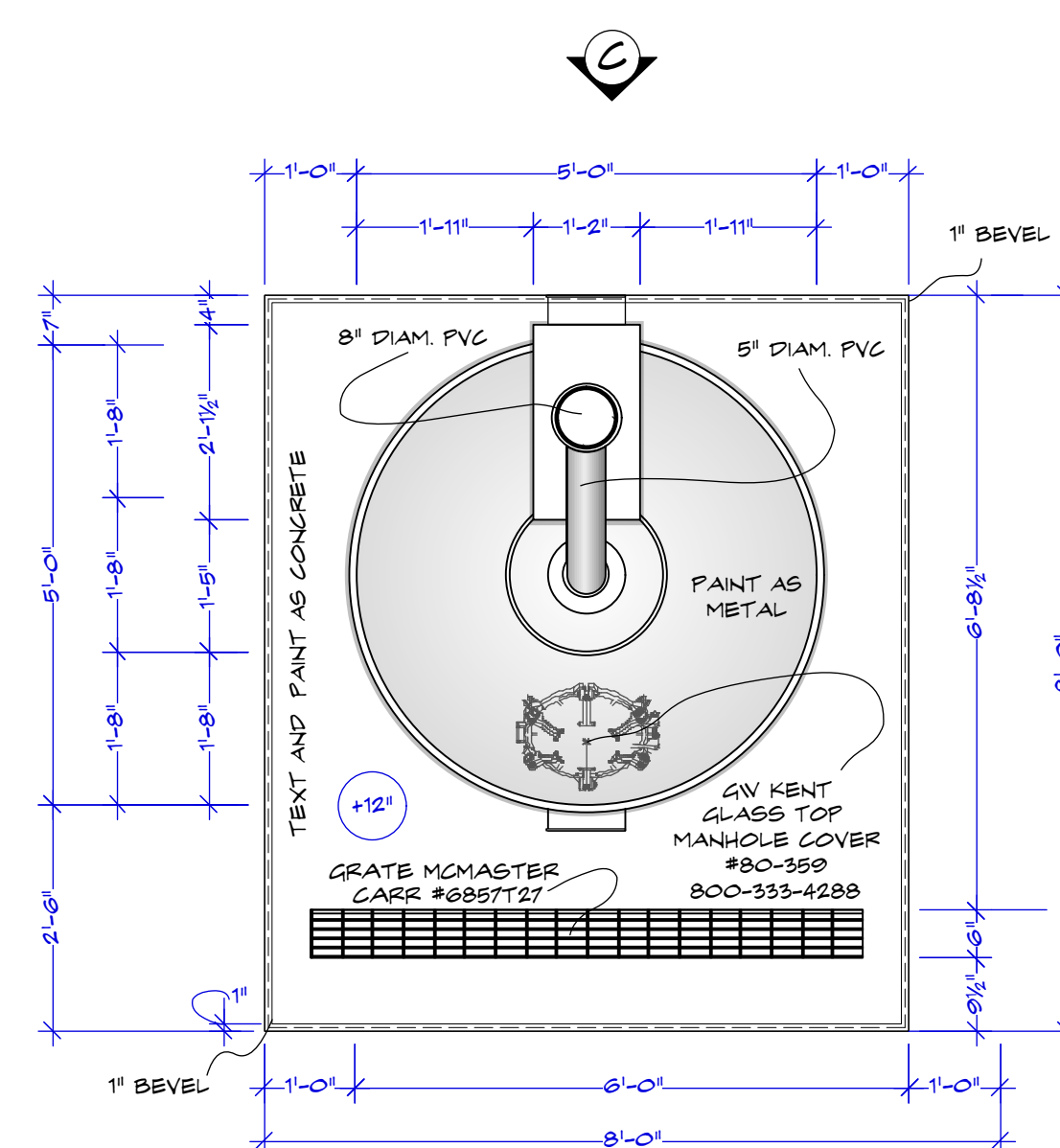
B CORN SYRUP FRONT VIEW
SCALE: 1/2" = 1'-0"



A-A SECTION A-A
SCALE: 1/2" = 1'-0"



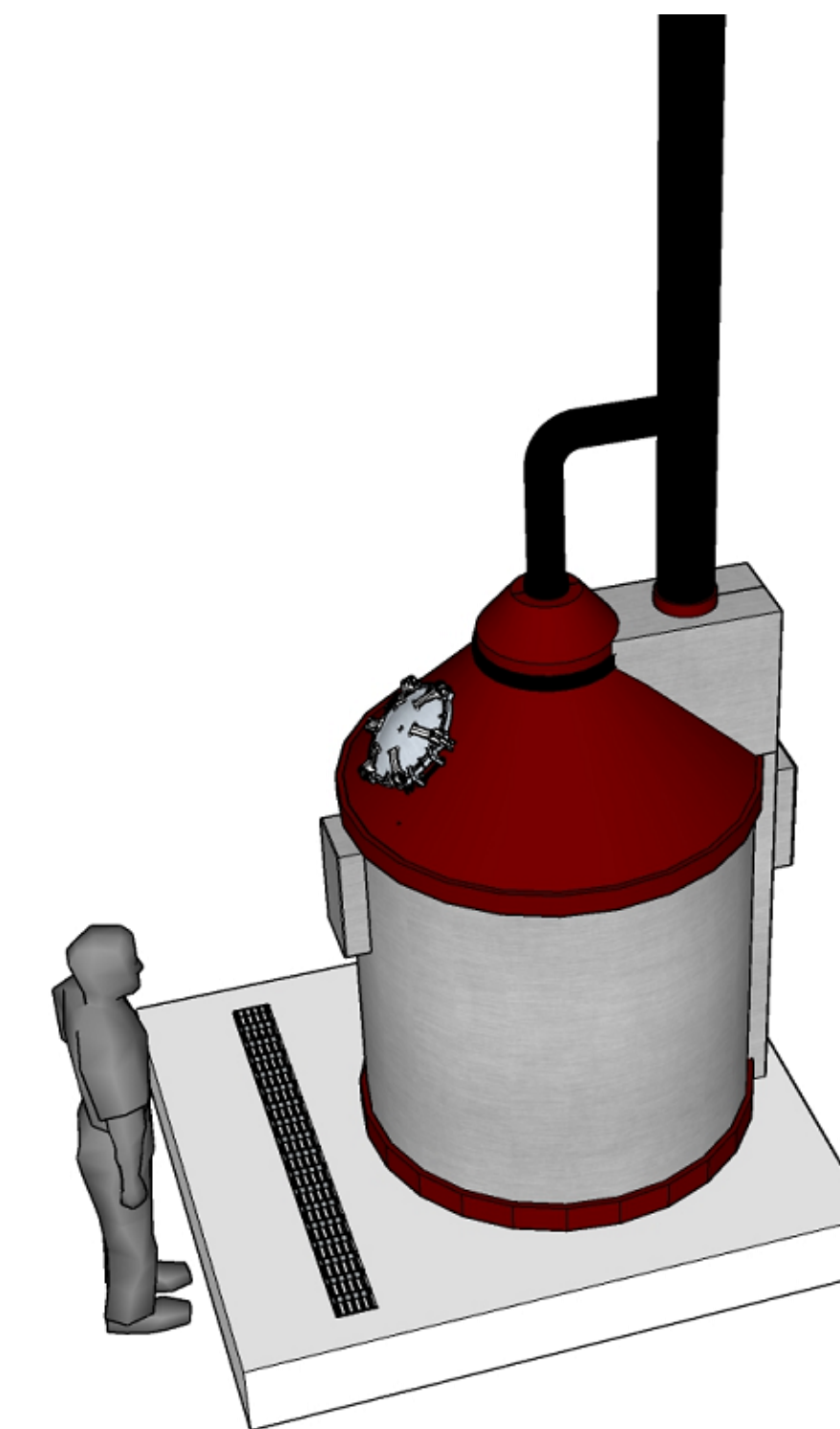
C CORN SYRUP VAT BACK
SCALE: 1/2" = 1'-0"



D CORN SYRUP VAT TOP VIEW
SCALE: 1/2" = 1'-0"

NOTES:

- DISCUSS ALL EFFECTS WITH MIKE MYERS
- HATCH OPENS AND VIAL POURED INTO "SYRUP"
- MAKE WATER TIGHT "SYRUP" CONTAINER INSIDE OF VAT



REFERENCE IMAGE

3" 2" 1" 0
TRUE SIZE SCALE CHECK
108_357_Schiller Corp Factory Floor_01 Vat Elevation.vwx



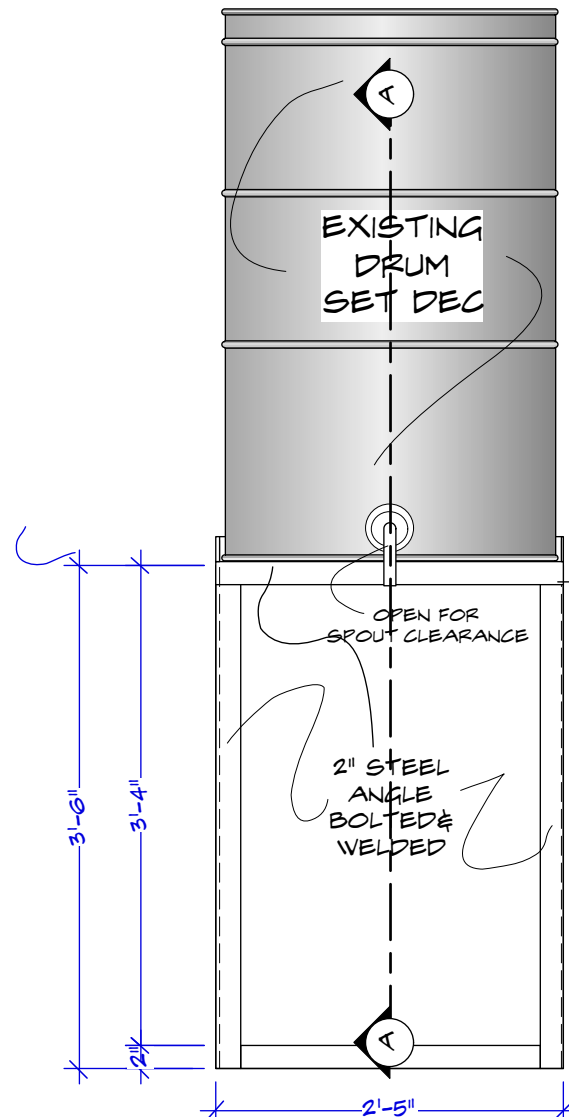
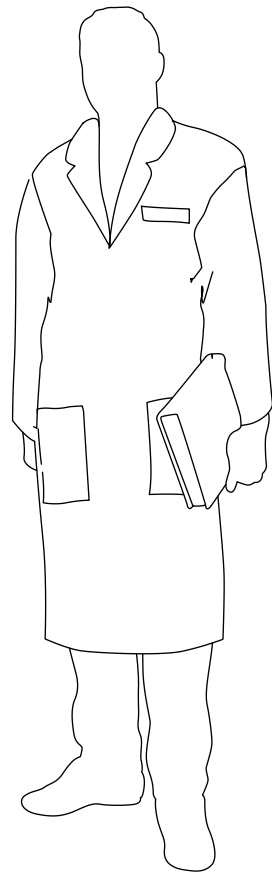
RELEASED 7/26/2019

Episode: 106	Set #: 357	Scale: NOTED
Director: VARIOUS	Location: 1 FERNBROOK ST, YONKERS NY 10705	
Exec Producer: NIKKI TOSCANO	Producer: JERRY KUPFER	
Line Producer: BILL SELL	UPM: BILL SELL	
Address: STEINER STUDIO 15 WASHINGTON AVE	Art Director: MARCI MUDD	
Prod. Designer: CURT BEECH	Const. Coordinator: NILES NORTON	
Set Decorator: SUSAN MARSHAL		
Drawn By: M FAHRER	Sheet No.: 357-01	
Date: 7/26/2019	Shot Date: 06/02/2019	

MAKE 2 VATS

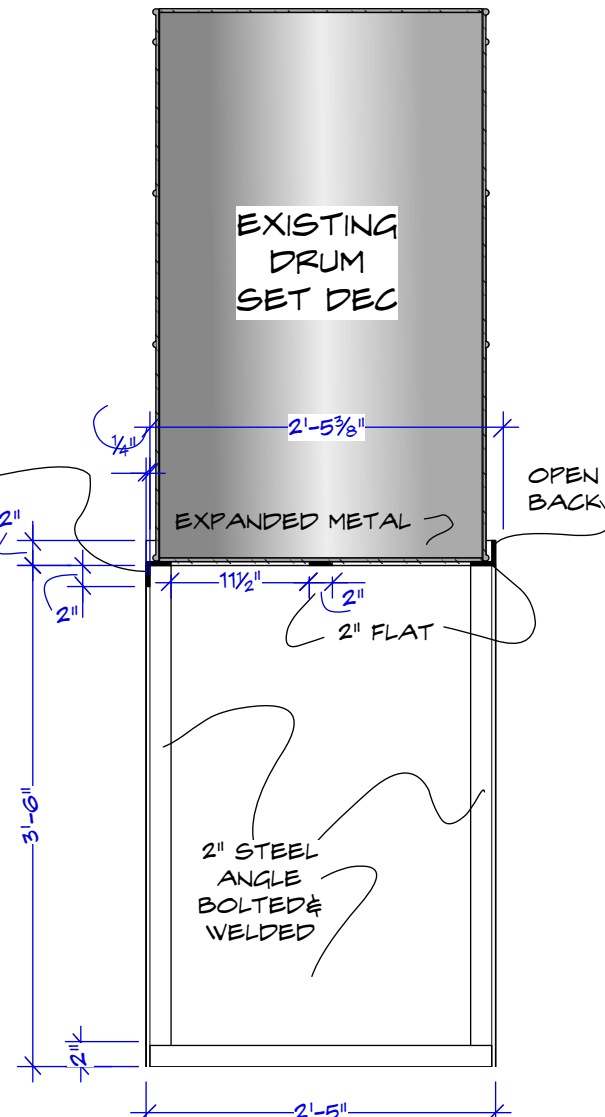
MAKE 2 VATS

MAKE 2



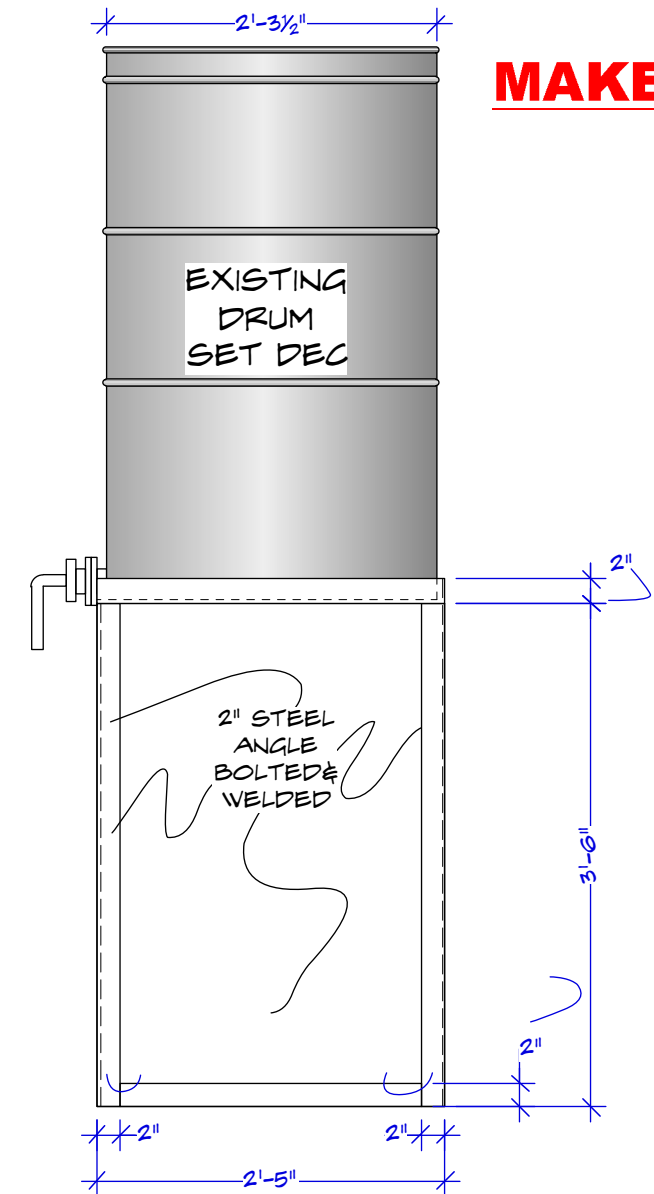
A STAND FRONT VIEW
SCALE: 3/4" = 1'-0"

FRONT IS OPEN
ANGLE IS DOWN

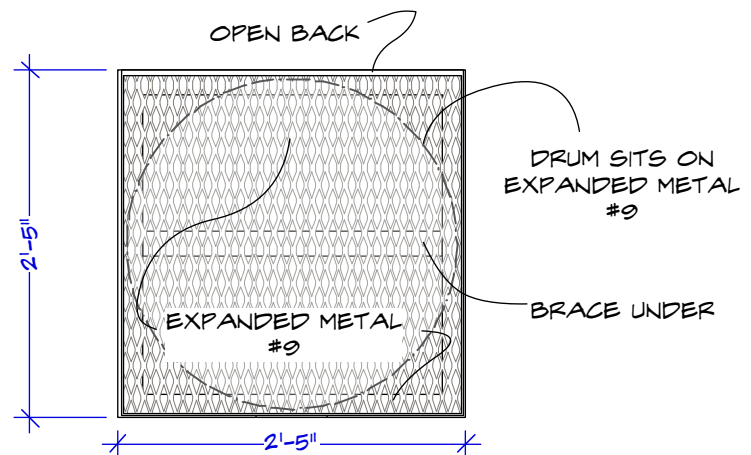


A-A SECTION A-A
SCALE: 3/4" = 1'-0"

MAKE 2



B SIDE VIEW
SCALE: 3/4" = 1'-0"



TOP VIEW
SCALE: 3/4" = 1'-0"

MAKE 2

**REVISED 2:52 FRONT IS OPEN 2" ANGLE ALL THE WAY AROUND
DRUM WILL HOLD 55 GALLONS OF WATER APPROX 470 LBS.**

MAKE 2

REVISED 7/29/2019 PM

	PROD. DESIGNER: CURT BEECH ART DIRECTOR: MARCI MUDD	DRAWING: 55 GALLON DRUM PLATFORM ELEVATION	SHOOT DATE: 08/02/2019	SET #: 357	DATE DRAWN: 7/29/2019	SCHILDER FACTORY FLR
	DRAWING BY: M. FAHRER	LOCATION: 1 FERNBROOK YONKERS 10705	SCALE: 3/4"=1'-0"	SCENE #: 14	REVISED: XX/XX/2019	