

1 GAME SHOW TECHNICAL PLAN
SCALE: 1/2" = 1'-0"

3" 2" 1" 0
TRUE SIZE SCALE CHECK

108_349_Studio 8B Game Show Elevations-Backup-20190722153820.wdw



Exec Producer: NIKKI TOSCANO
Line Producer: BILL SELL
Address: STEINER STUDIO 15 WASHINGTON AVE
Prod. Designer: CURT BEECH
Set Decorator: SUSAN MARSHAL

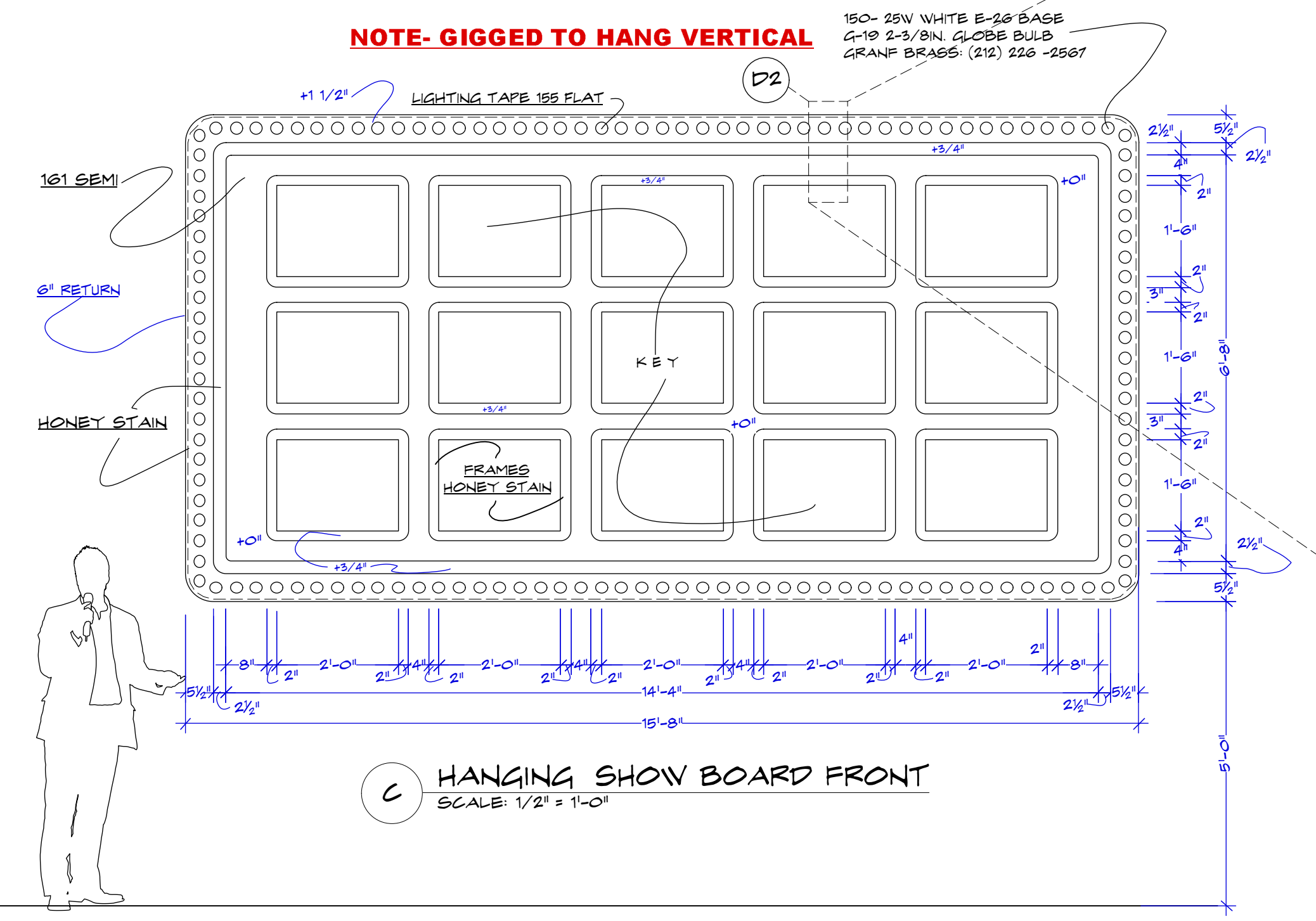
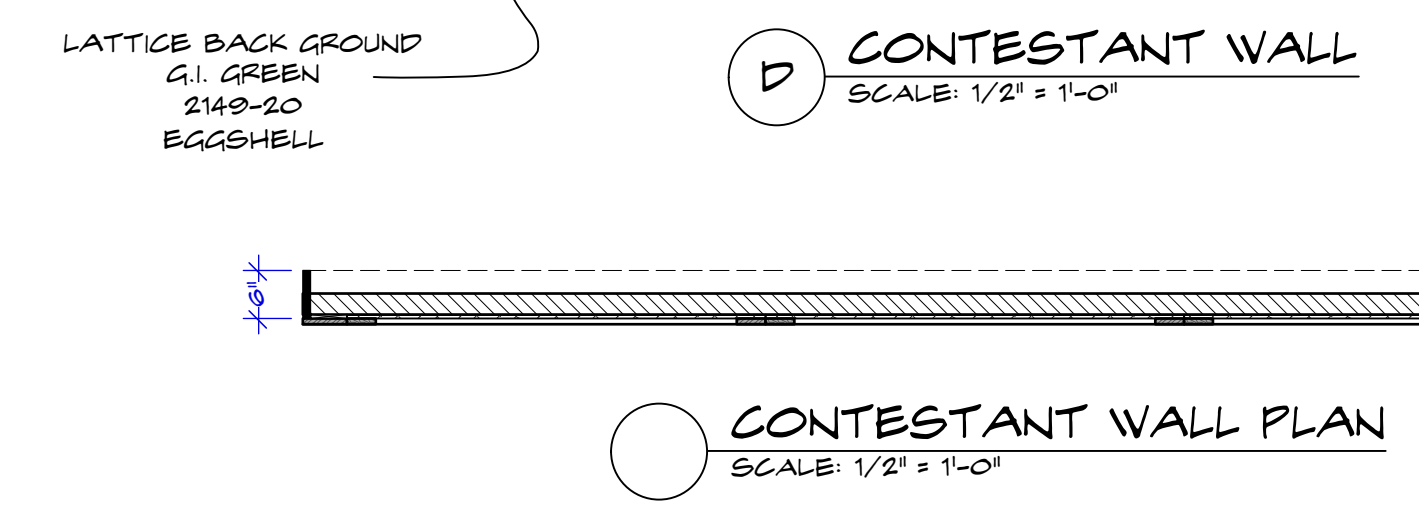
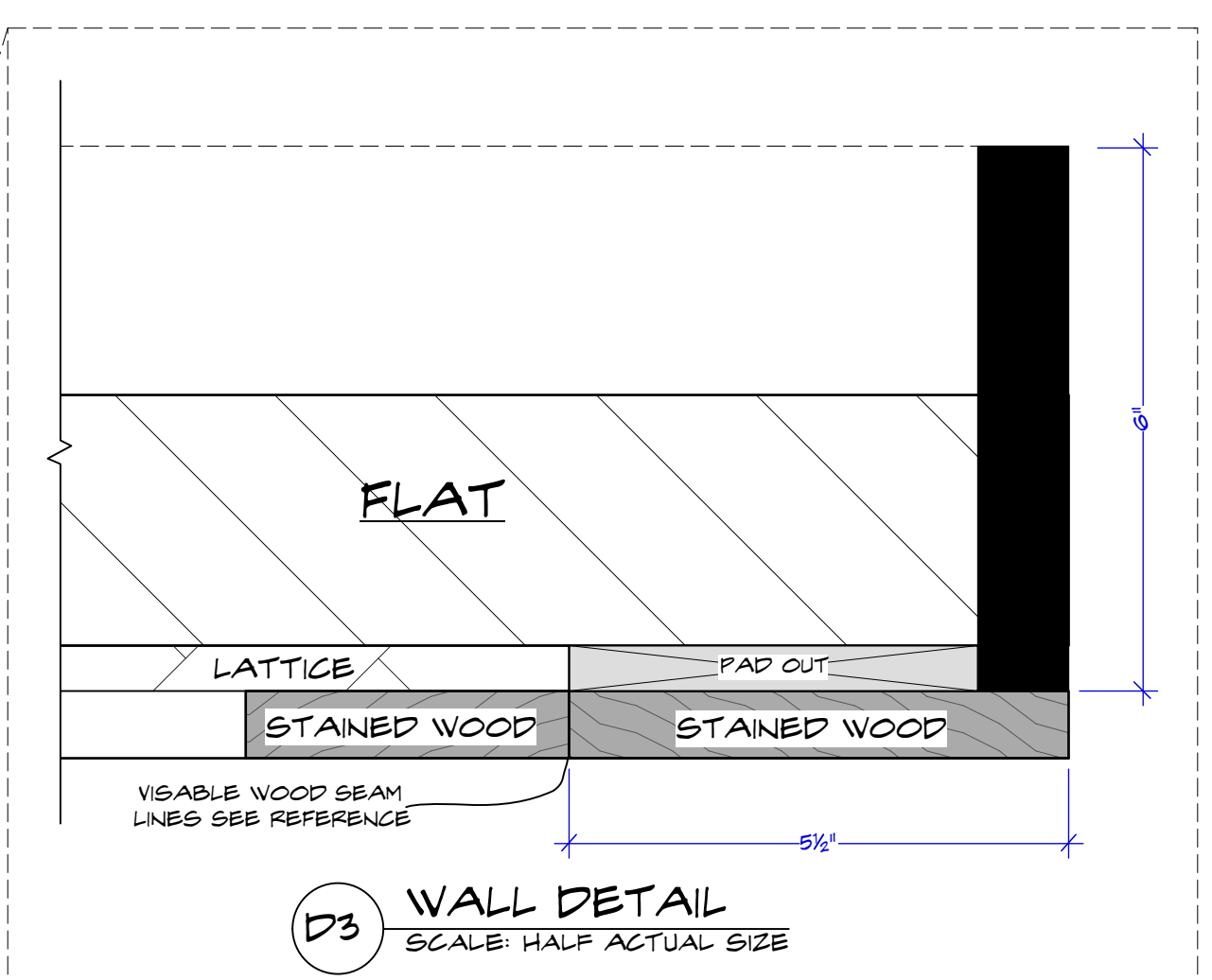
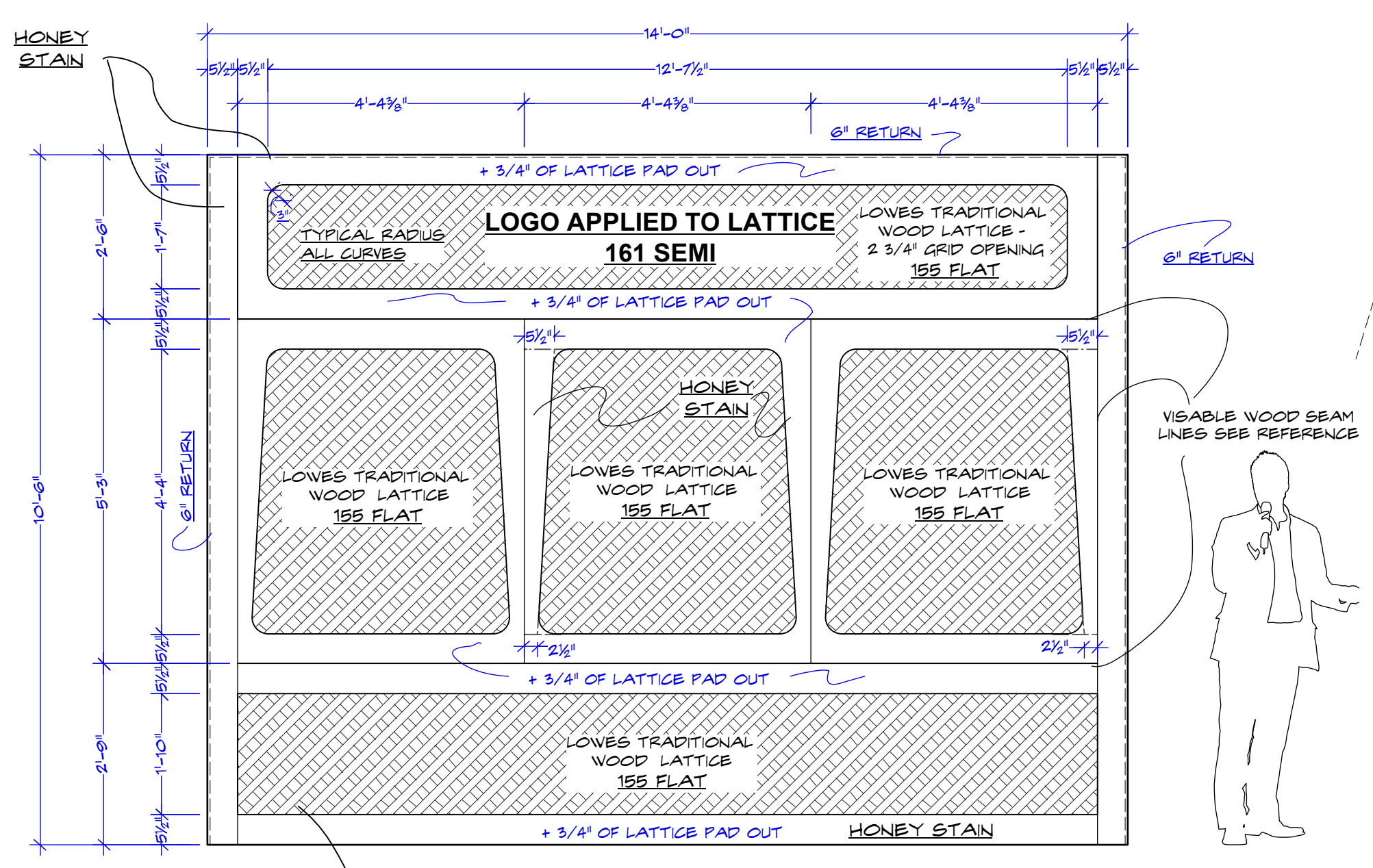
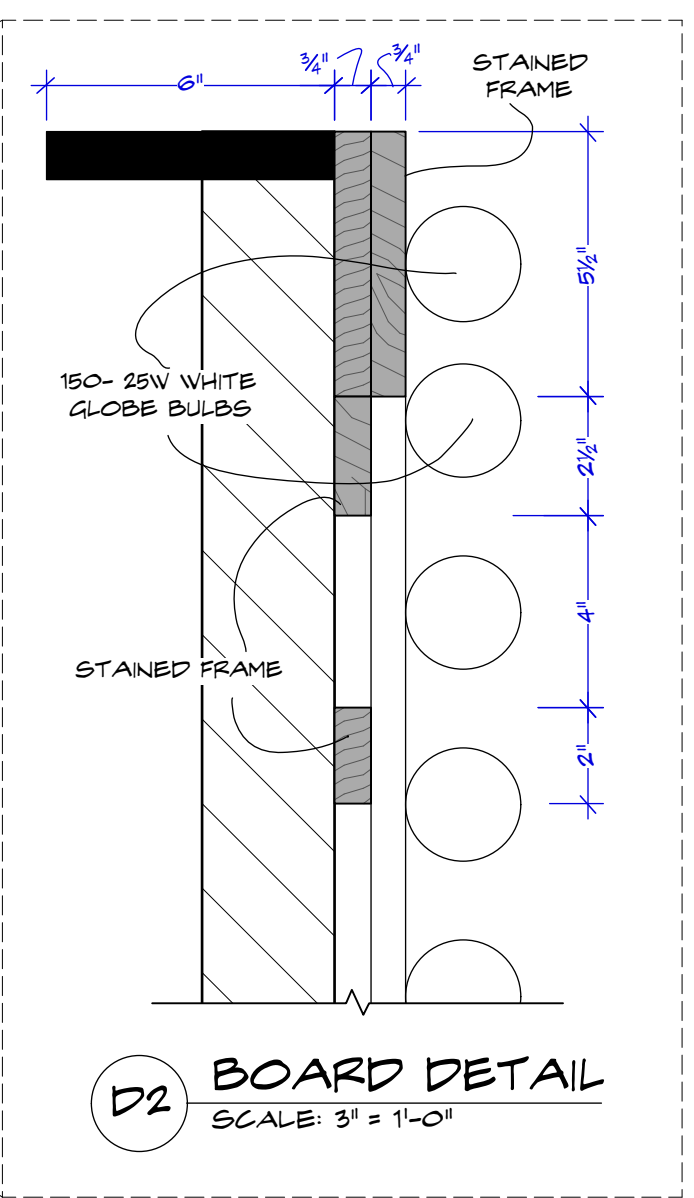
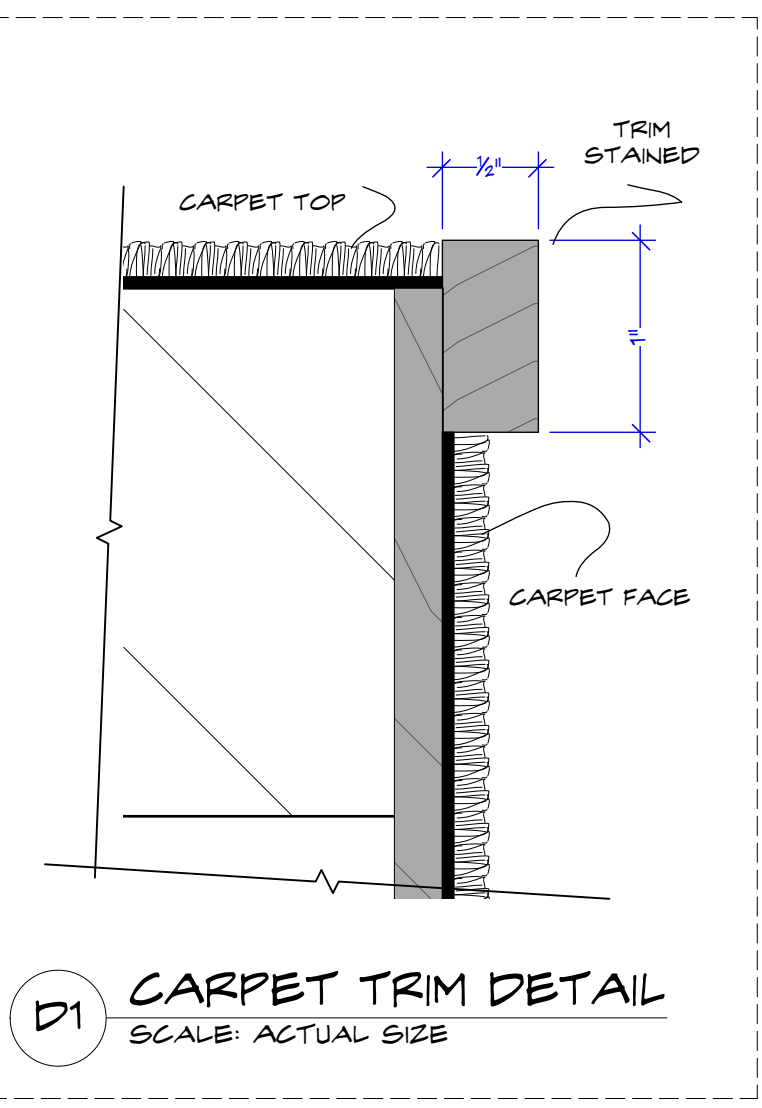
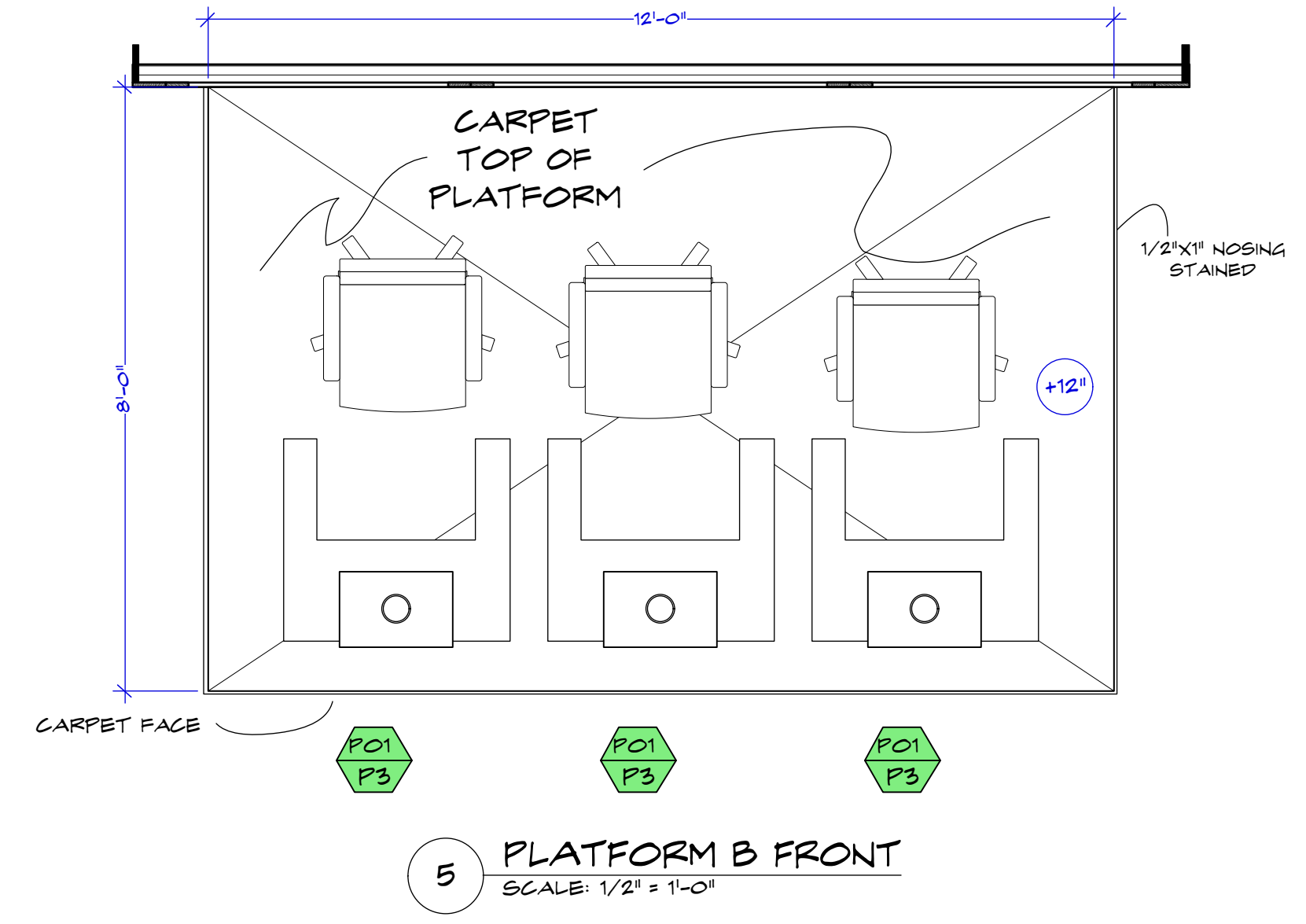
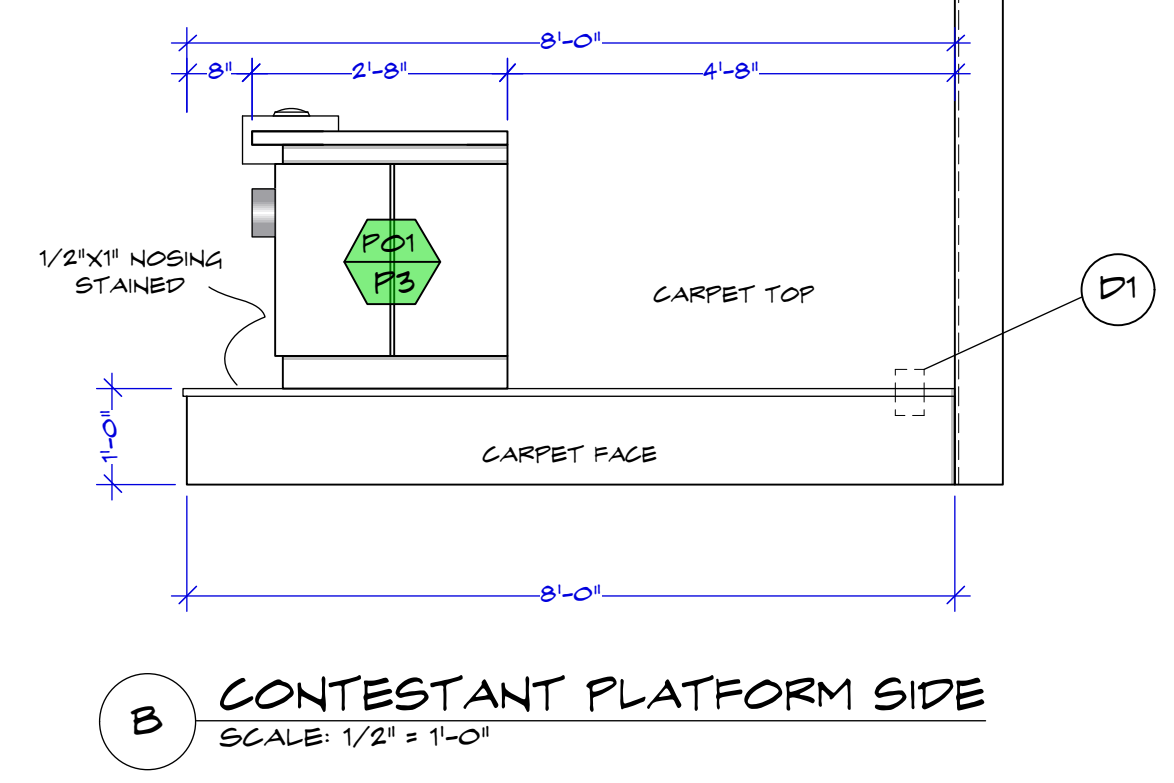
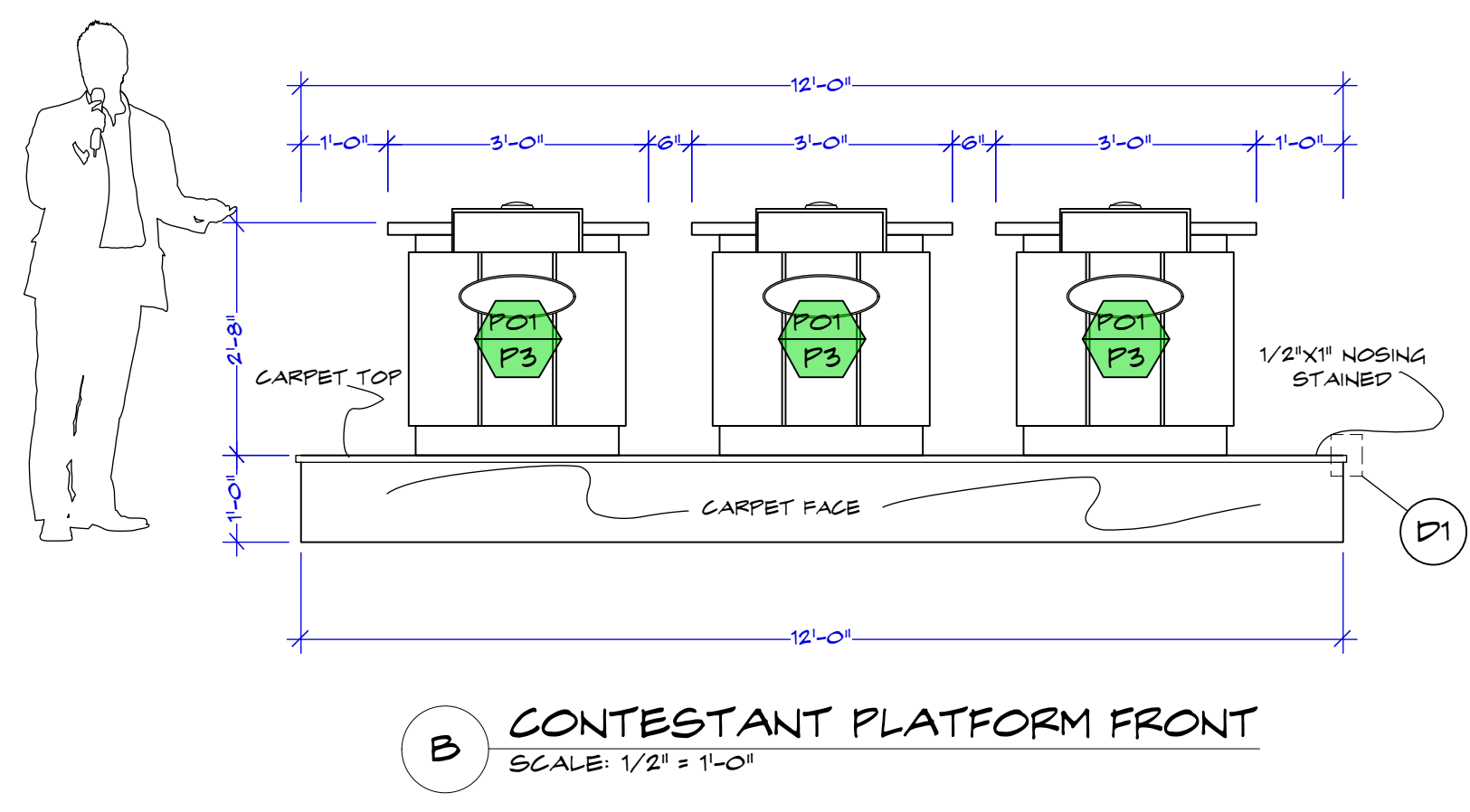
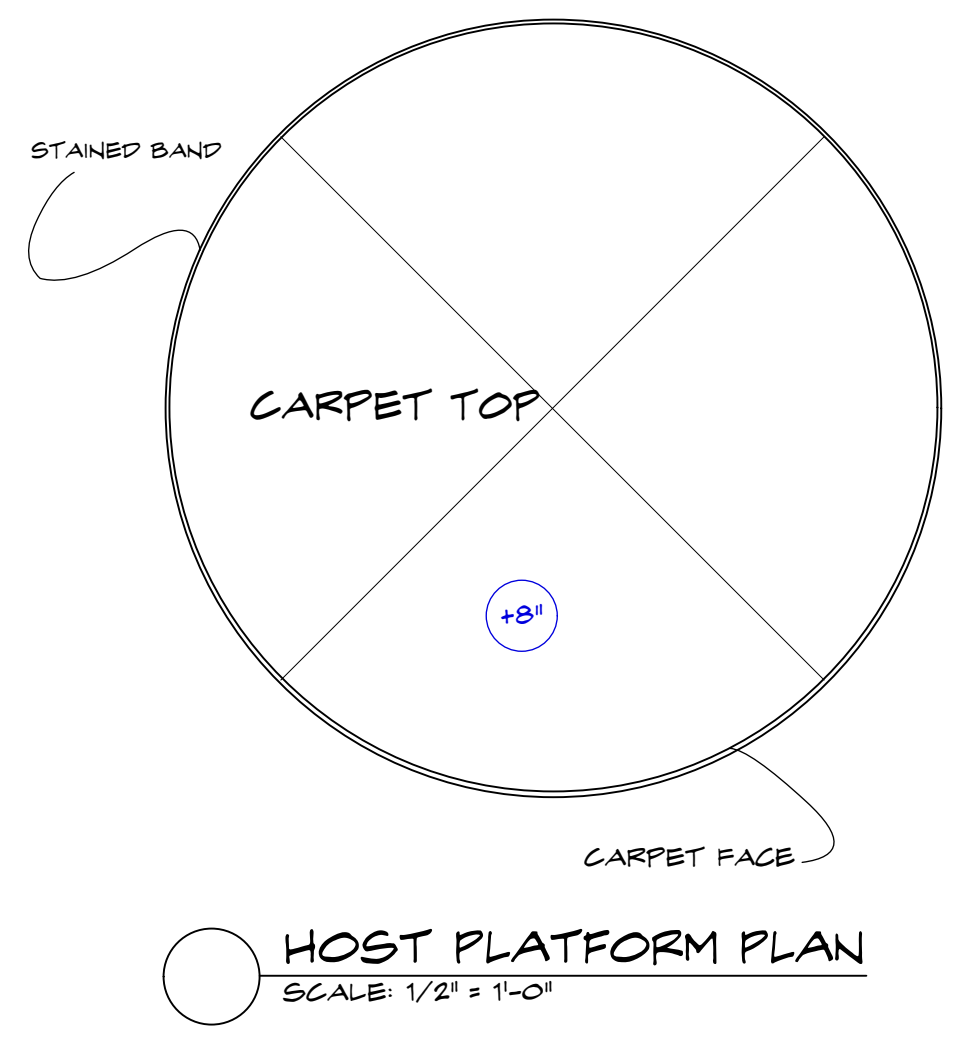
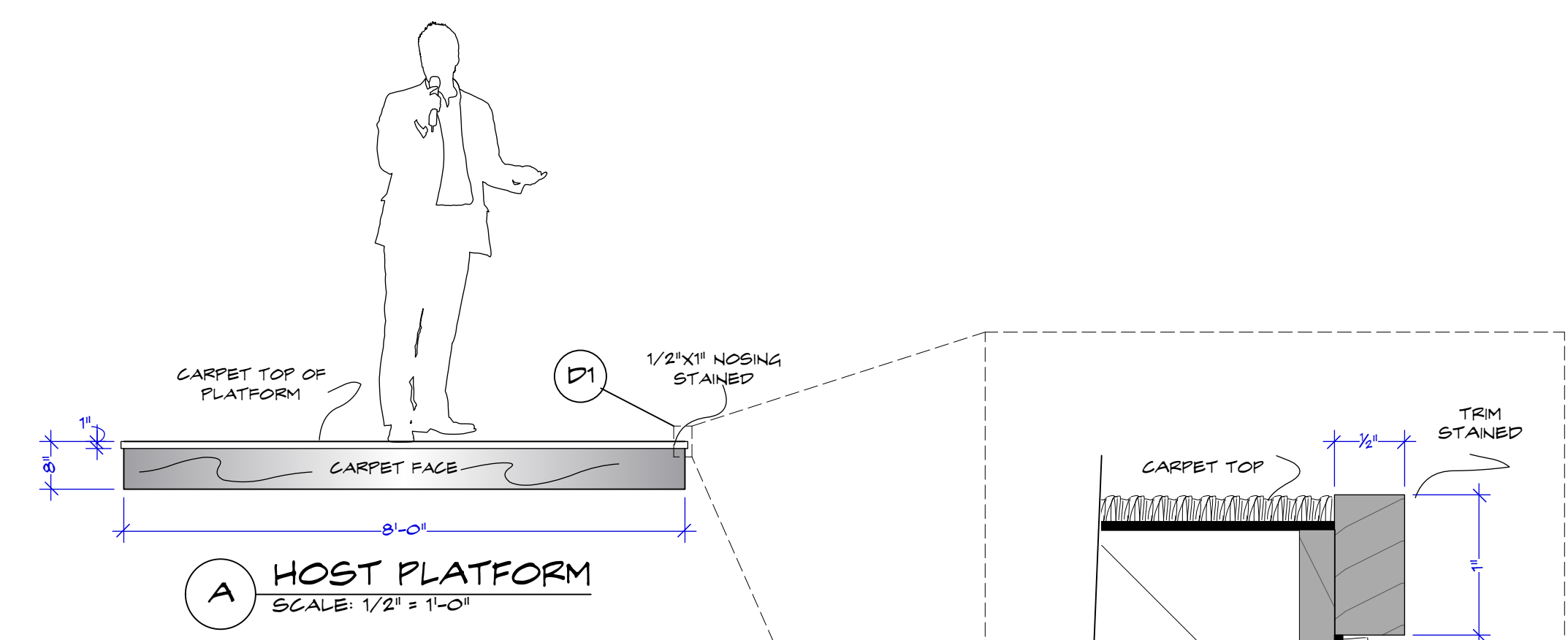
Producers:
UPM: BILL SELL
ART Director: MARCI MUDD
Constr. Coordinator: NILES NORTON

Set Name & Description:
GAME SHOW
Director: VARIOUS
Location: **STAGE 23**

Episode: **108**
Set #: **349**
Scale: **1/2"=1'-0"**

Drawing Date: **7/22/2019**
Drawn by: **M. FAHRER**
Shoot Date: **07/26/2019**
Sheet No.: **349-01**

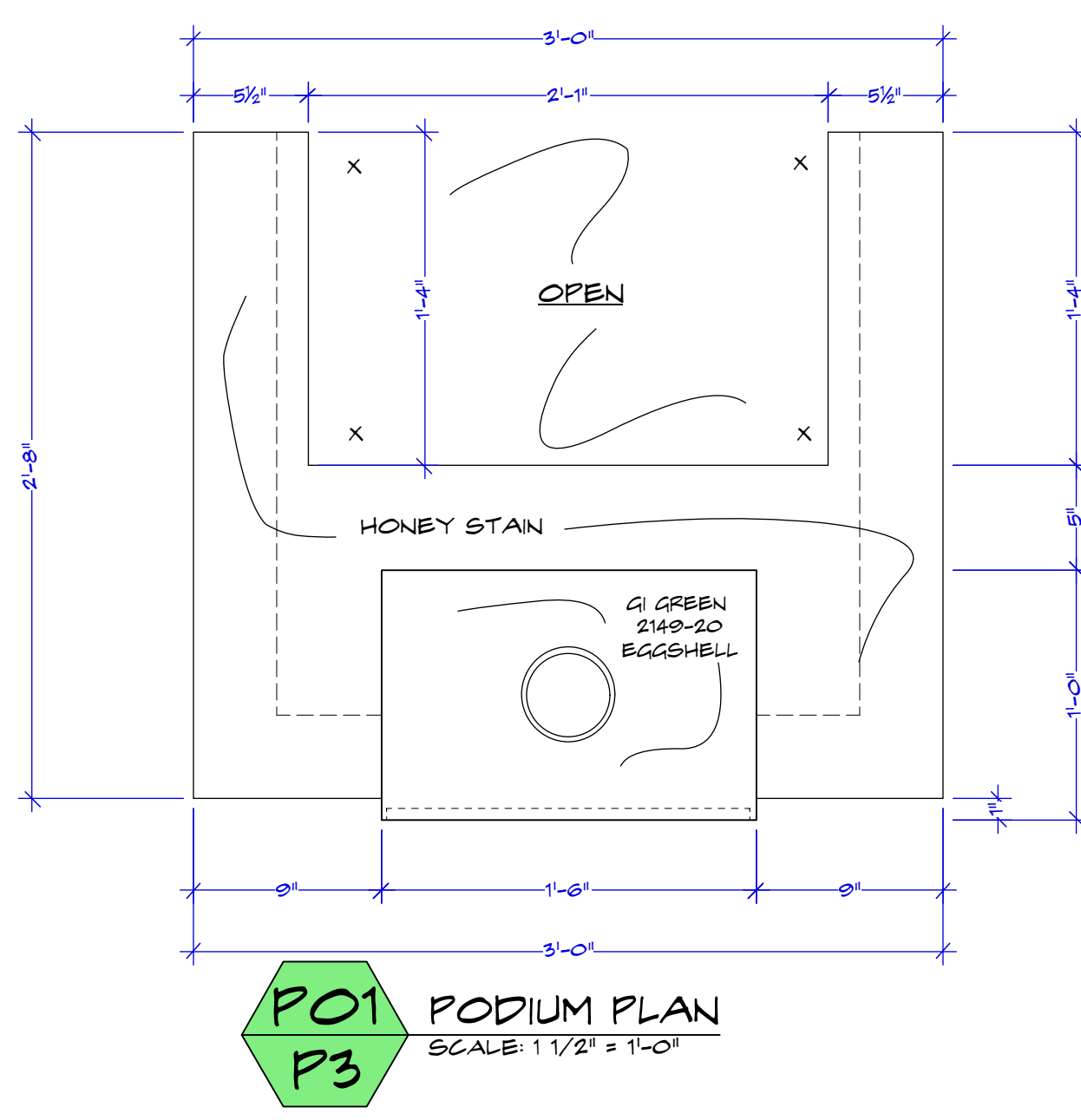
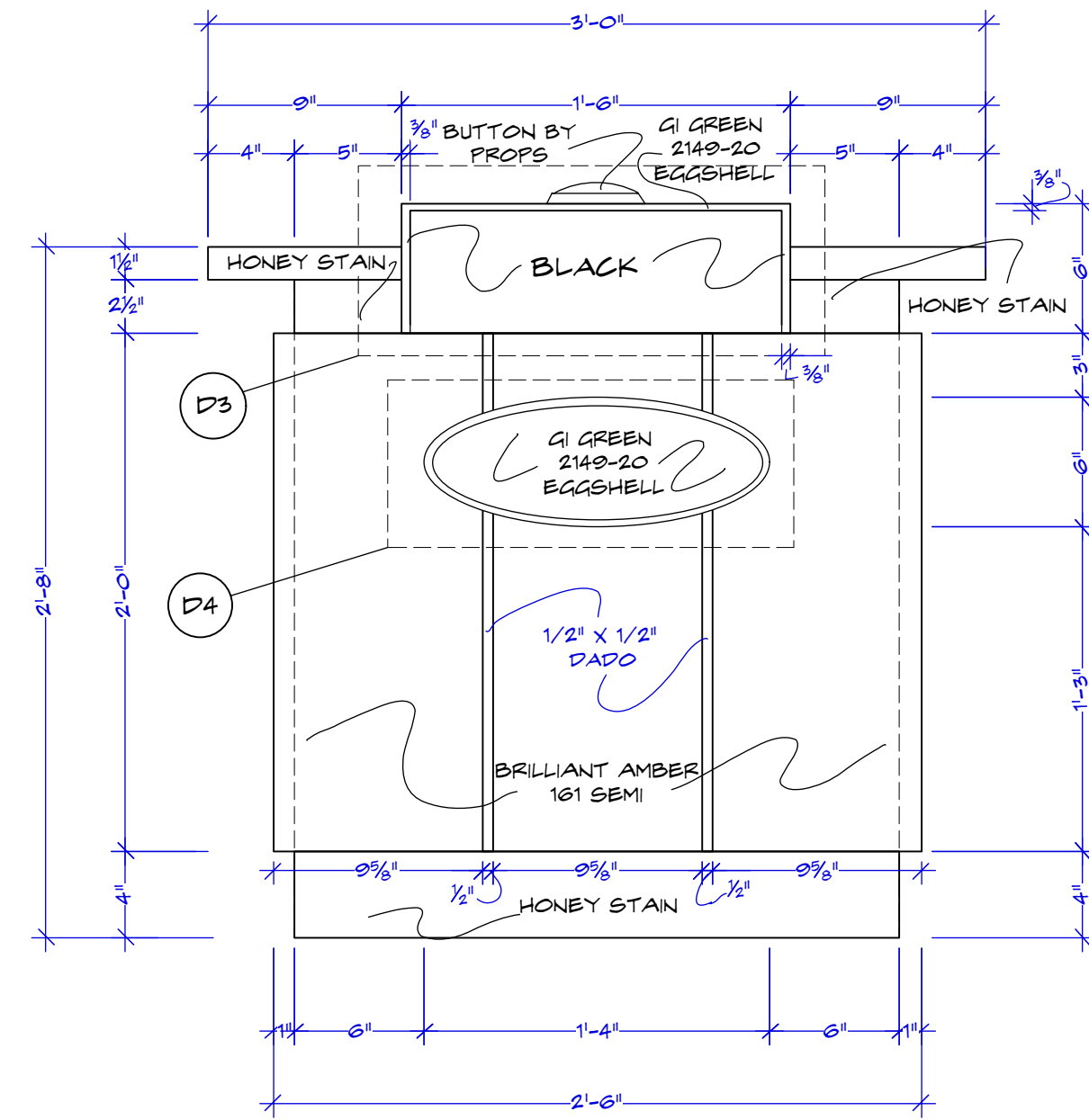
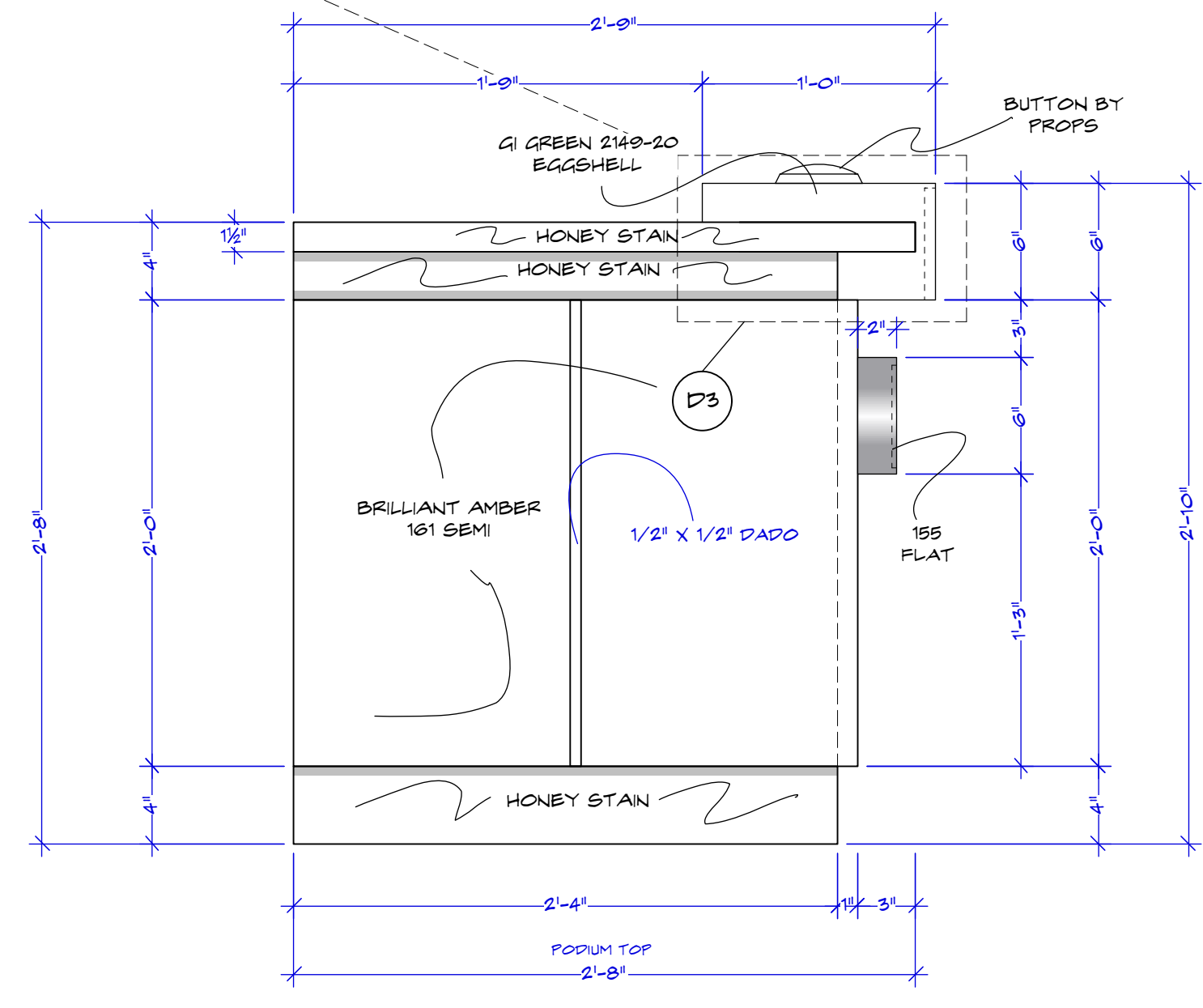
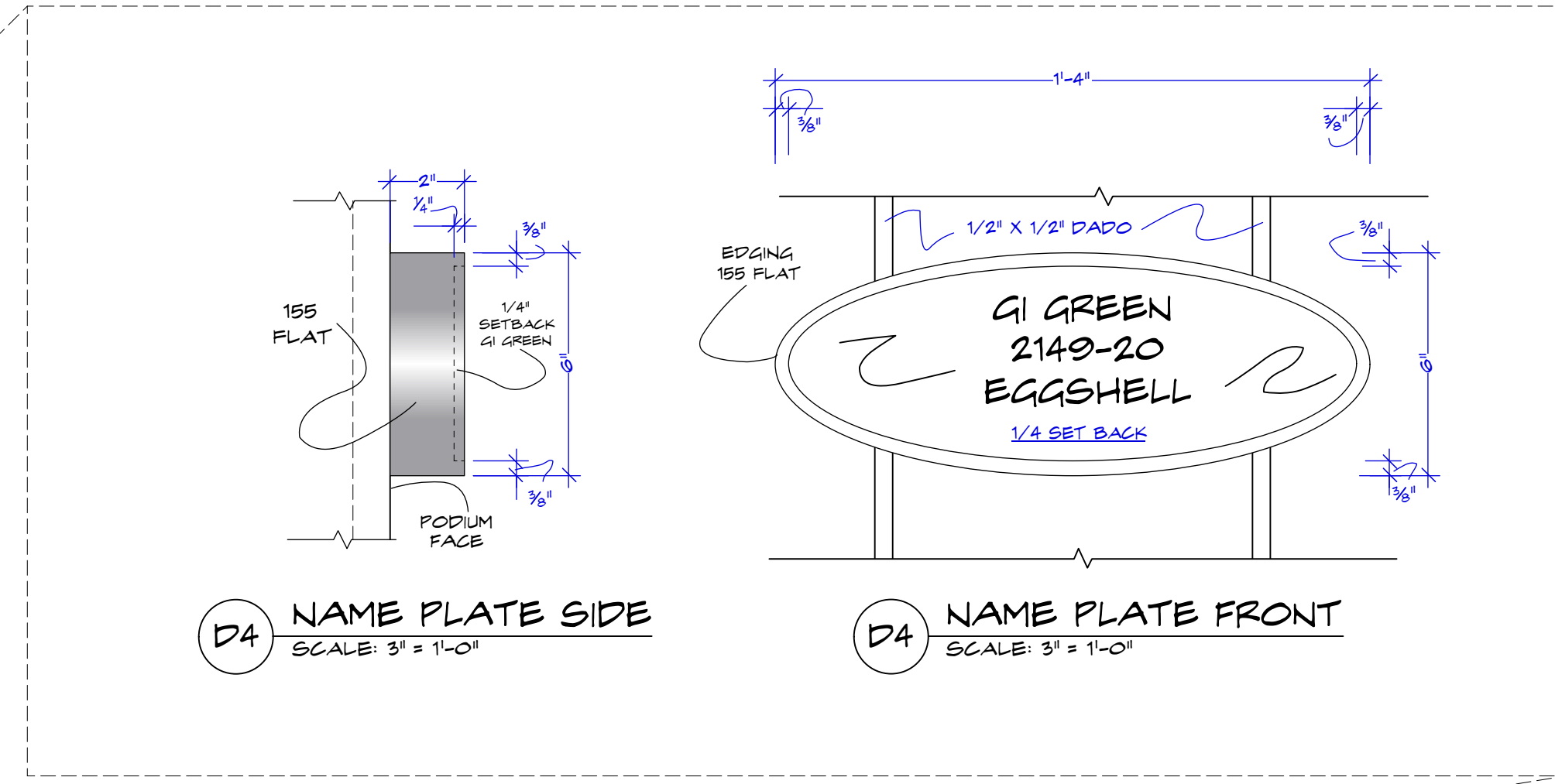
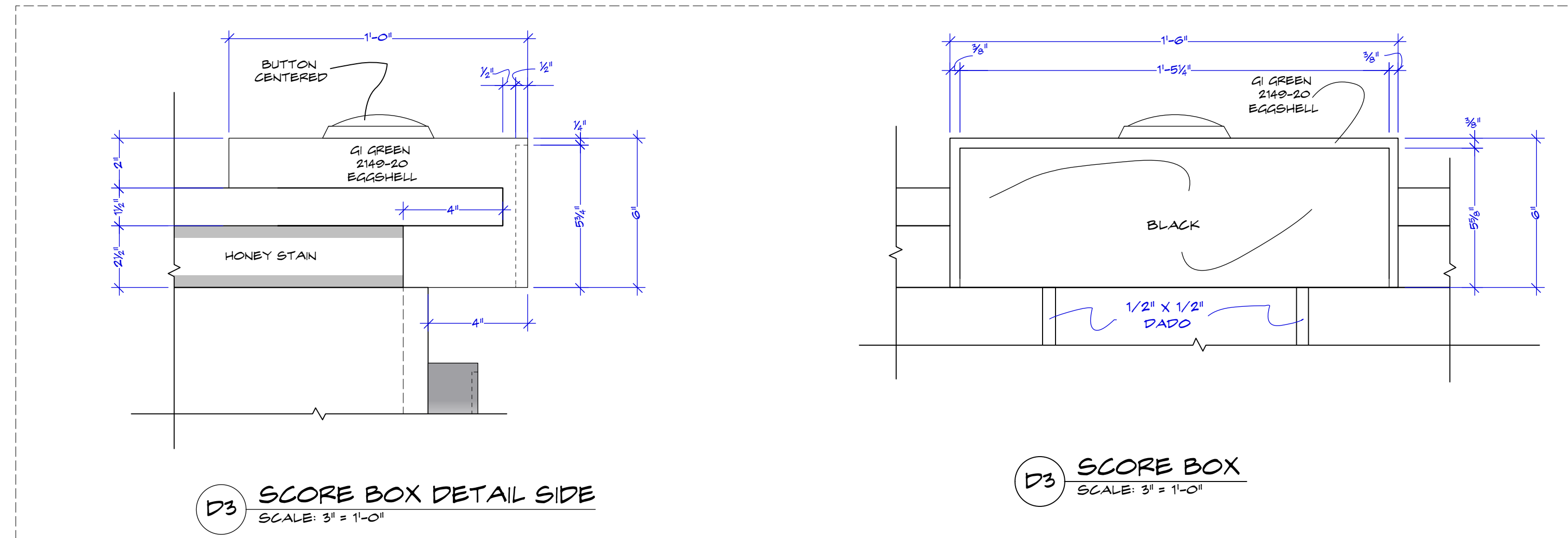
RELEASED 07/22/2019



TRUE SIZE SCALE CHECK
0 1" 2" 3"

MAKE 3 PODIUMS

MAKE 3 PODIUMS



REFERENCE IMAGES

MAKE 3 PODIUMS

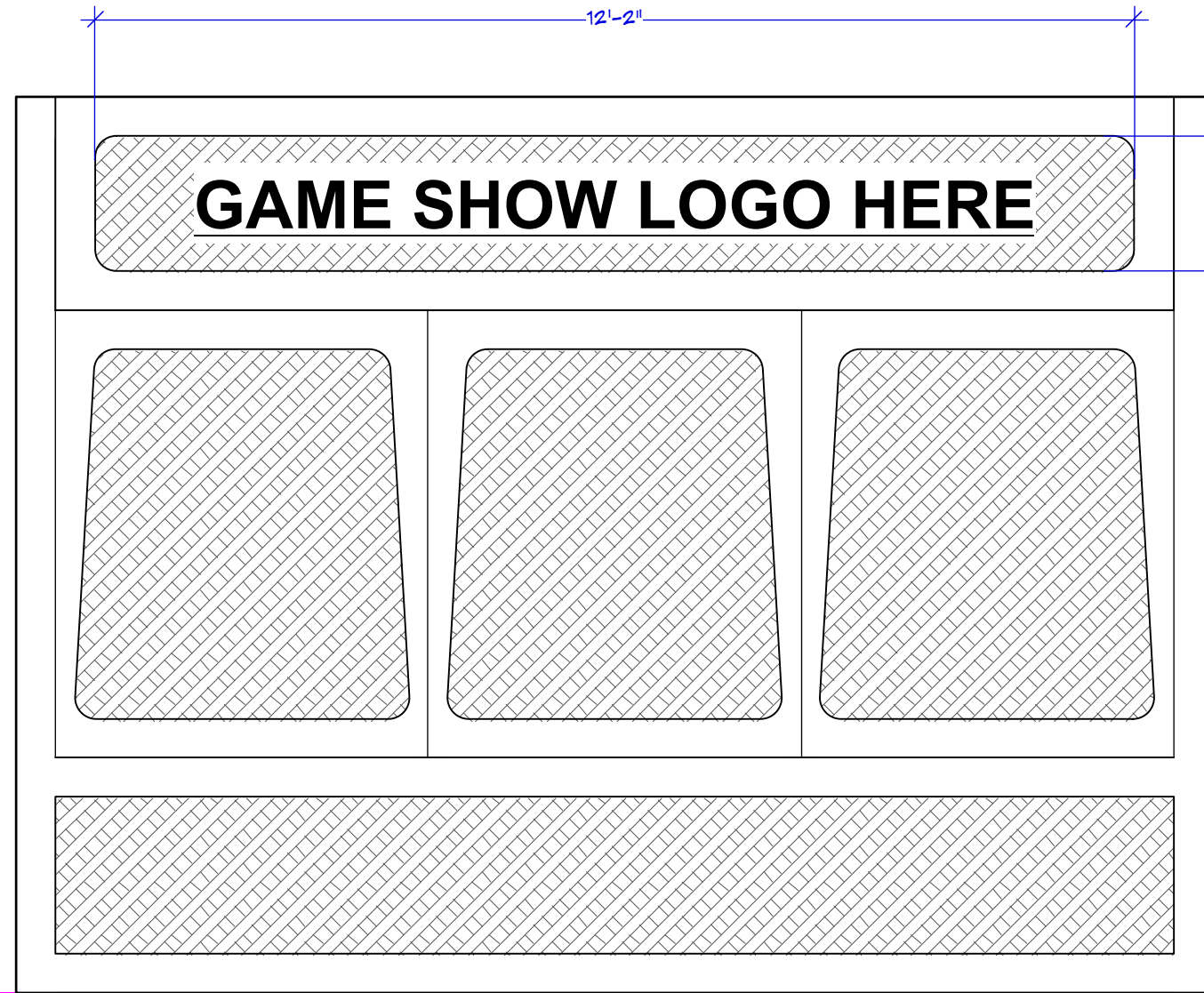
MAKE 3 PODIUMS



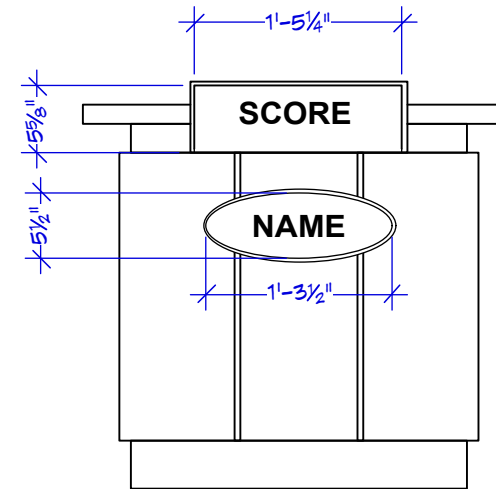
RELEASED 07/23/2019

Episode: 108	Set Name & Description: GAME SHOW - DETAILS	Exec Producer: NIKKI TOSCANO	Producer: JERRY KUPFER	Drawn By: M. FAHRER	Sheet No.: 349-03
Set #: 349	Director: VARIOUS	Line Producer: BILL SELL	UPM: BILL SELL	Drawing Date: 7/23/2019	
Scale: NOTED	Location: STAGE 28	Address: STEINER STUDIO 16 WASHINGTON AVE	Art Director: MARCI MUDD	Shoot Date: 07/26/2019	
		Prod. Designer: CURT BEECH	Const. Coordinator: NILES NORTON		
		Set Decorator: SUSAN MARSHAL			





1 CONTESTANT BACKING
SCALE: 1/2" = 1'-0"



2 PODIUM X 3
SCALE: 3/4" = 1'-0"

PRELIMINARY 7/22/19

	PROD. DESIGNER: CURT BEECH ART DIRECTOR: MARCI MUDD	DRAWING: GRAPHIC LAYOUT	SHOOT DATE: XX/XX/2019	SET #: 349	DATE DRAWN: 7/22/2019	GAME SHOW
	DRAWING BY: M. FAHRER	LOCATION: LOCATION ADDRESS	SCALE: NOTED	SCENE #: XX	REVISED: XX/XX/2019	