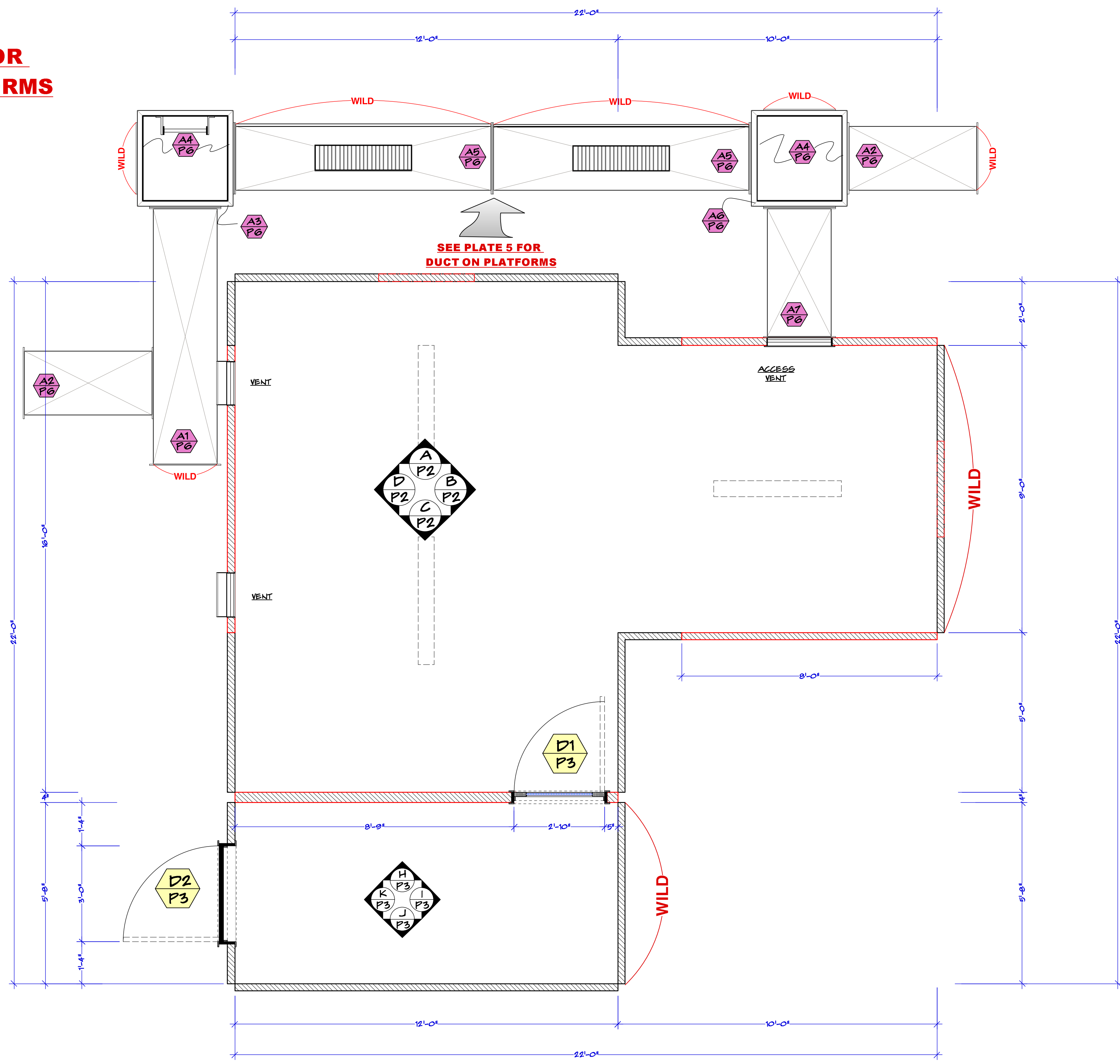


**SEE PLATE 5 FOR
DUCT ON PLATFORMS**



**SEE PLATE 5 FOR
DUCT ON PLATFORMS**



Exec Producer: NIKKI TOSCANO
 Line Producer: BILL SELL
 Address: STEINER STUDIO 15 WASHINGTON AVE
 Prod. Designer: CURT BEECH
 Set Decorator: SUSAN MARSHAL

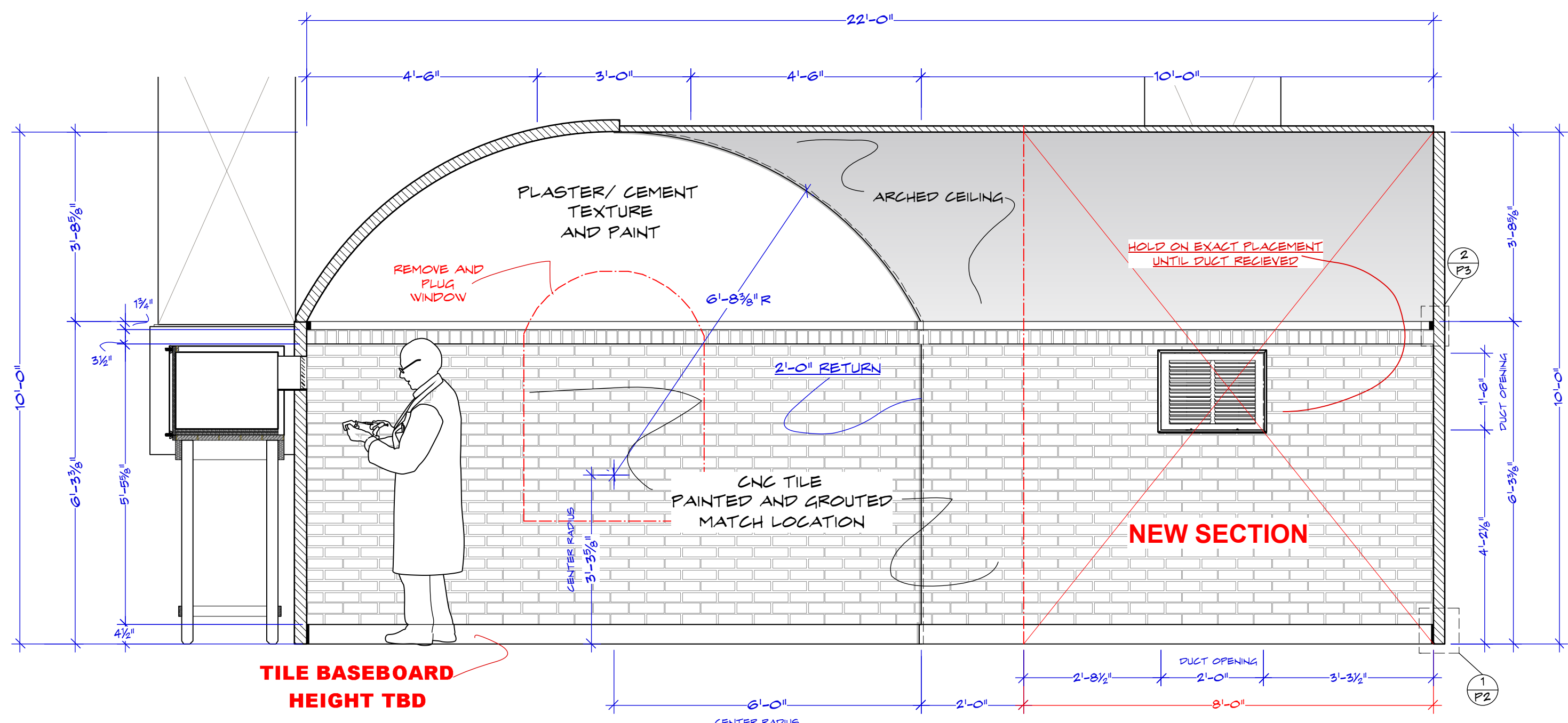
Producer: JERRY KUPFER
 UPM: BILL SELL
 Address: STEINER STUDIO 15 WASHINGTON AVE
 Art Director: MARCI MUDD
 Const. Coordinator: NILES NORTON

Set Name & Description:
BUNKER TECH PLAN
 Director: VARIOUS
 Location: **STAGE 28**

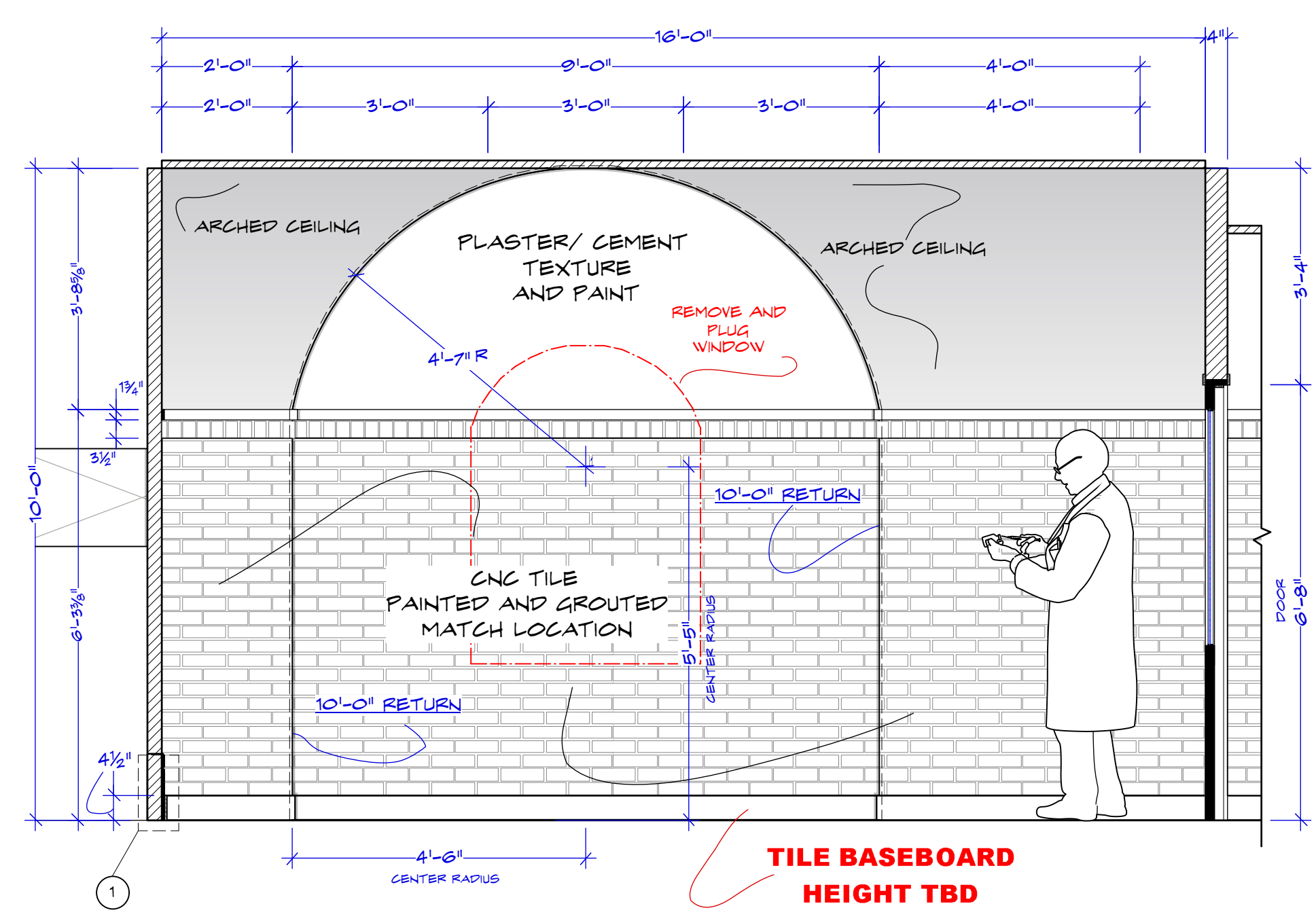
Episode: **109**
 Set #: **371**
 Scale: **1/2"=1'-0"**

Drawing Date: **8/8/2019**
 Drawn by: **M Fahrer**
 Shoot Date: **XXXX/2019**
 Sheet No.: **371-01**

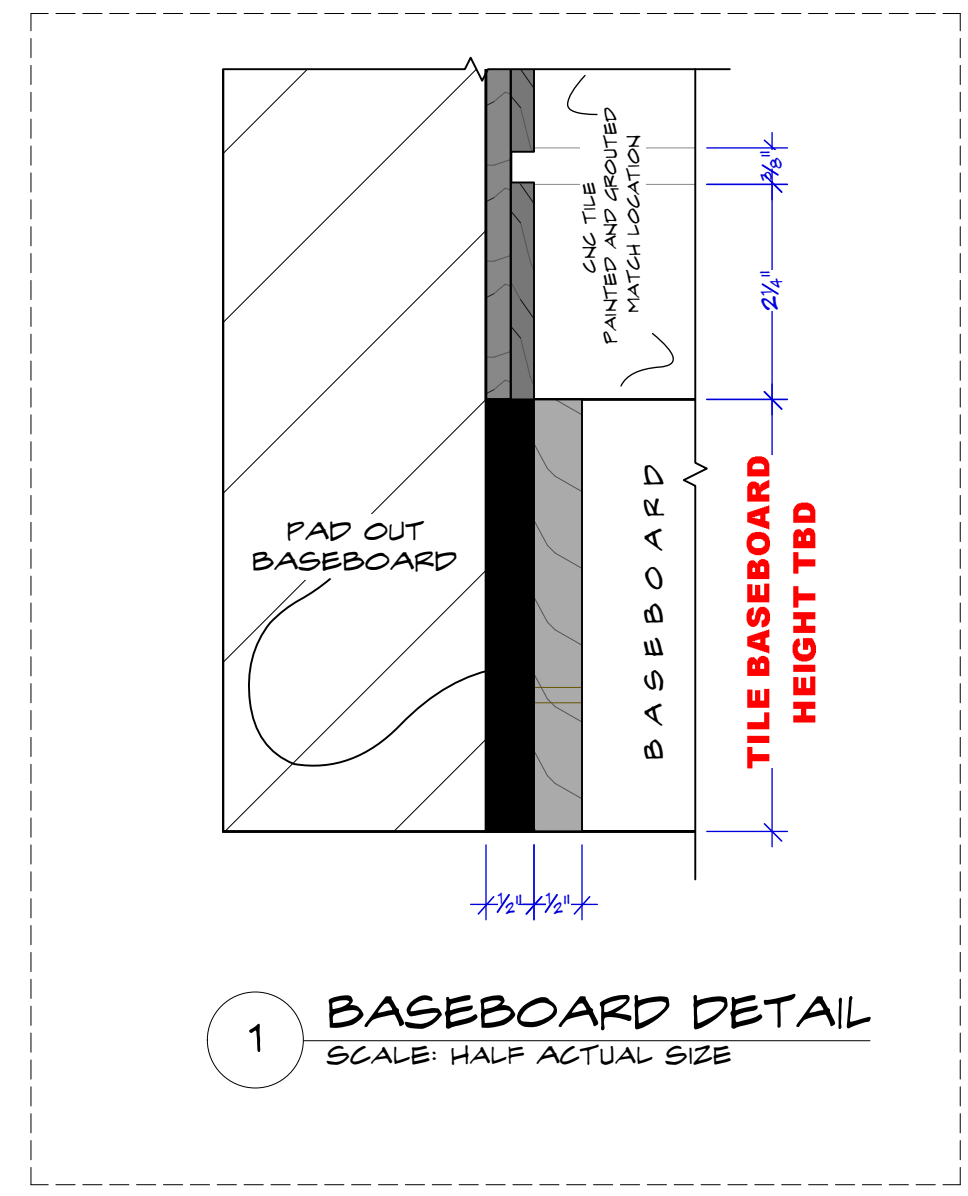
RELEASED 08/08/2019



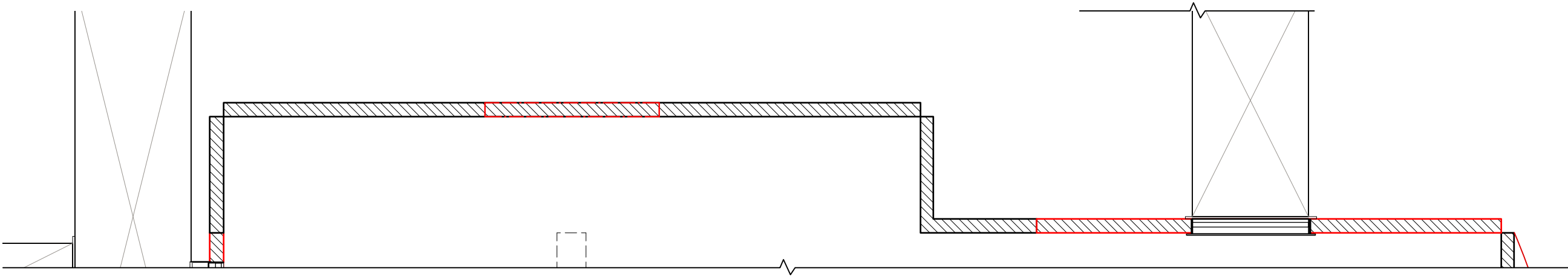
A OFFICE WINDOW A
SCALE: 1/2" = 1'-0"



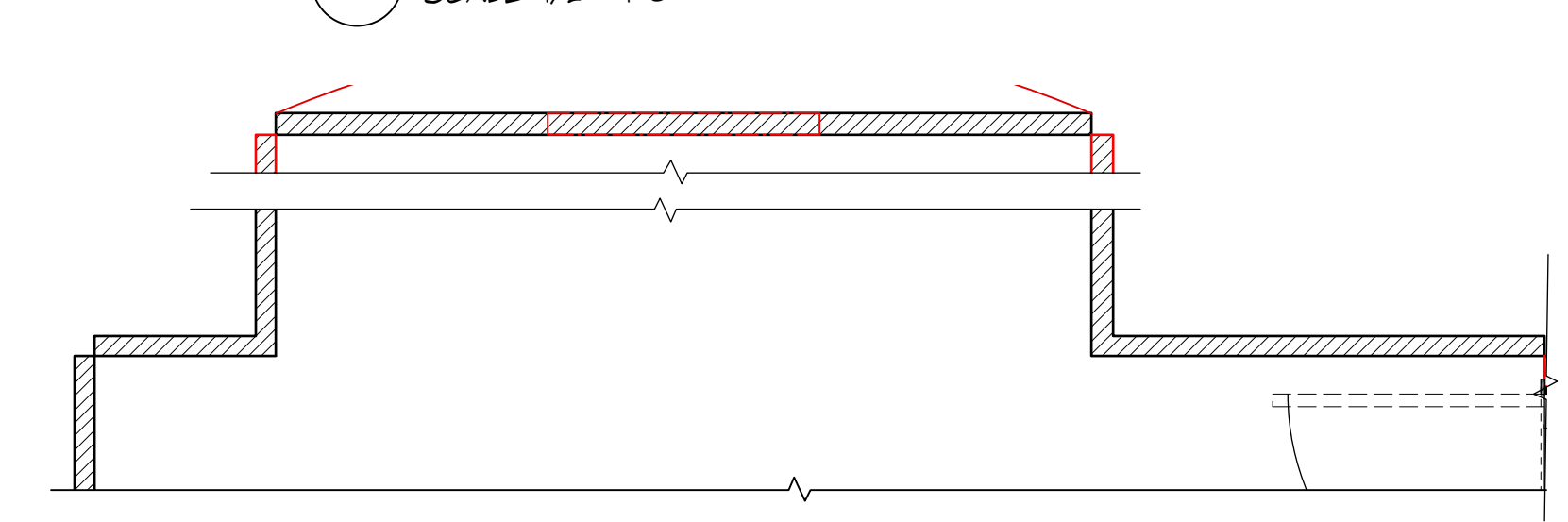
B SIDE WALL WITH WINDOW B
SCALE: 1/2" = 1'-0"



1 BASEBOARD DETAIL
SCALE: 1/2" = 1'-0"



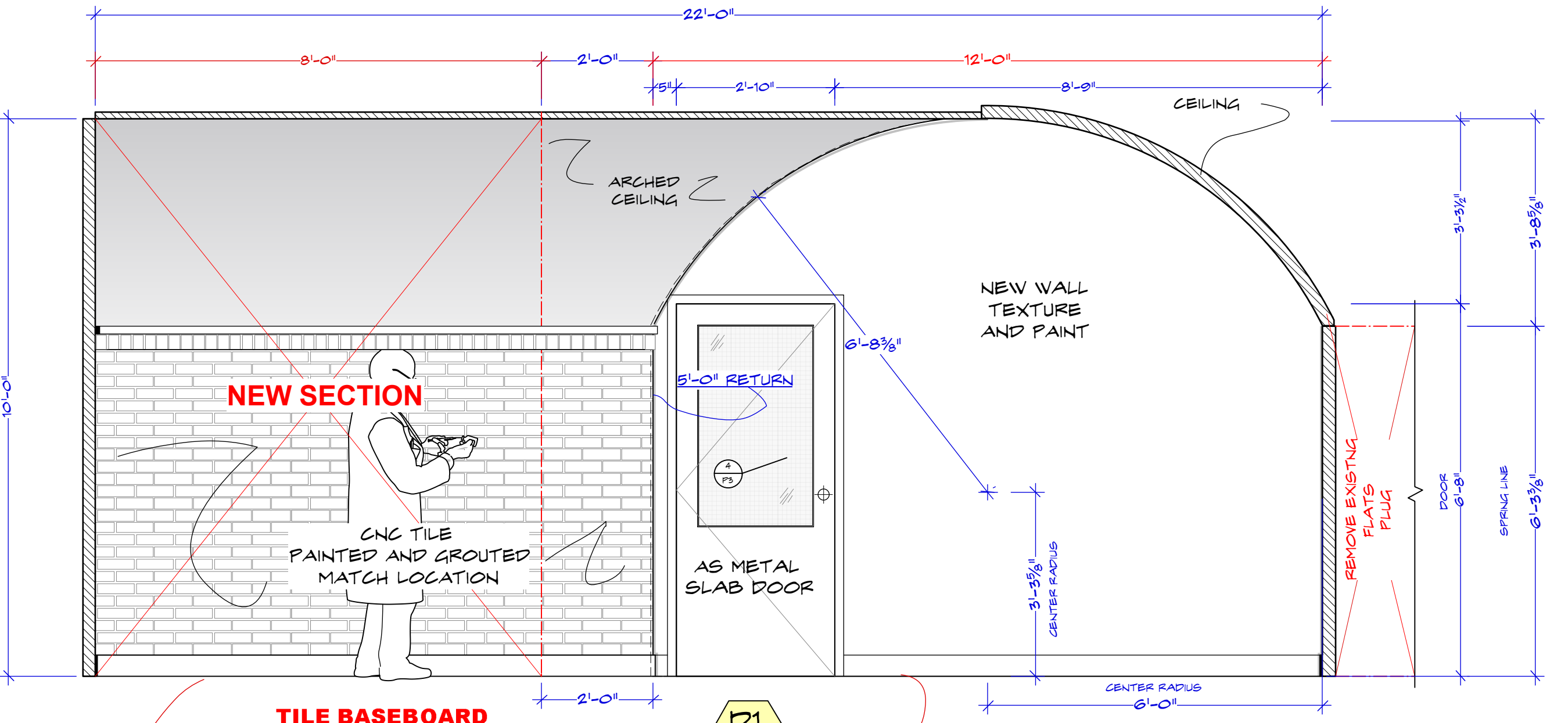
WALL A PLAN
SCALE: 1/2" = 1'-0"



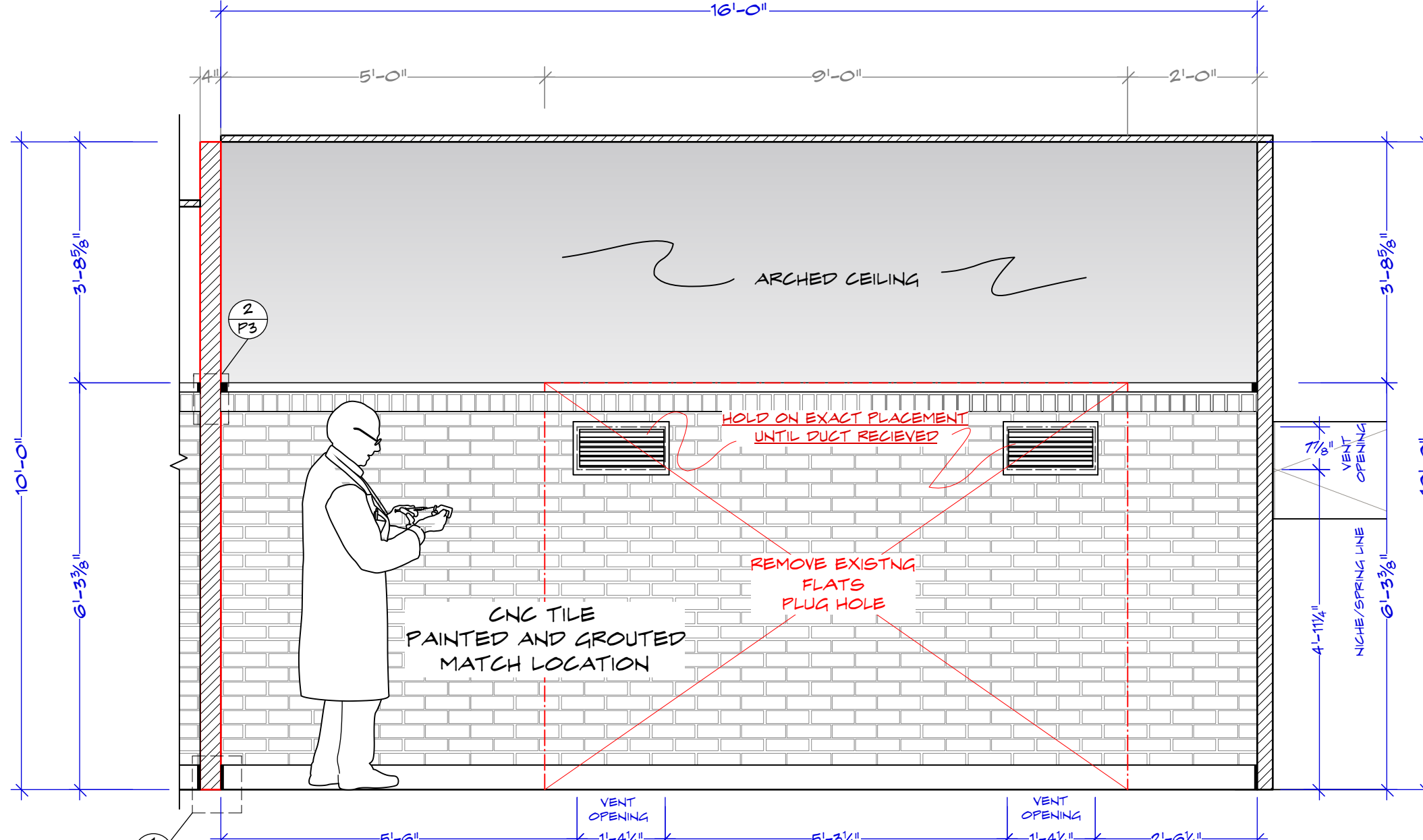
WALL B PLAN
SCALE: 1/2" = 1'-0"



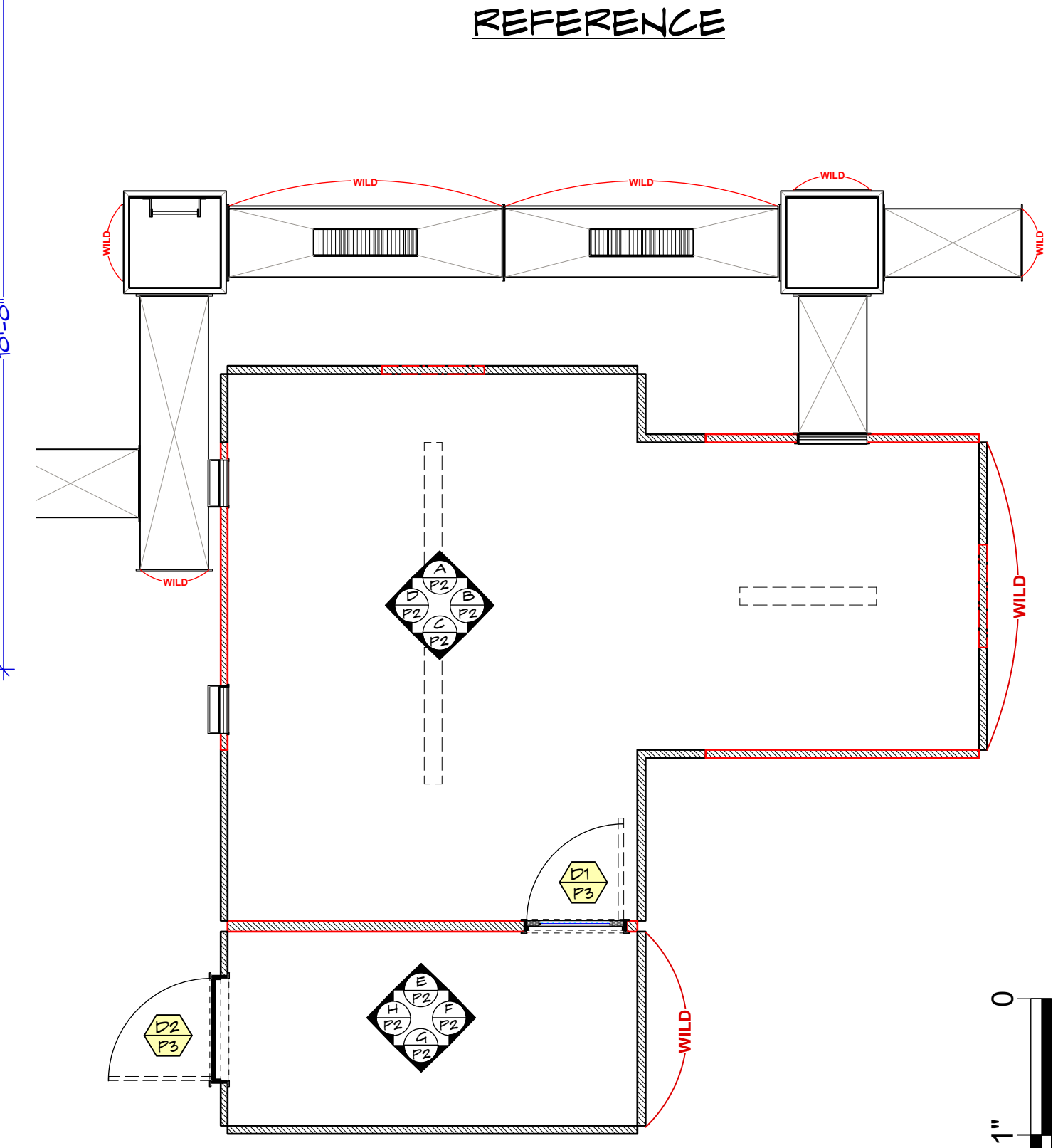
REFERENCE



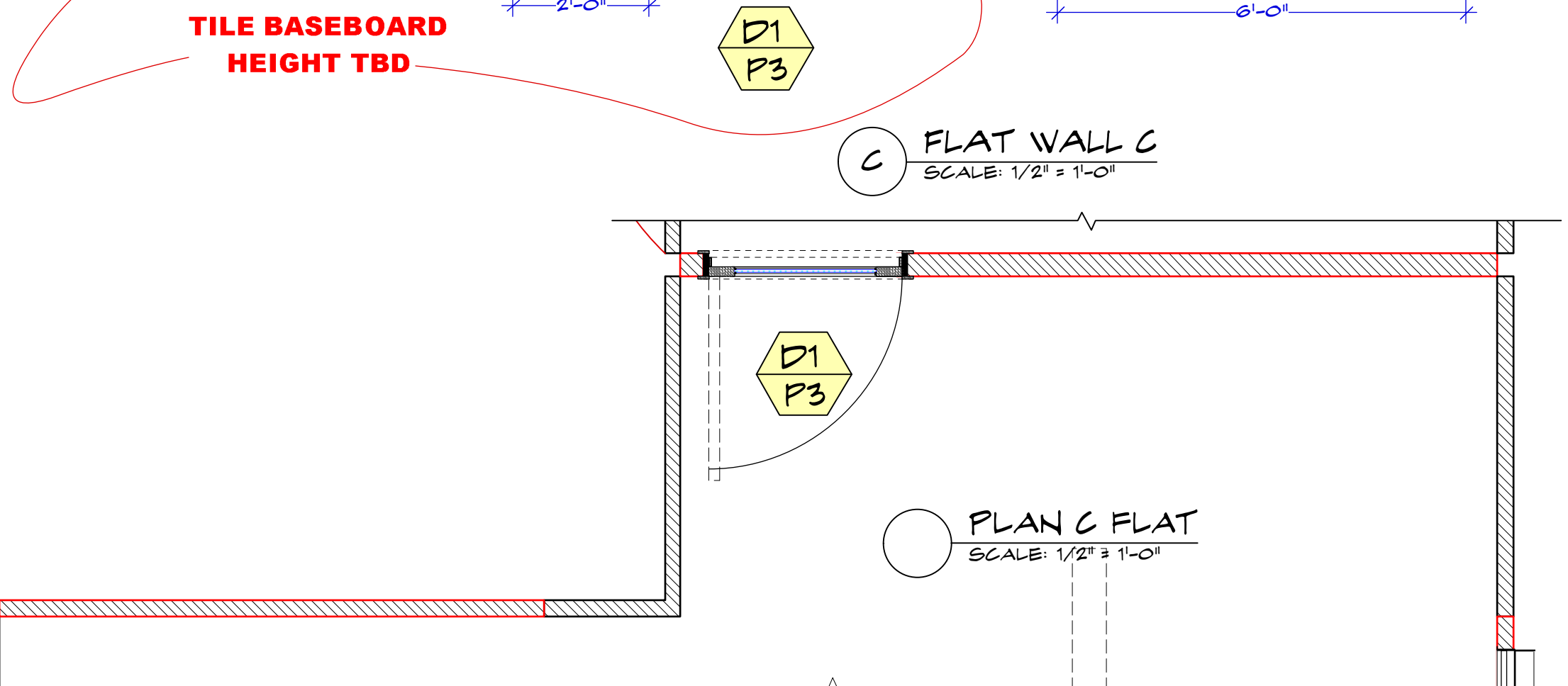
C FLAT WALL C
SCALE: 1/2" = 1'-0"



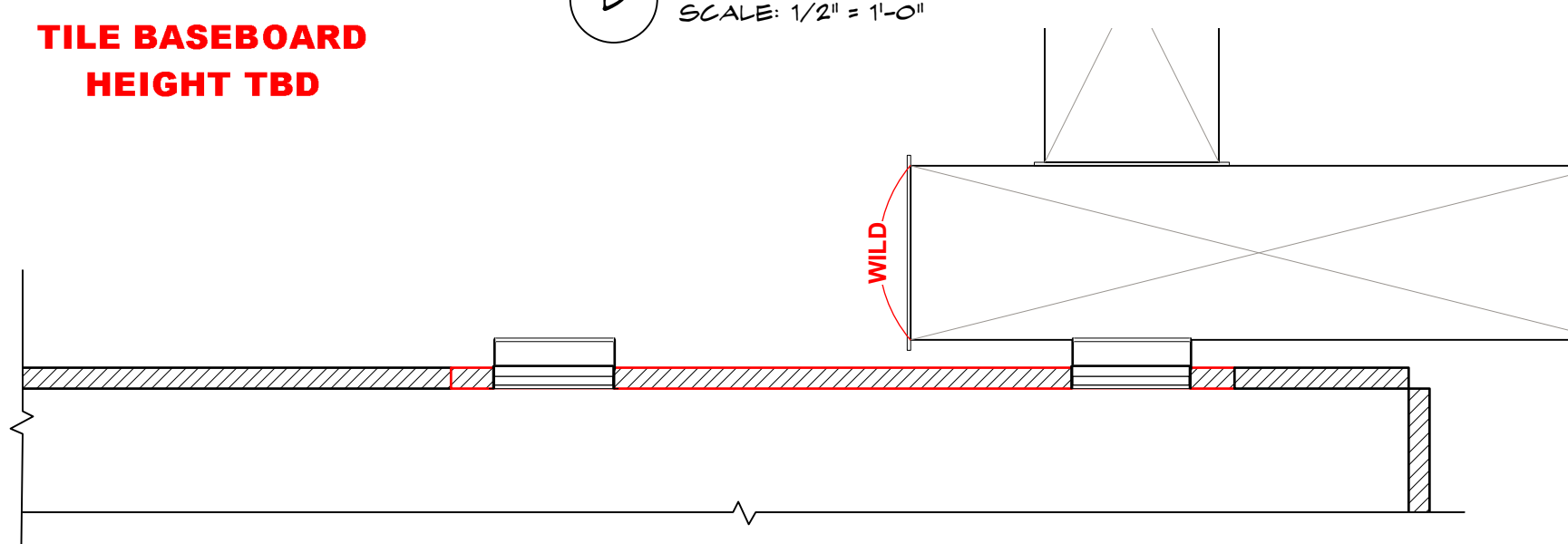
D WALL D FRONT VIEW
SCALE: 1/2" = 1'-0"



REFERENCE PLAN
SCALE: 1/4" = 1'-0"



PLAN C FLAT
SCALE: 1/2" = 1'-0"



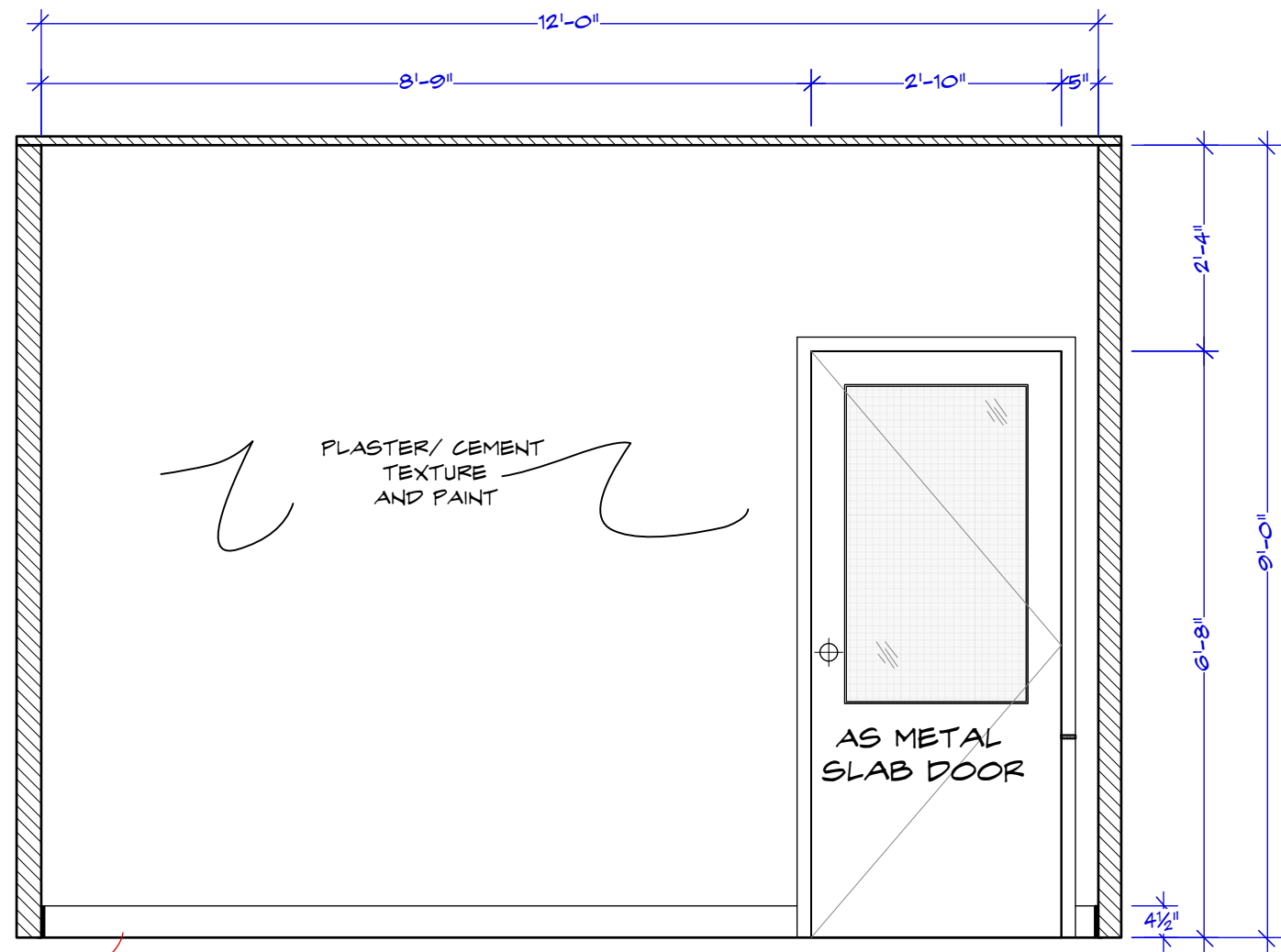
WALL D PLAN
SCALE: 1/2" = 1'-0"

TRUE SIZE SCALE CHECK
109_371_Bunker_Elevations.vrx

RELEASED 08/08/2019

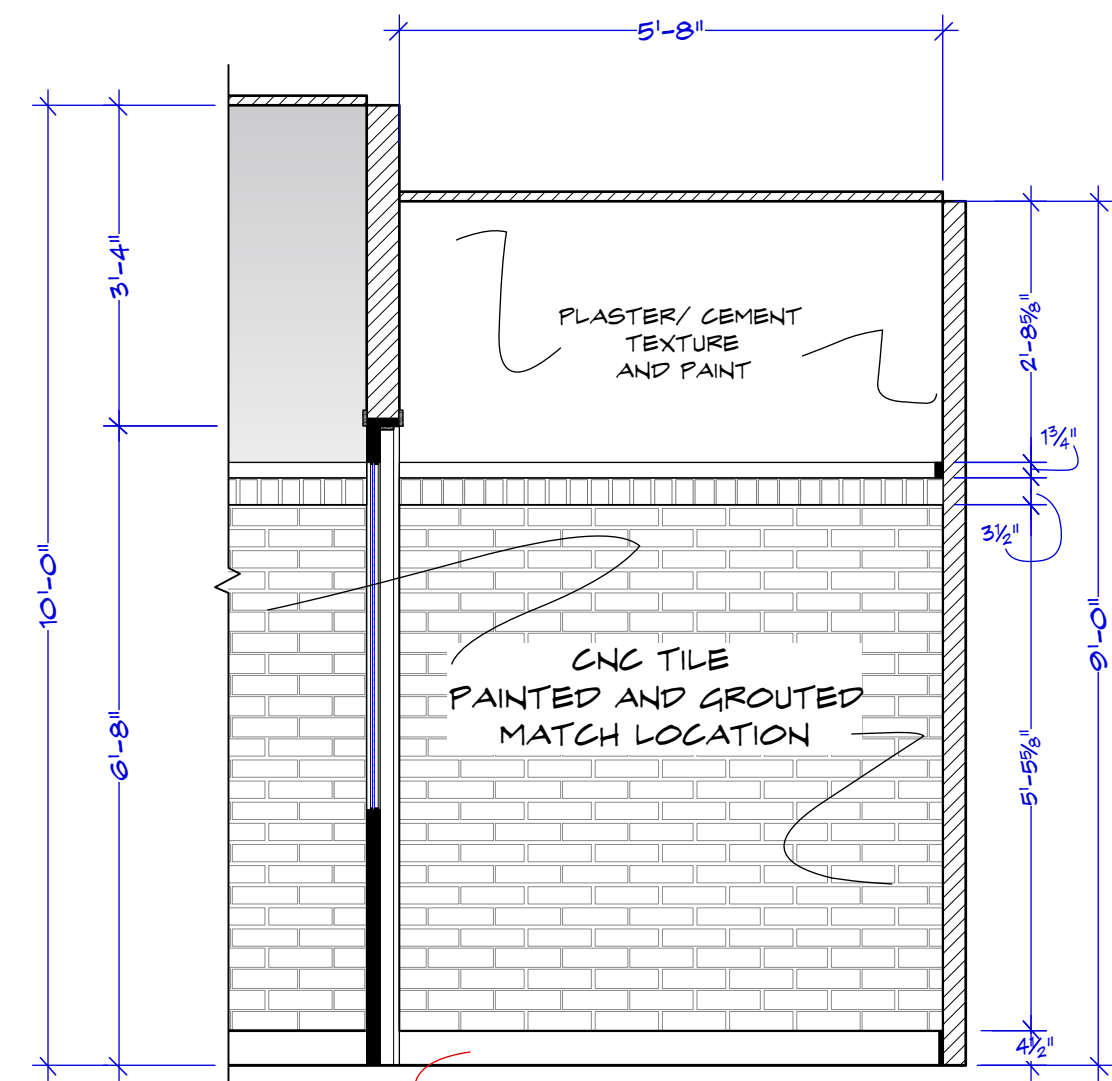
Episode: 109	Set #: 371	Scale: NOTED
Drawn by: M Fahrner	Shot Date: XXXXX2019	Sheet No.: 371-02
Set Name & Description: BUNKER ELEVATION		
Director: VARIOUS	Location: STAGE 23	
Exec Producer: NIKKI TOSCANO	Producer: JERRY KUPFER	Line Producer: BILL SELL
Address: STEINER STUDIO 15 WASHINGTON AVE	UPM: BILL SELL	AT Director: MARCO MUDD
Prod. Designer: CURT BEECH	Constr. Coordinator: NILES NORTON	





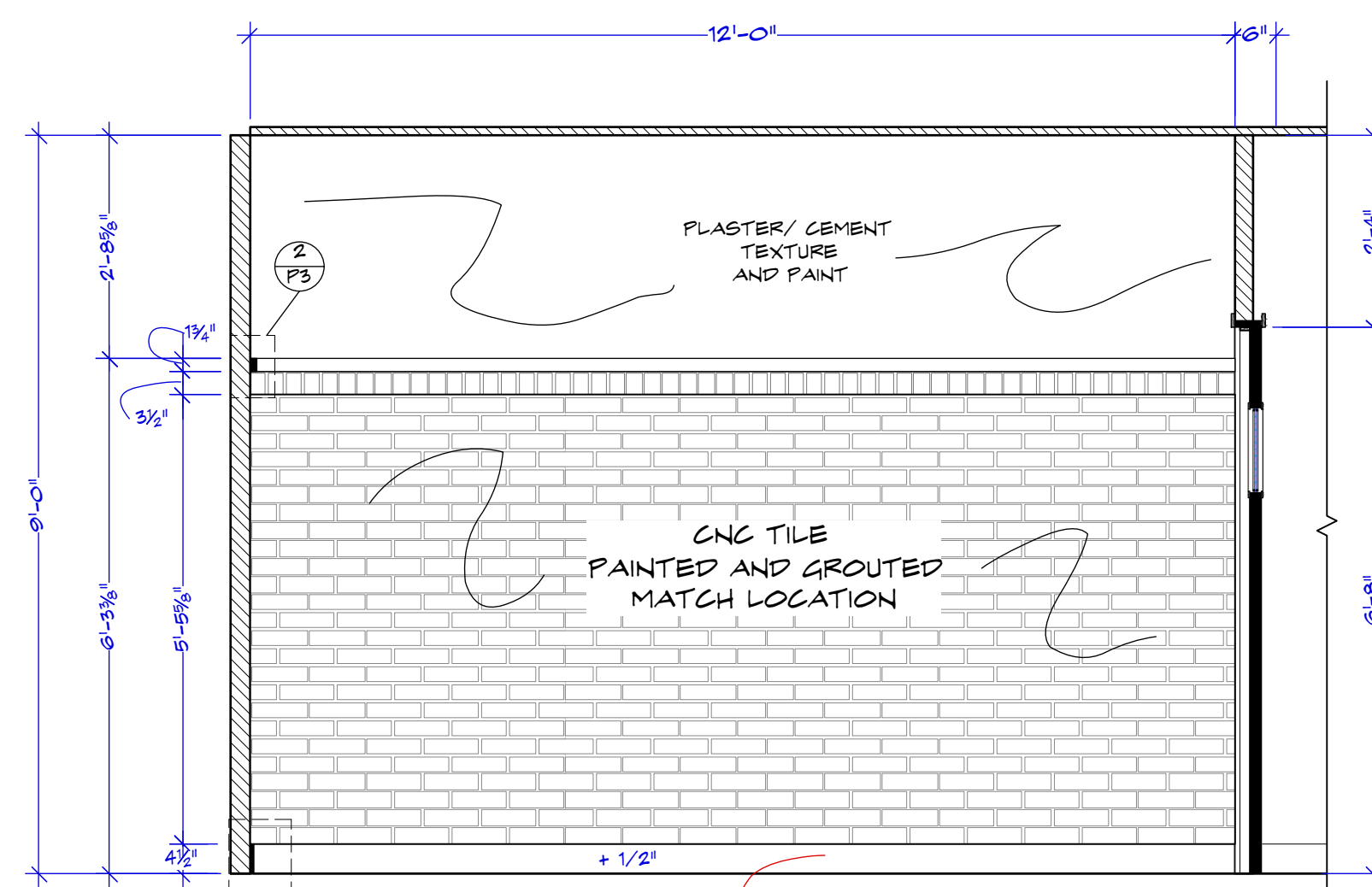
TILE BASEBOARD HEIGHT TBD

D1 P3



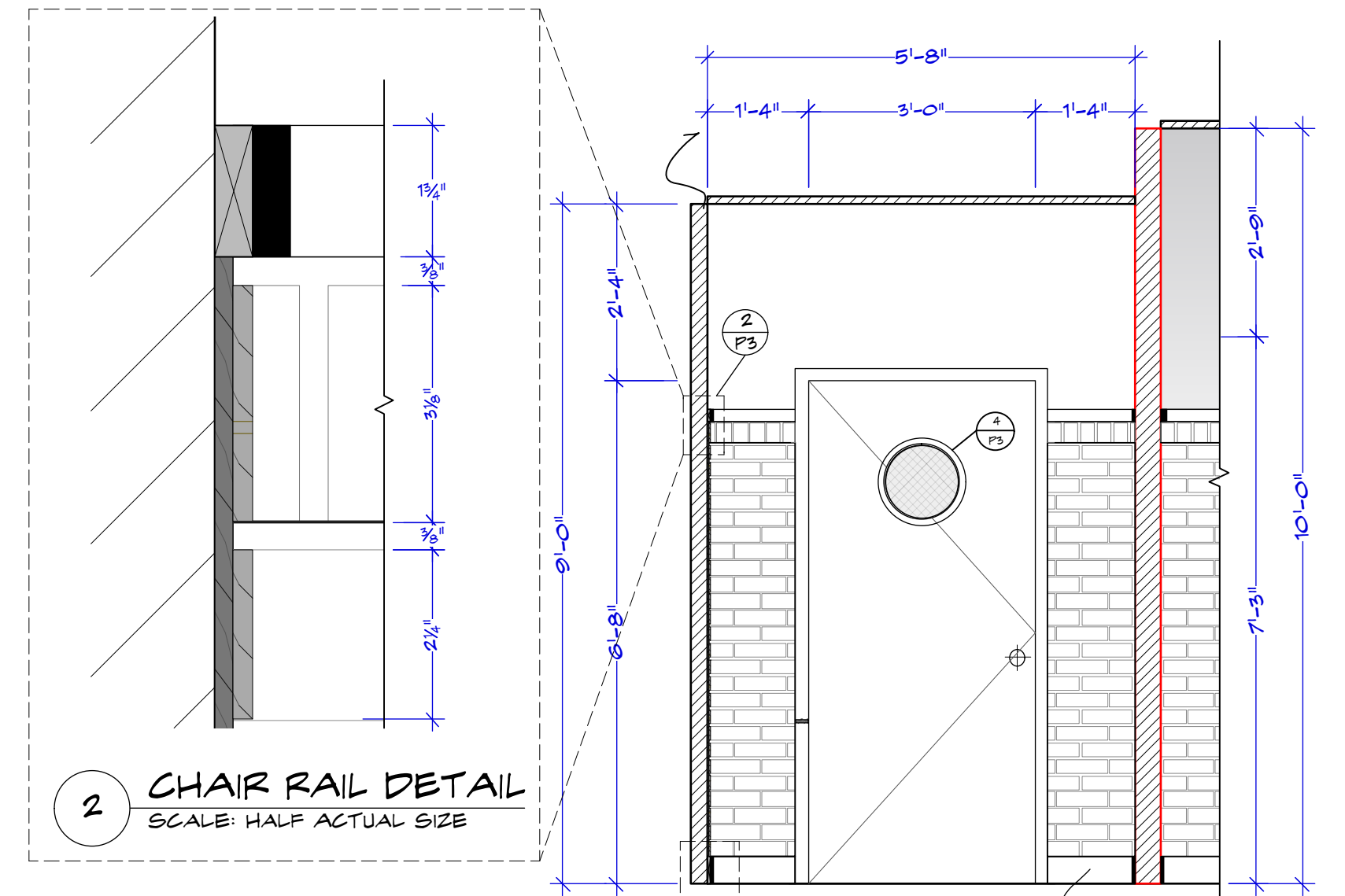
TILE BASEBOARD HEIGHT TBD

F



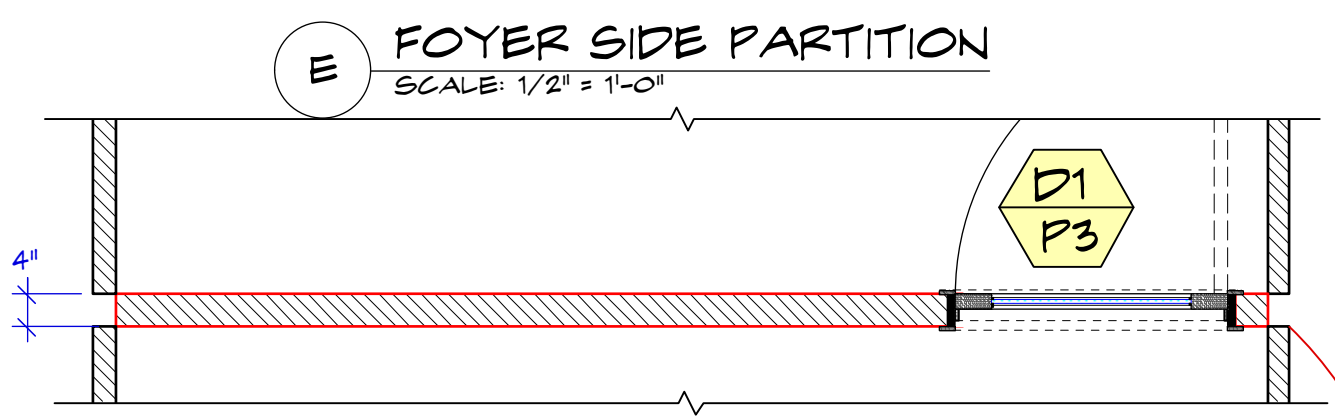
TILE BASEBOARD HEIGHT TBD

G



2 CHAIR RAIL DETAIL SCALE: HALF ACTUAL SIZE

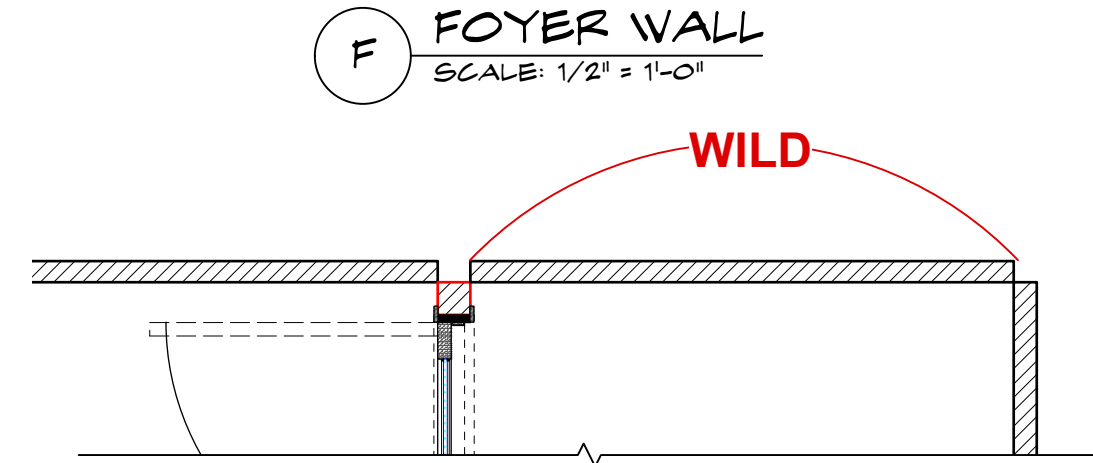
H ENTRANCE ELEVATION SCALE: 1/2" = 1'-0"



E FOYER SIDE PARTITION SCALE: 1/2" = 1'-0"



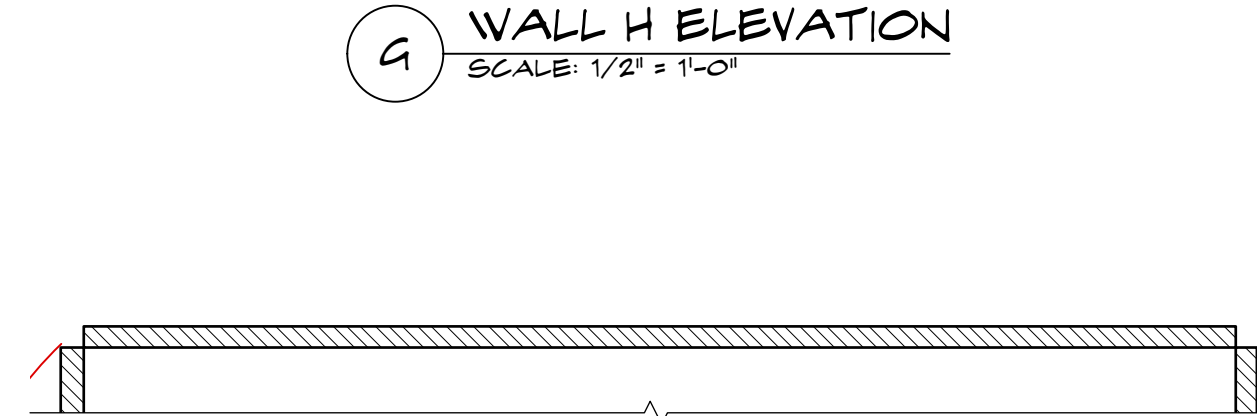
FOYER SIDE PARTITION PLAN SCALE: 1/2" = 1'-0"



F FOYER WALL SCALE: 1/2" = 1'-0"



FOYER F WALL PLAN SCALE: 1/2" = 1'-0"



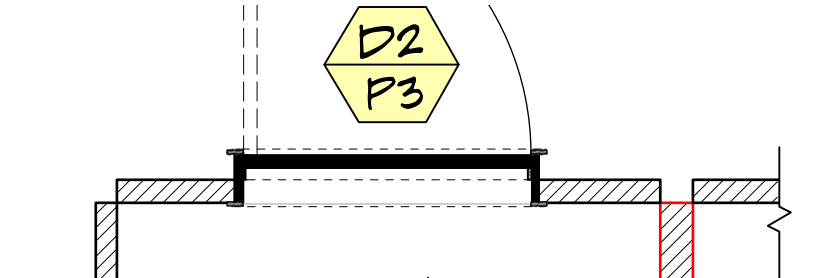
G WALL H ELEVATION SCALE: 1/2" = 1'-0"



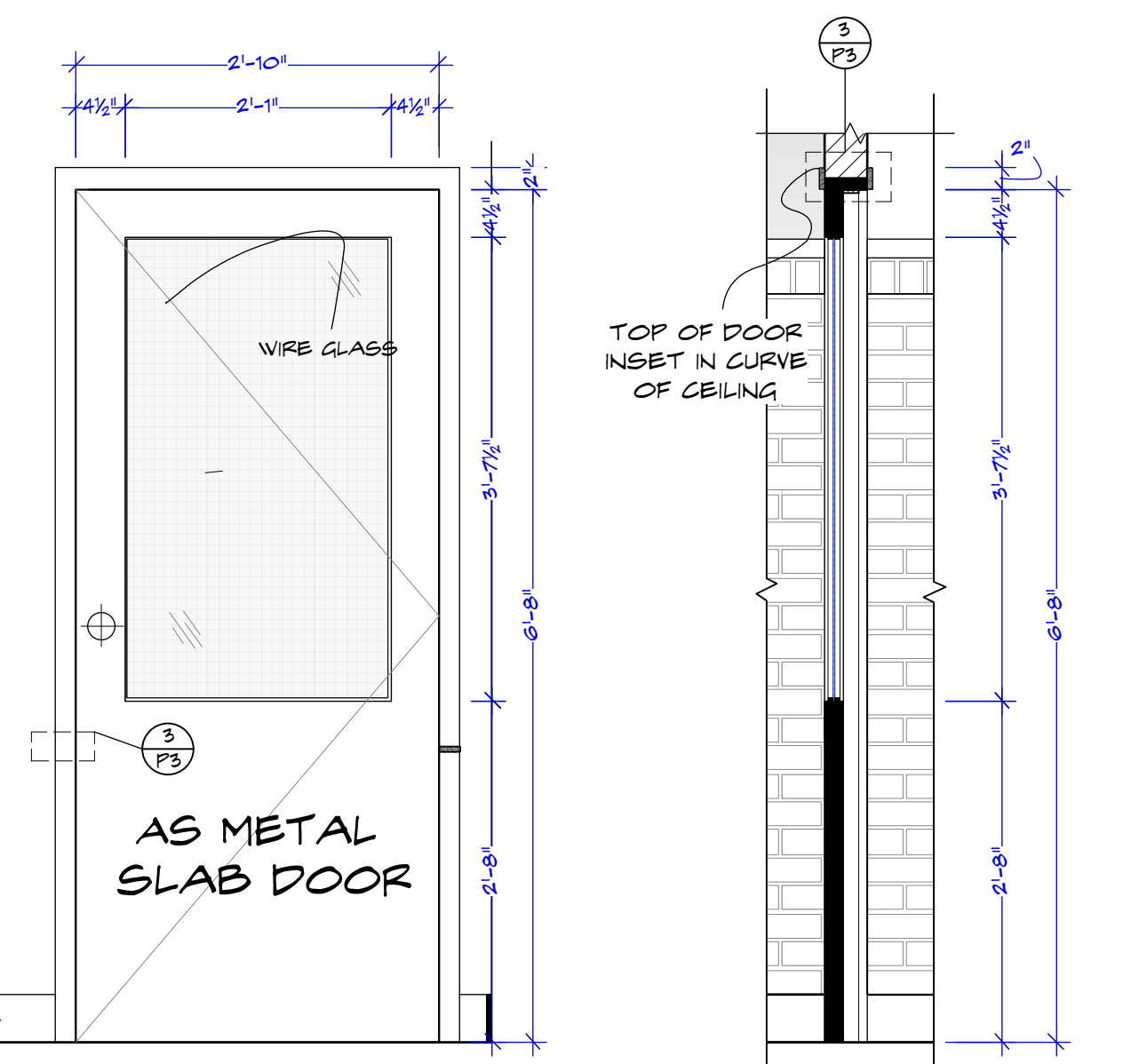
WALL G PLAN SCALE: 1/2" = 1'-0"



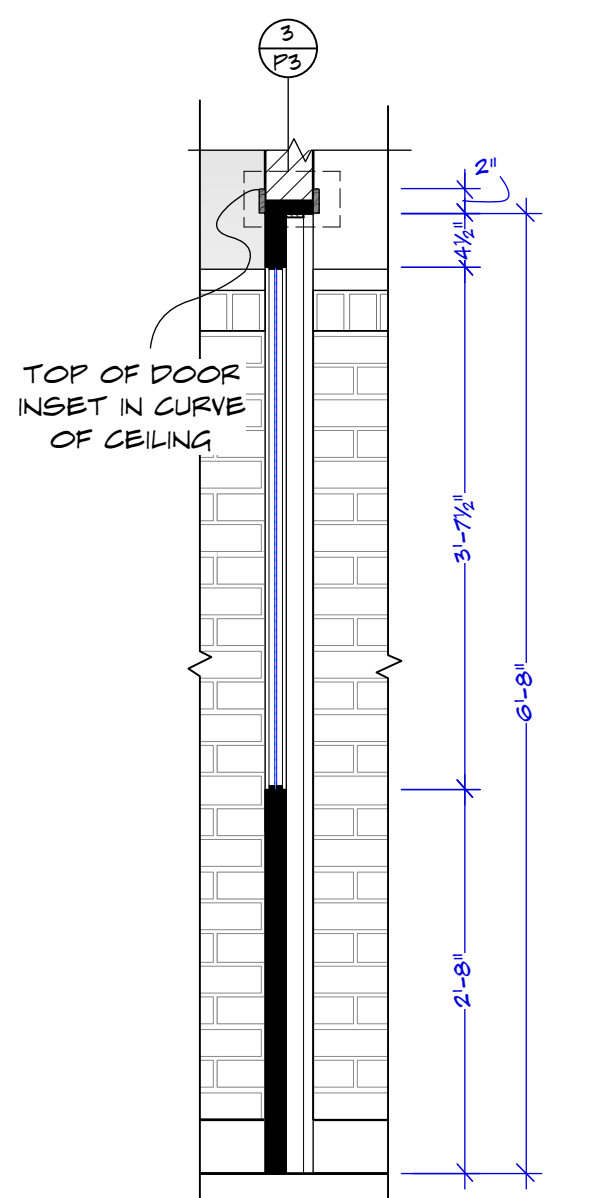
DOOR REFERENCE



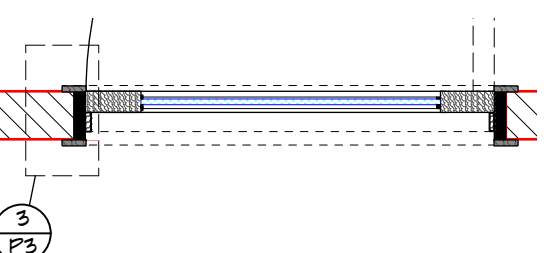
ENTRANCE PLAN SCALE: 1/2" = 1'-0"



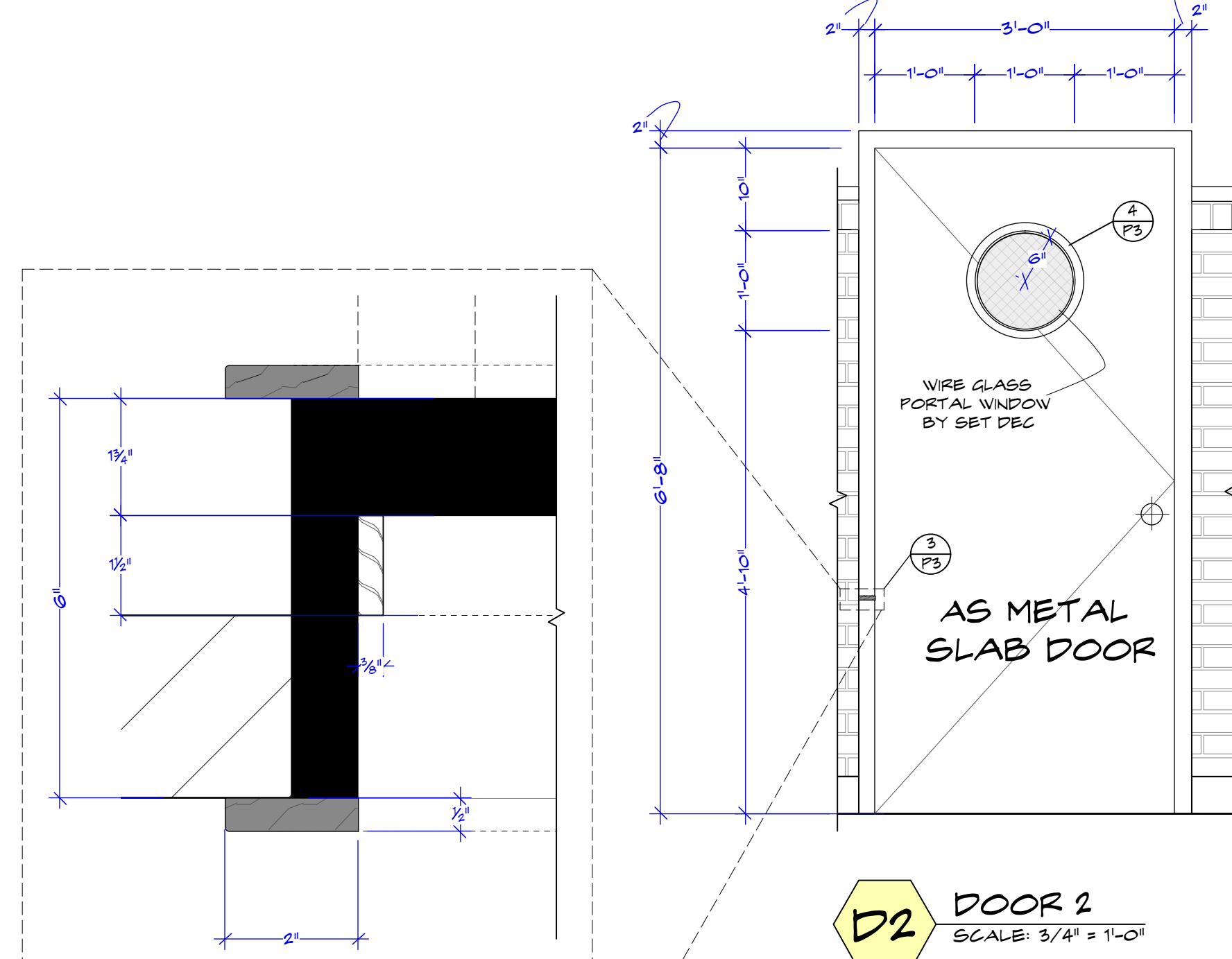
D1 DOOR 1 SCALE: 3/4" = 1'-0"



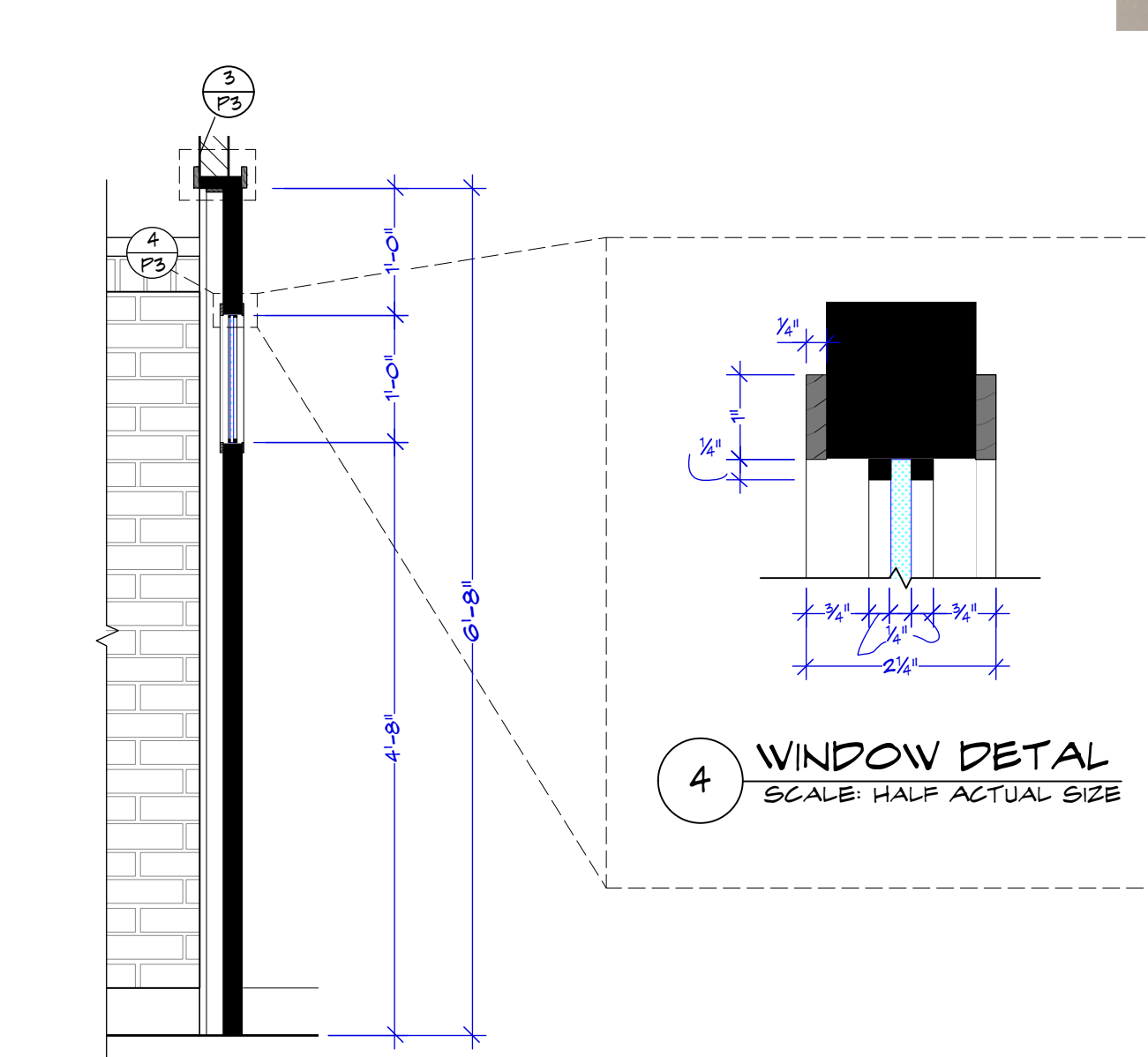
DOOR 1 SECTION SCALE: 3/4" = 1'-0"



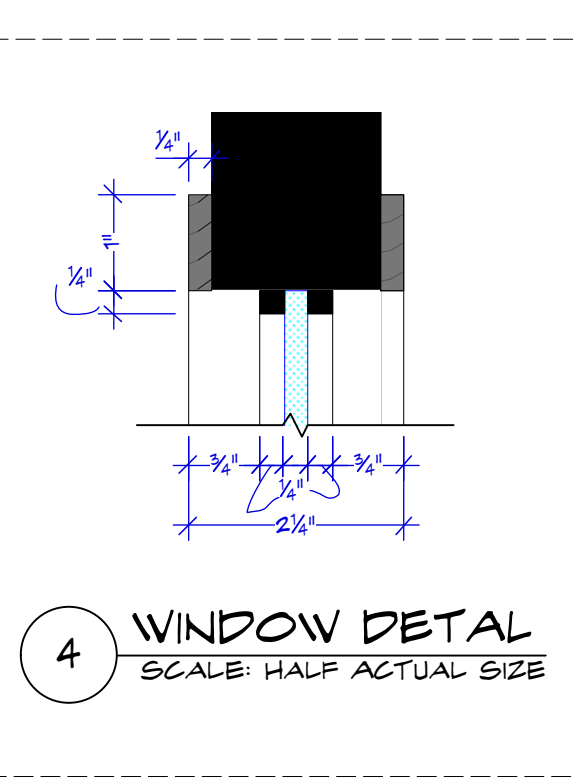
DOOR 1 PLAN SCALE: 3/4" = 1'-0"



D2 DOOR 2 SCALE: 3/4" = 1'-0"



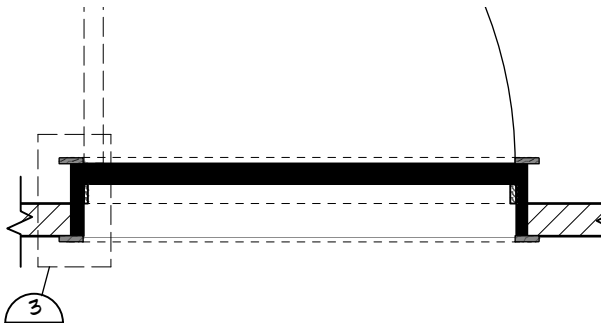
DOOR 2 SECTION SCALE: 3/4" = 1'-0"



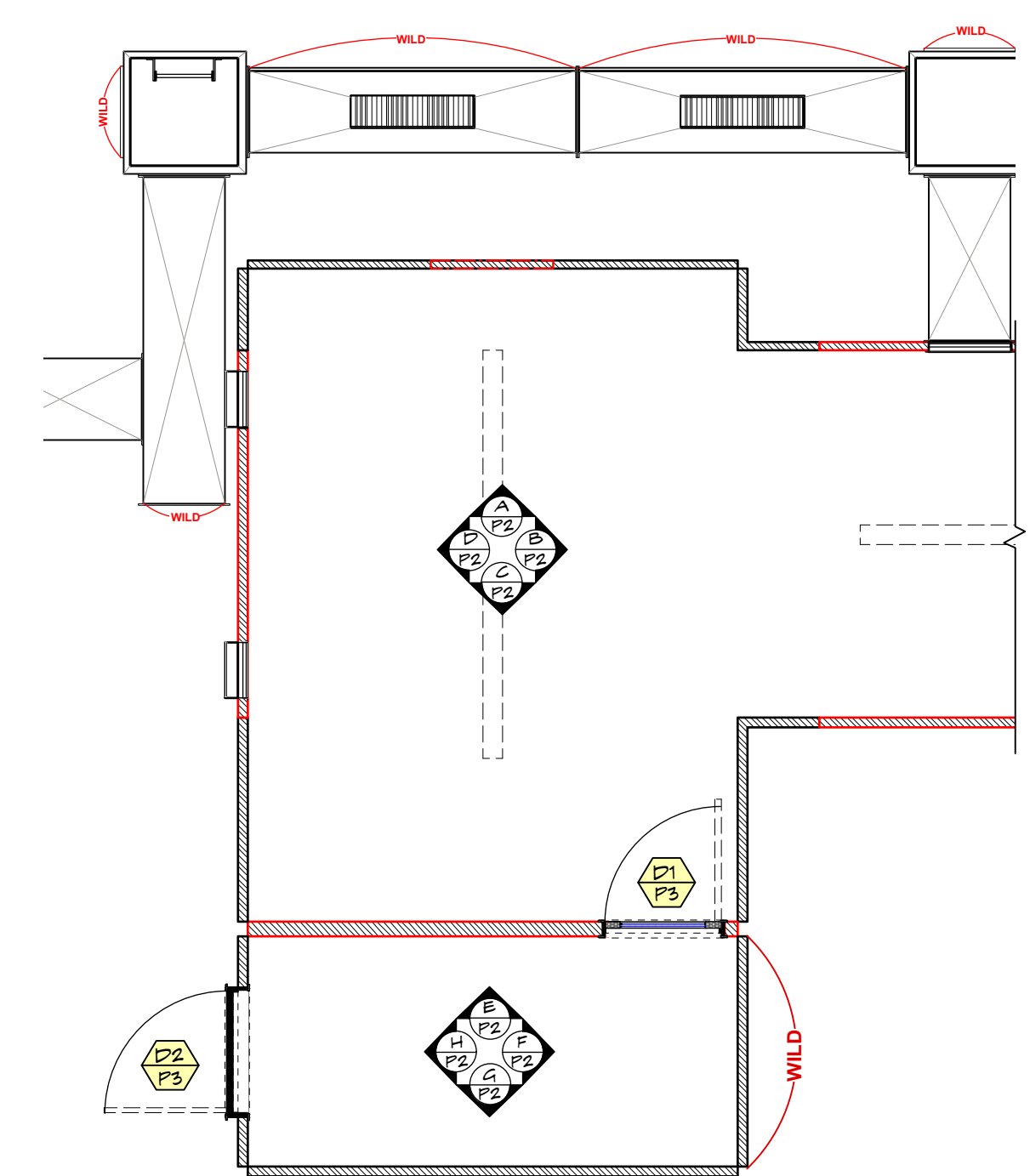
4 WINDOW DETAIL SCALE: HALF ACTUAL SIZE



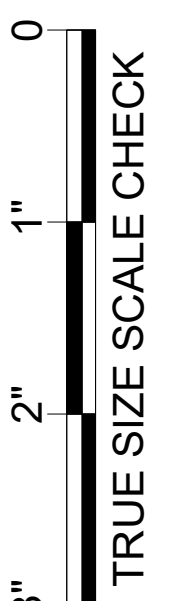
3 DOOR DETAIL #3 SCALE: HALF ACTUAL SIZE



DOOR 2 PLAN SCALE: 3/4" = 1'-0"



REFERENCE PLAN SCALE: 1/4" = 1'-0"

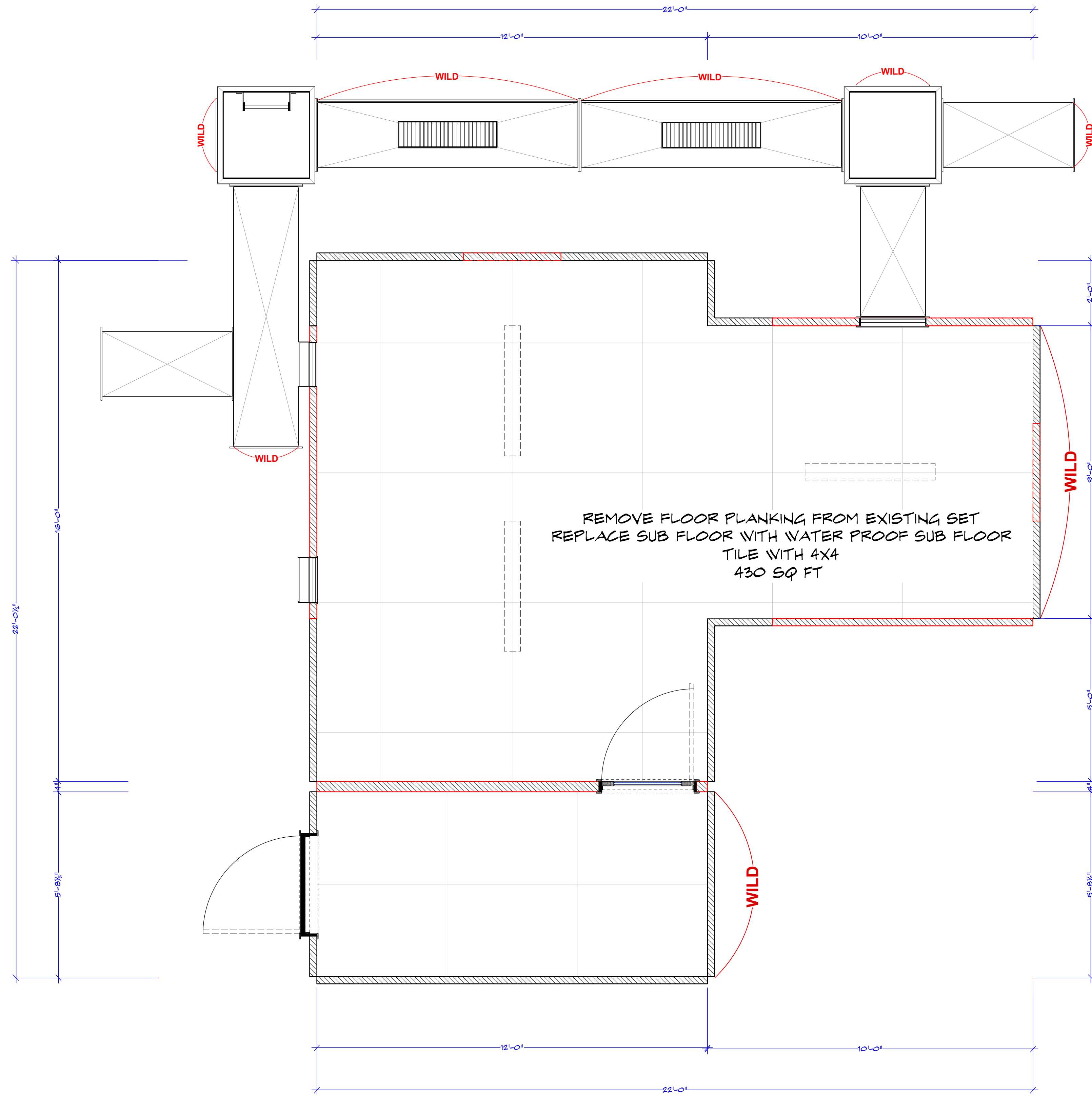


TRUE SIZE SCALE CHECK

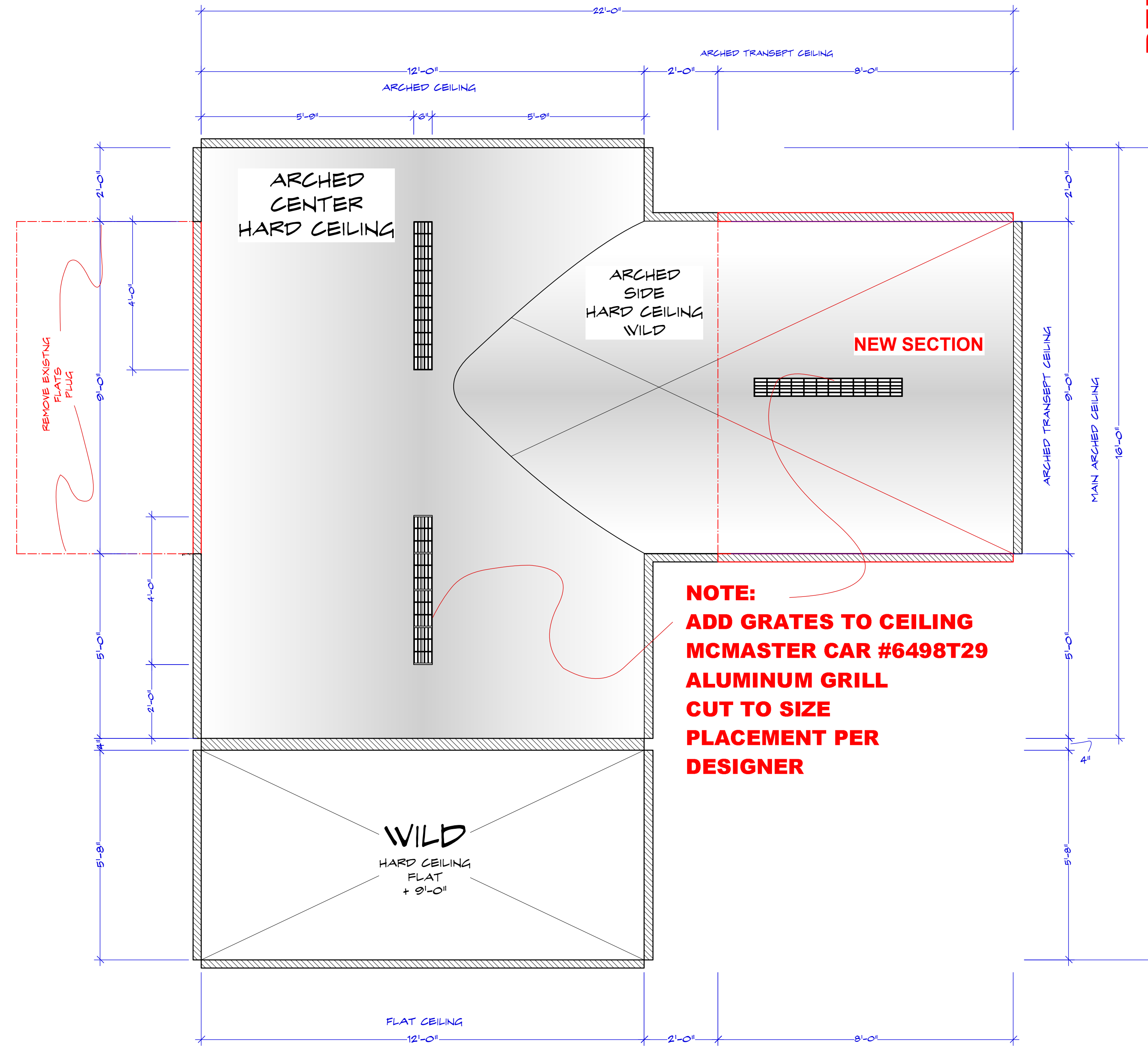
109_371_Bunker_Elevations.rvt

RELEASED 08/08/2019

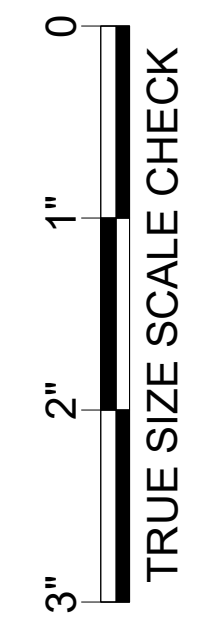
Episode: 109	Set #: 371	Scale: NOTED
Set Name & Description: BUNKER ELEVATIONS	Director: VARIOUS	Location: STAGE 23
Exec Producer: NIKKI TOSCANO	Producer: JERRY KUPFER	Set Decorator: SUSAN MARSHAL
Line Producer: BILL SELL	UPM: BILL SELL	Constr. Coordinator: NILES NORTON
Address: STEINER STUDIO 15 WASHINGTON AVE	AT Director: MARCO MUDD	
Prod. Designer: CURT BEECH		
Drawn by: M Fahrer	Sheet No.: 371-03	
Date: 8/8/2019	Shot Date: XXXXX2019	



FLOOR LAYOUT
SCALE: 1/2" = 1'-0"

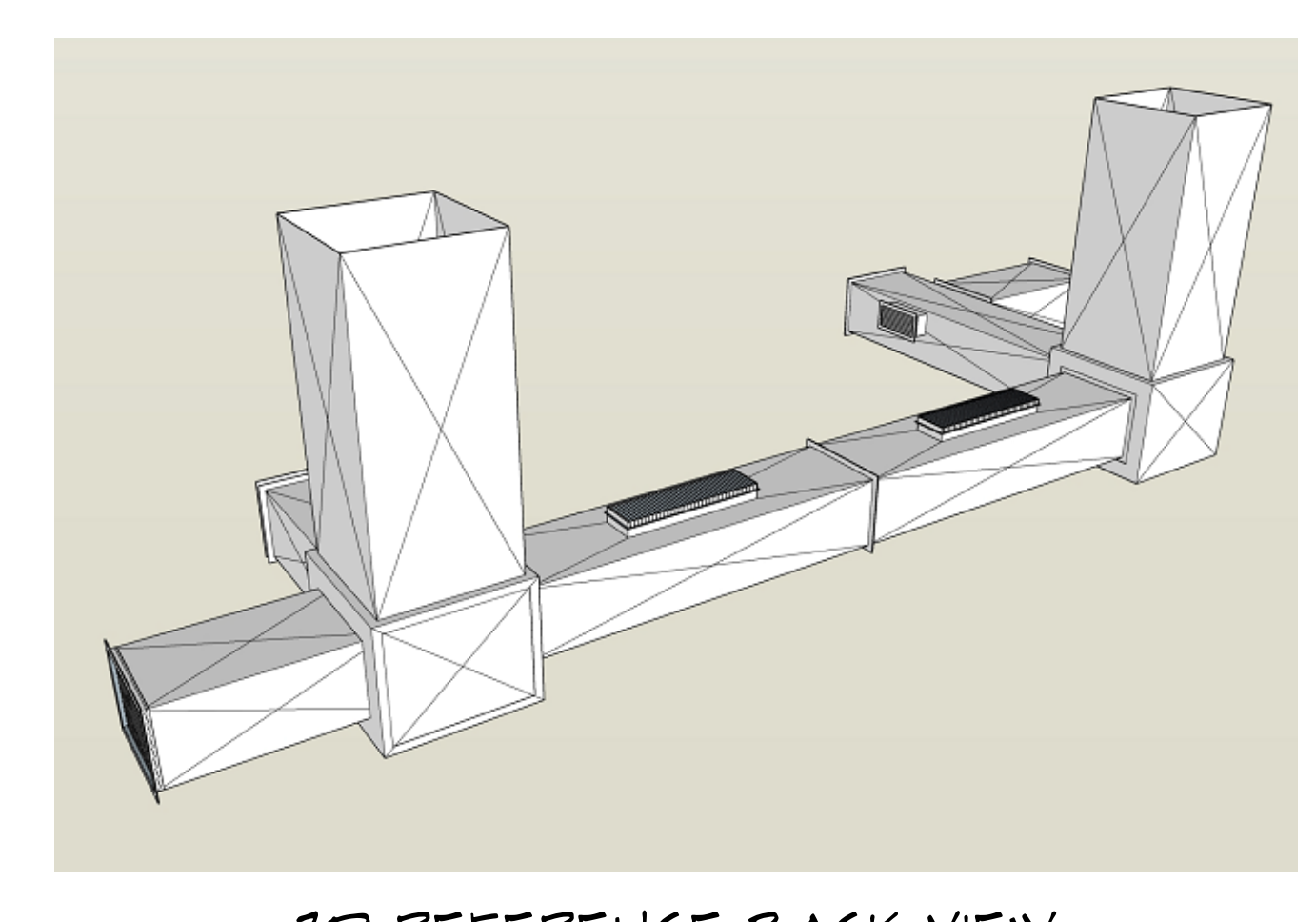
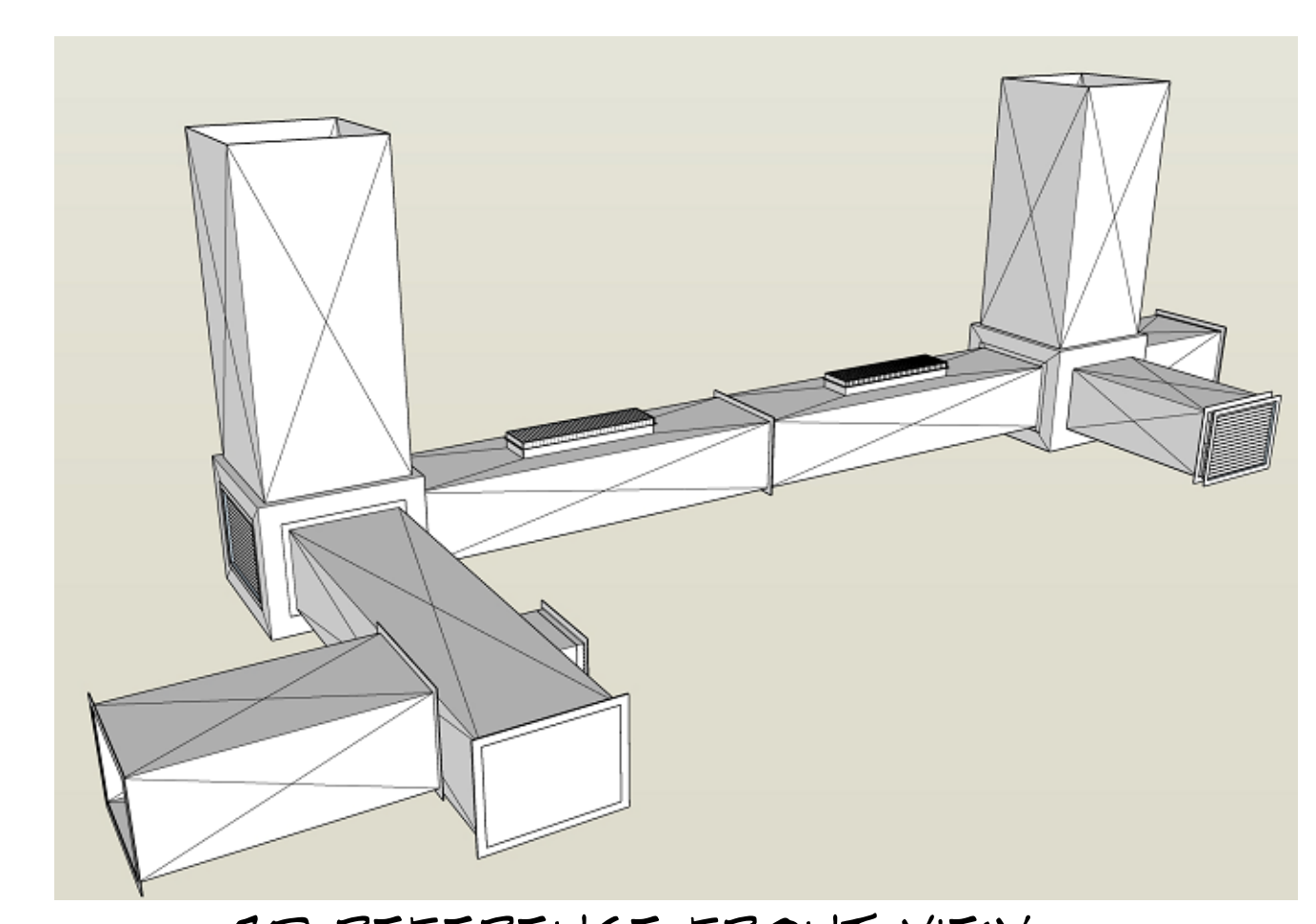
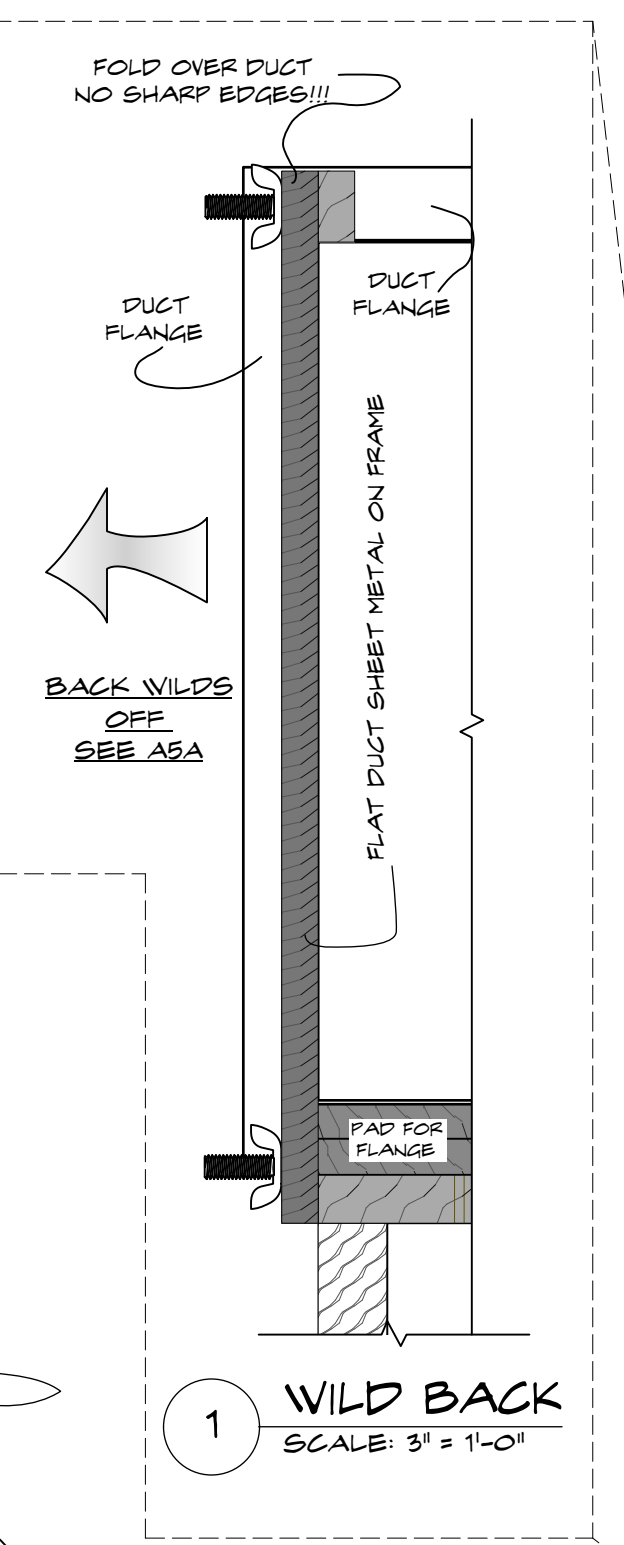
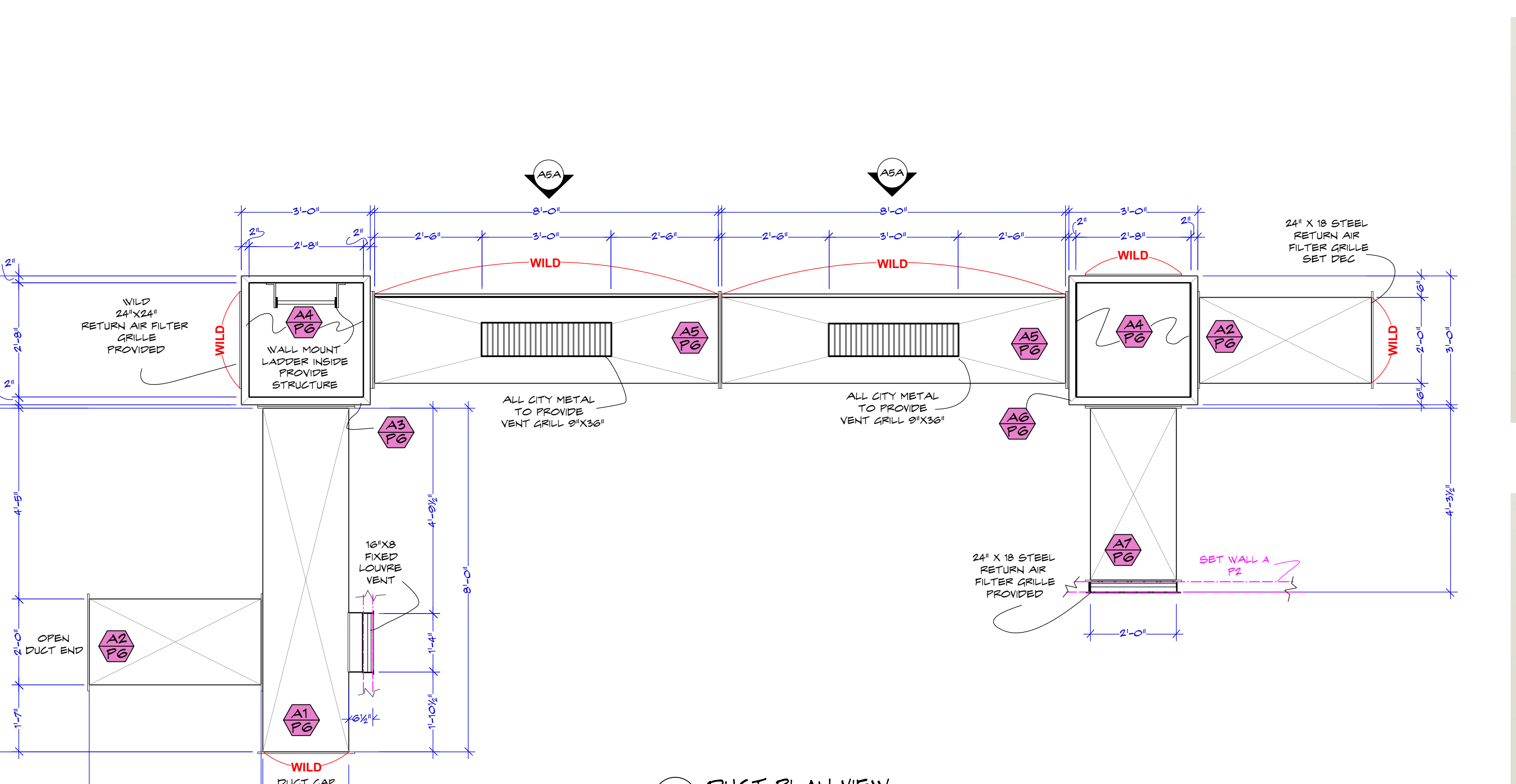
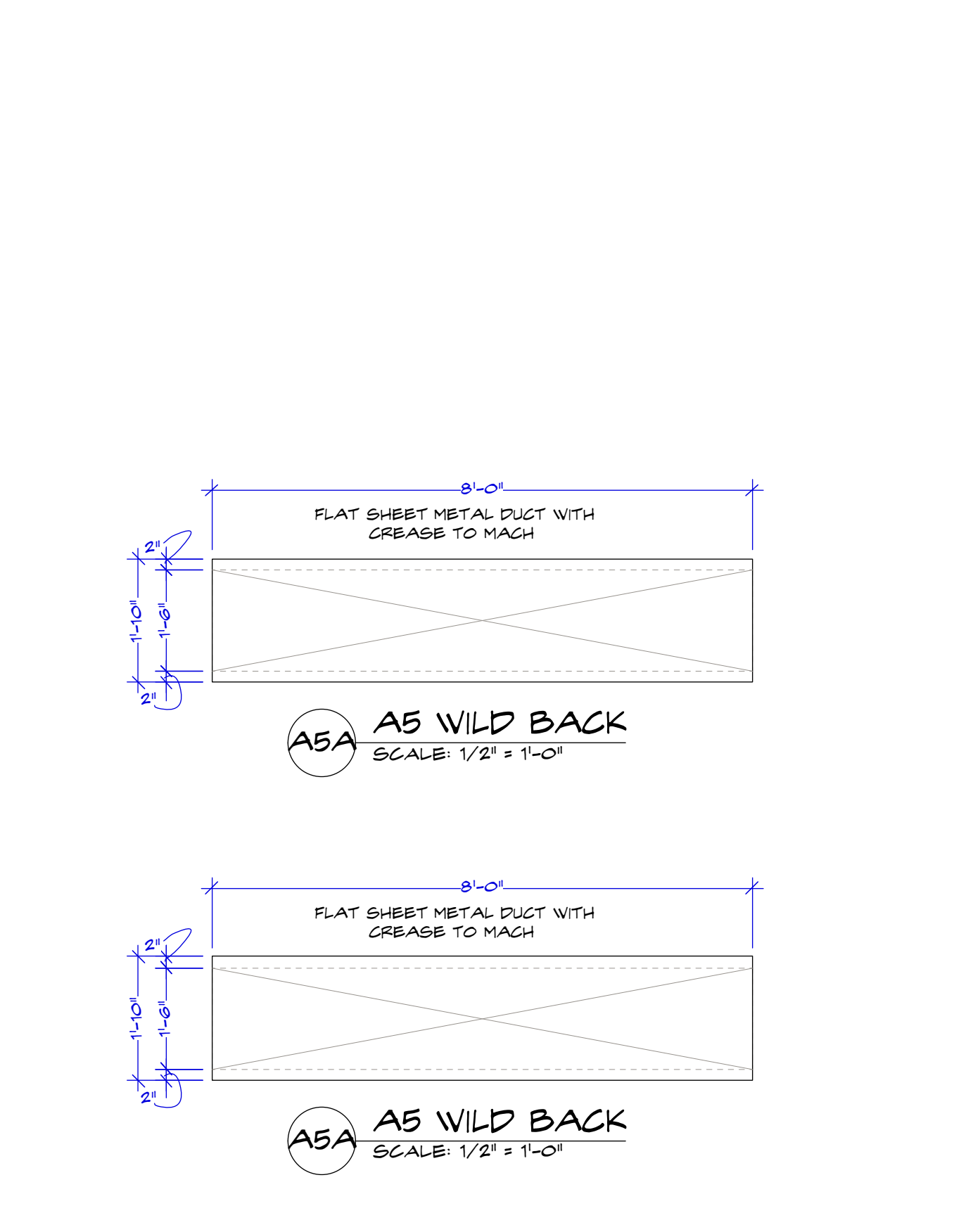
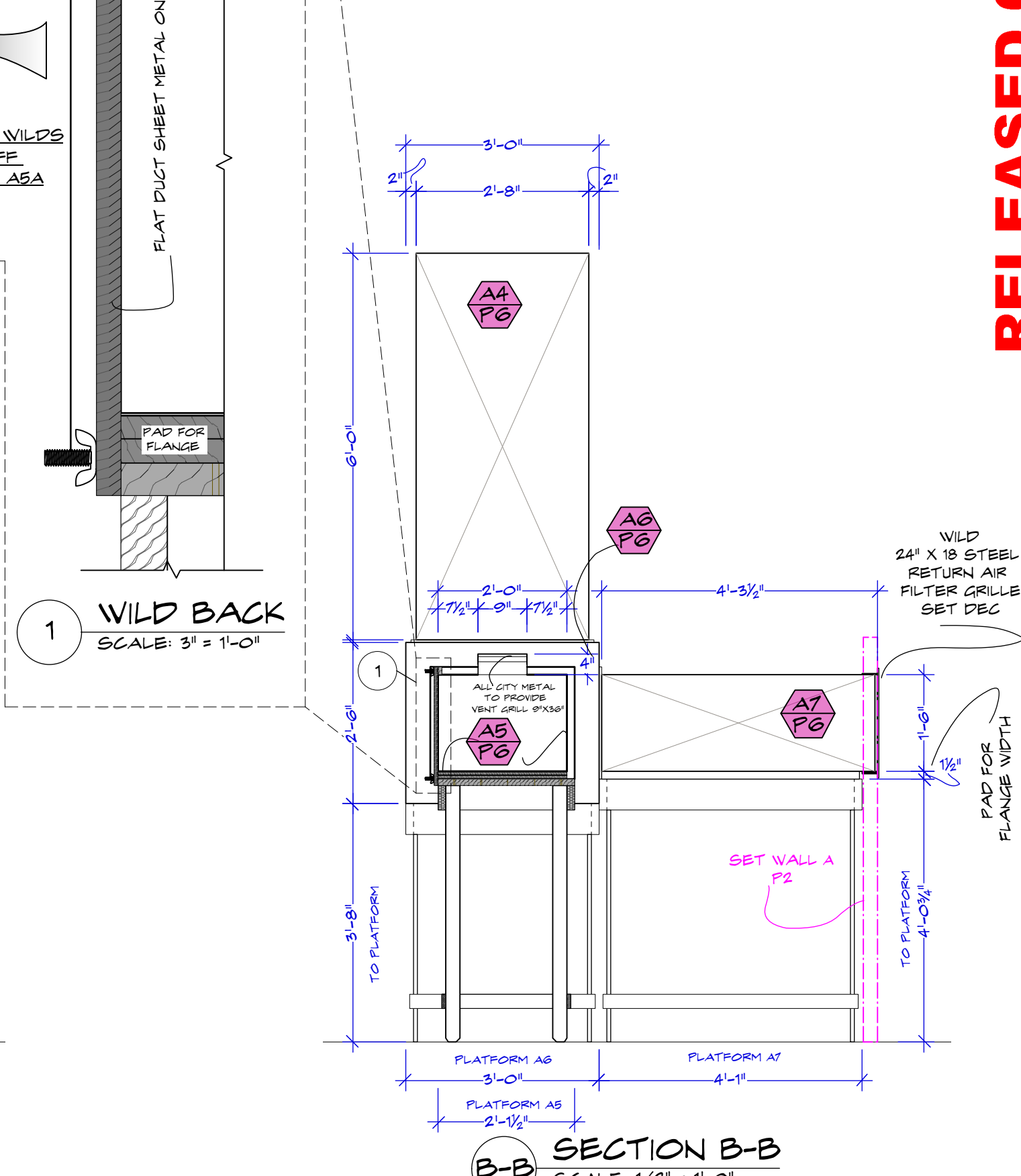
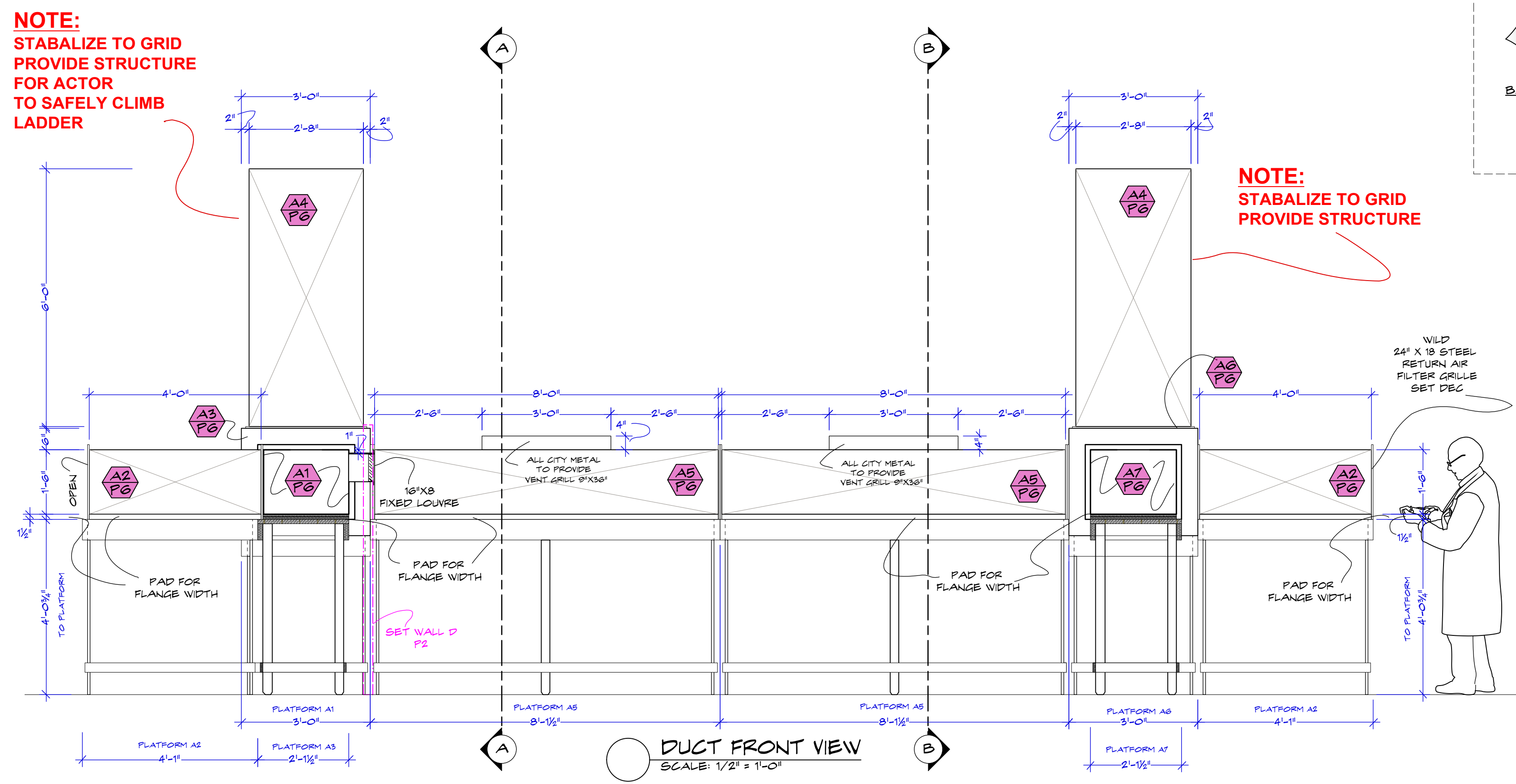
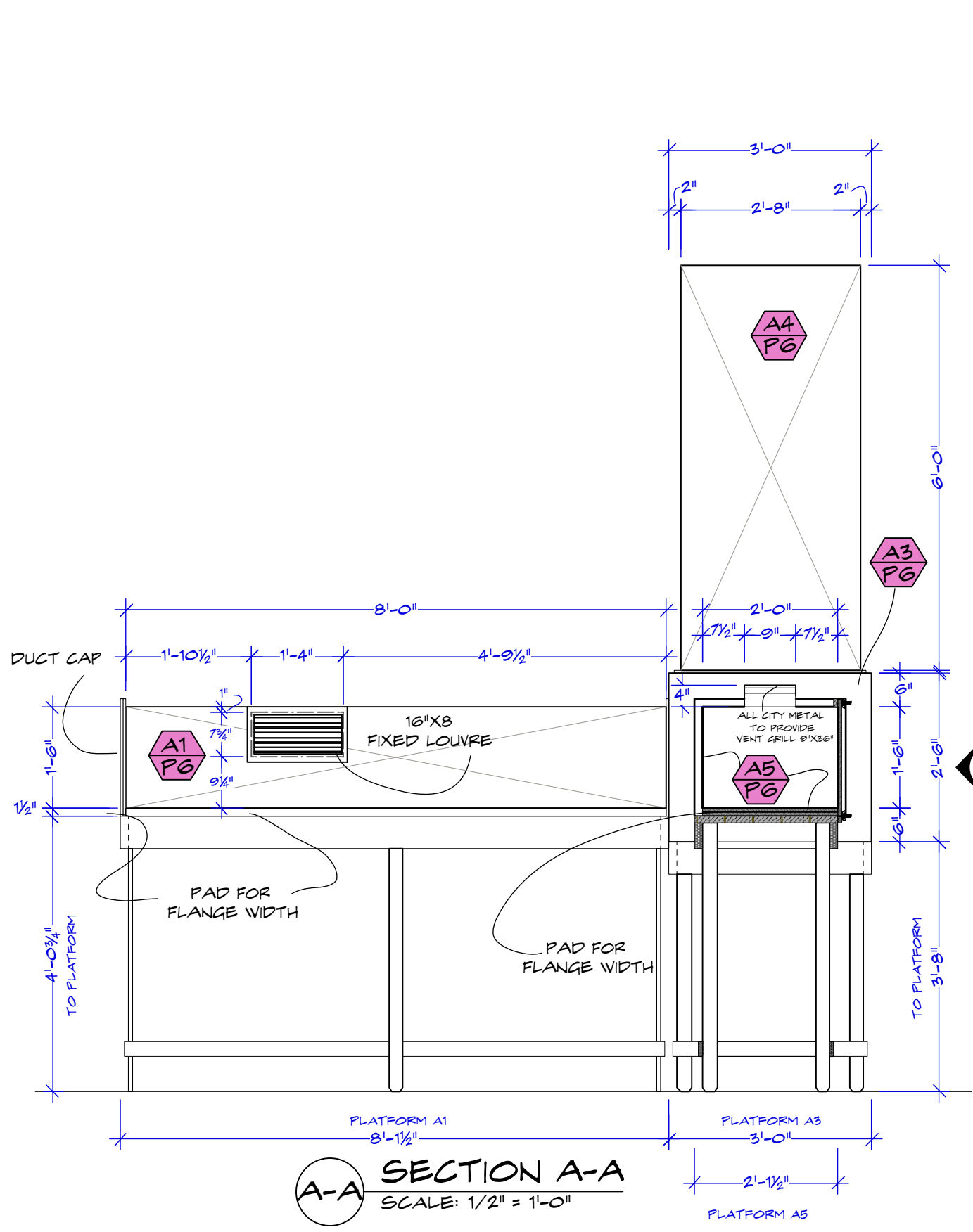


REFLECTED CEILING VIEW
SCALE: 1/2" = 1'-0"



Episode:	109
Set Name & Description:	BUNKER CEILING & FLOOR
Director:	VARIOUS
Location:	STAGE 28
Exec Producer:	NIKKI TOSCANO
Line Producer:	BILL SELL
Address:	STEINER STUDIO 16 WASHINGTON AVE
Prod. Designer:	CURT BEECH
Set Decorator:	SUSAN MARSHAL
Producer:	JERRY KUPFER
UPM:	BILL SELL
Art Director:	MARCI MUDD
Const. Coordinator:	NILES NORTON

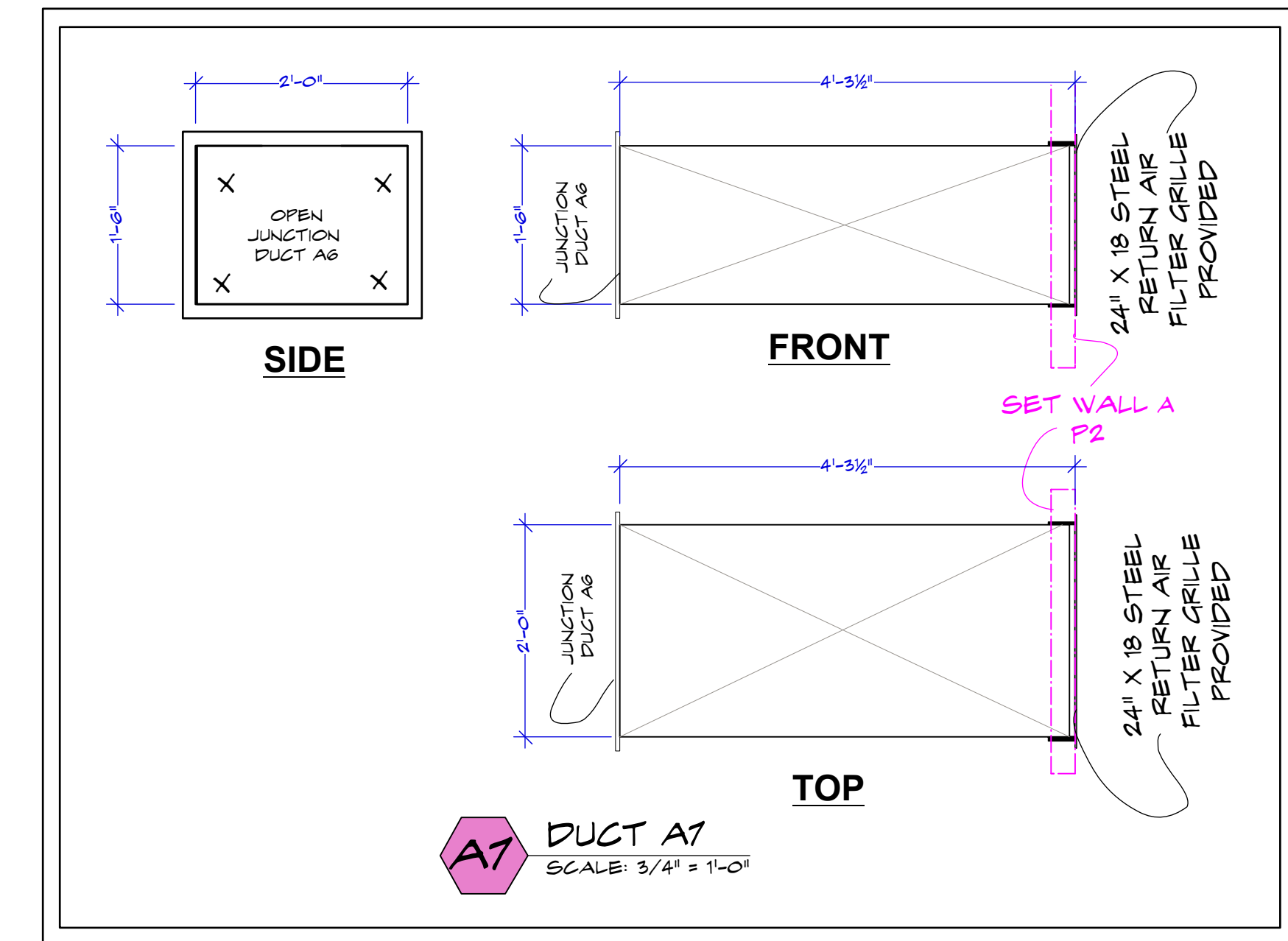
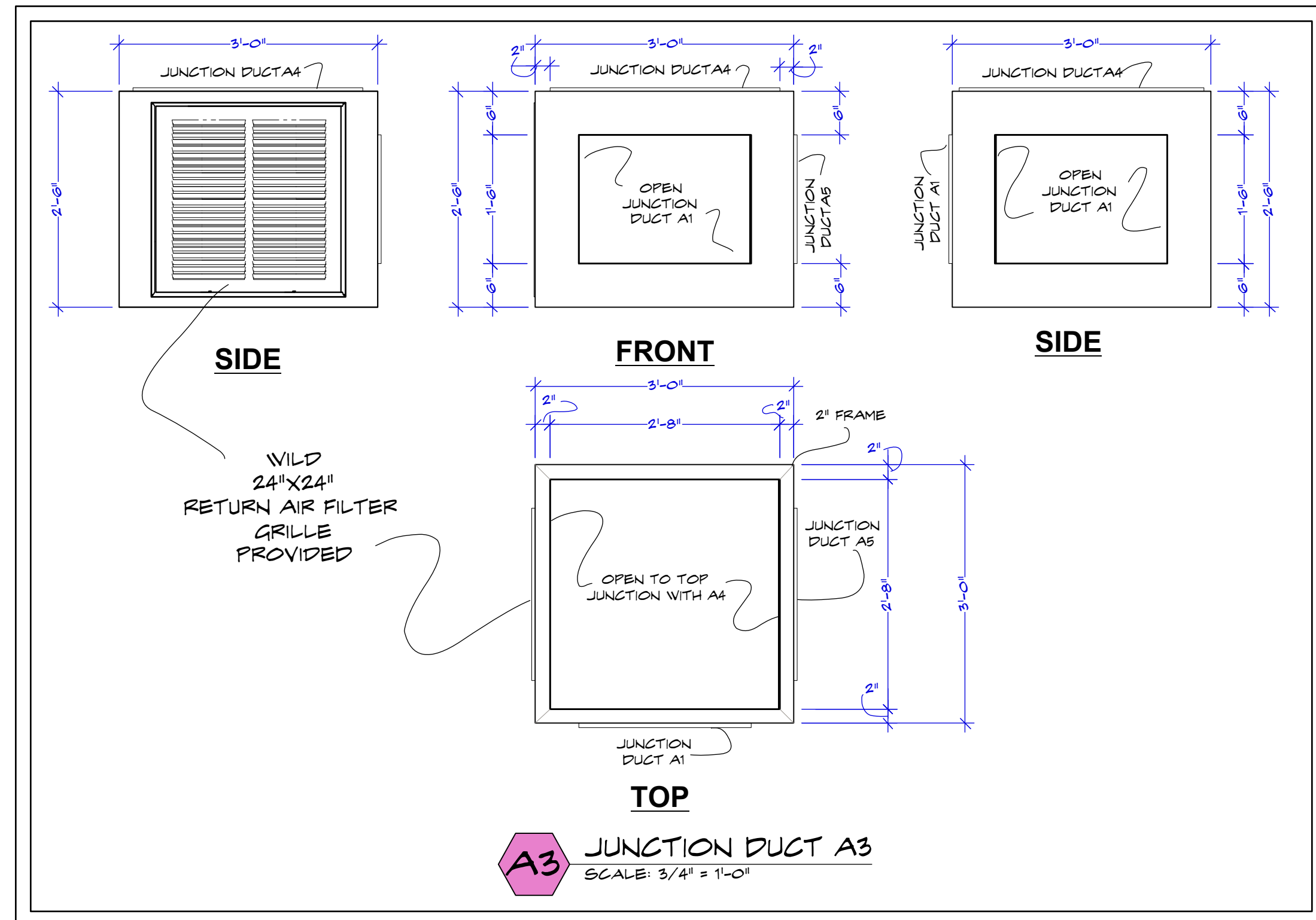
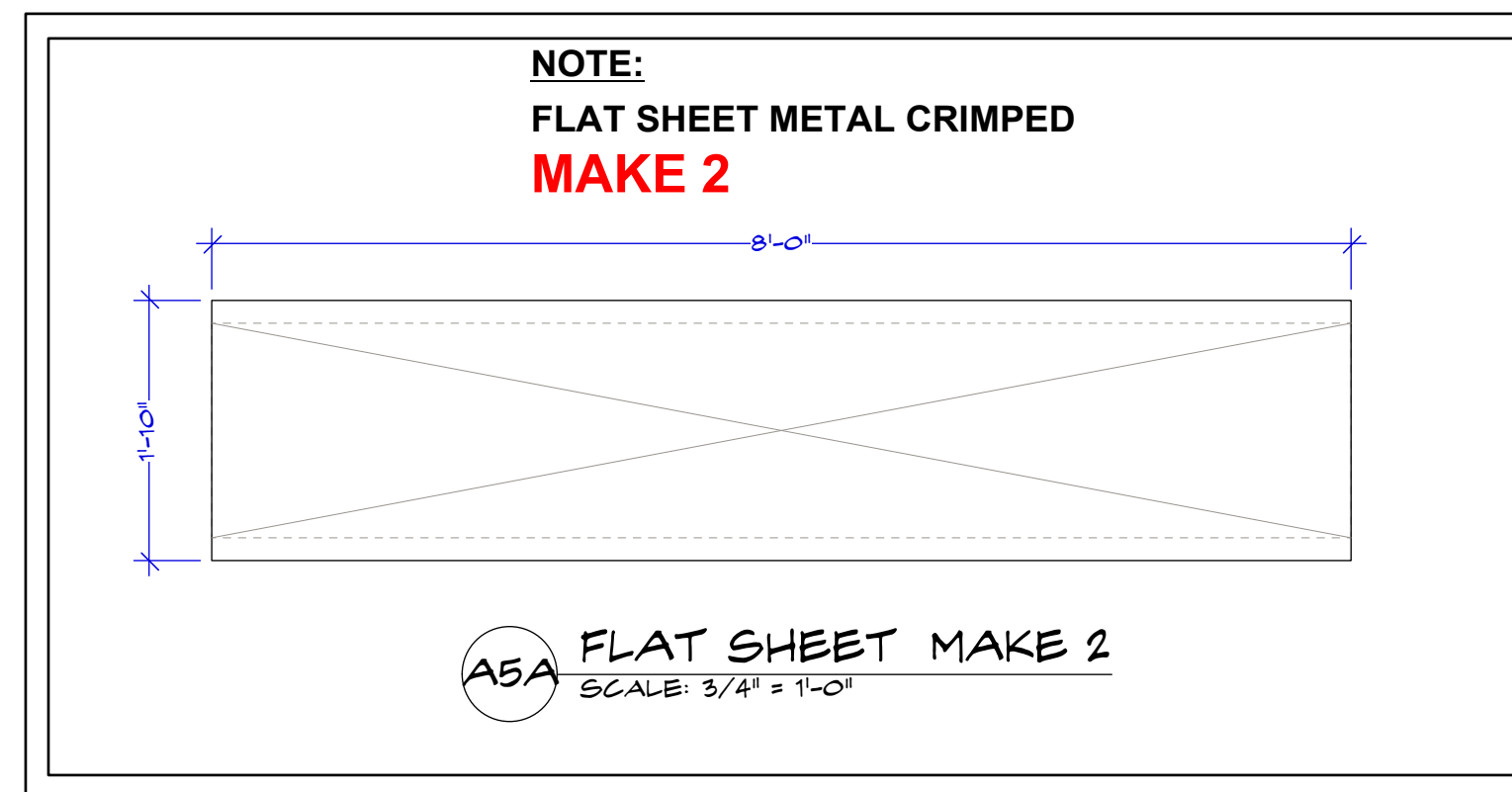
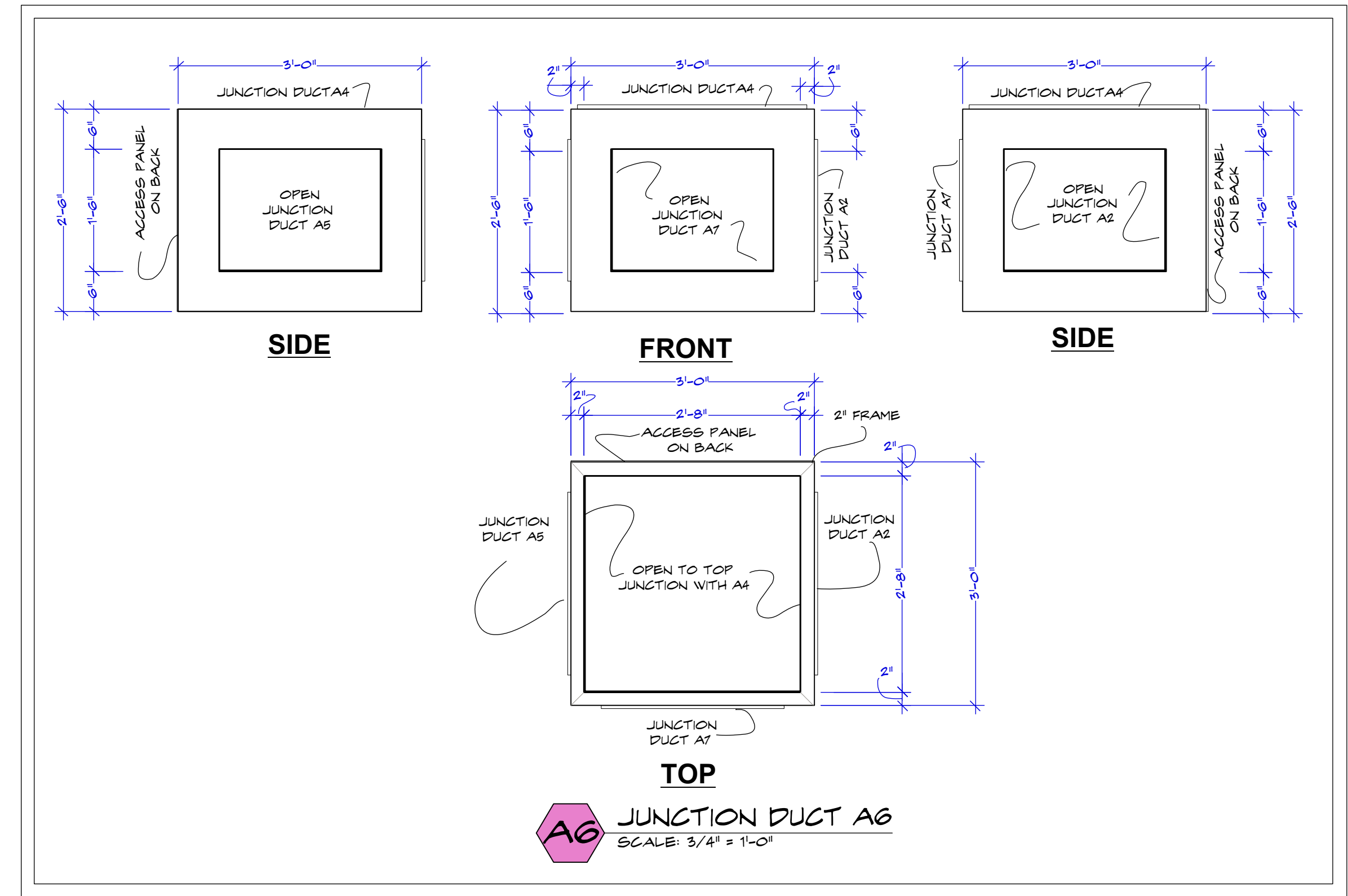
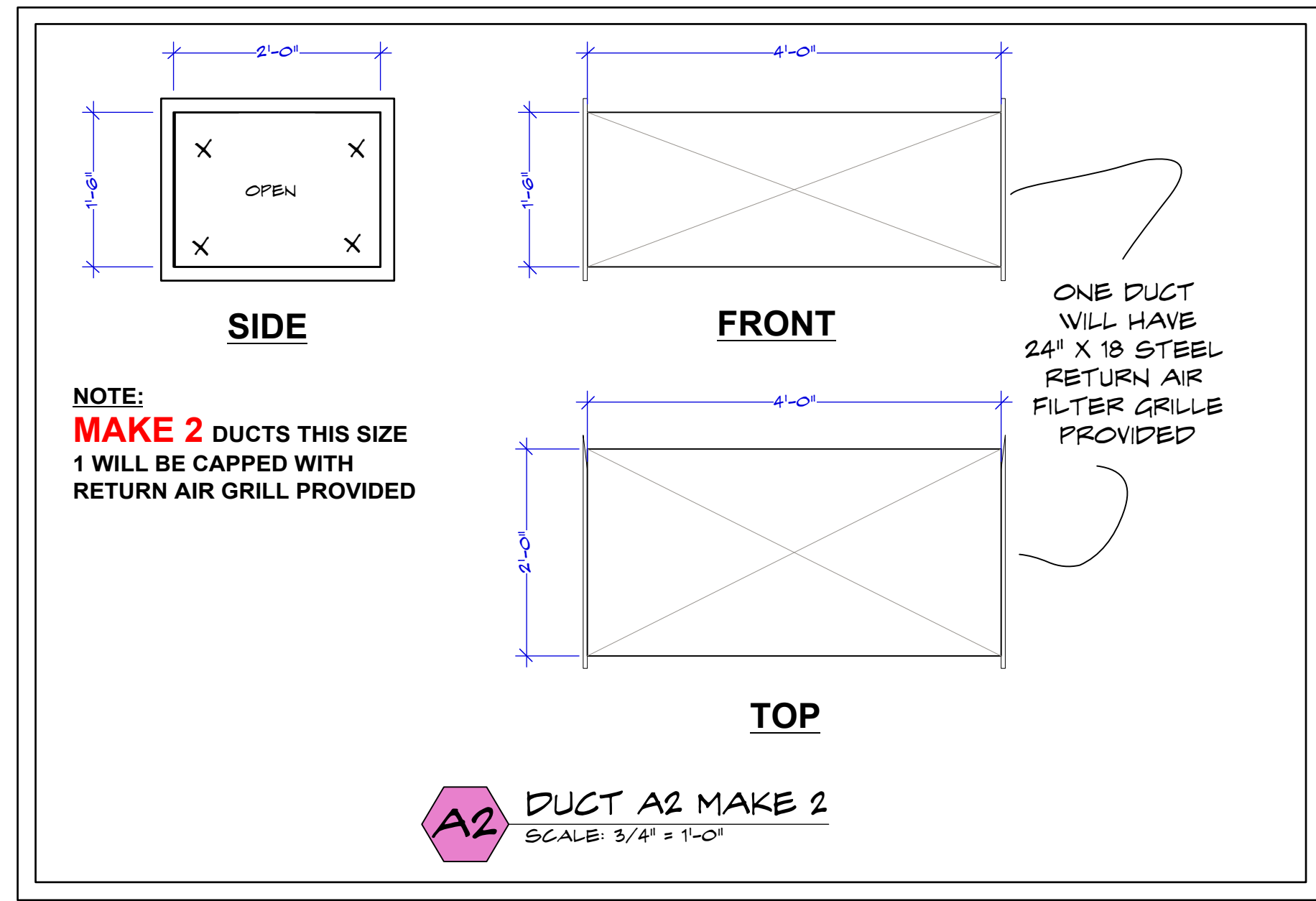
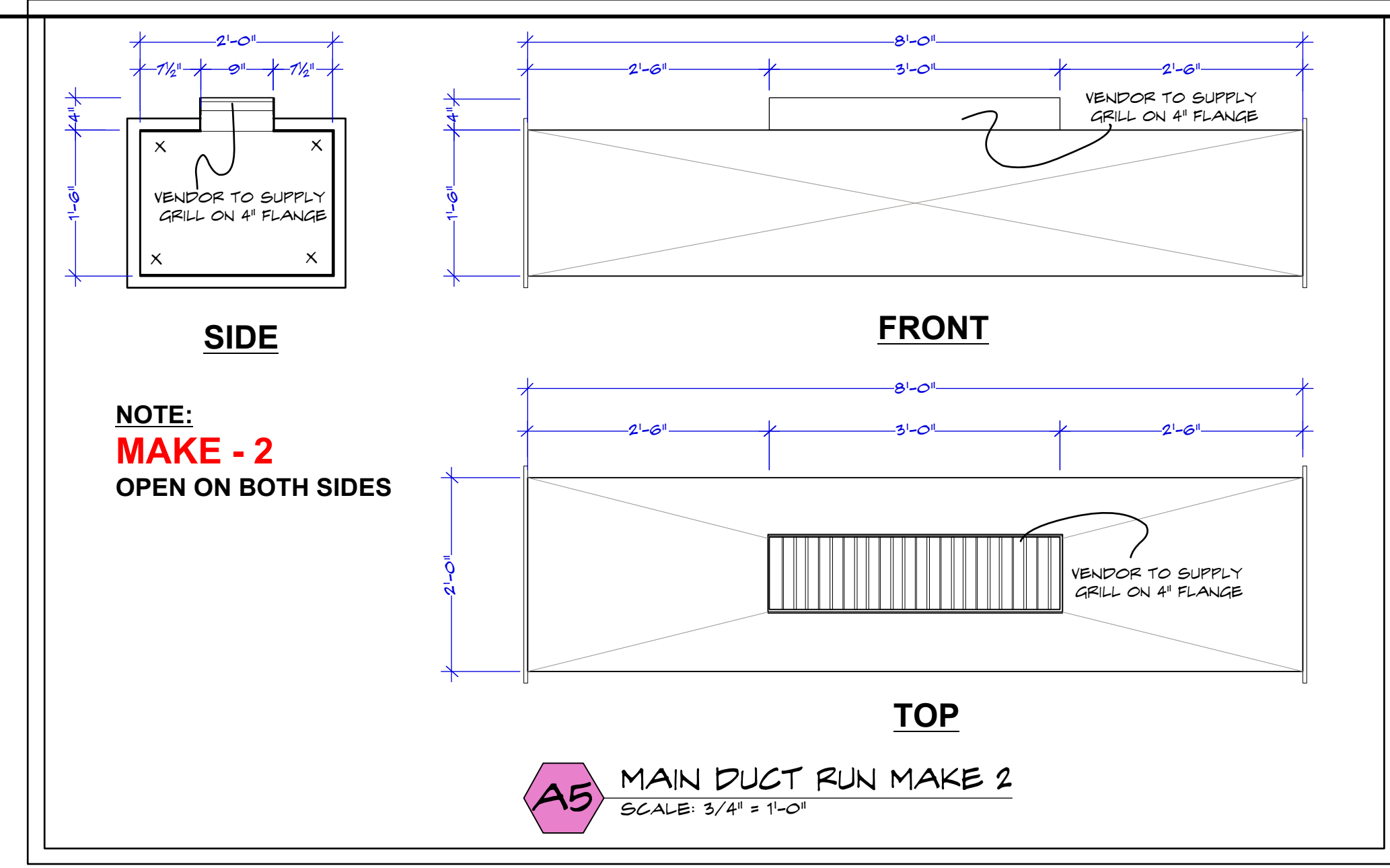
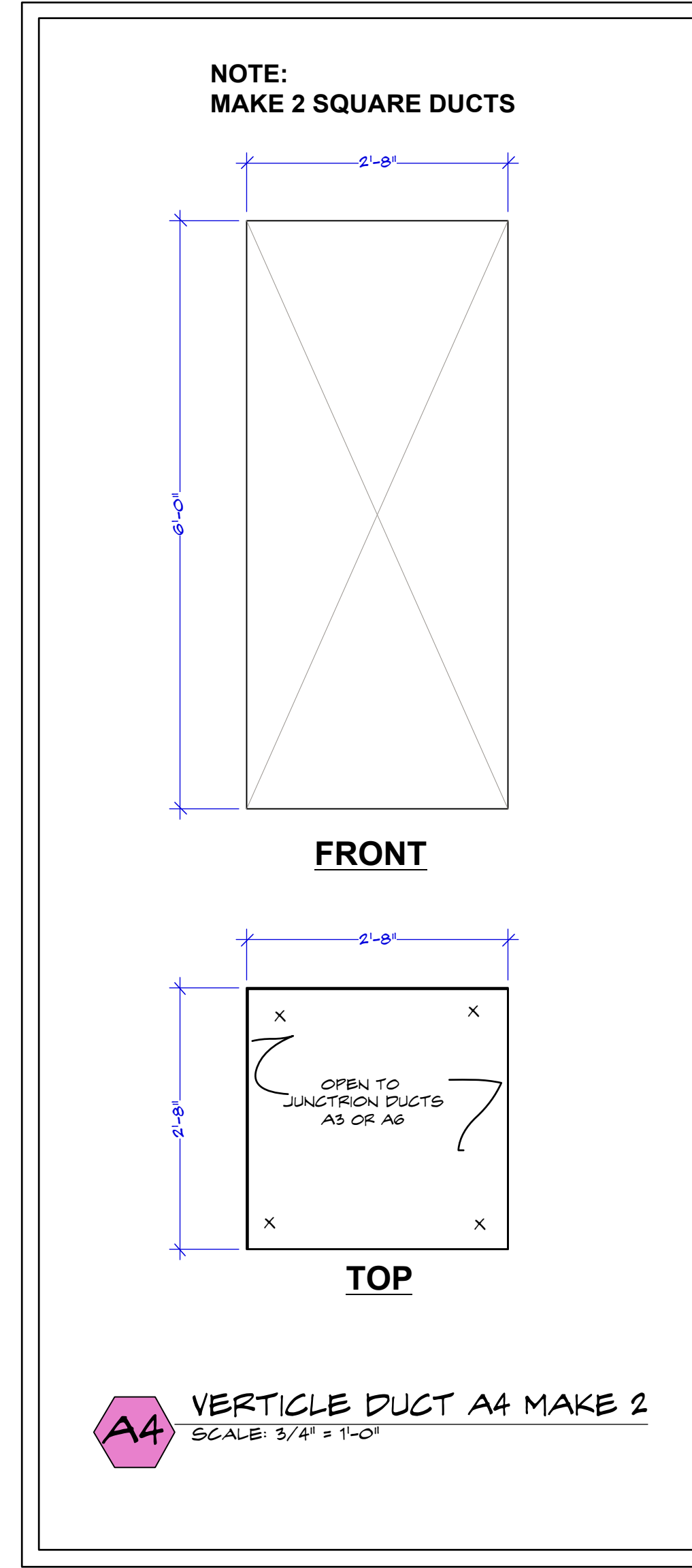
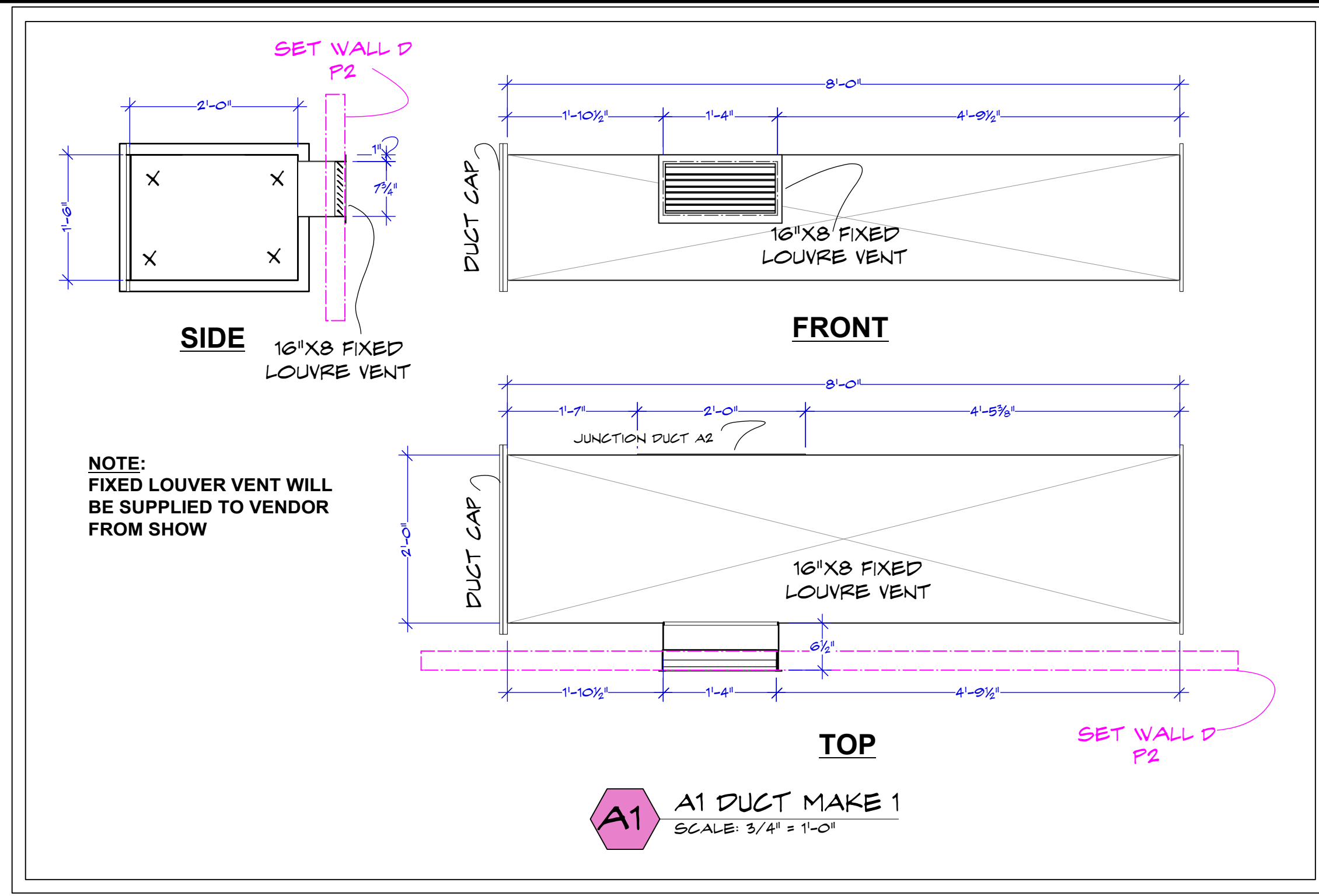
Drawing Date:	6/8/2019
Set #:	371
Scale:	1/2"=1'-0"
Drawn by:	M Fahrer
Sheet No.:	371-04
Shoot Date:	XXXXXX2019



NOTE:
 STABILIZE TO GRID
 PROVIDE STRUCTURE
 FOR ACTOR
 TO SAFELY CLIMB
 LADDER

NOTE:
 STABILIZE TO GRID
 PROVIDE STRUCTURE



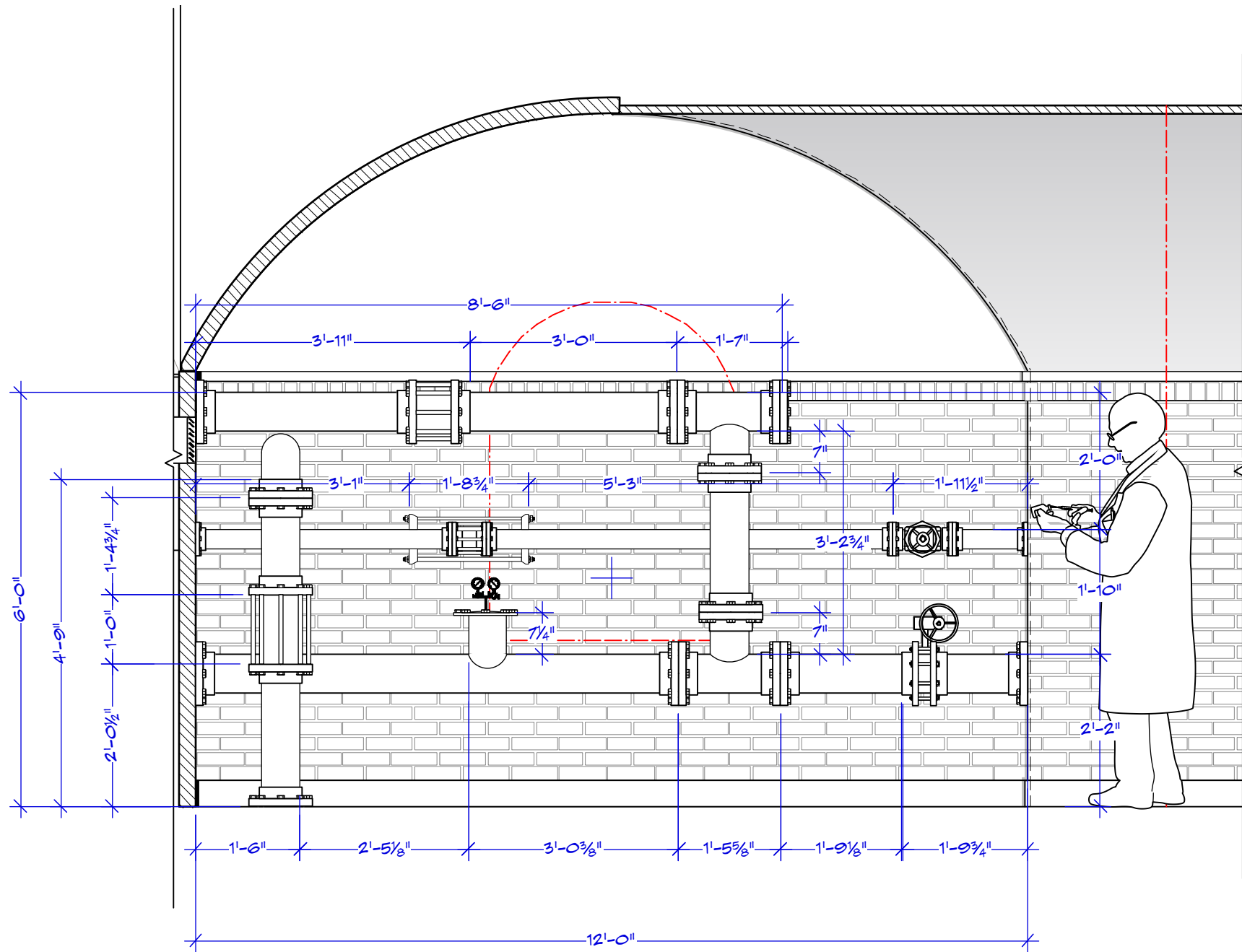


3" 2" 1" 0"
TRUE SIZE SCALE CHECK
109_371_Bunker_Elevations.vwk

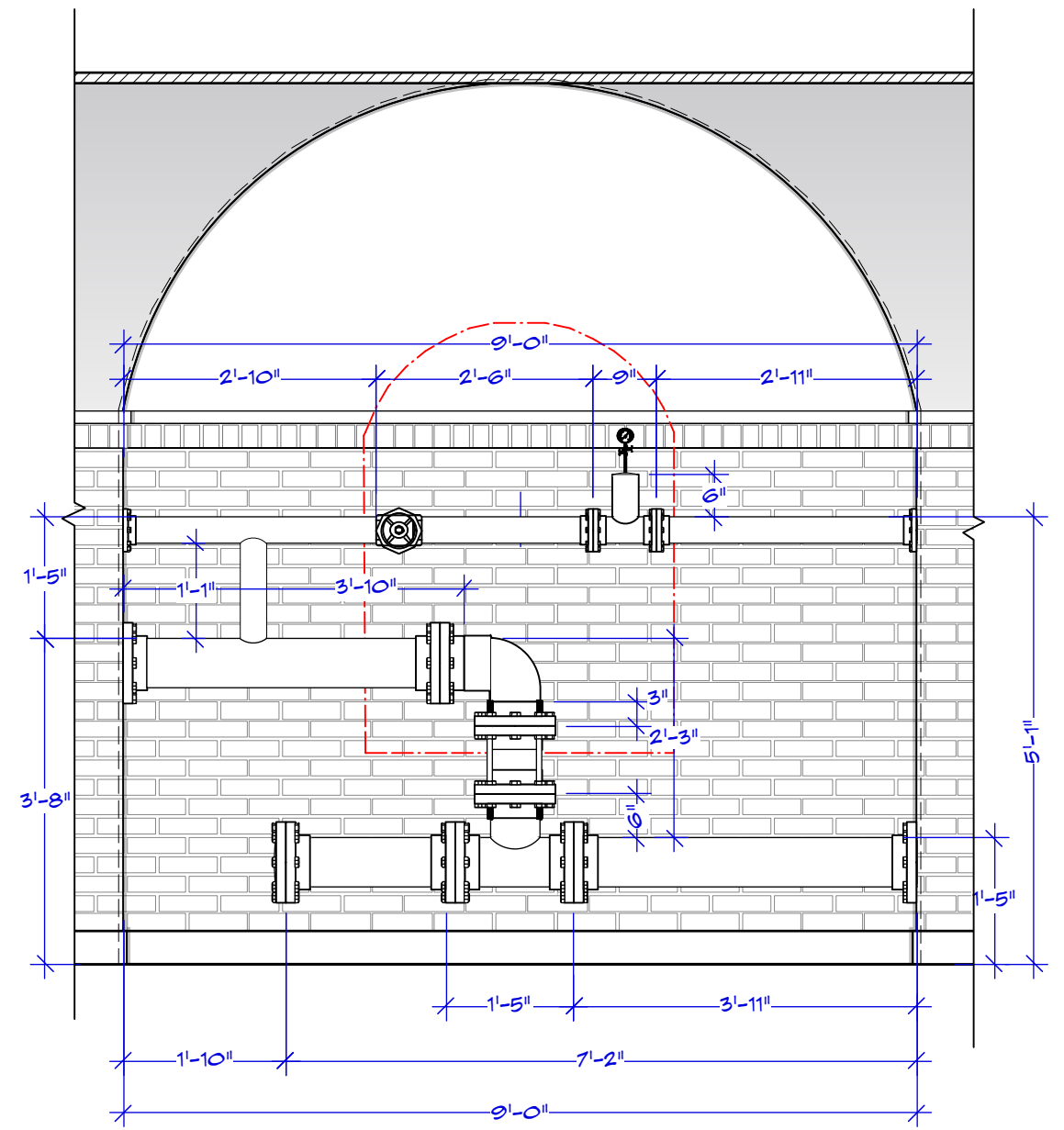
RELEASED 08/08/2019

Episode: 109	Set Name & Description: BUNKER DUCT WORK BREAKDOWN ELEVATION	Director: VARIOUS	Location: STAGE 28
Drawing Date: 8/8/2019	Set #: 371	Director: VARIOUS	Location: STAGE 28
Drawn by: M Fahrer	Producer: JERRY KUPFER	Exec Producer: NIKKI TOSCANO	Const. Coordinator: NILES NORTON
Sheet No.: 371-06	UPM: BILL SELL	Line Producer: BILL SELL	
Shoot Date: XX-XX-2019	Address: STEINER STUDIO 15 WASHINGTON AVE	Art Director: MARCO MUDD	
	Prod. Designer: CURT BEECH		





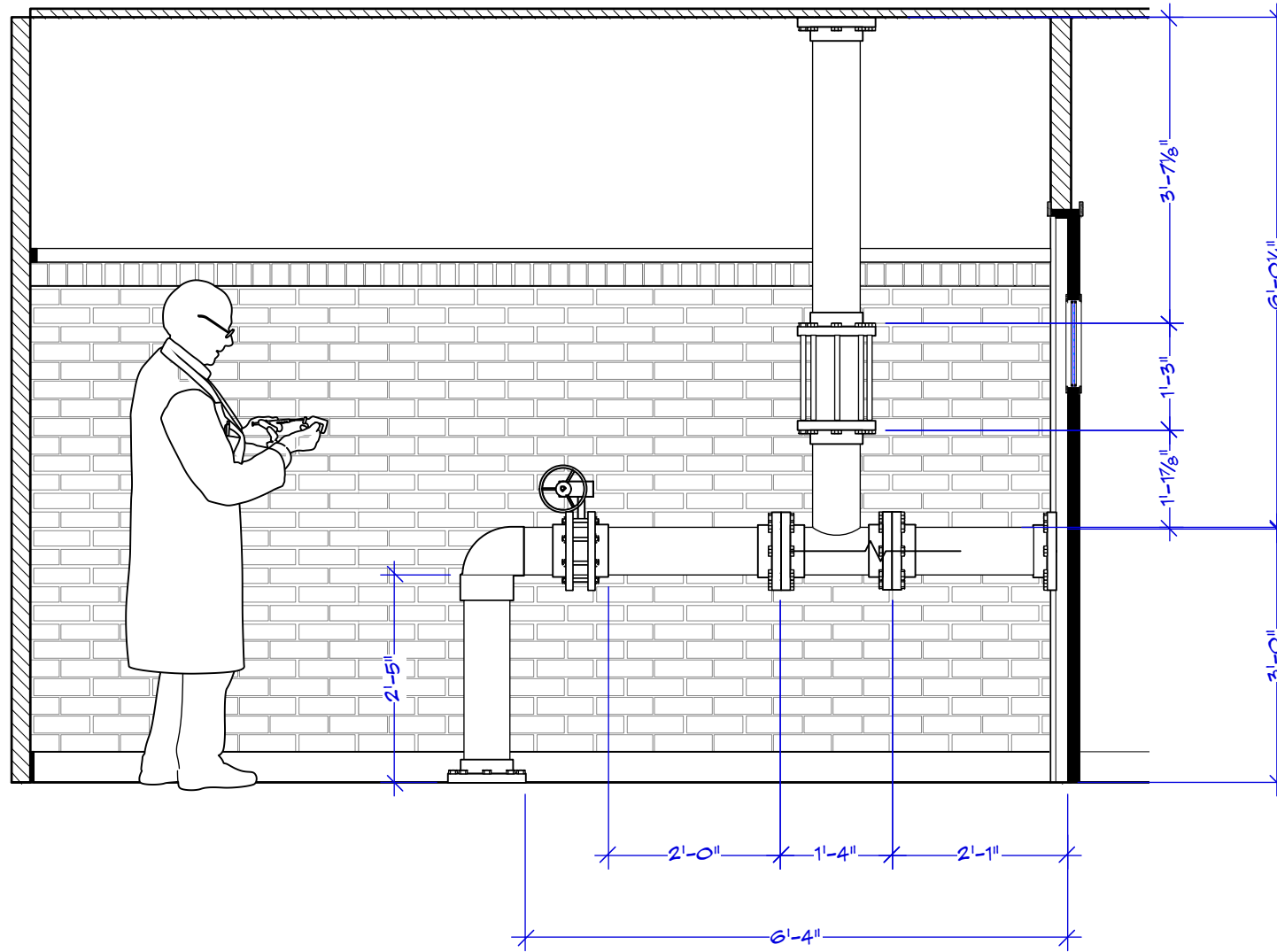
A PIPES WALL A
SCALE: 1/2" = 1'-0"



B PIPES WALL B
SCALE: 1/2" = 1'-0"

RELEASED 8/14/2019


	PROD. DESIGNER: CURT BEECH ART DIRECTOR: MARCI MUDD	DRAWING: GROUND PLAN	SHOOT DATE: TBD	SET #: 371	DATE DRAWN: 8/14/2019	PIPE WALL A & B
	DRAWING BY: M. FAHRER	LOCATION: STAGE 28	SCALE: 1/2"=1'-0"	SCENE #: xx	REVISED: XX/XX/2019	

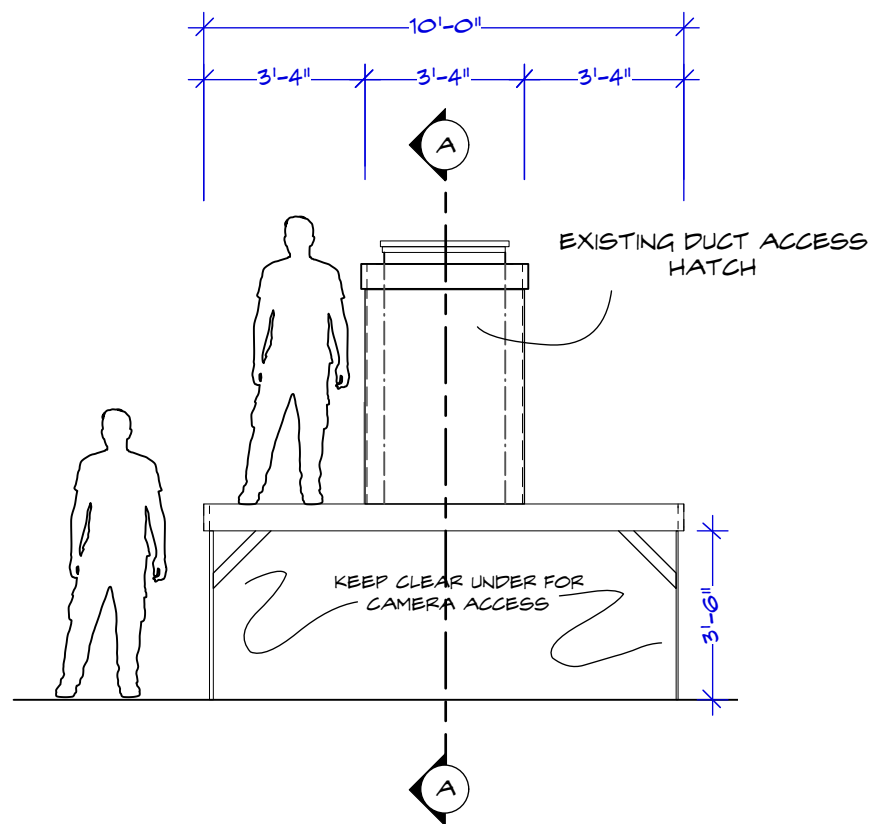


Ⓝ PIPES WALL J
SCALE: 1/2" = 1'-0"

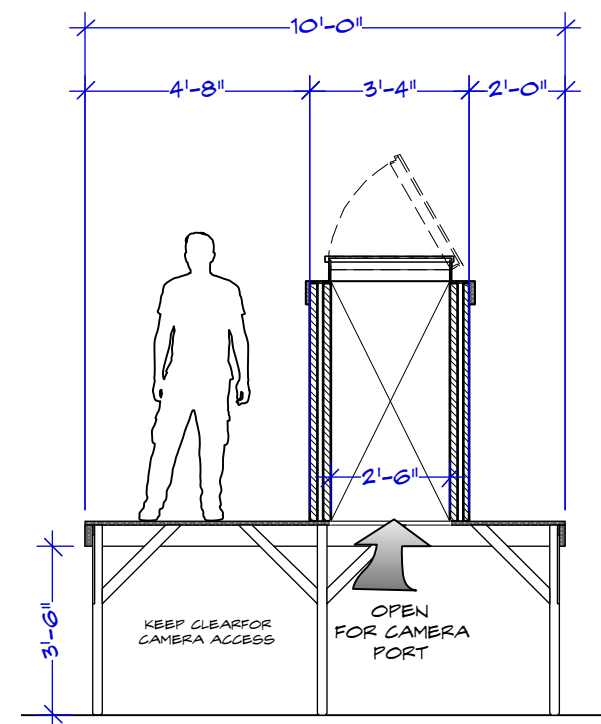
MAKE 2

RELEASED 8/14/2019

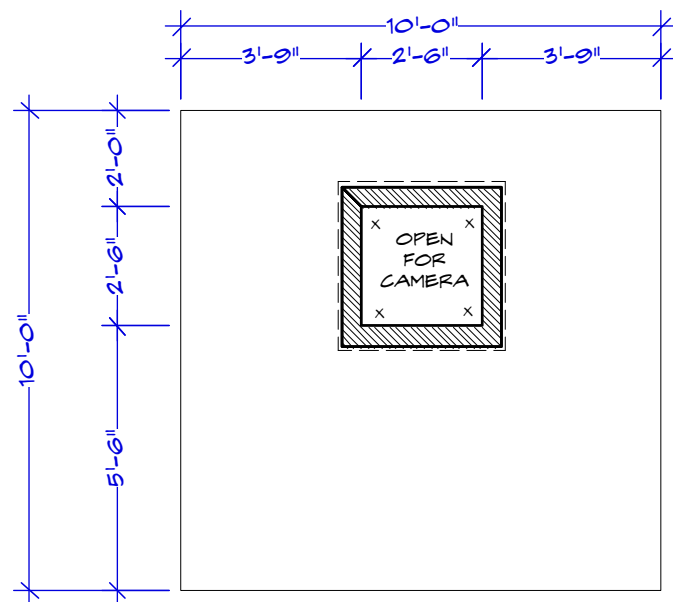
	PROD. DESIGNER: CURT BEECH ART DIRECTOR: MARCI MUDD	DRAWING: GROUND PLAN	SHOOT DATE: TBD	SET #: 371	DATE DRAWN: 8/14/2019	PIPE WALL B
	DRAWING BY: M. FAHRER	LOCATION: STAGE 28	SCALE: 1/2"=1'-0"	SCENE #: xx	REVISED: XX/XX/2019	



A FRONT PLATFORM
SCALE: 1/4" = 1'-0"



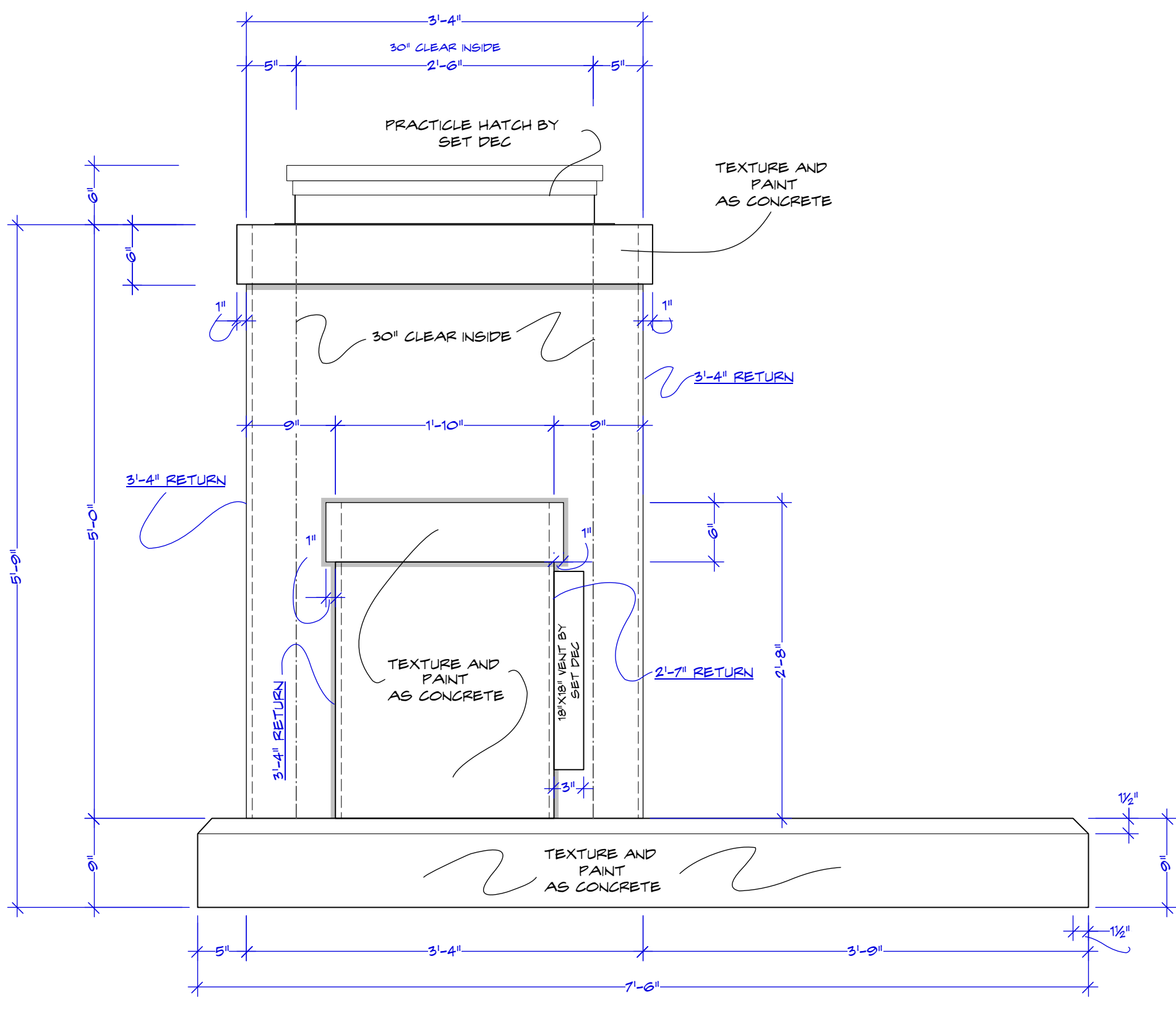
A-A SECTION A-A
SCALE: 1/4" = 1'-0"



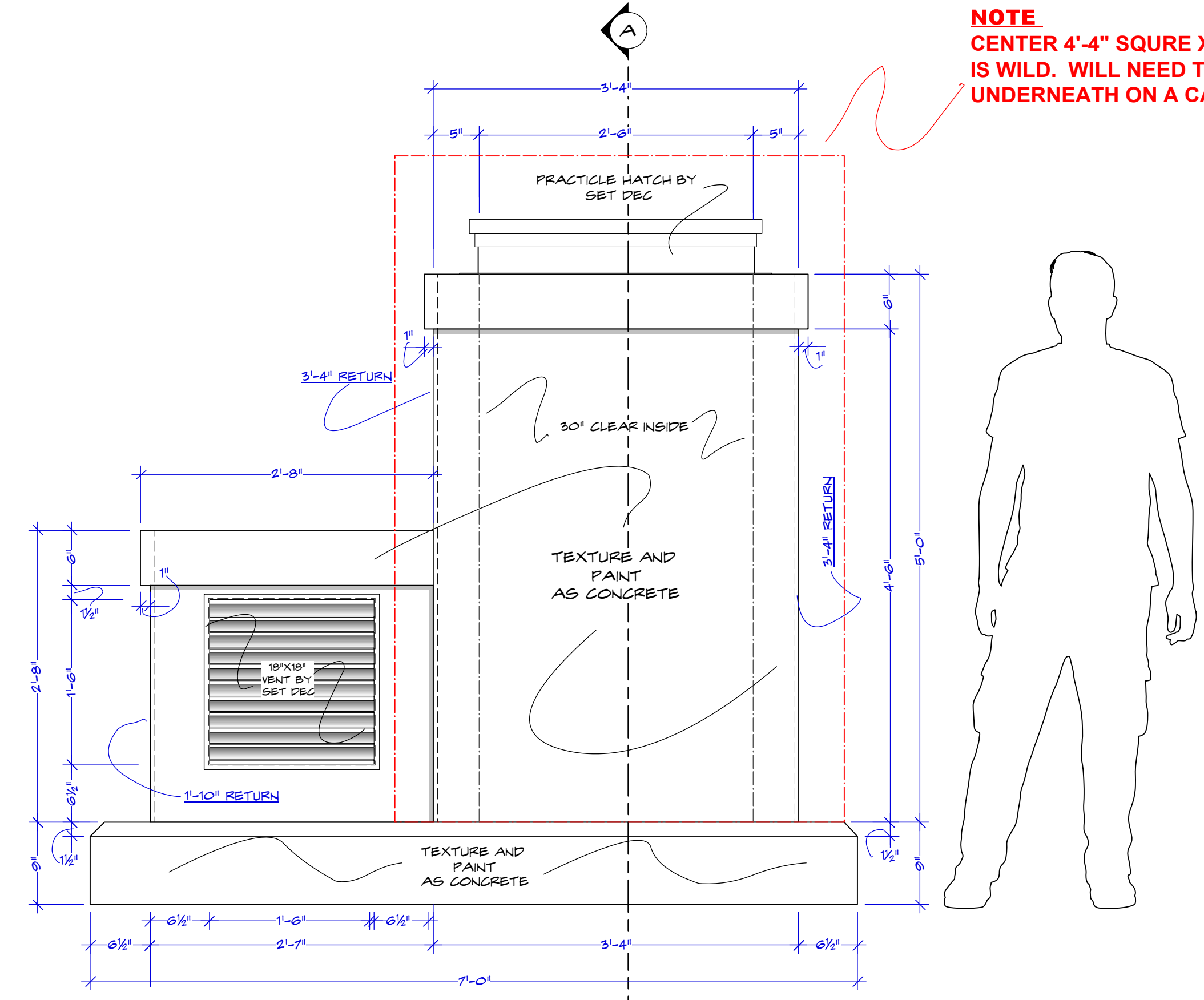
CAMERA PLATFORM PLAN
SCALE: 1/4" = 1'-0"

PRELIMINARY 8/14/2019

	PROD. DESIGNER: CURT BEECH ART DIRECTOR: MARCI MUDD	DRAWING: DIRECTORS PLAN	SHOOT DATE: 08/30/2019	SET #: 389	DATE DRAWN: 8/14/2019	VENT ACCESS CAMERA PLATFORM
	DRAWING BY: M. FAHRER	LOCATION: LOCATION ADDRESS	SCALE: 1/4"=1'-0"	SCENE #: 48pt2	REVISED: XX/XX/2019	

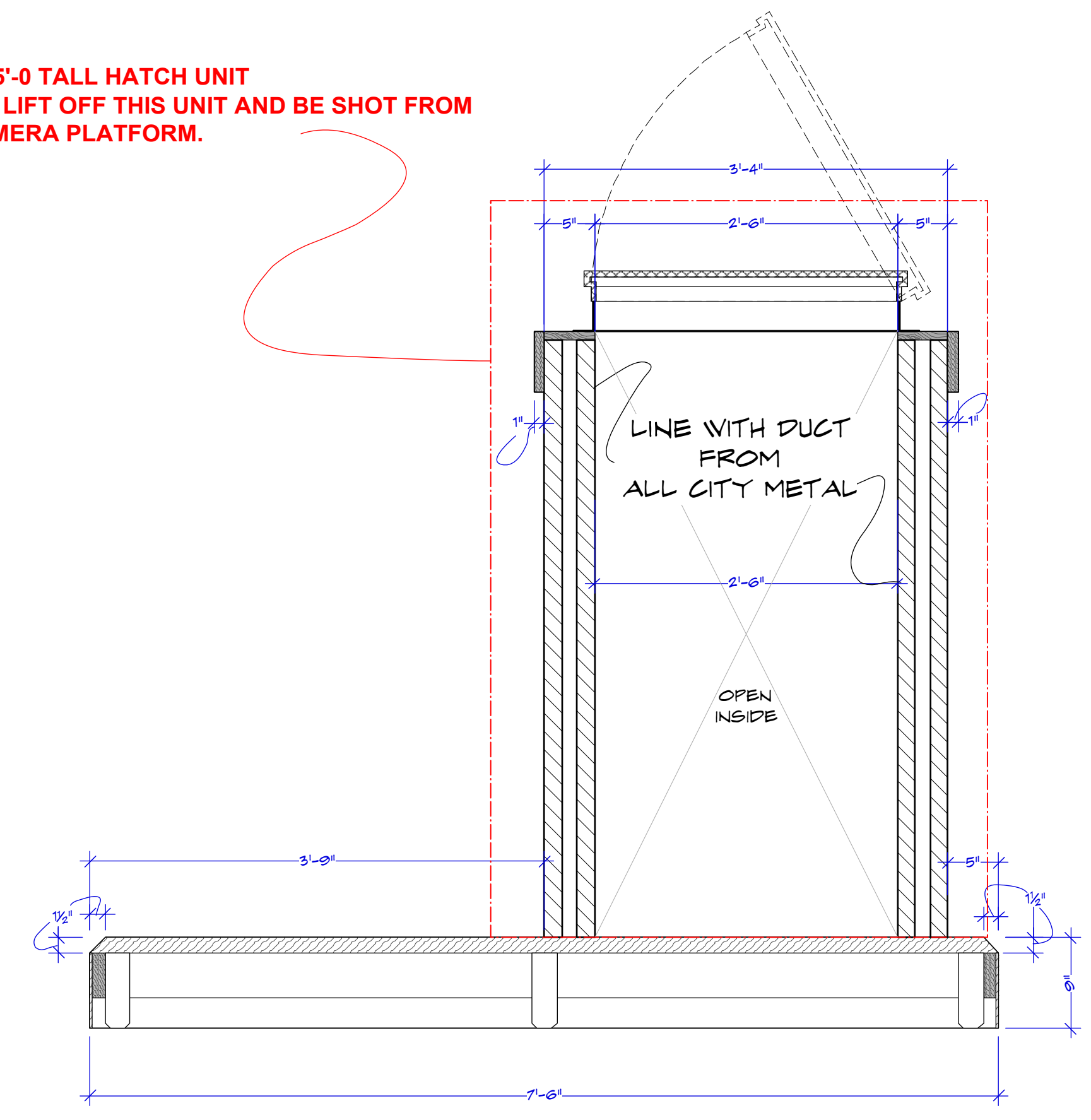


B BUNKER ACCESS SIDE
SCALE: 1" = 1'-0"

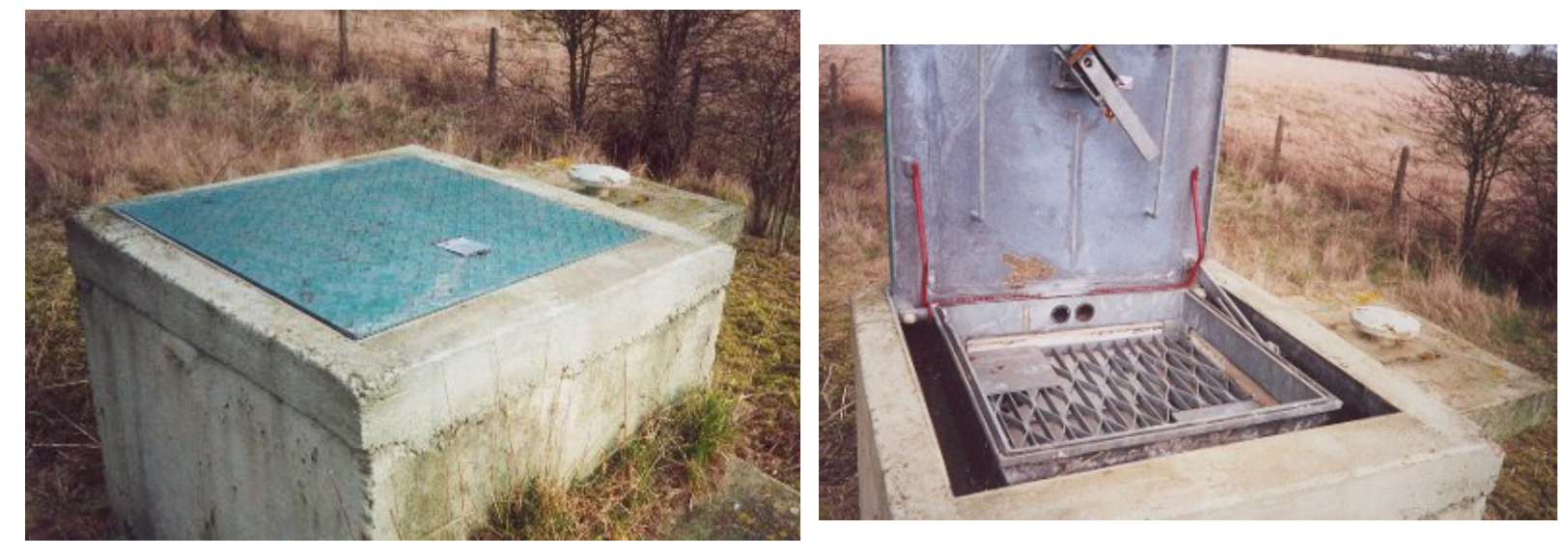


A BUNKER ACCESS FRONT
SCALE: 1" = 1'-0"

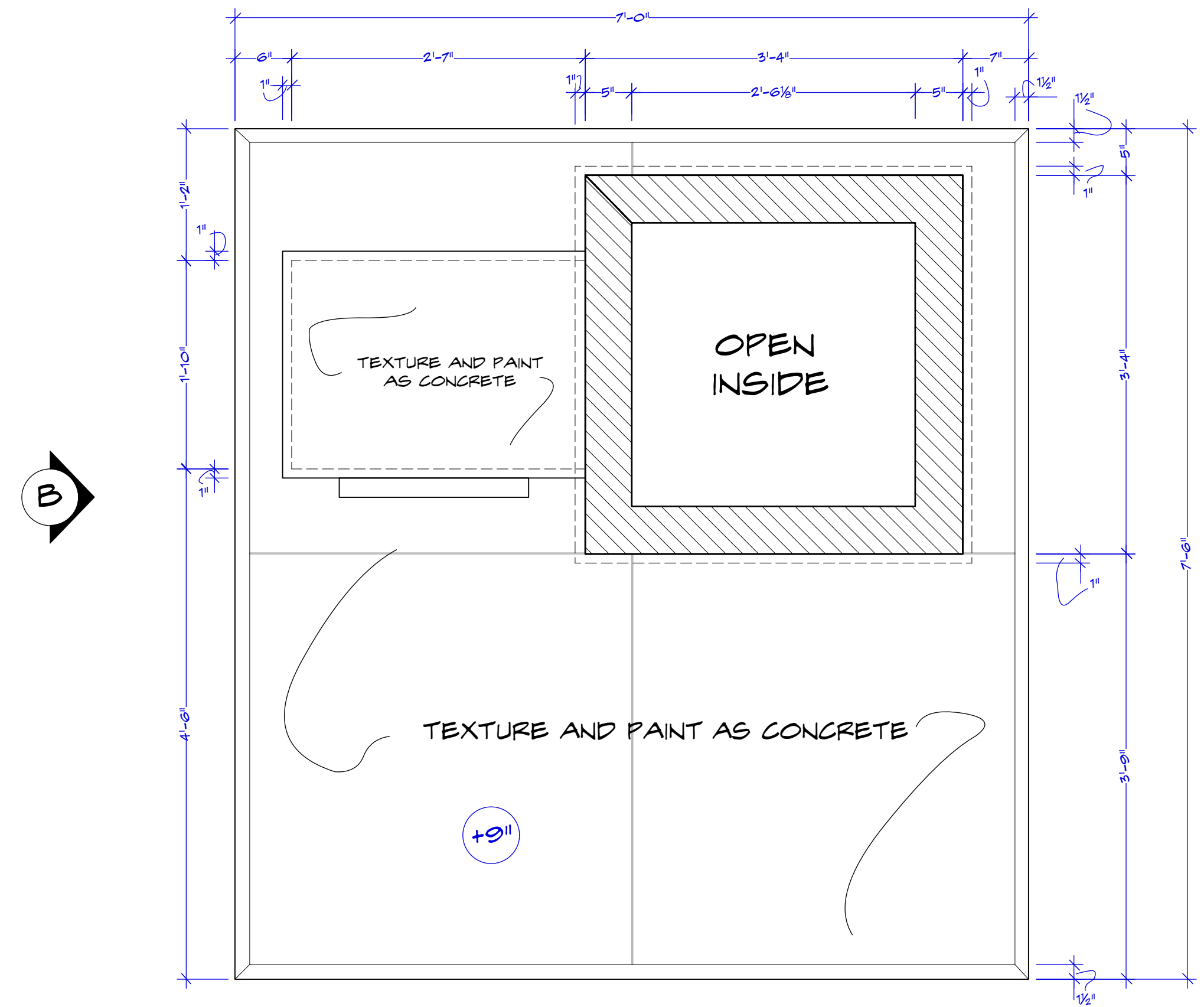
NOTE
CENTER 4'-4" SQUIRE X 5'-0" TALL HATCH UNIT IS WILD. WILL NEED TO LIFT OFF THIS UNIT AND BE SHOT FROM UNDERNEATH ON A CAMERA PLATFORM.



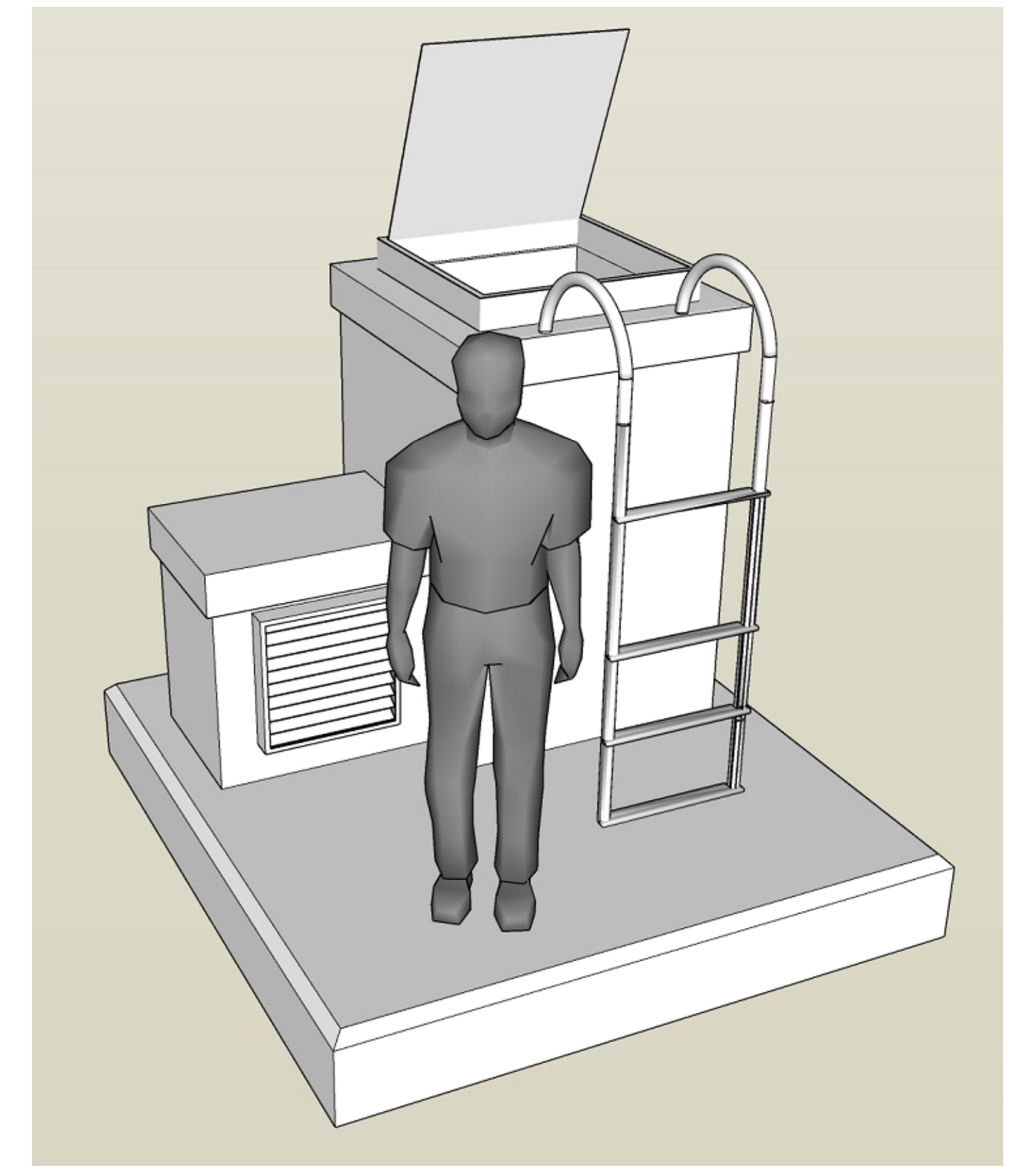
A-A SECTION A-A
SCALE: 1" = 1'-0"



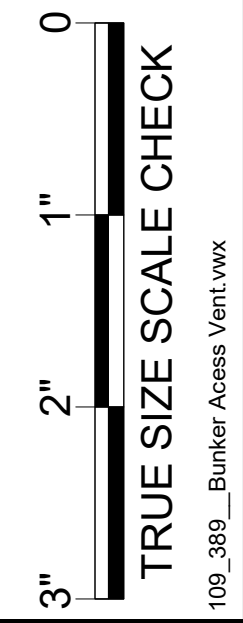
RESEARCH IMAGES



BUNKER ACCESS PLAN VIEW
SCALE: 1" = 1'-0"



3D REFERENCE



TRUE SIZE SCALE CHECK
109_389_Bunker Access Vent.vwx