

GATE AND WALL CONSTRUCTION PLAN
SCALE: 1/8" = 1'-0"

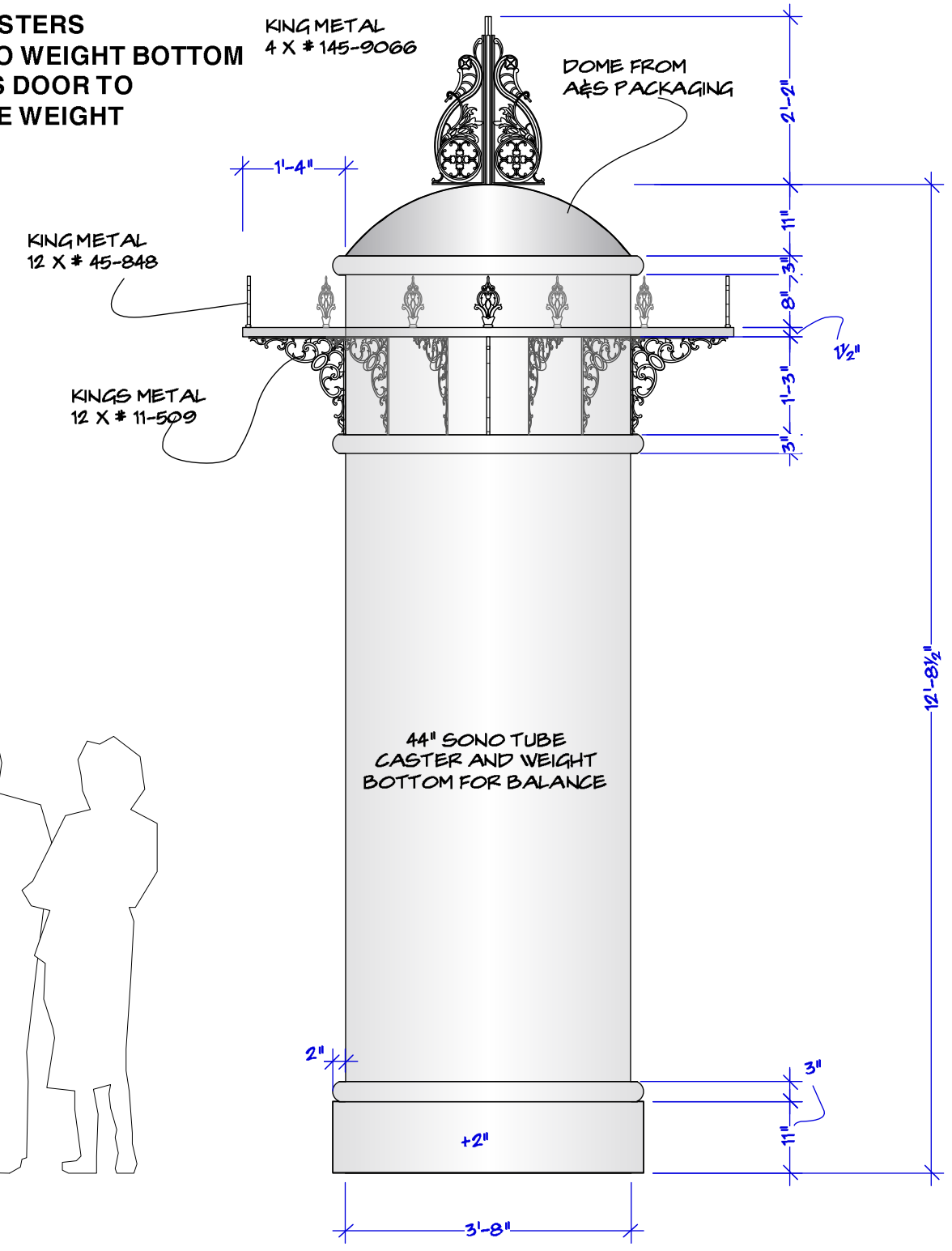
3" 2" 1" 0
TRUE SIZE SCALE CHECK
101-124_DP_Warshaw_Ghetto_Elevations.rvt



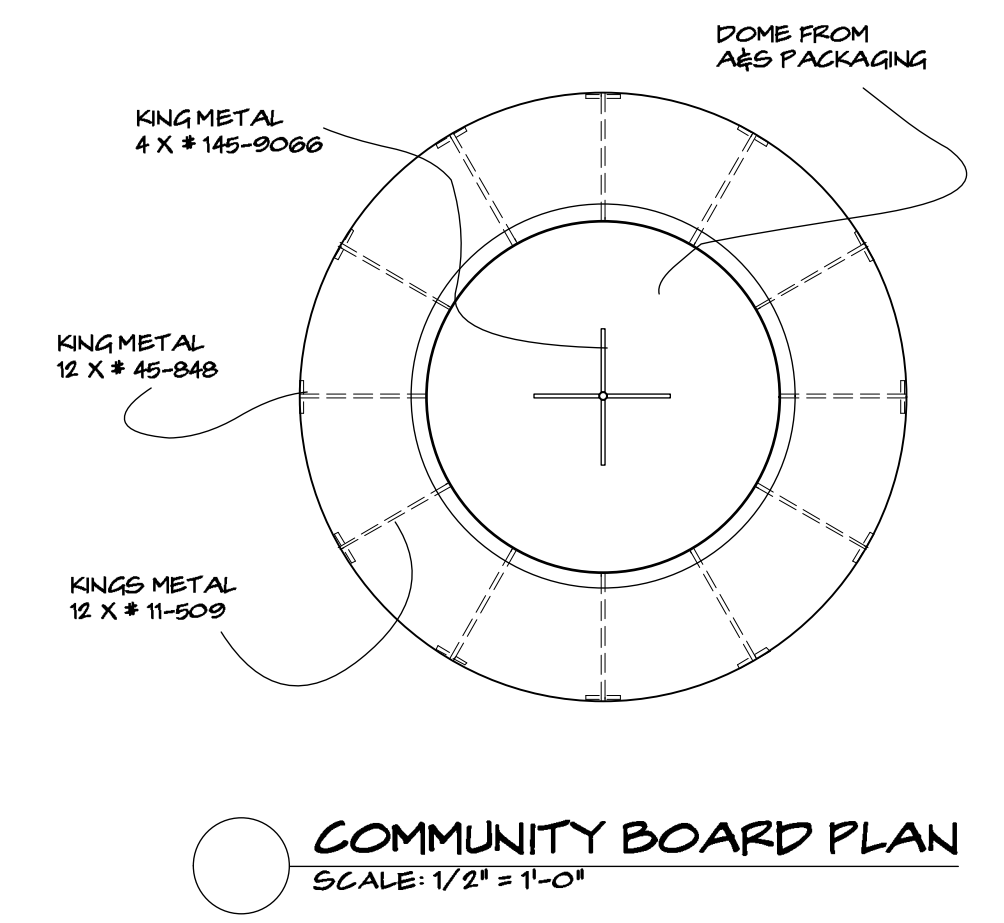
RELEASED 03/18/2019

Exec Producer: NIKKI TOSCANO Line Producer: BILL SELL Address: STEINER STUDIO 15 WASHINGTON AVE Prod. Designer: CURT BEECH Set Decorator: SUSAN MARSHAL	Producer: JERRY KUPFER UPM: BILL SELL ART Director: MARCI MUDD Const. Coordinator: NILES HORTON	Set Name & Description: LODZ GHETTO TECHNICAL PLAN	Episode: 101 Set #: 124 Scale: NOTED	Drawing Date: 3/18/2019 Shoot Date: 03/28/2019 Drawn by: -- Sheet No.: 124-01
---	--	--	---	---

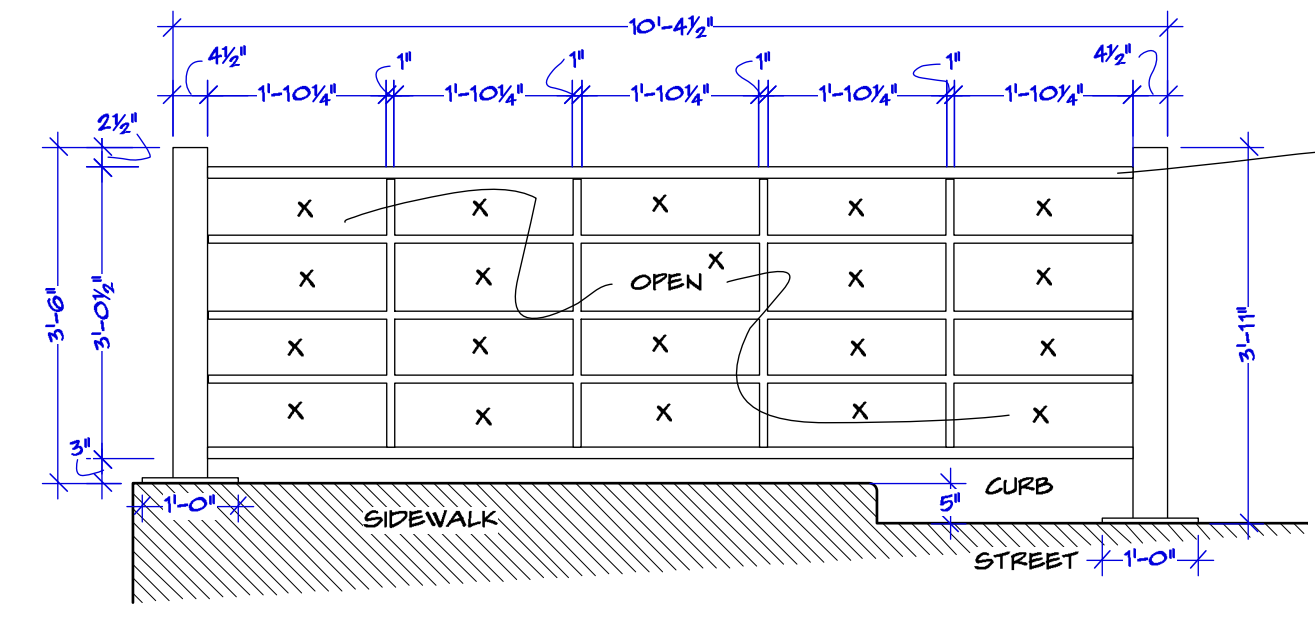
NOTE:
UNIT WILD ON CASTERS
PROVIDE AREA TO WEIGHT BOTTOM
PROVIDE ACCESS DOOR TO
ADD AND REMOVE WEIGHT



A COMMUNITY BOARD FRONT ELEVATION
SCALE: 1/2" = 1'-0"

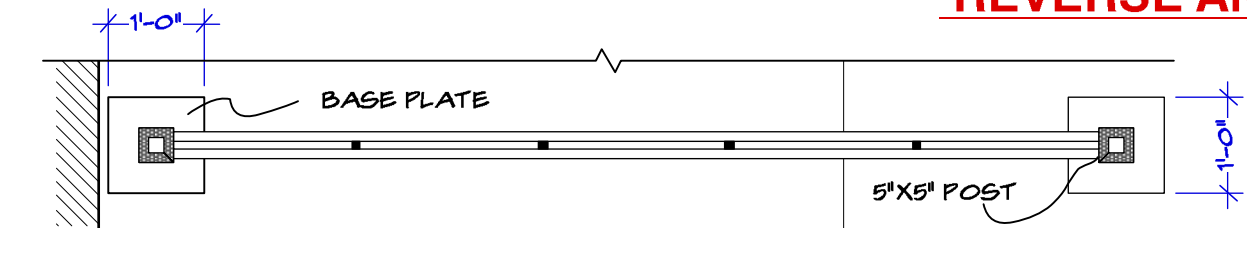


COMMUNITY BOARD PLAN
SCALE: 1/2" = 1'-0"

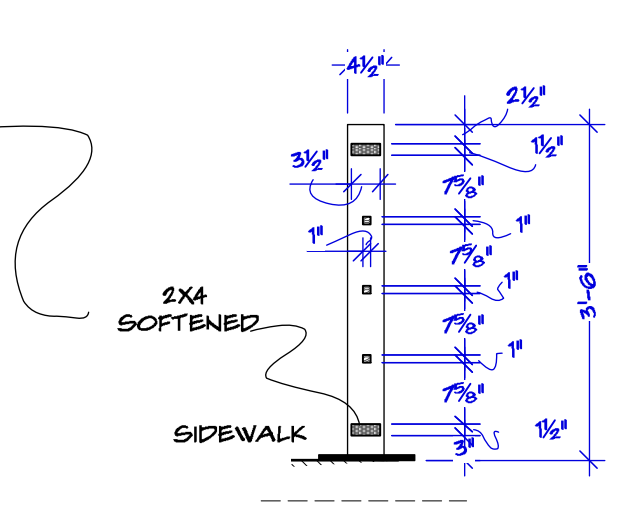


B GATE FENCE REVERSE AND REPEAT
SCALE: 1/2" = 1'-0"

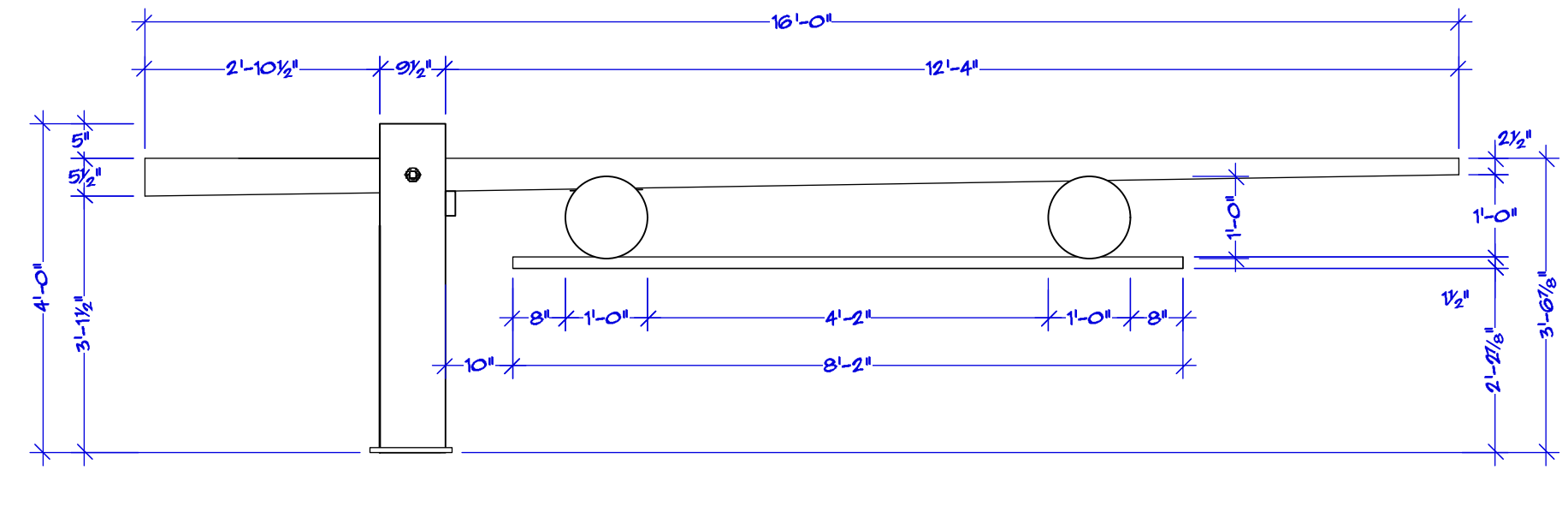
**MAKE 2 GATE FENCES
REVERSE AND REPEAT**



GATE FENCE PLAN
SCALE: 1/2" = 1'-0"

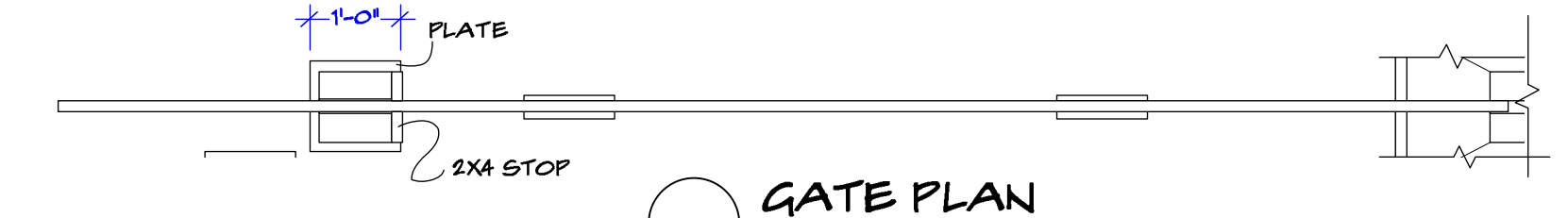


SECTION AT CENTER
SCALE: 1/2" = 1'-0"

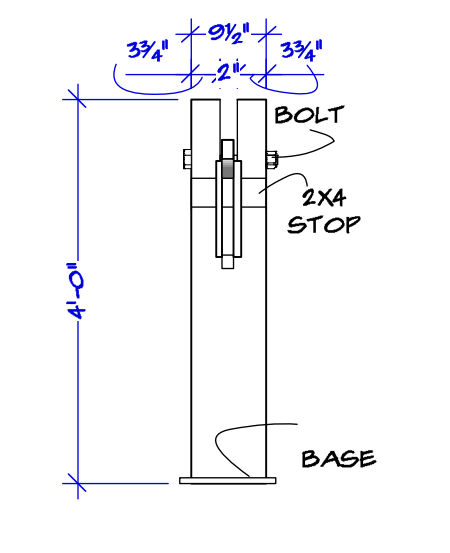


C GATE REVERSE AND REPEAT
SCALE: 1/2" = 1'-0"

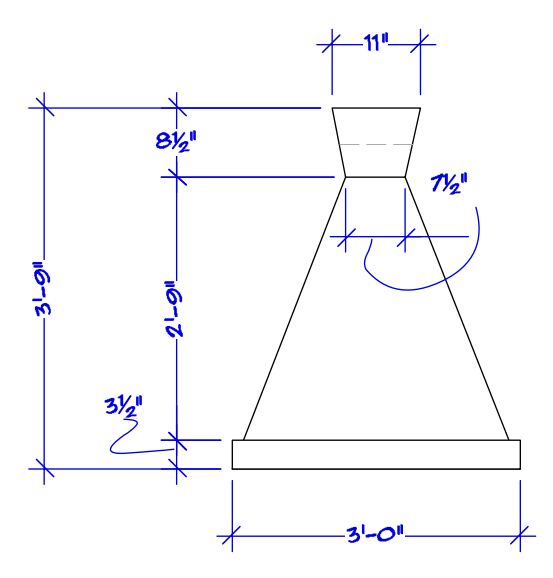
**MAKE 2 GATES
REVERSE AND REPEAT**



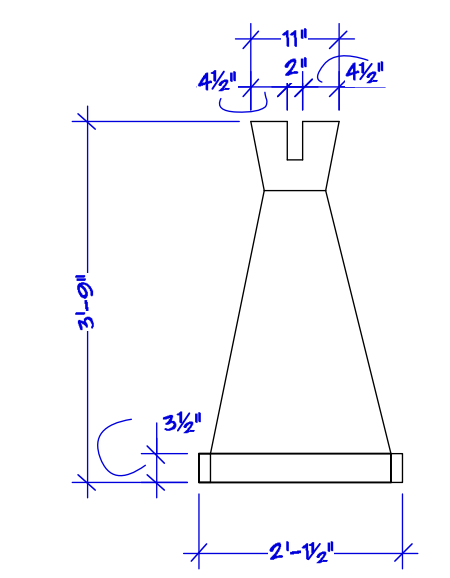
GATE PLAN
SCALE: 1/2" = 1'-0"



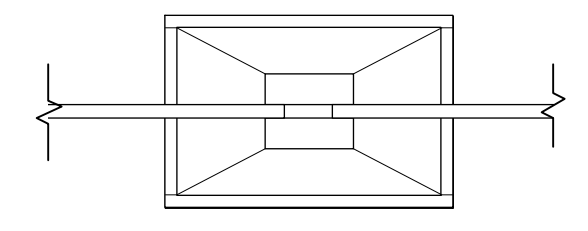
SIDE VIEW
SCALE: 1/2" = 1'-0"



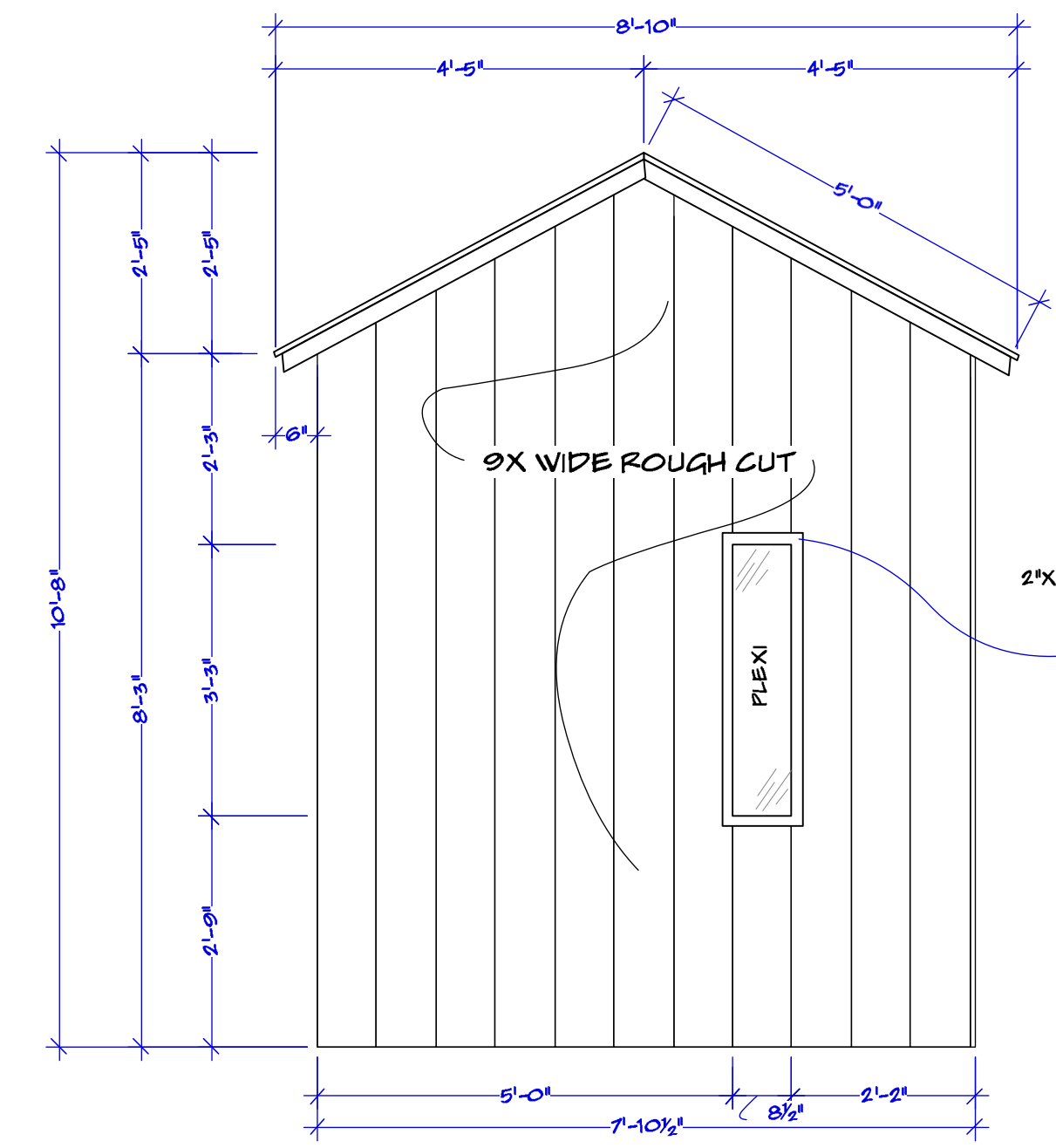
D GATE STOP
SCALE: 1/2" = 1'-0"



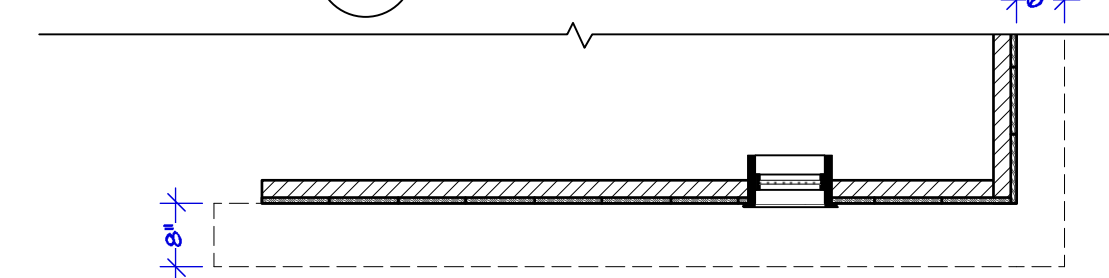
GATE STOP SIDE
SCALE: 1/2" = 1'-0"



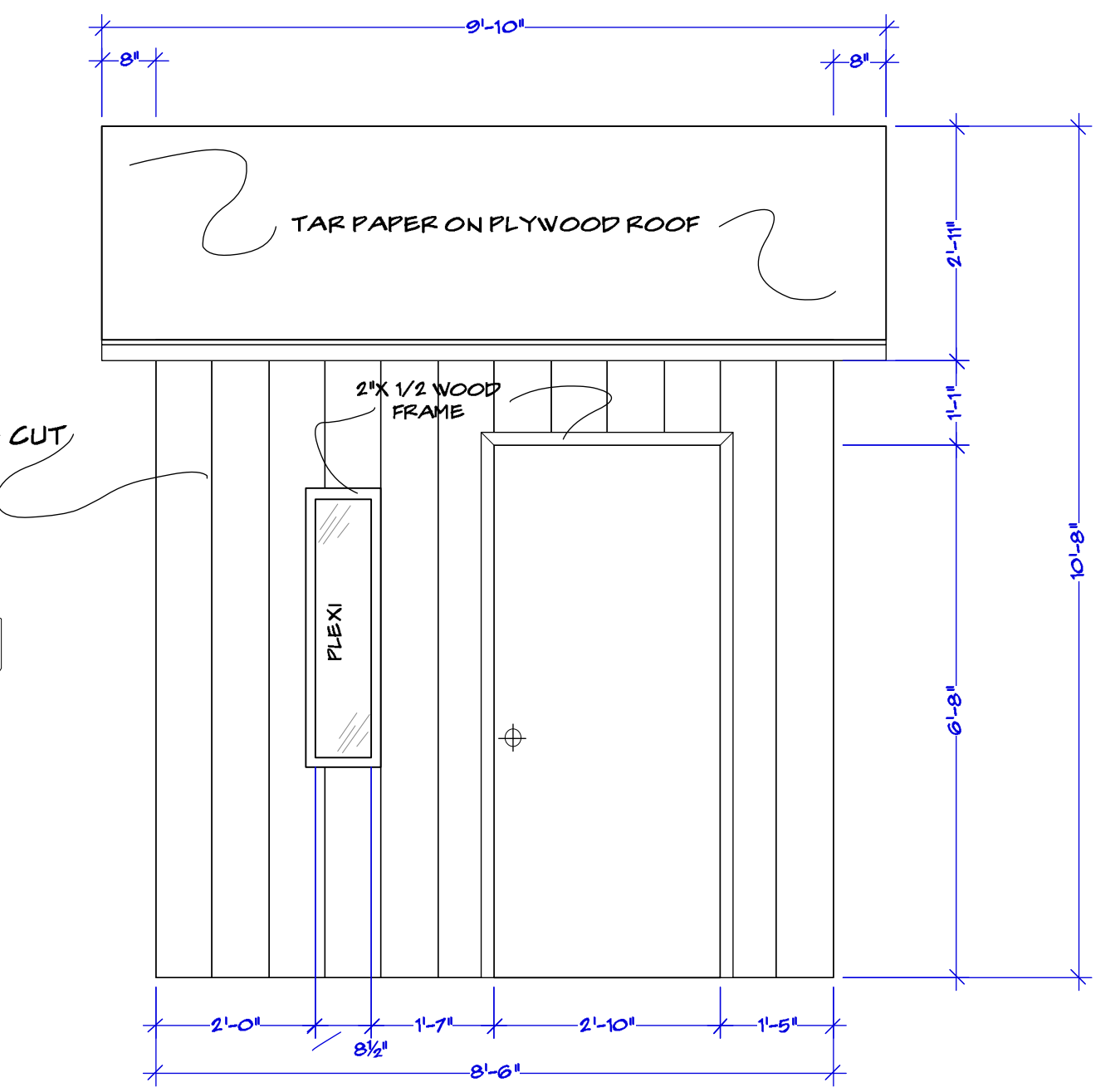
GATE STOP PLAN
SCALE: 1/2" = 1'-0"



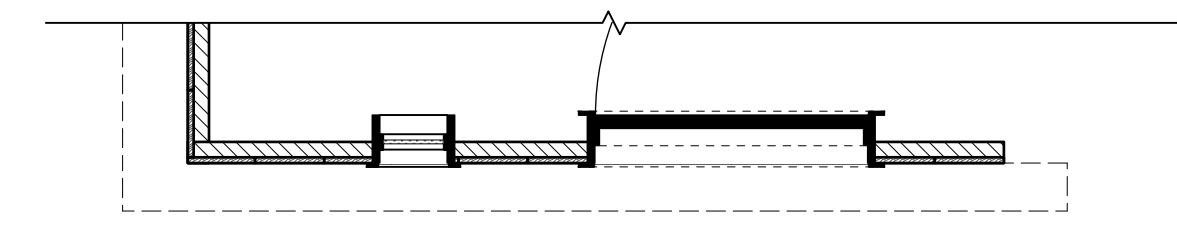
E GUARD SHACK SIDE
SCALE: 1/2" = 1'-0"



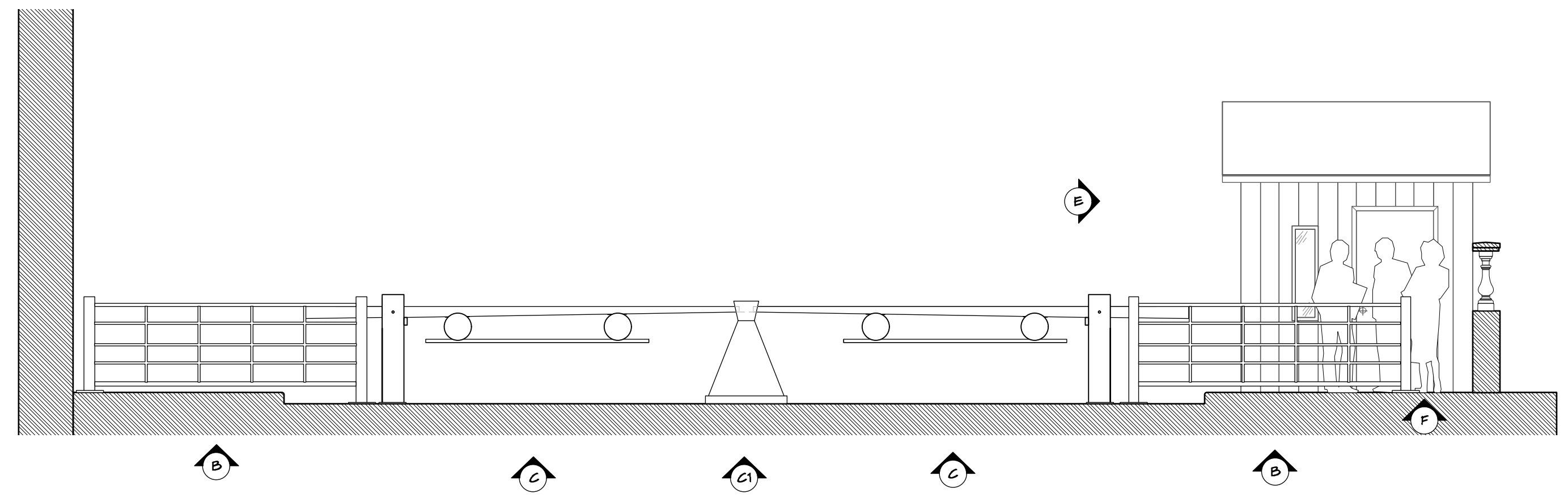
GUARD SHACK PLAN
SCALE: 1/2" = 1'-0"



F GUARD SHACK
SCALE: 1/2" = 1'-0"



GUARD SHACK PLAN
SCALE: 1/2" = 1'-0"



FRONT REFERENCE
SCALE: 1/4" = 1'-0"

3" 2" 1" 0
TRUE SIZE SCALE CHECK
101-124_DP_Warshaw_Ghetto_Elevations.rvt

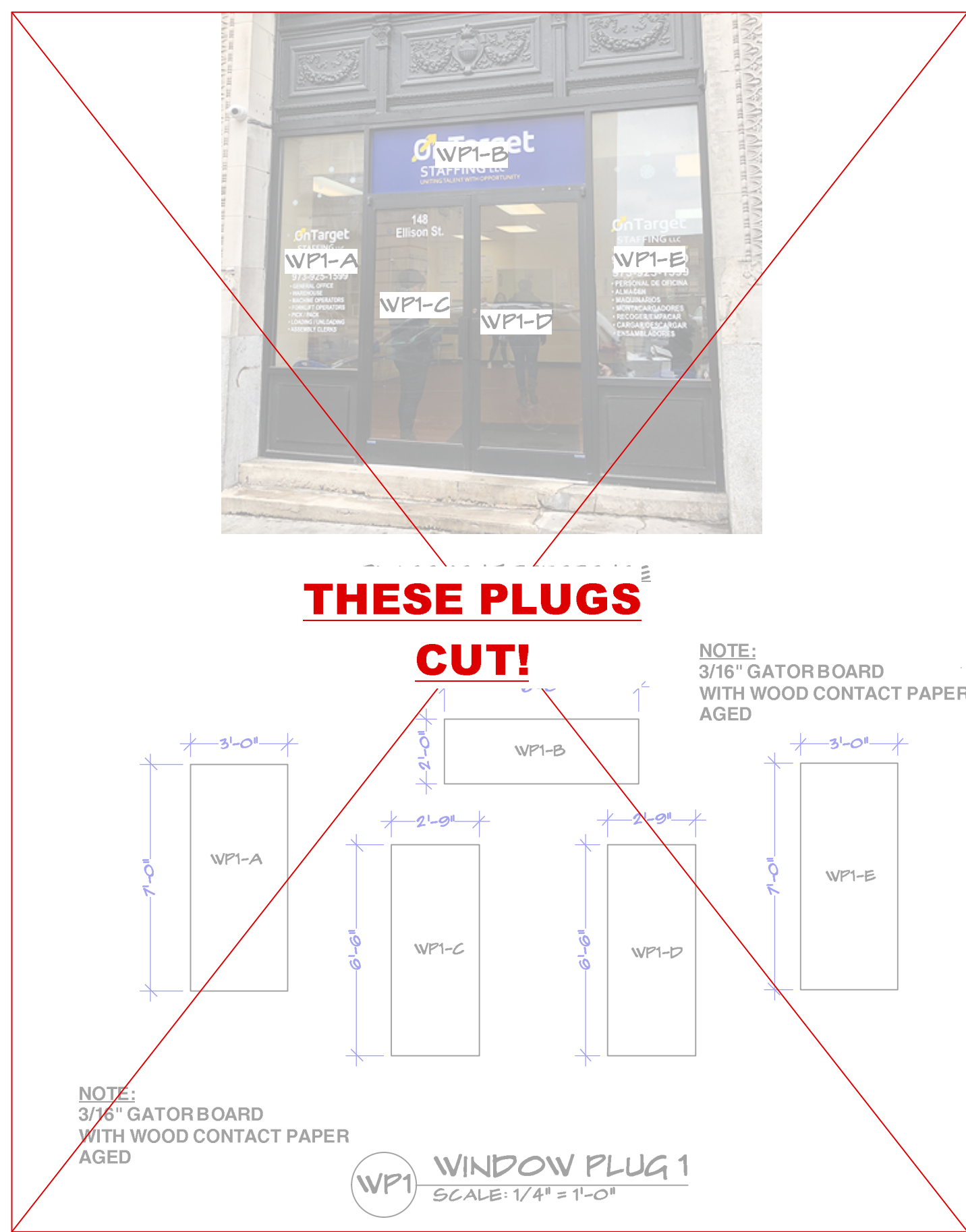
RELEASED 03/18/2019

Episode: 101	Drawn by: -
Set #: 124	Drawing Date: 3/18/2019
Scale: NOTED	Sheet No.: 124-02
	Shot Date: 03/28/2018

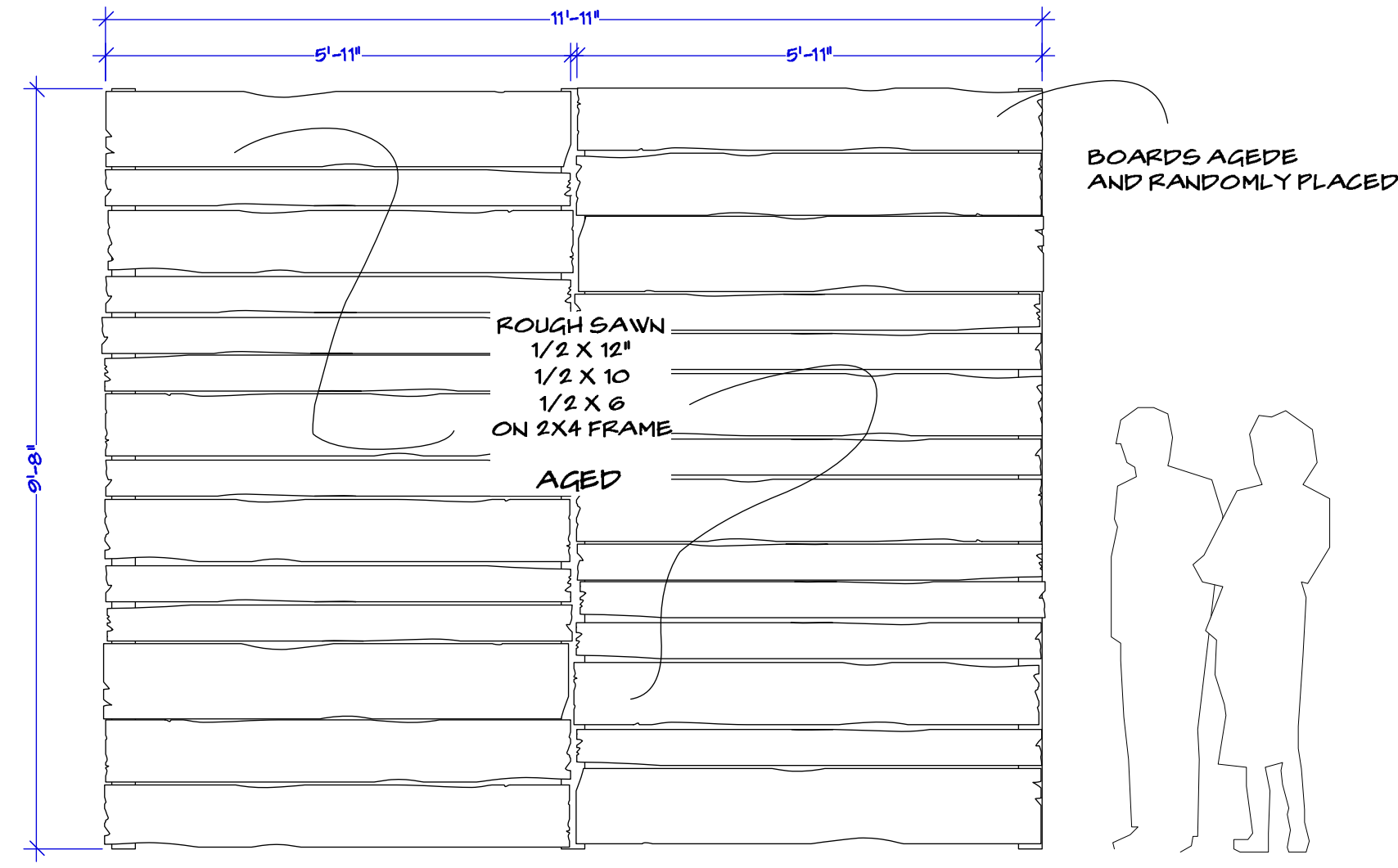
Set Name & Description: LODZ GHETTO - ELEVATION A-F
Director: VARIOUS
Location: PATTERSON NJ

Exec Producer: NIKKI TOSCANO	Producer: JERRY KUPFER
Line Producer: BILL SELL	UPM: BILL SELL
Address: STEINER STUDIO 15 WASHINGTON AVE	ART Director: MARCI MUDD
Prod Designer: CURT BEECH	Constr. Coordinator: NILES NORTON
Set Decorator: SUSAN MARSHAL	





PLACEMENT REFERENCE

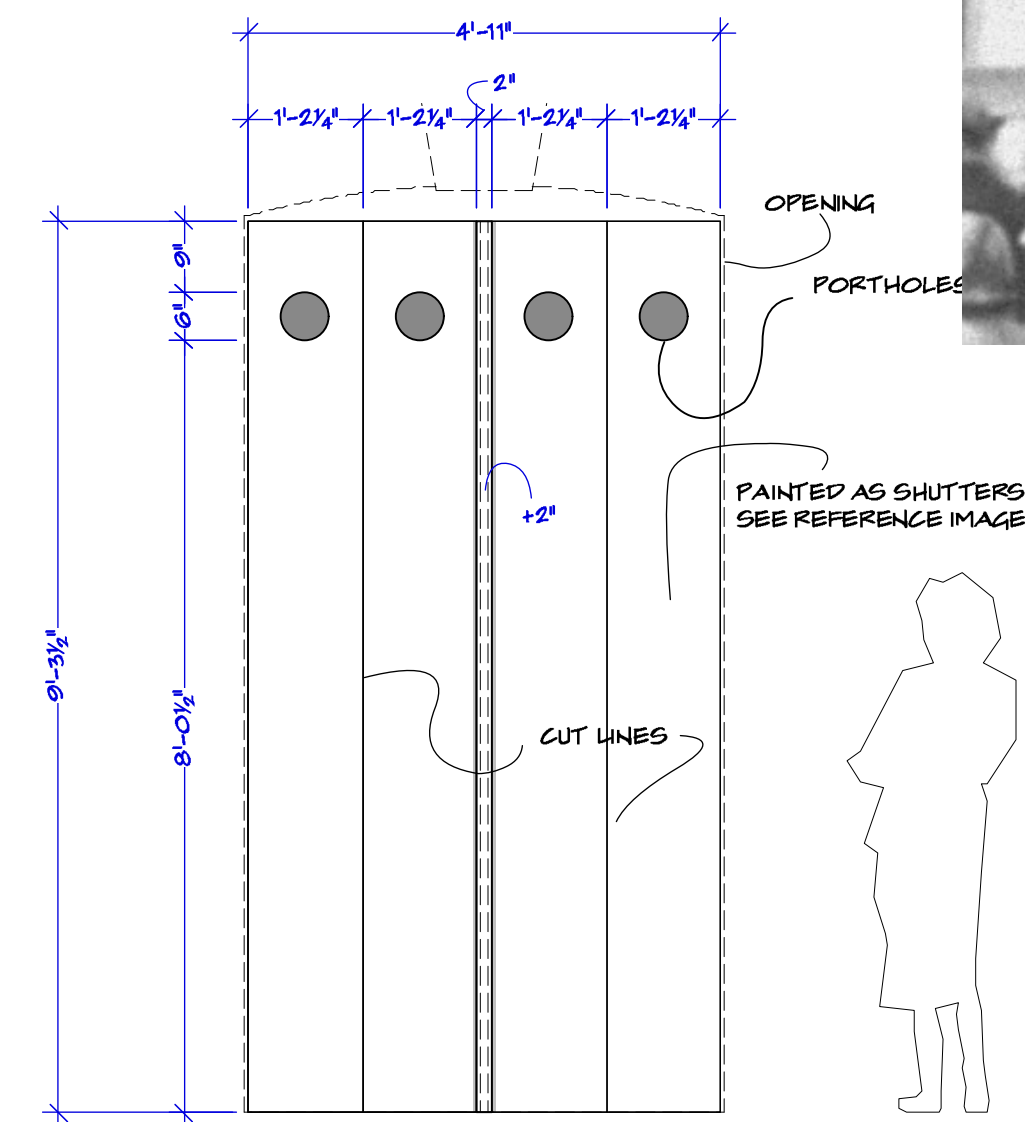


WP WINDOW PLUGS WP2, WP3, WP6, WP8
SCALE: 1/2" = 1'-0" **MAKE 4**

WP2, WP3, WP6, WP8 PLAN
SCALE: 1/2" = 1'-0"



PLACEMENT REFERENCE



WP WINDOW PLUGS WP4, WP5
SCALE: 1/2" = 1'-0" **MAKE 2**

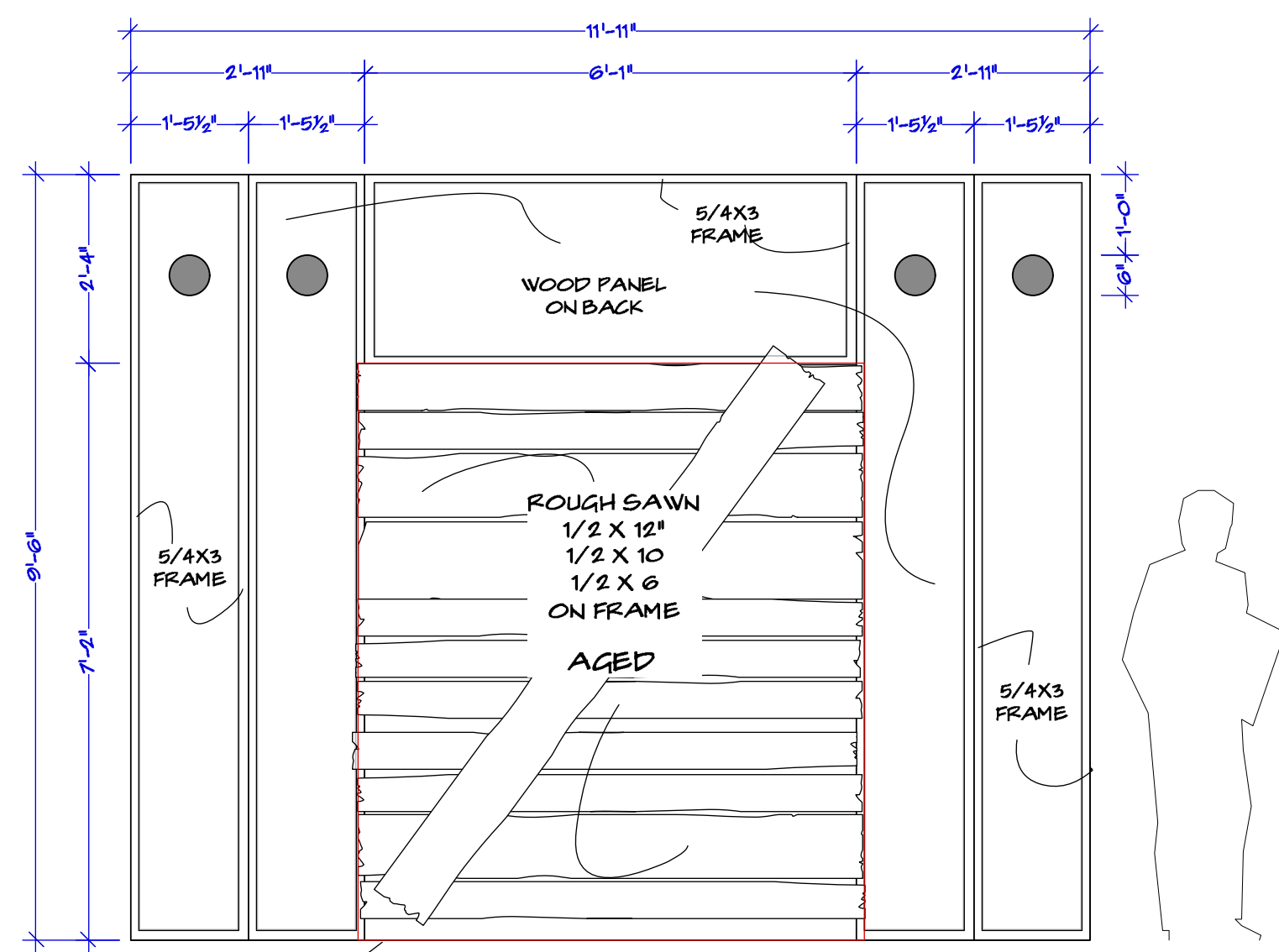
WINDOW PLUGS PLAN 1
SCALE: 1/2" = 1'-0"



REFERENCE IMAGE



PLACEMENT REFERENCE

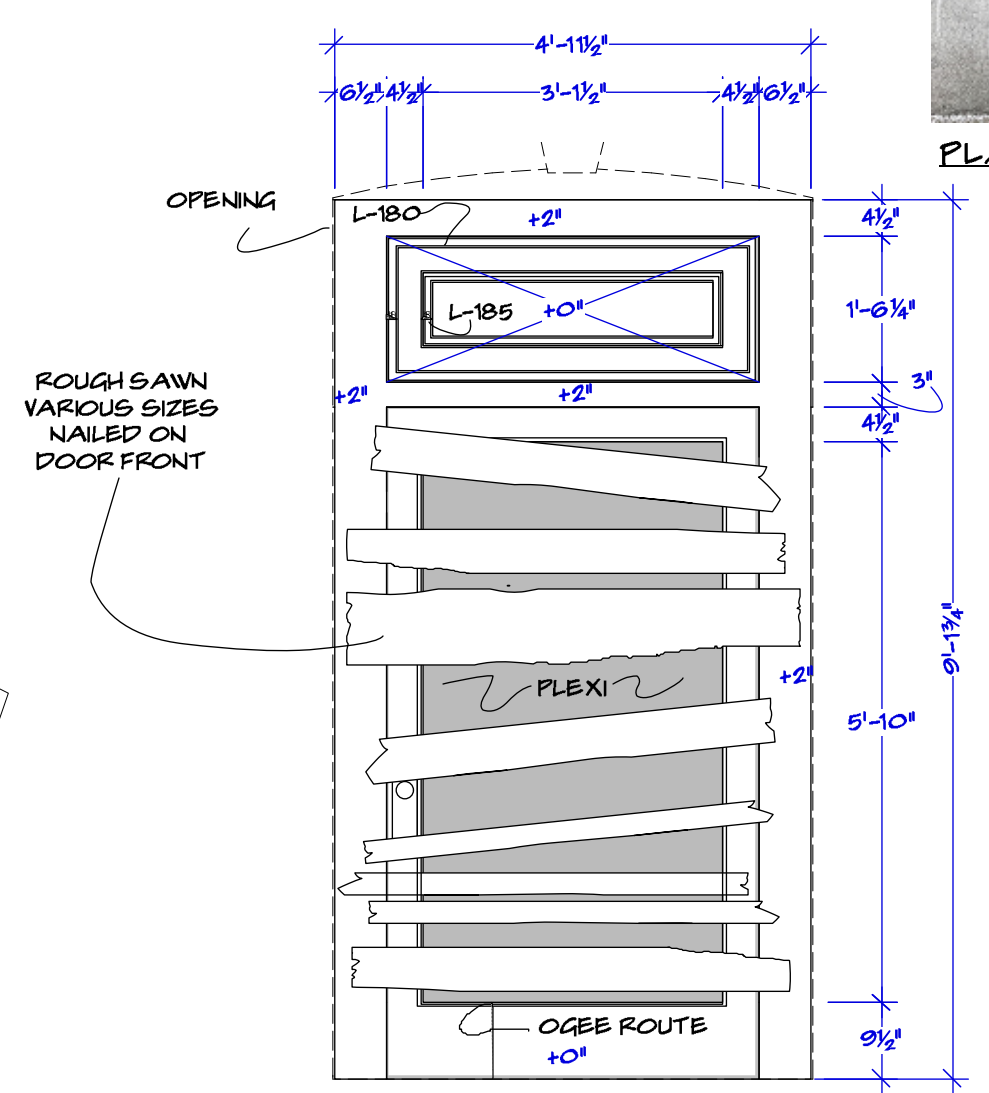


WP7 WINDOW PLUG WP7
SCALE: 1/2" = 1'-0"

WP7 PLAN
SCALE: 1/2" = 1'-0"



PLACEMENT REFERENCE

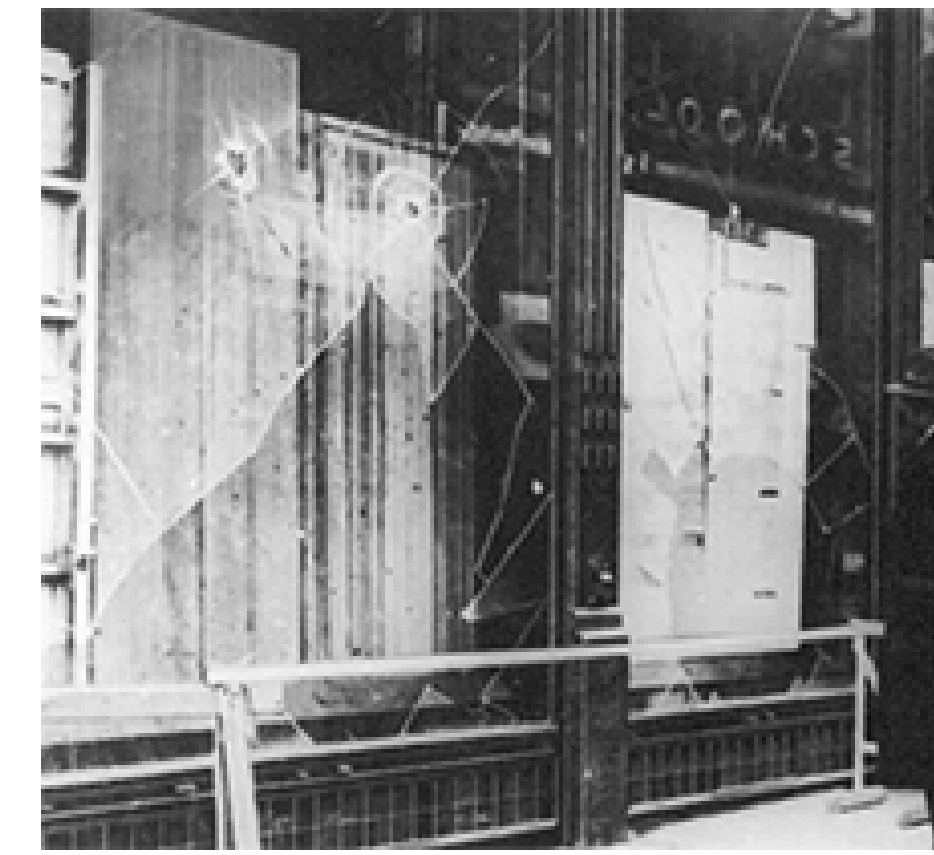


WP9 WINDOW PLUG WP9
SCALE: 1/2" = 1'-0"

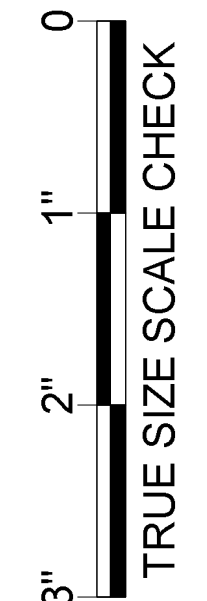
WP9 WINDOW WP9 PLAN
SCALE: 1/2" = 1'-0"



WP10 WINDOW PLUG WP10
SCALE: ACTUAL SIZE



REFERENCE IMAGE



101-124_DP_Warsaw_Ghetto_3-18-19_vxx

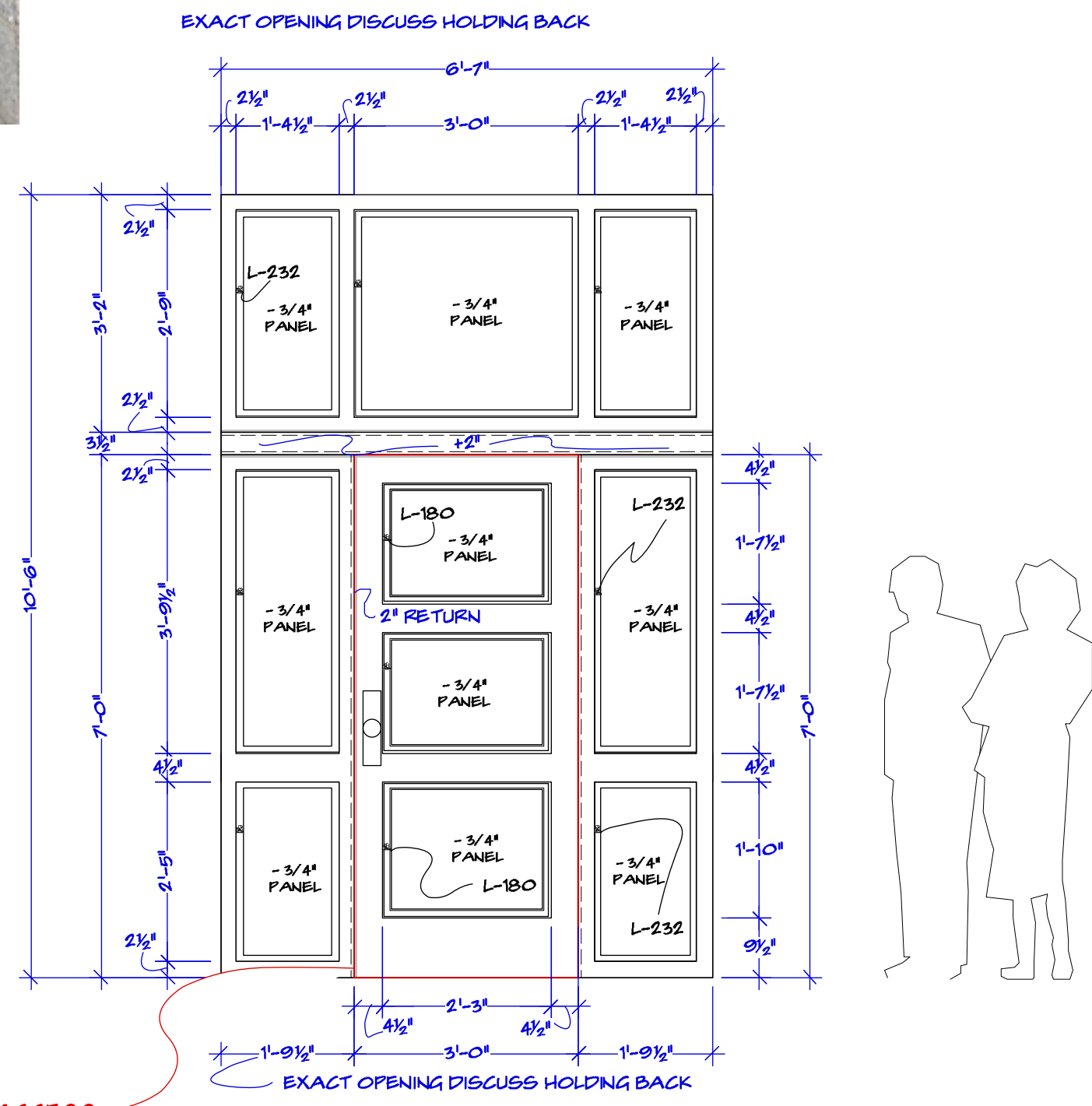


RELEASED 03/18/2019

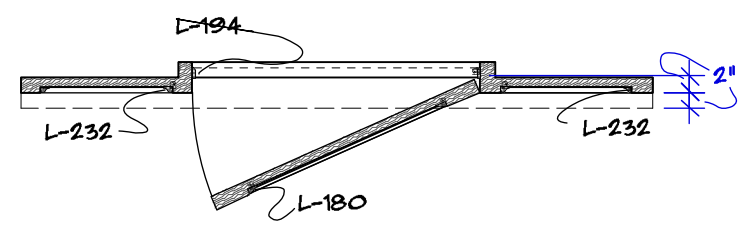
Episode: 101	Set #: 124	Scale: NOTED
Director: VARIOUS	Location: PATTERSON NJ	
Prod. Designer: CURT BEECH	Const. Coordinator: NILES HORTON	
Line Producer: BILL SELL	UM: BILL SELL	
Address: STEINER STUDIO 15 WASHINGTON AVE	AT Director: MARCI MUDD	
Exec Producer: NIKKI TOSCANO	Producer: JERRY KUPFER	
Set Name & Description: LODZ GHETTO ELEVATIONS WP1-WP10		
Drawing Date: 3/18/2019	Drawn by: -	
Shoot Date: 03/28/2018		Sheet No.: 124-04



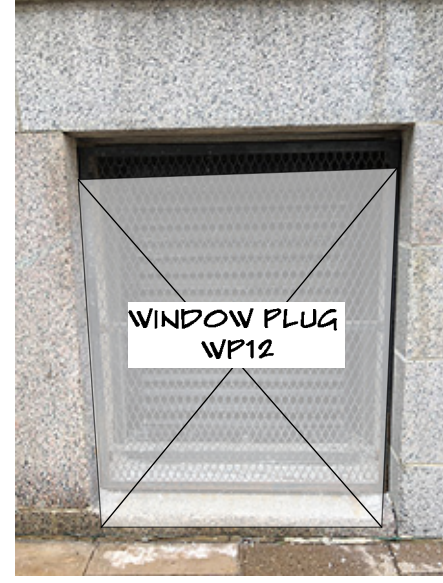
PLACEMENT REFERENCE



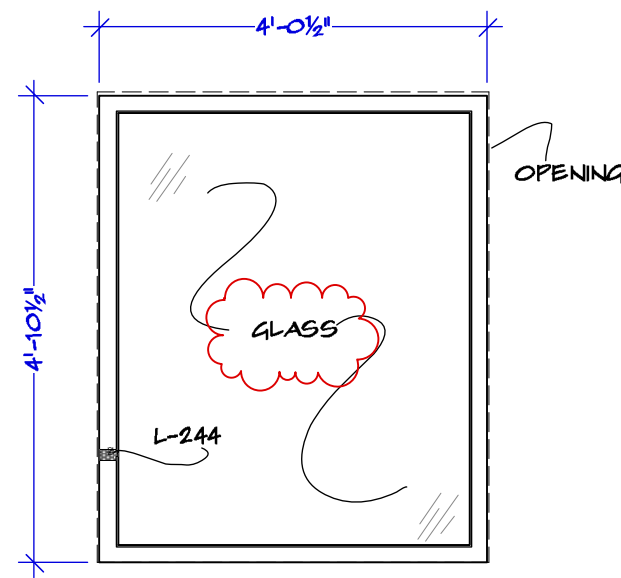
WP11 WINDOW PLUG WP11
SCALE: 1/2" = 1'-0"



WP 11 PLAN
SCALE: 1/2" = 1'-0"



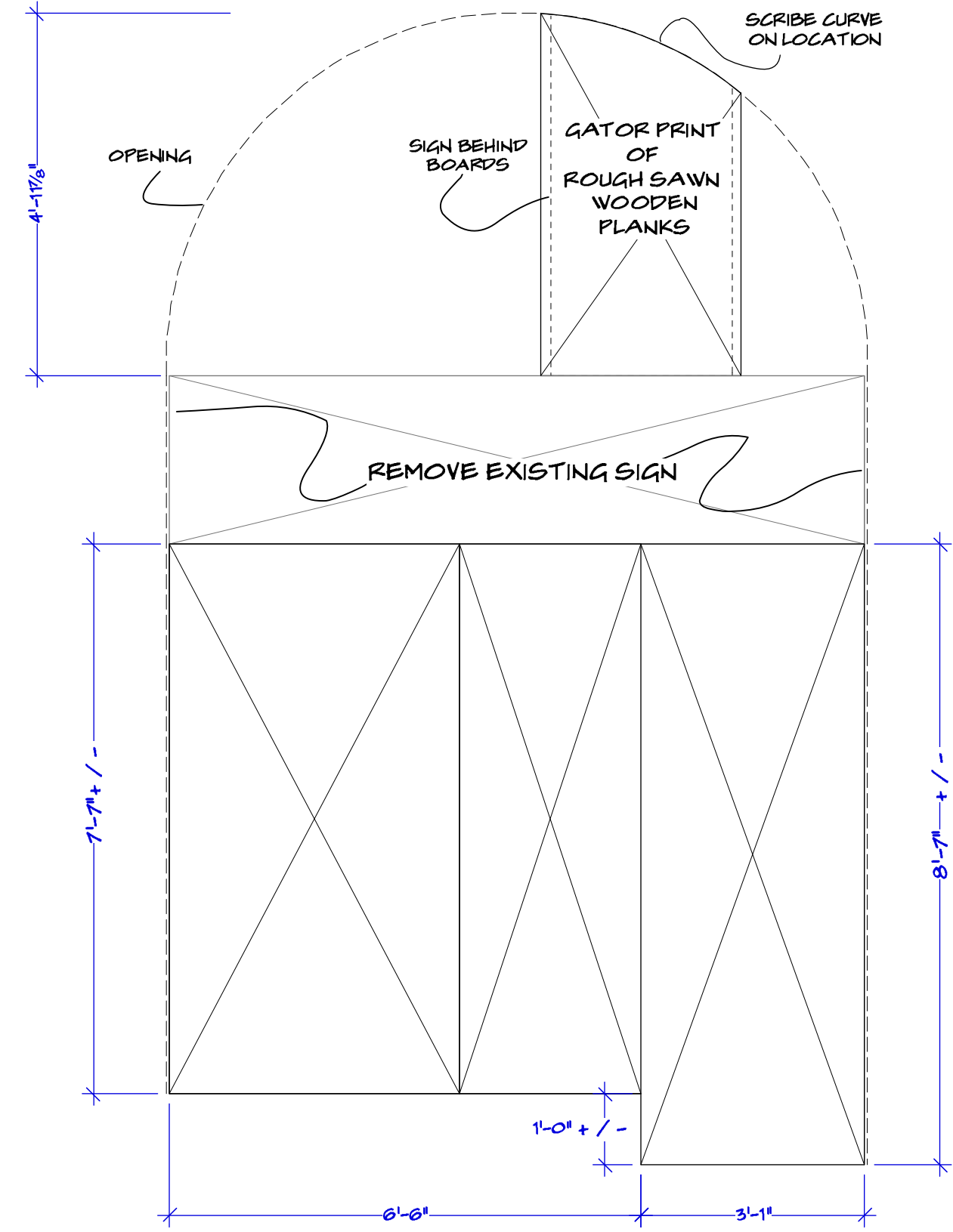
PLACEMENT REFERENCE



WP12 WINDOW PLUG WP12
SCALE: 1/2" = 1'-0"

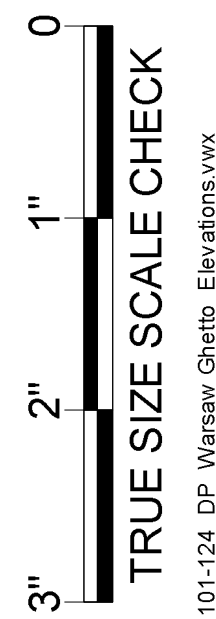


PLACEMENT REFERENCE



WP13 WINDOW PLUG 13
SCALE: 1/2" = 1'-0"

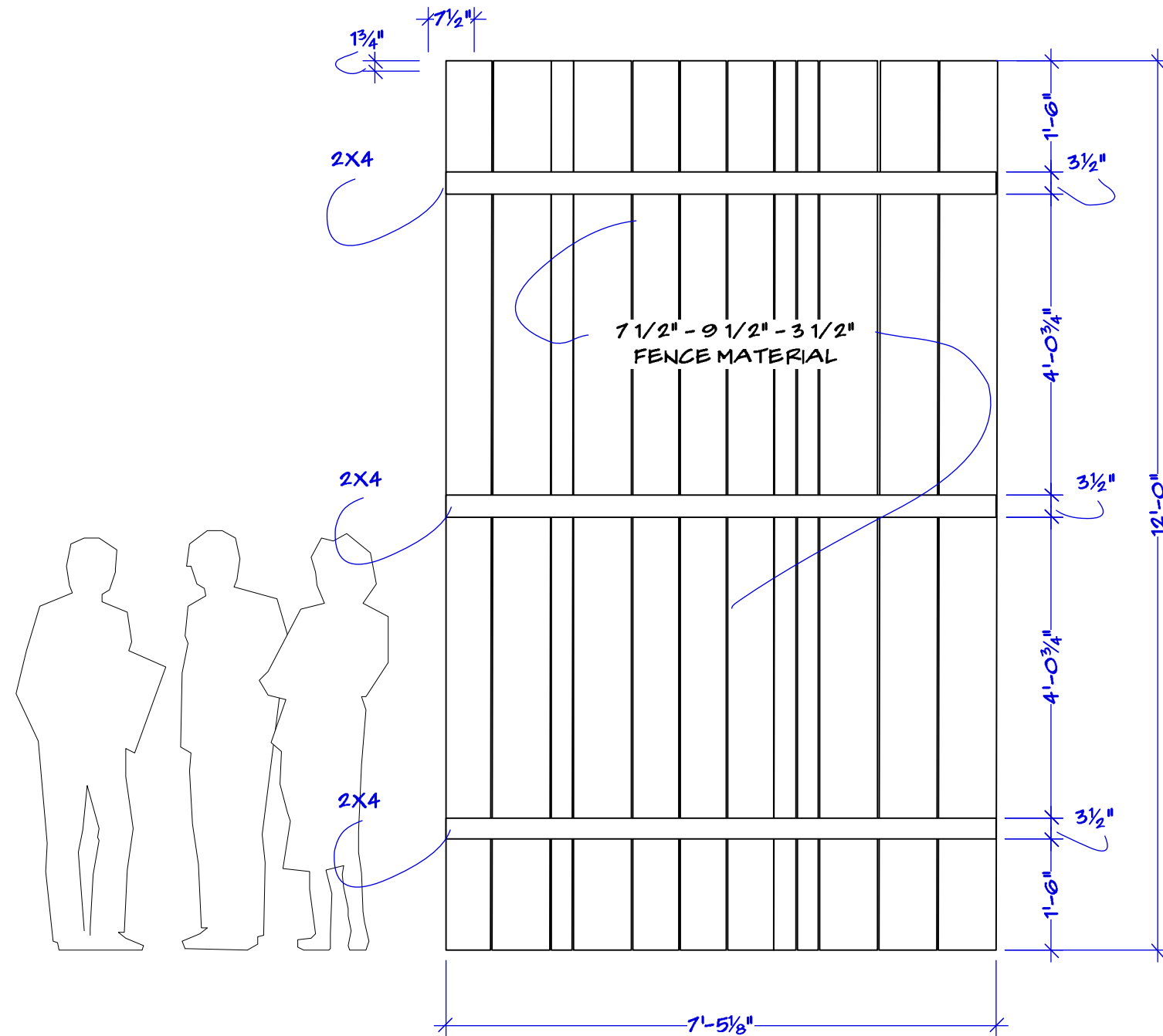
REVISED WP12 GLASS NOT PLEXI
REVISED 03/19/2019



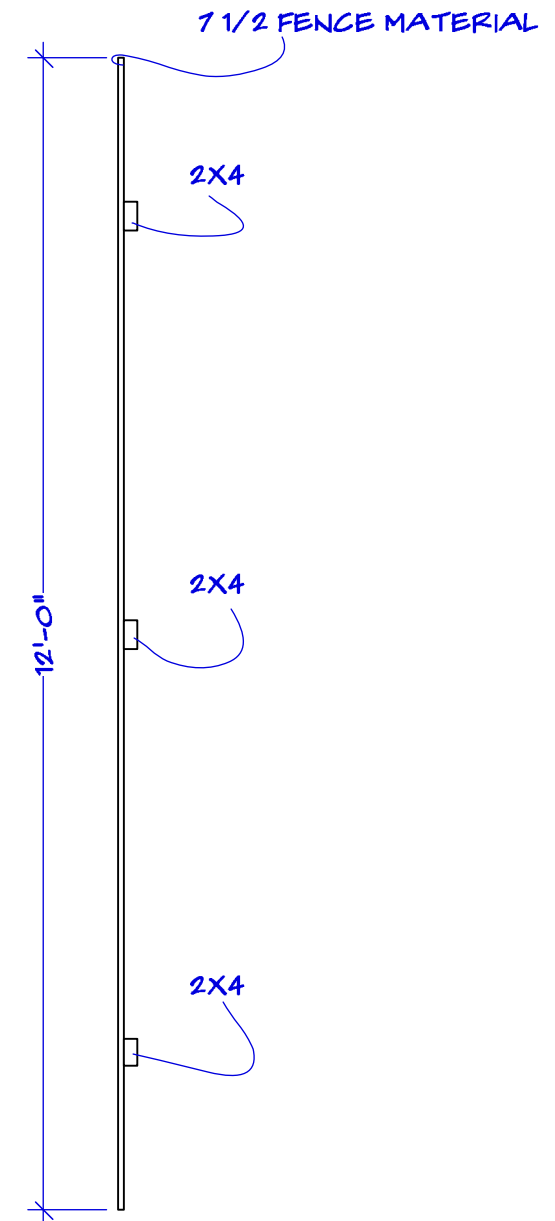
101-124_DP_Worsaw_Ghetto_Elevations.rvt



Episode: 101	Director: VARIOUS	Location: PATTERSON NJ
Set #: 124	Producer: JERRY KUPFER	Const. Coordinator: NILES HORTON
Scale: NOTED	UPM: BILL SELL	
	Address: STEINER STUDIO, 15 WASHINGTON AVE	
	Prod. Designer: CURT BEECH	
	Set Decorator: SUSAN MARSHAL	
	Art Director: MARCI MUDD	
	Line Producer: BILL SELL	
	Exec Producer: NIKKI TOSCANO	
	Set Name & Description: LODZ GHETTO ELEVATIONS WP11-WP13	
	Drawing Date: 3/19/2019	
	Shoot Date: 03/28/2018	
	Drawn by: --	
		Sheet No.: 124-05



○ STOCKADE FENCE MAKE 6
SCALE: 1/2" = 1'-0"



○ STOCKADE FENCE SIDE
SCALE: 1/2" = 1'-0"

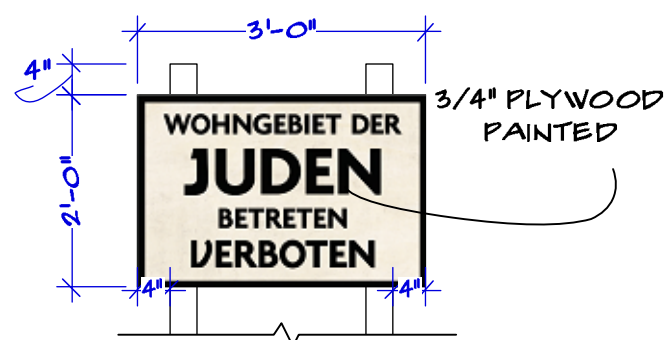
MAKE 6 FOR 40+ RUNNING FEET

	PROD. DESIGNER: CURT BEECH ART DIRECTOR: MARCI MUDD	DRAWING: STCKADE FENCE	SHOOT DATE: 03/29/2018	SET #: 124	DATE DRAWN: 3/19/2019	LODZ GHETTO
	DRAWING BY: --	LOCATION: PATTERSON NJ	SCALE: NOTED	SCENE #: 20	REVISED: XX/XX/2018	

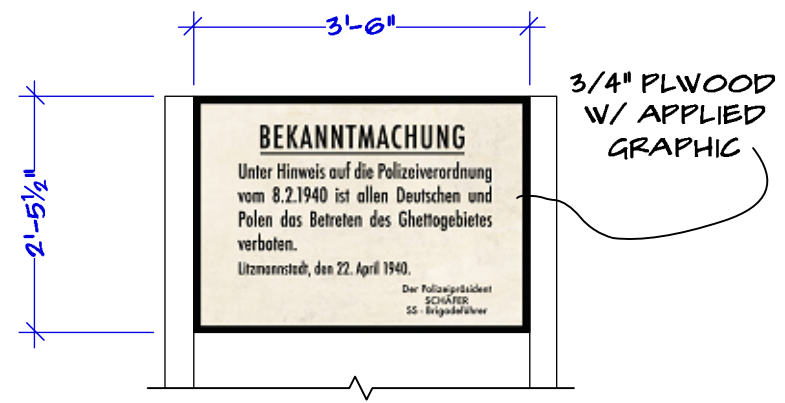
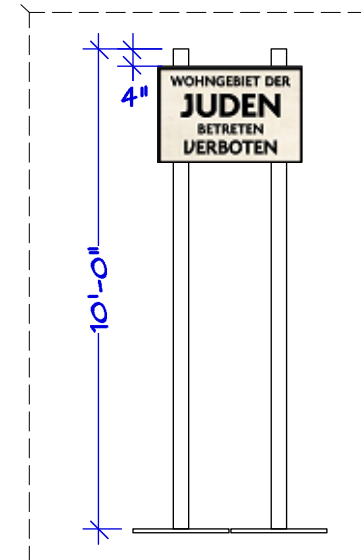


BLACK GATOR BOARD
W/ V GRAPHIC

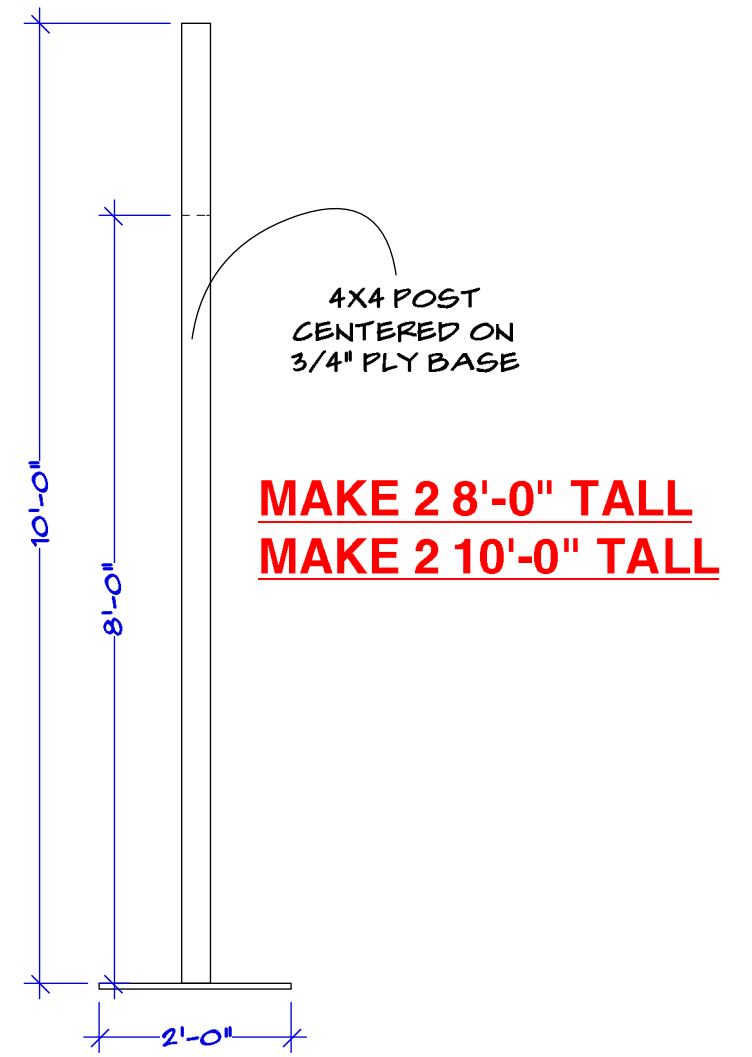
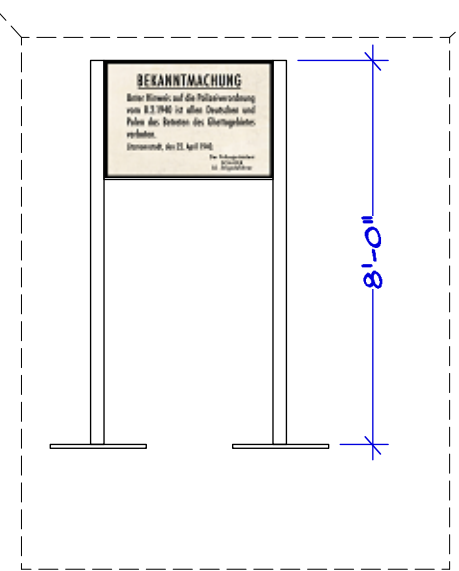
1 **KANTOR & ADERMAN**
SCALE: 1/4" = 1'-0"



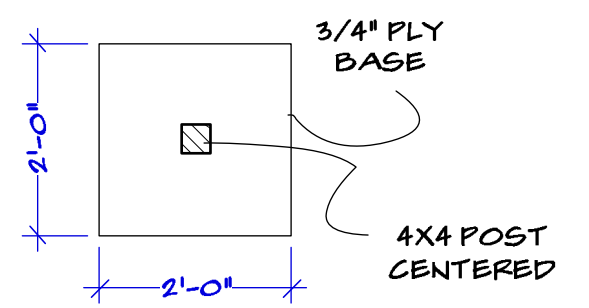
2 **WOHNGEBIET JUDEN SIGN**
SCALE: 1/2" = 1'-0"



3 **BEKANNTMACHUNG SIGN**
SCALE: 1/2" = 1'-0"



4 **SIGN POSTS**
SCALE: 1/2" = 1'-0"



MAKE 4 POSTS

	PROD. DESIGNER: CURT BEECH ART DIRECTOR: MARCI MUDD	DRAWING: SIGN BLANKS	SHOOT DATE: 03/29/2018	SET #: 124	DATE DRAWN: 3/22/2019	LODZ GHETTO
	DRAWING BY: --	LOCATION: PATTERSON NJ	SCALE: NOTED	SCENE #: 20	REVISED: XX/XX/2018	