

GRID:
 - BOTTOM OF BUILDING
 STEEL / LOWER TRUSS 16'-0"
 - BOTTOM OF TRACK 15'-6"
 - BOTTOM OF LOW I BEAM 15'-3"

TRAIN CAR GROUND PLAN
 Scale: 1/4" = 1'-0"

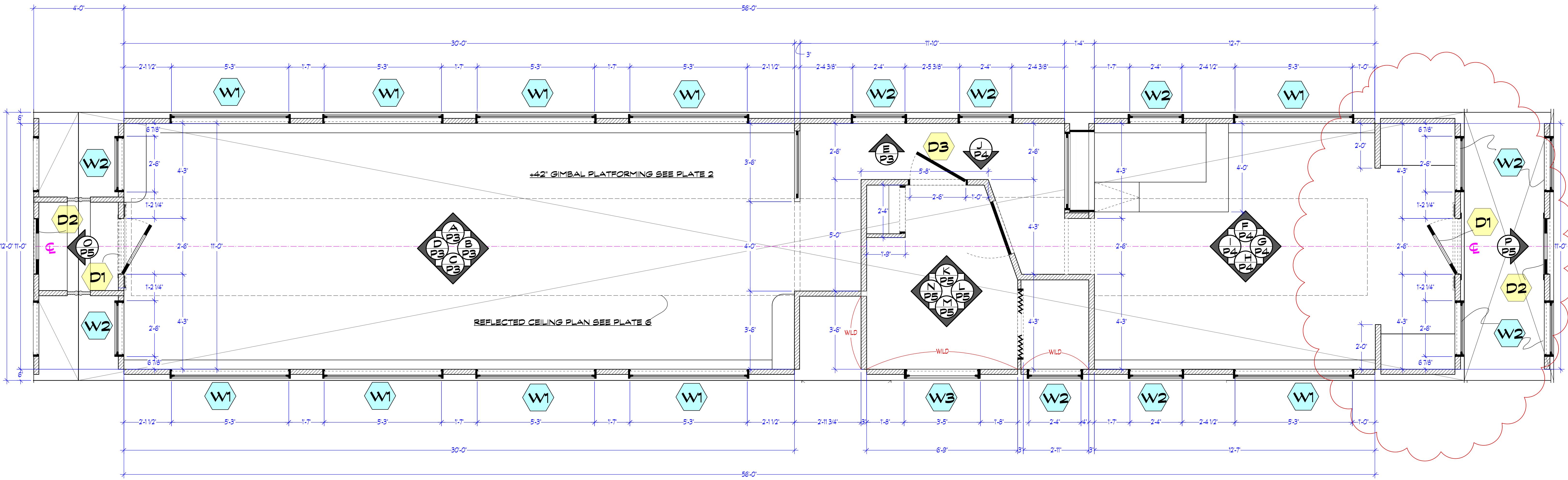
3" 2" 1" 0"
 TRUE SIZE SCALE CHECK

REVISED 01/16/2018

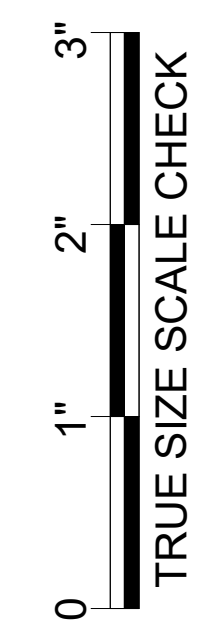
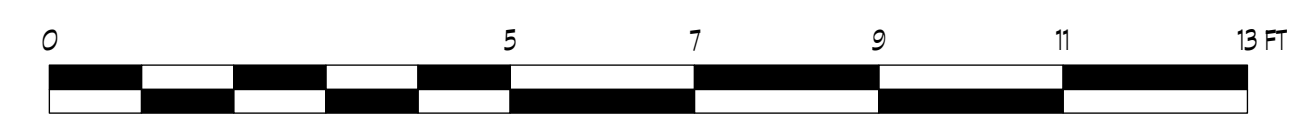
Exc. Producer: MICHAEL SEITZMAN Line Producer: MOE BARDACH ABC Studios Silvercup Studios 42-22 22nd St 3rd Floor South LIC, NY 11101 Prod. Designer: JEREMY CASSELLS		Exc. Producer: RUSSELL FINE UPM: RANDOL TAYLOR Art Director: NATALIE WEINMANN		Set Name & Description: QUANTICO S3 TRAIN		Episode: 307 Set #: 222 Scale: 1/4" = 1'-0"		Drawing Date: 01/08/18 Sheet Date:		Drawn by: MDF Sheet No:	
Set Decorator: SARAH DENNIS				Director:				Location: SILVERCUP STAGE NINE			



NOTE: WINDOWS CONFIRMED - JAMB DETAIL UPDATED
 VESTIBULE FINISHED
RE-REVISED 01/17/2018

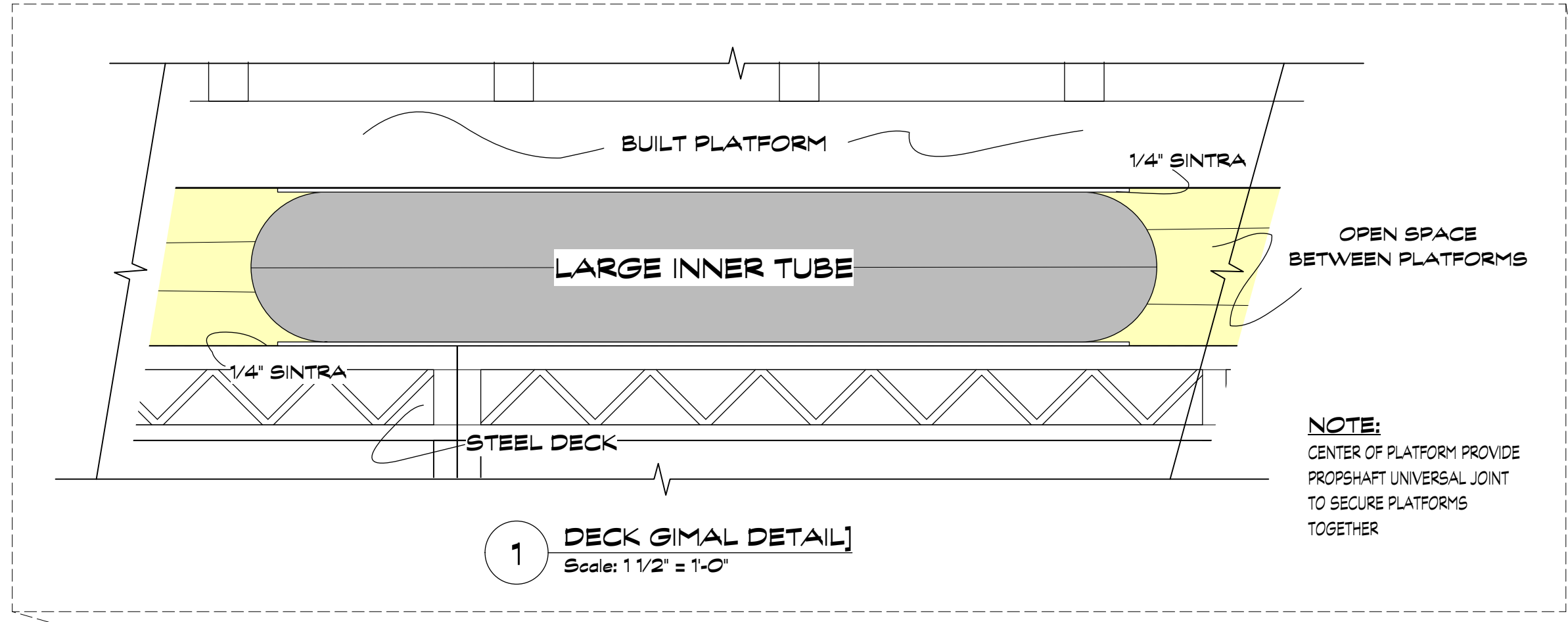


TRAIN CAR TECHNICAL PLAN
 Scale: 1:25



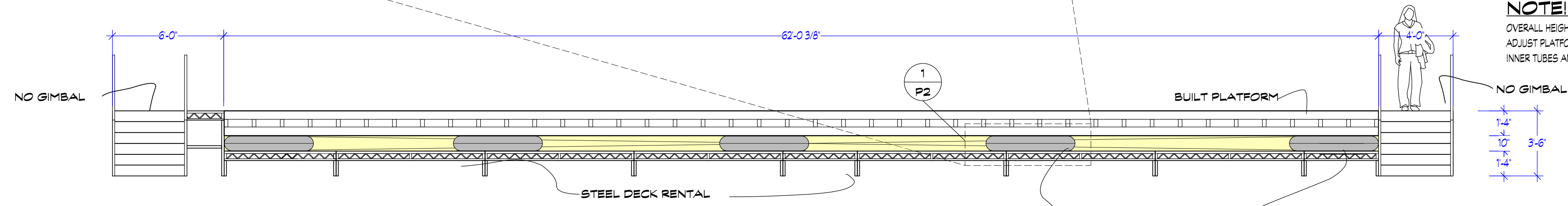
TRUE SIZE SCALE CHECK

quantico <small>season three</small>	Exc. Producer: MICHAEL SEITZMAN Line Producer: MOE BARDACH ABC Studios Silvercup Studios 42-22 22nd St 3rd Floor South LIC, NY 11101 Prod. Designer: JEREMY CASSELLS	Exc. Producer: RUSSELL FINE UPM: RANDOL TAYLOR Art Director: NATALIE WEINMANN Const. Coordinator: BRENT HAYWOOD	Set Name & Description: QUANTICO S3 TRAIN - TECHNICAL PLAN	Episode: 307 Set #: 222 Scale: 1:25	Drawing Date: 01/15/18 Sheet Date:	Drawn by: MDF Sheet No.: 1A
	Director: ROB BOWMAN Location: SILVERCUP STAGE NINE					



1 DECK GIMAL DETAIL
Scale: 1/2" = 1'-0"

NOTE:
CENTER OF PLATFORM PROVIDE
PROPSHAFT UNIVERSAL JOINT
TO SECURE PLATFORMS
TOGETHER

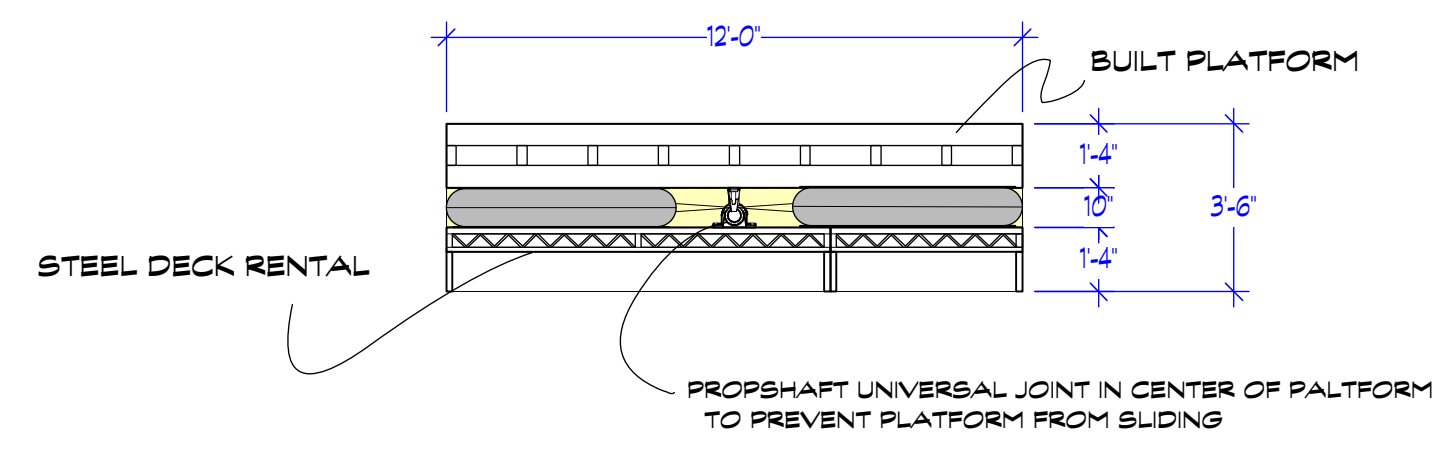


A GIMBALED PLATFORM FRONT VIEW
Scale: 1/4" = 1'-0"

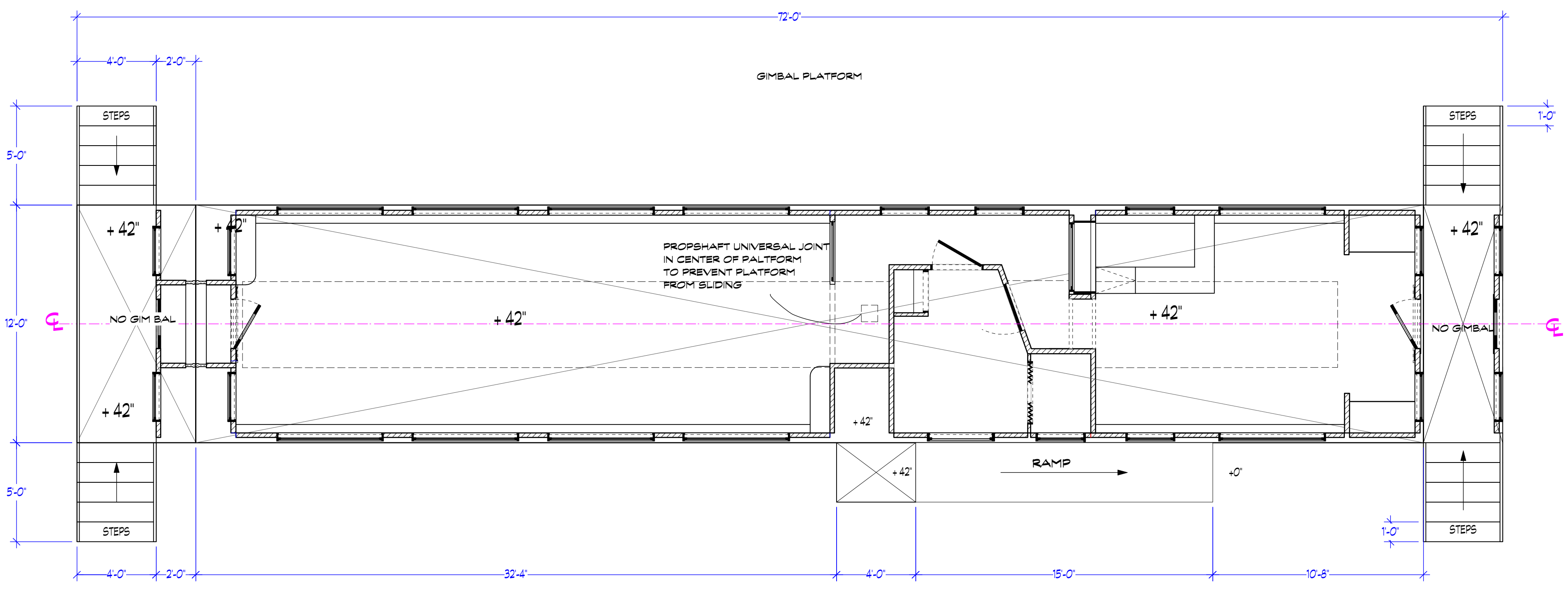
GIMBAL EFFECT:

- LRG INNER TUBES SANDWICHED BETWEEN 1/4" SINTRA TO PREVENT PUNCTURES
- TIRE AMOUNT, TYPE, AND SPACING TBD BY SPFX
- PROPSHAFT UNIVERSAL JOINT IN CENTER OF PLATFORM TO PREVENT PLATFORM FROM SLIDING

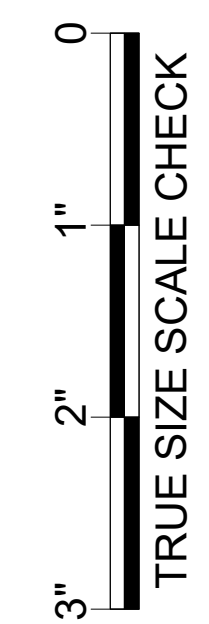
NOTE!!
OVERALL HEIGHT OF PLATFORM IS 3'-6"
ADJUST PLATFORMS AS NEED TO ACCOMMODATE
INNER TUBES AND PROPSHAFT UNIVERSAL JOINT



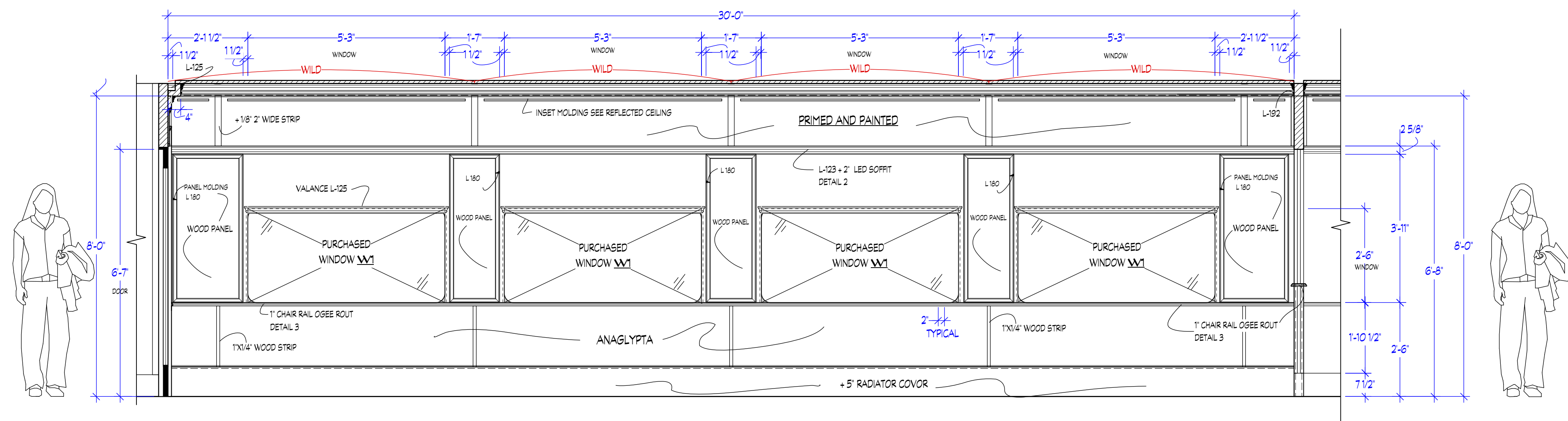
B GIMBALED PLATFORM SIDE
Scale: 1/4" = 1'-0"



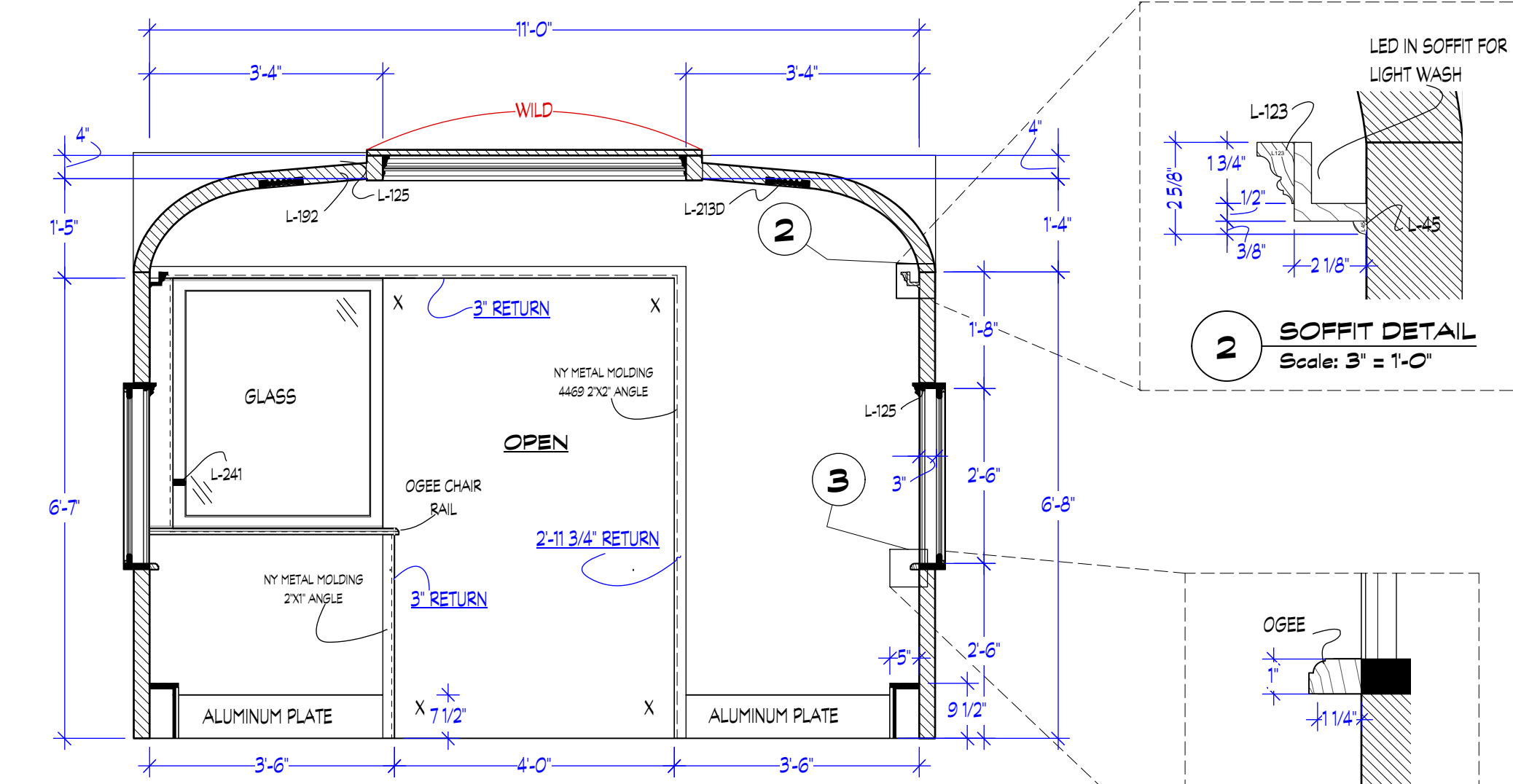
GIMBALED TRAIN PLATFORM
Scale: 1/4" = 1'-0"



Episode: 307	Drawn by: MDF
Set #: 222	Sheet No: 2
Scale: 1/4" = 1'-0"	
Set Name & Description: QUANTICO S3 TRAIN - PLATFORM ELEVATION	
Director: NATALIE WEINMANN	
Location: SILVERCUP STAGE NINE	
Exc. Producer: MICHAEL SEITZMAN	Exc. Producer: RUSSELL FINE
Line Producer: MOE BARDACH	UPM: RANDOL TAYLOR
Prod. Designer: JEREMY CASSELLS	ABC Studios Silvercup Studios 42-22 22nd St 3rd Floor South LIC, NY 11101
Set Decorator: SARAH DENNIS	Art Director: NATALIE WEINMANN
	Const. Coordinator: BRENT HAYWOOD



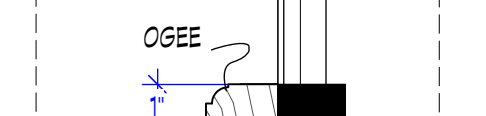
A TRAIN CLUB CABIN WALL A ELEVATION
Scale: 1/2" = 1'-0"



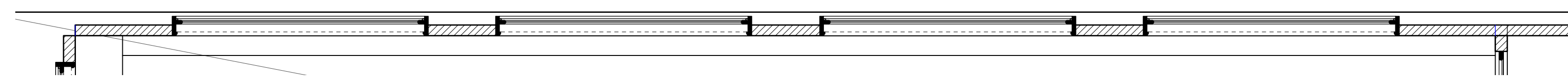
B TRAIN CLUB CABIN WALL B ELEVATION
Scale: 1/2" = 1'-0"



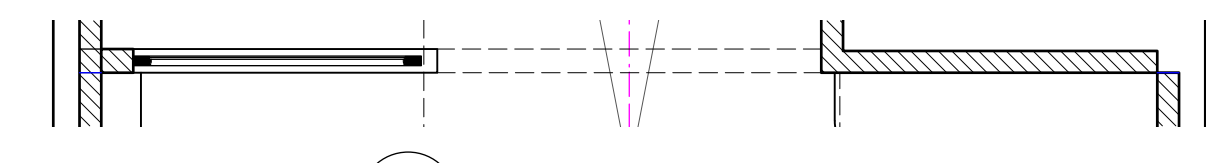
2 SOFFIT DETAIL
Scale: 3" = 1'-0"



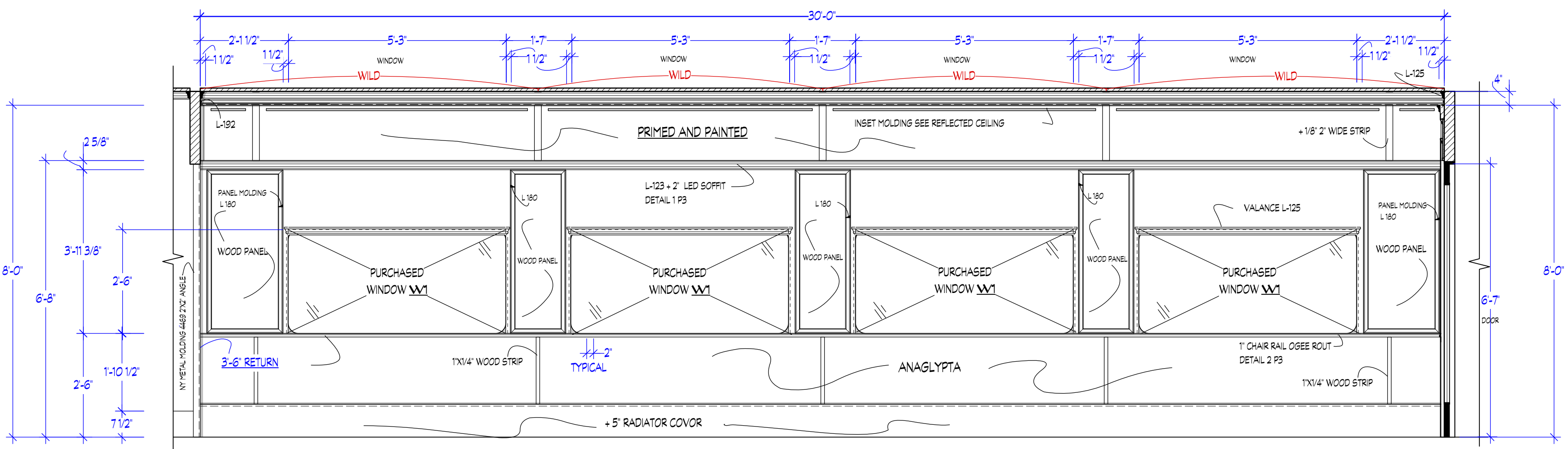
3 CHAIR RAIL
Scale: 3" = 1'-0"



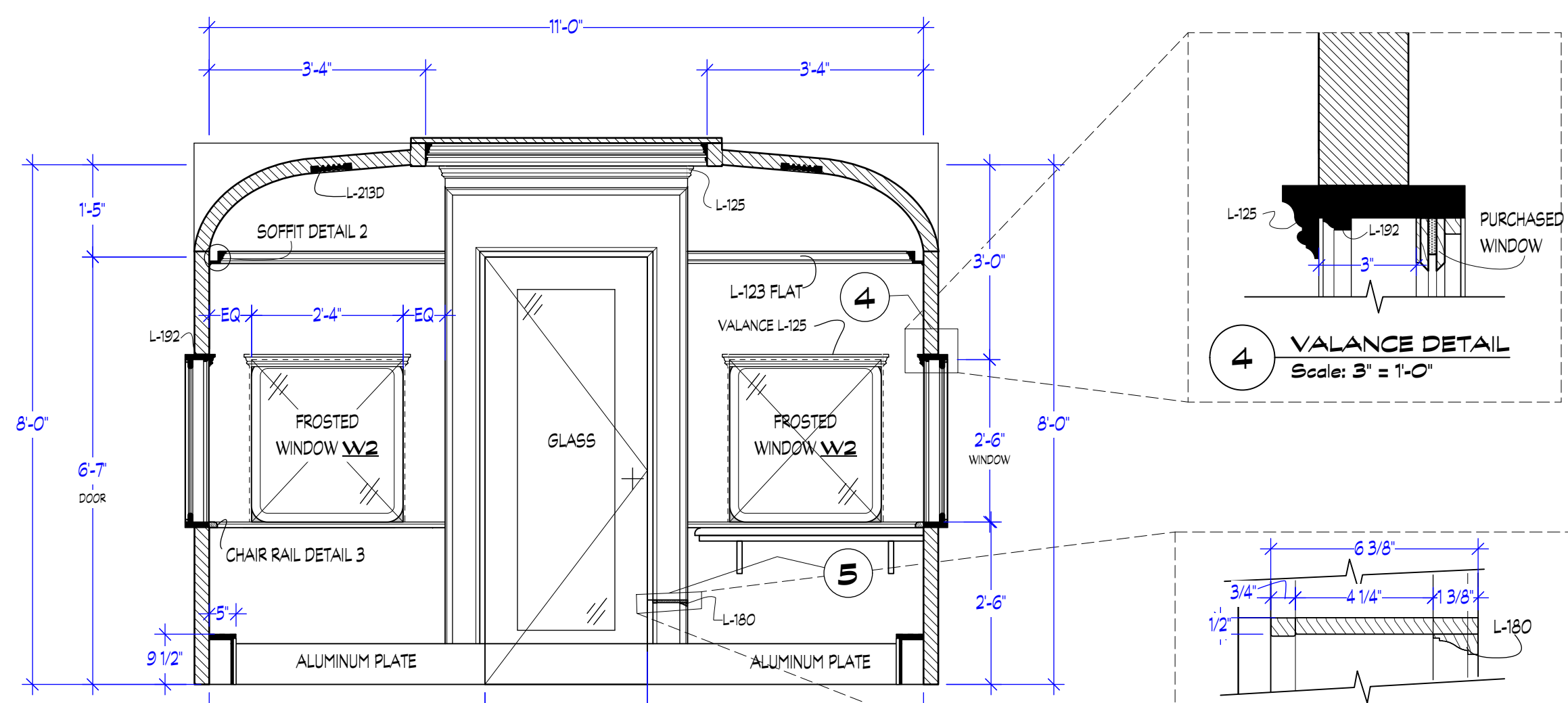
PLAN ELEVATION A
Scale: 1/2" = 1'-0"



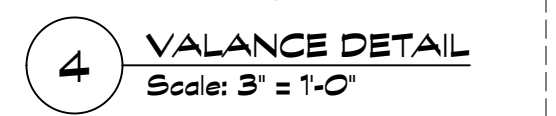
PLAN ELEVATION B
Scale: 1/2" = 1'-0"



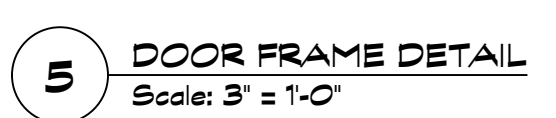
C TRAIN CLUB CABIN WALL C ELEVATION
Scale: 1/2" = 1'-0"



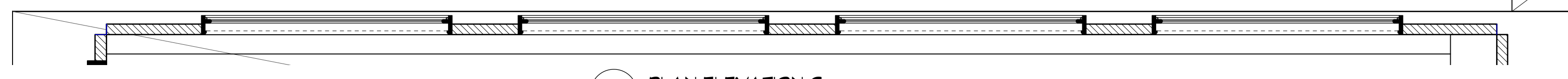
D TRAIN CLUB CABIN WALL D ELEVATION
Scale: 1/2" = 1'-0"



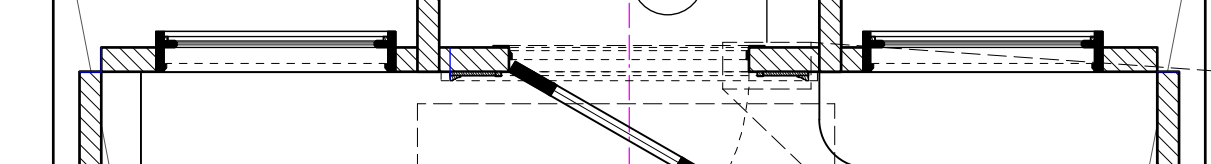
4 VALANCE DETAIL
Scale: 3" = 1'-0"



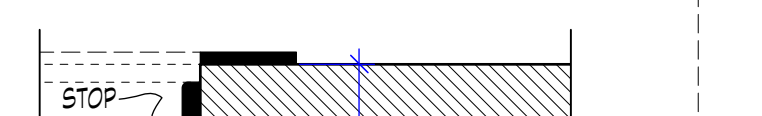
5 DOOR FRAME DETAIL
Scale: 3" = 1'-0"



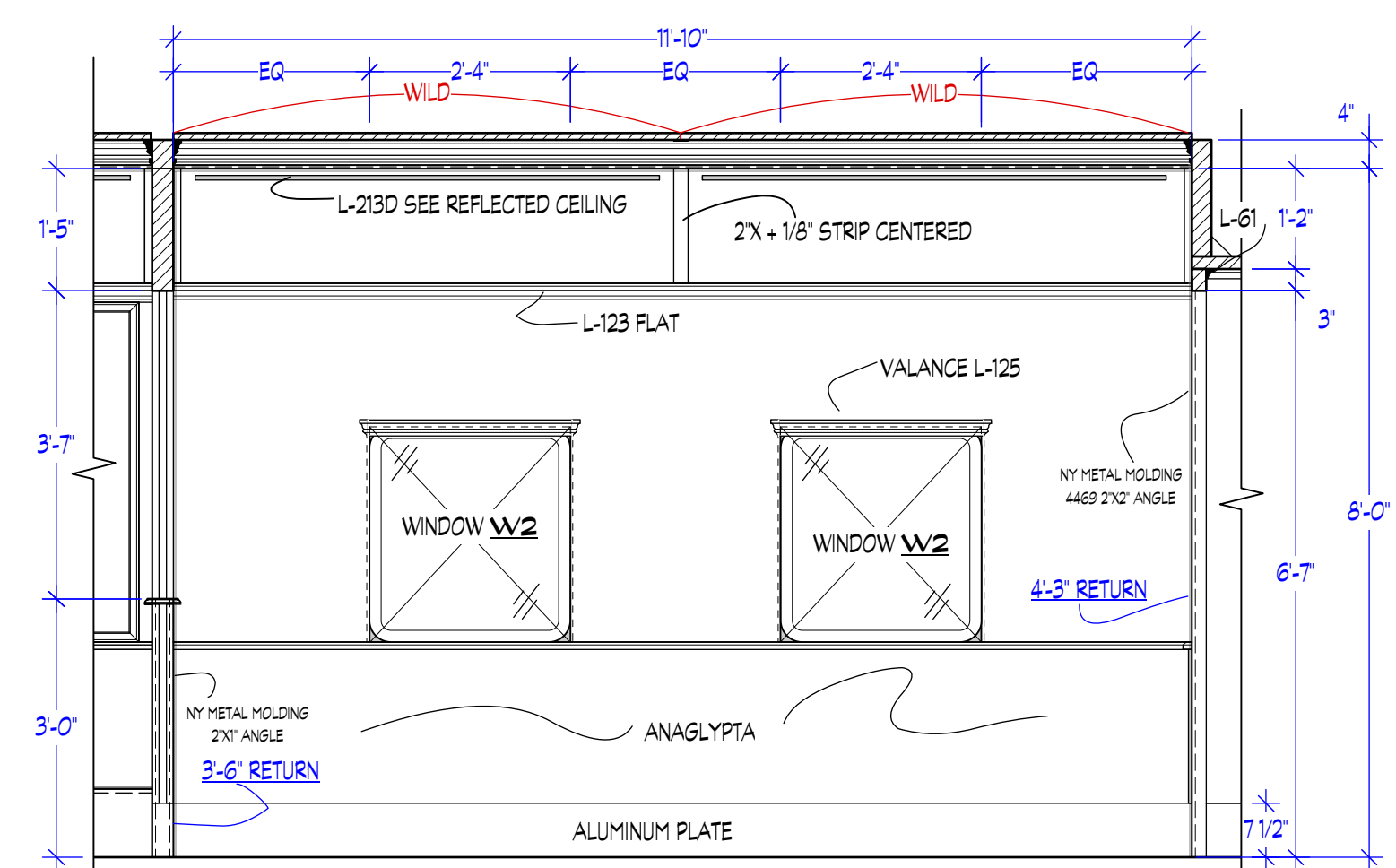
PLAN ELEVATION C
Scale: 1/2" = 1'-0"



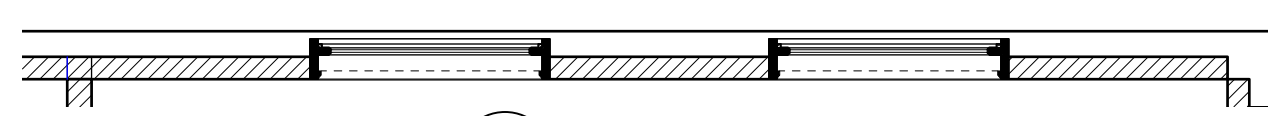
PLAN ELEVATION D
Scale: 1/2" = 1'-0"



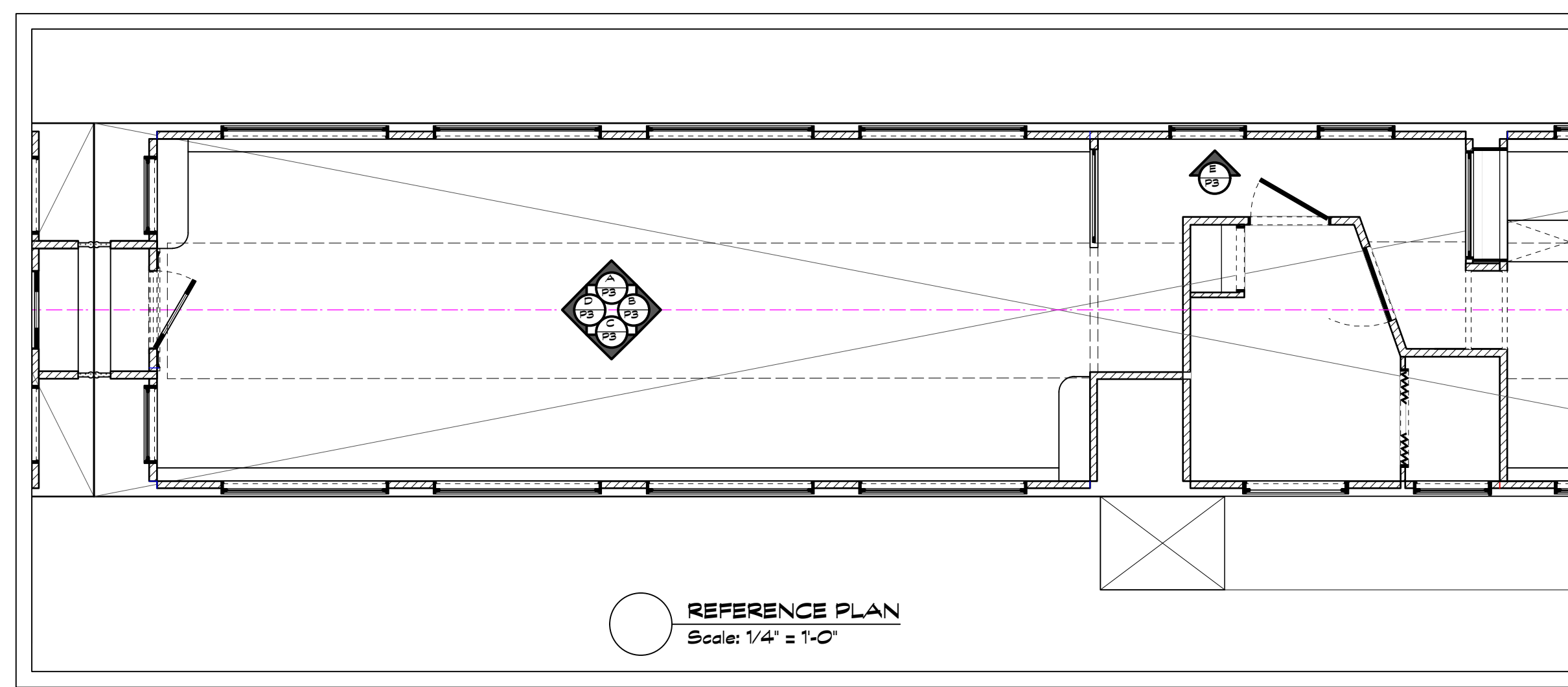
6 DOOR JAMB DETAIL
Scale: 3" = 1'-0"



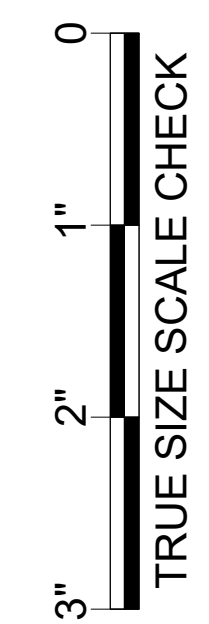
E HALLWAY WINDOWS ELEVATION E
Scale: 1/2" = 1'-0"



PLAN ELEVATION E
Scale: 1/2" = 1'-0"



REFERENCE PLAN
Scale: 1/4" = 1'-0"



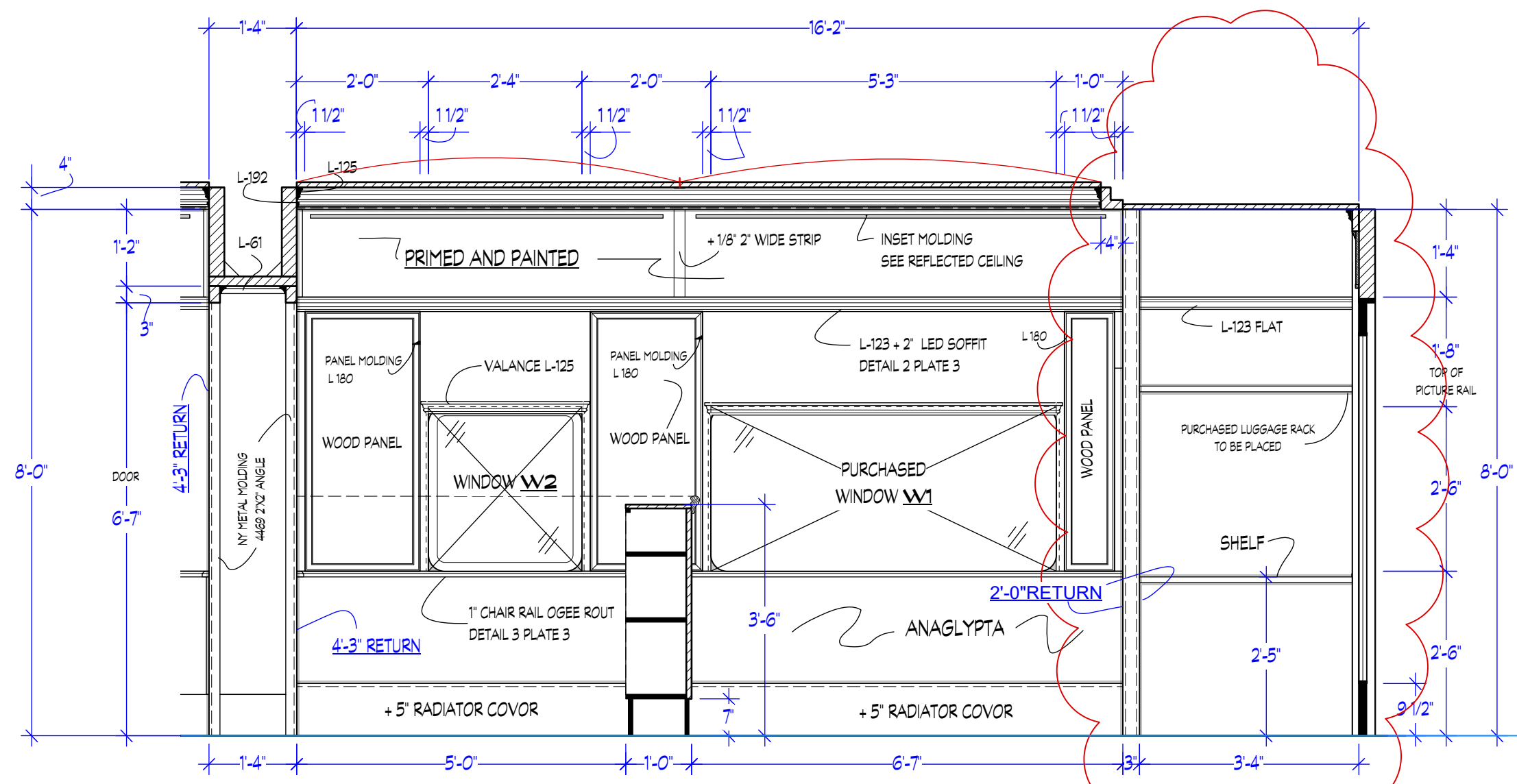
TRUE SIZE SCALE CHECK

NOTE: WINDOWS CONFIRMED. JAMB DETAIL UPDATED VESTIBULE FINISHED

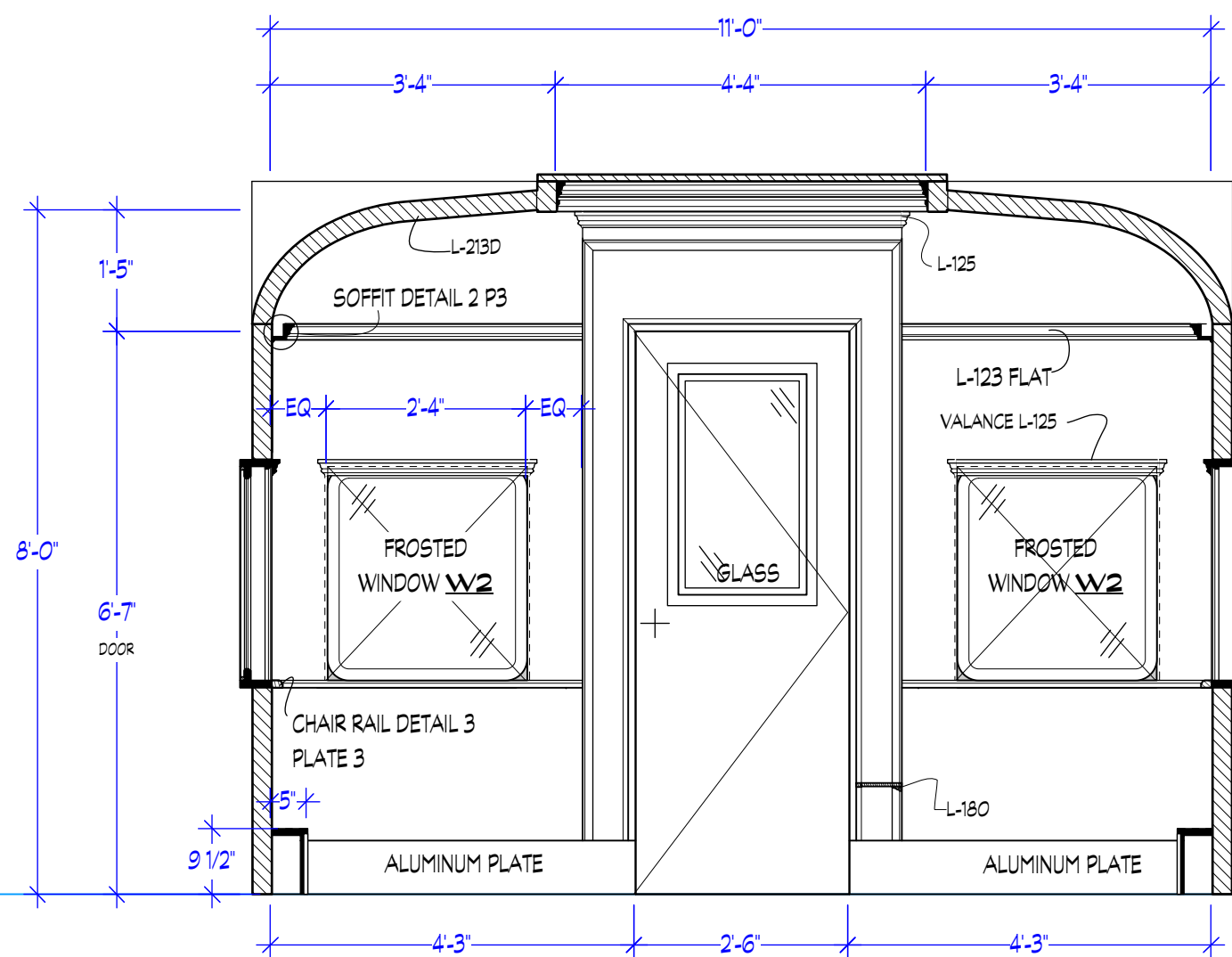
REVISED 01/17/2018

Episode: 307	Drawn By: MDF
Set # 222	Sheet No: 3
Director: ROB BOWMAN	
Location: SILVERCUP STAGE NINE	
Set Name & Description: QUANTICO S3 TRAIN - WALL ELEVATION 1	
Exc. Producer: MICHAEL SEITZMAN	Exc. Producer: RUSSELL FINE
Line Producer: MOE BARDACH	Line Producer: RANDOL TAYLOR
Prod. Designer: JEREMY CASSELLS	Art Director: NATALIE WEINMANN
Set Decorator: SARAH DENNIS	Const. Coordinator: BRENT HAYWOOD

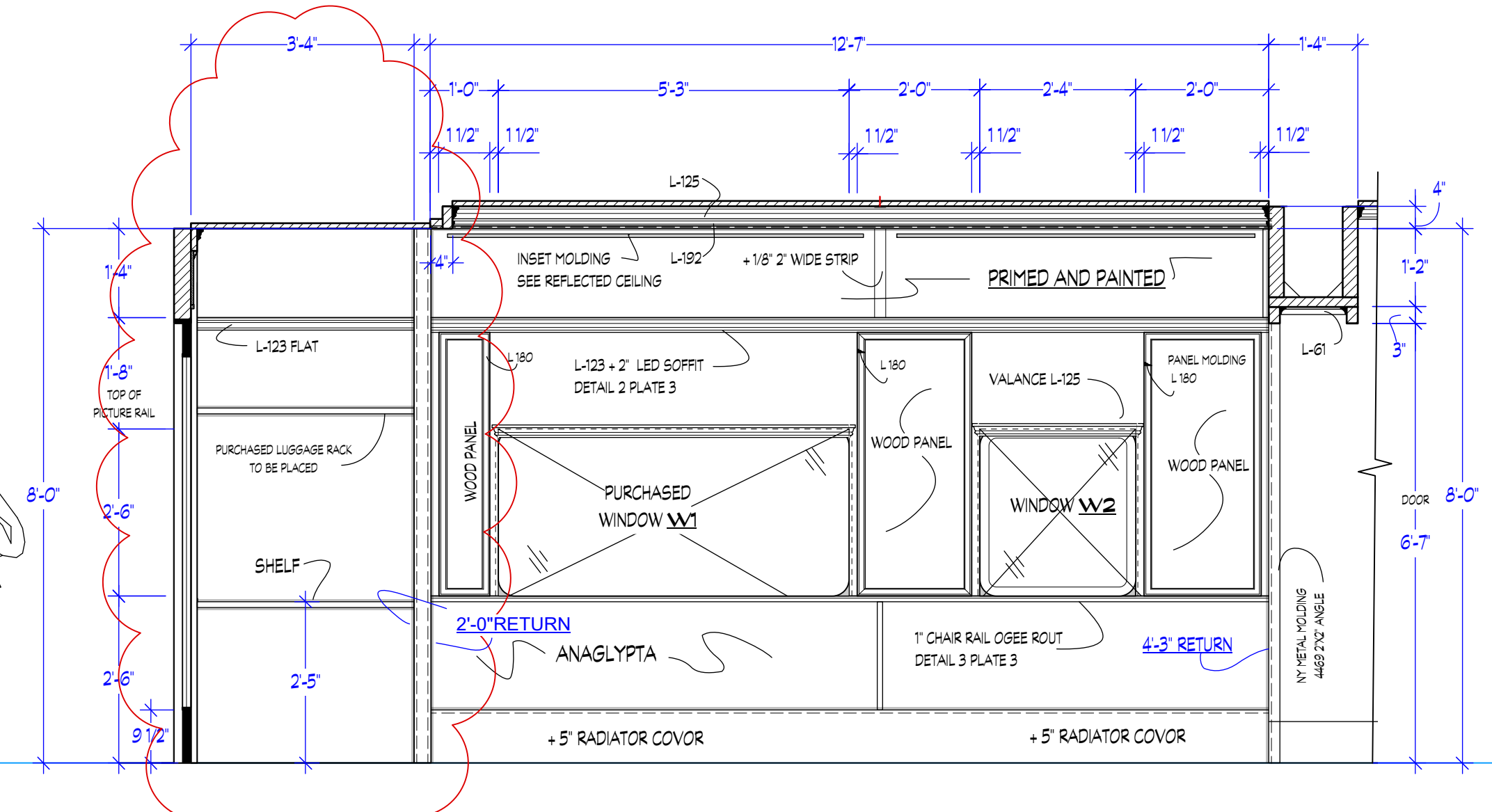
quantico
season three



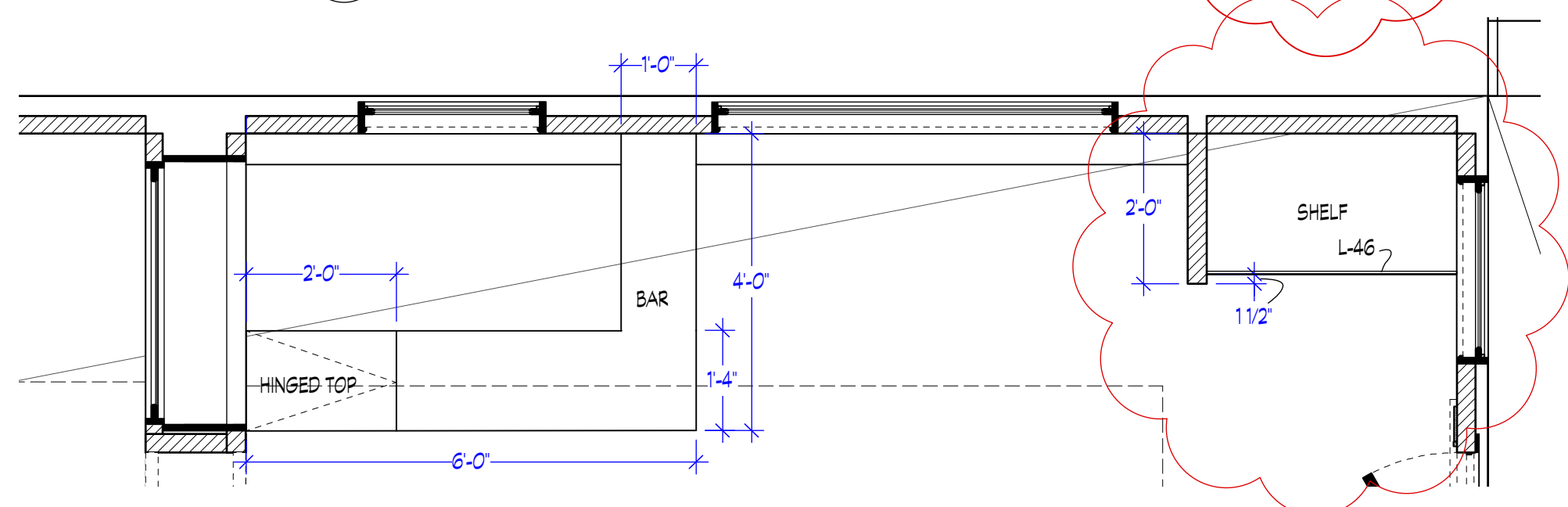
F TRAIN SEATING CABIN WALL F ELEVATION
Scale: 1/2" = 1'-0"



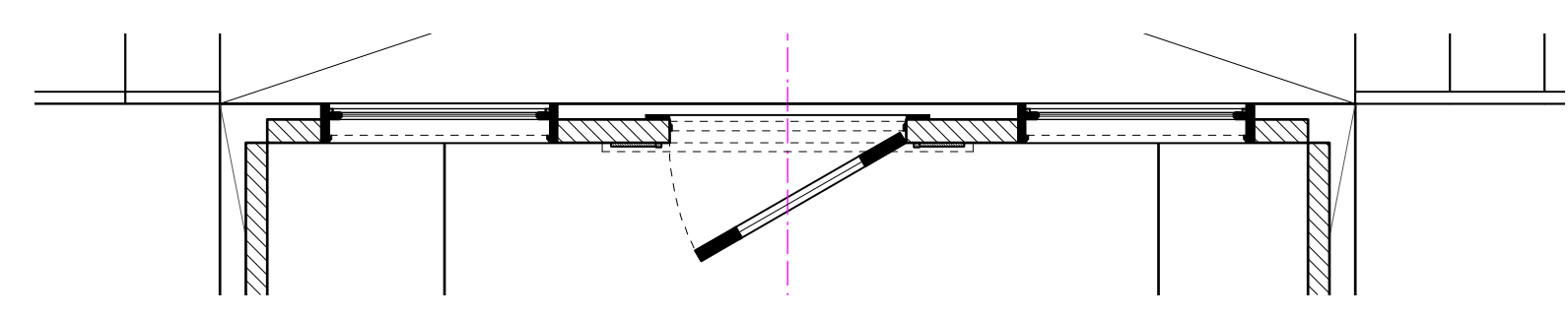
G TRAIN CLUB CABIN WALL G ELEVATION
Scale: 1/2" = 1'-0"



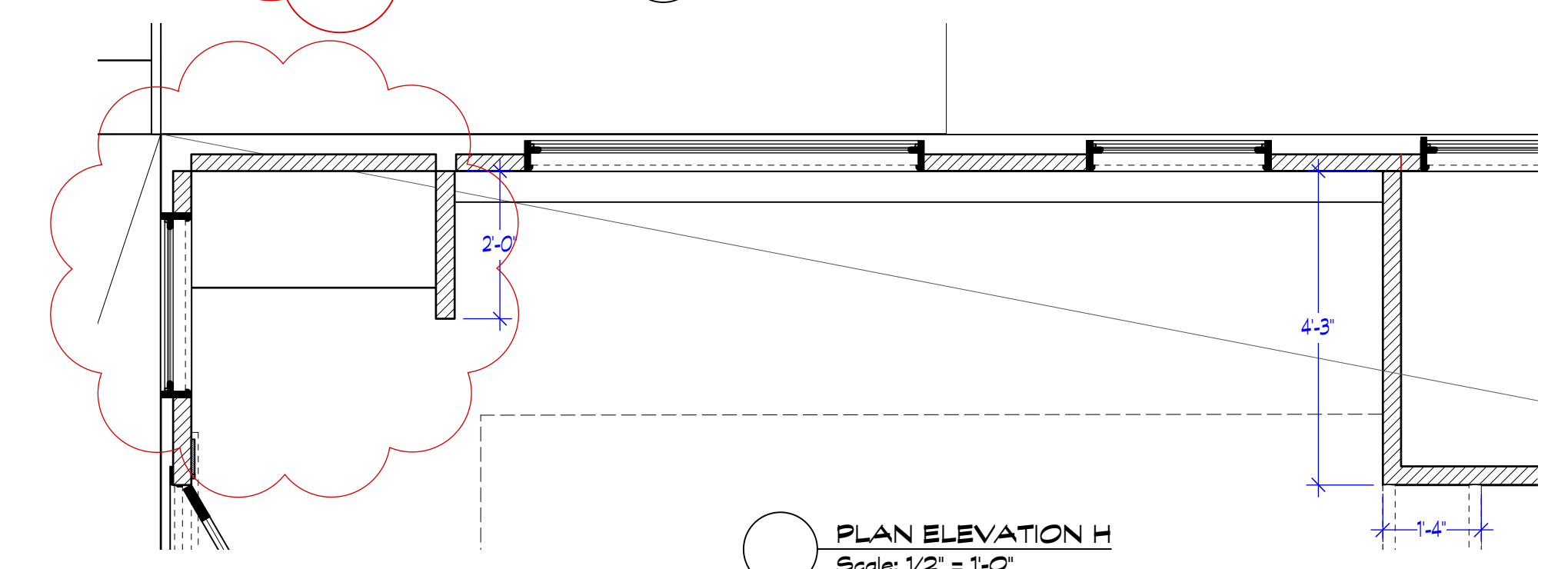
H TRAIN SEATING CABIN WALL H ELEVATION
Scale: 1/2" = 1'-0"



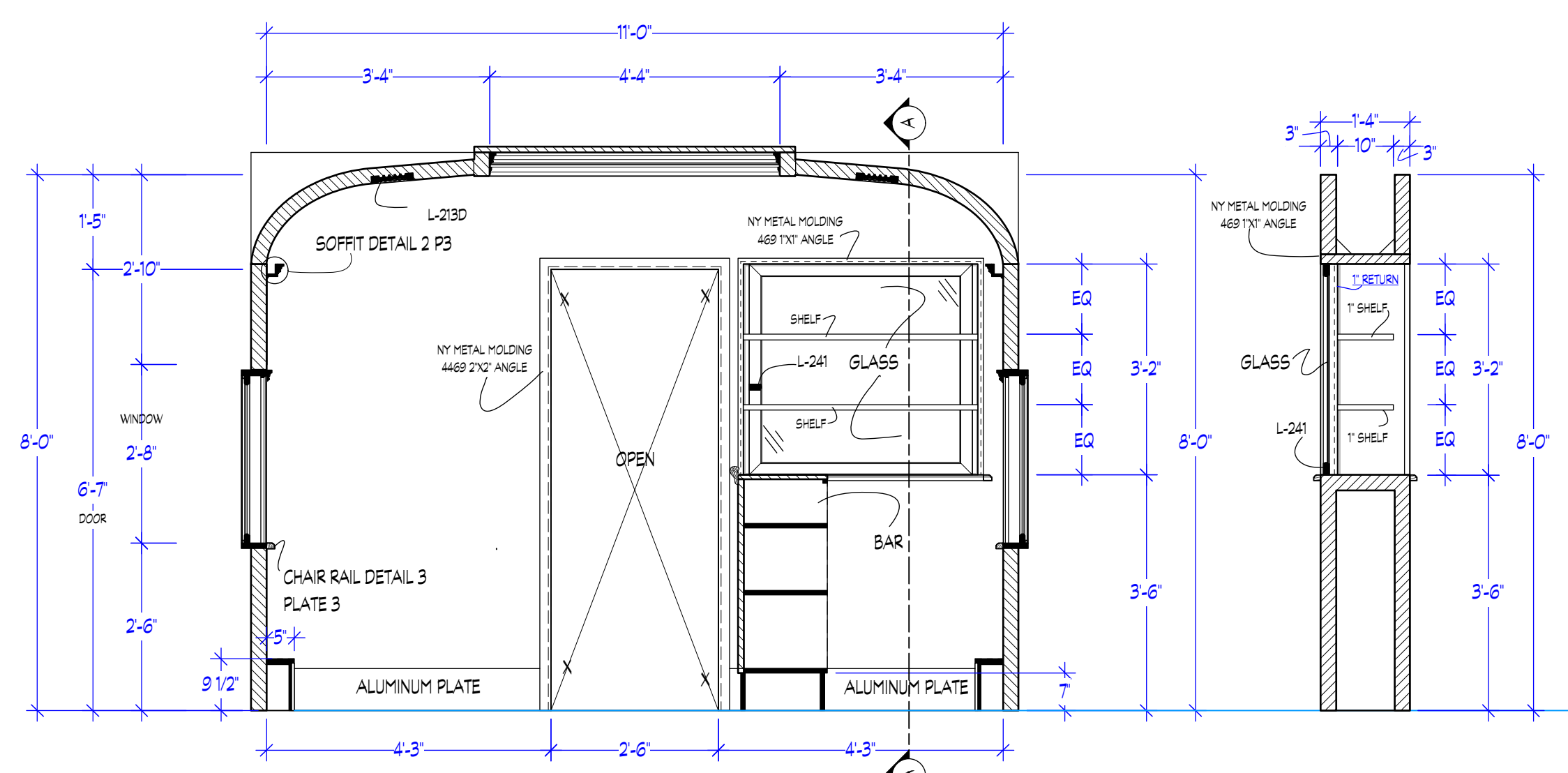
PLAN ELEVATION F
Scale: 1/2" = 1'-0"



PLAN ELEVATION G
Scale: 1/2" = 1'-0"



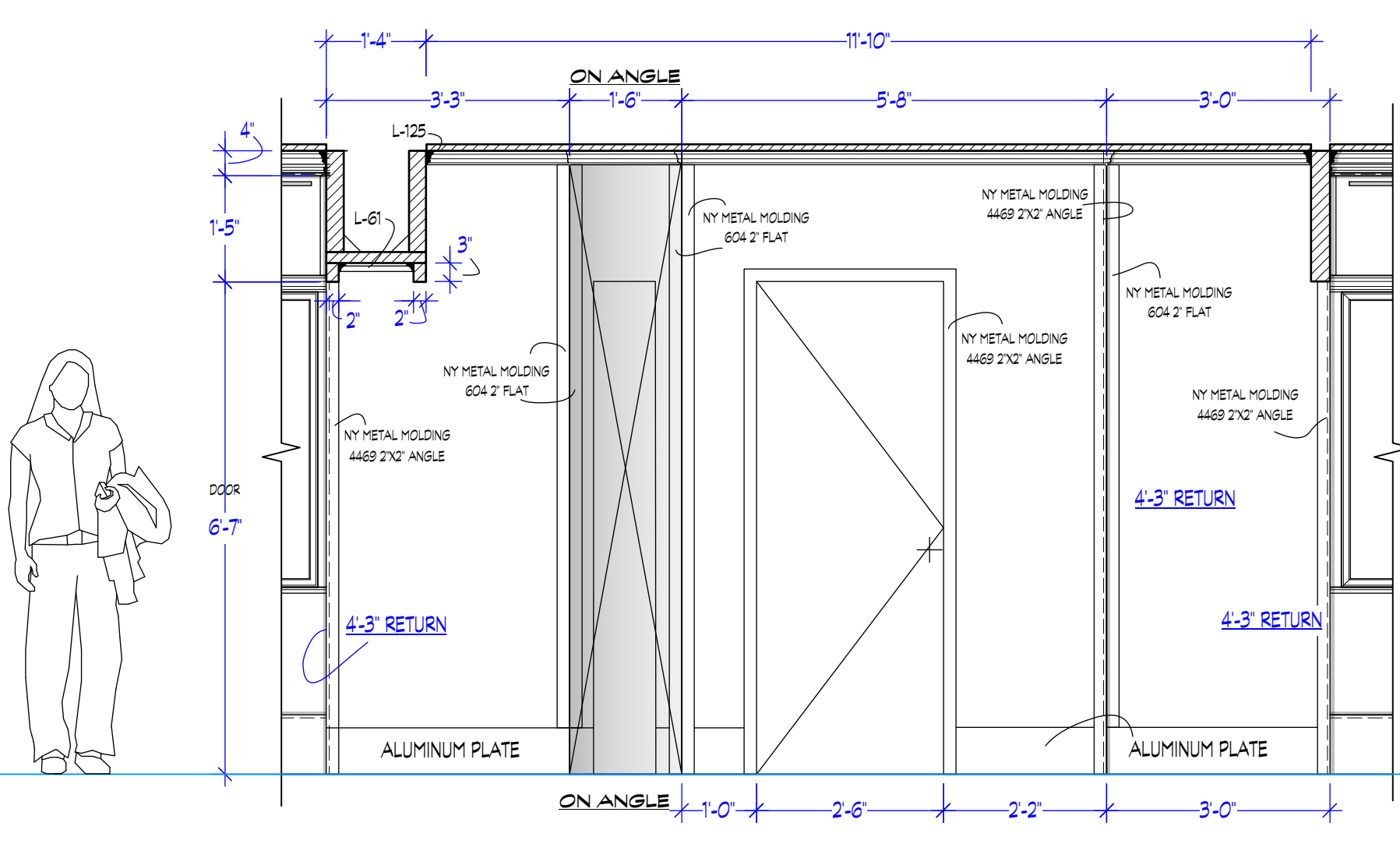
PLAN ELEVATION H
Scale: 1/2" = 1'-0"



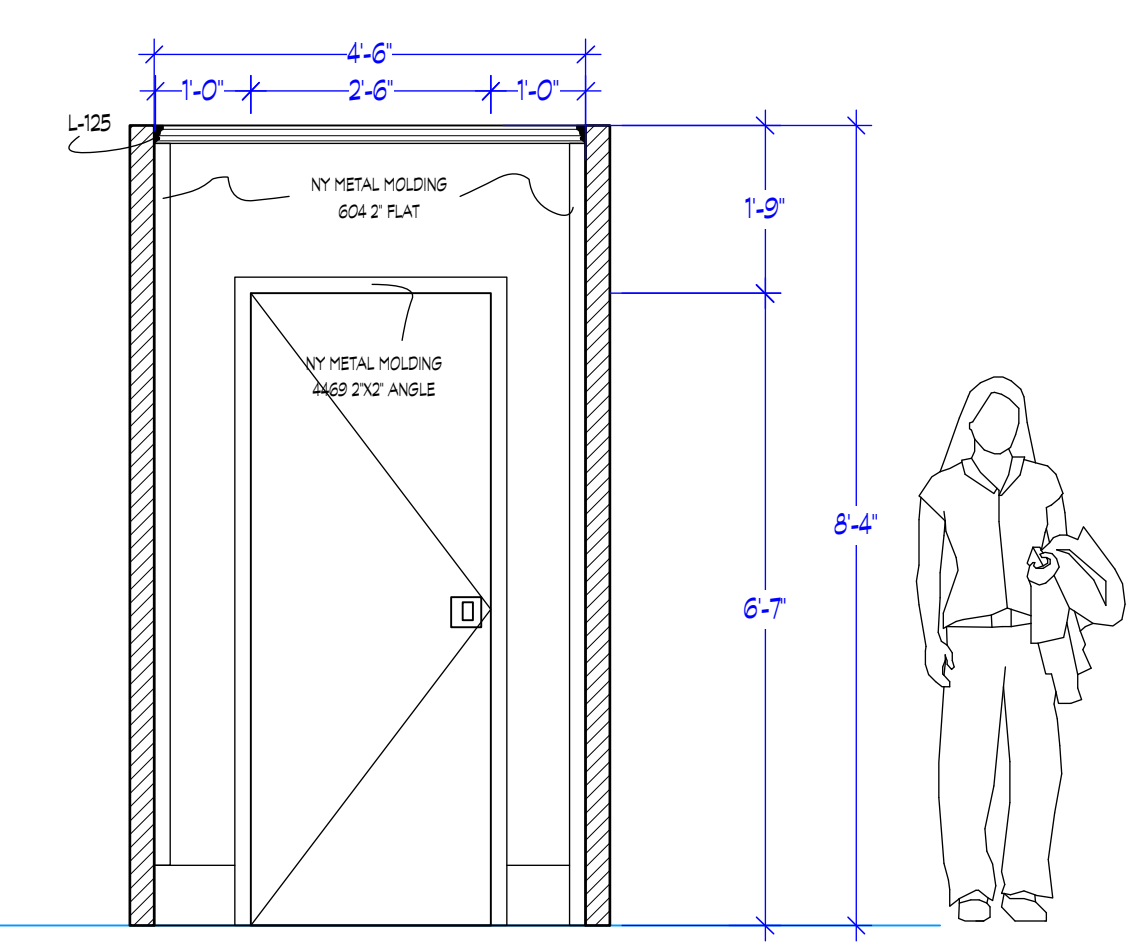
I TRAIN CLUB CABIN WALL I ELEVATION
Scale: 1/2" = 1'-0"



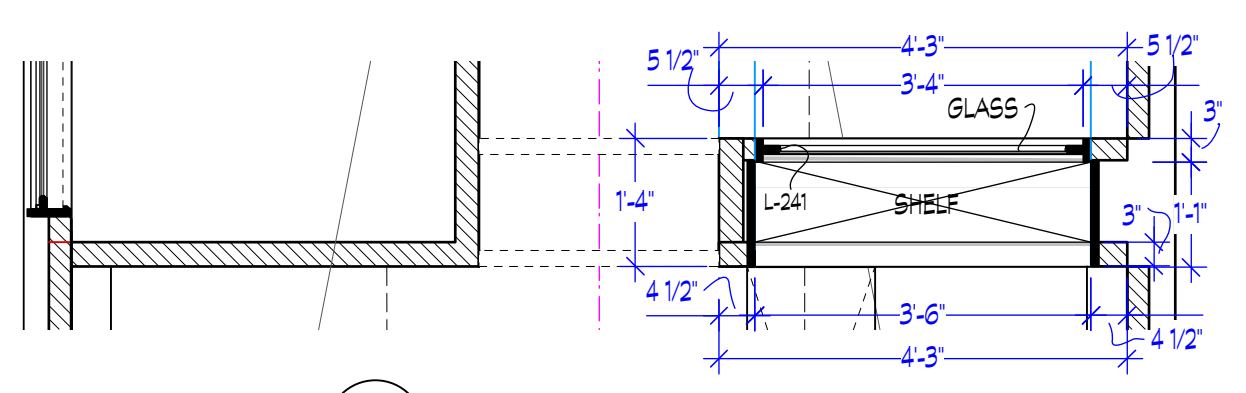
A-A SECTION A-A
Scale: 1/2" = 1'-0"



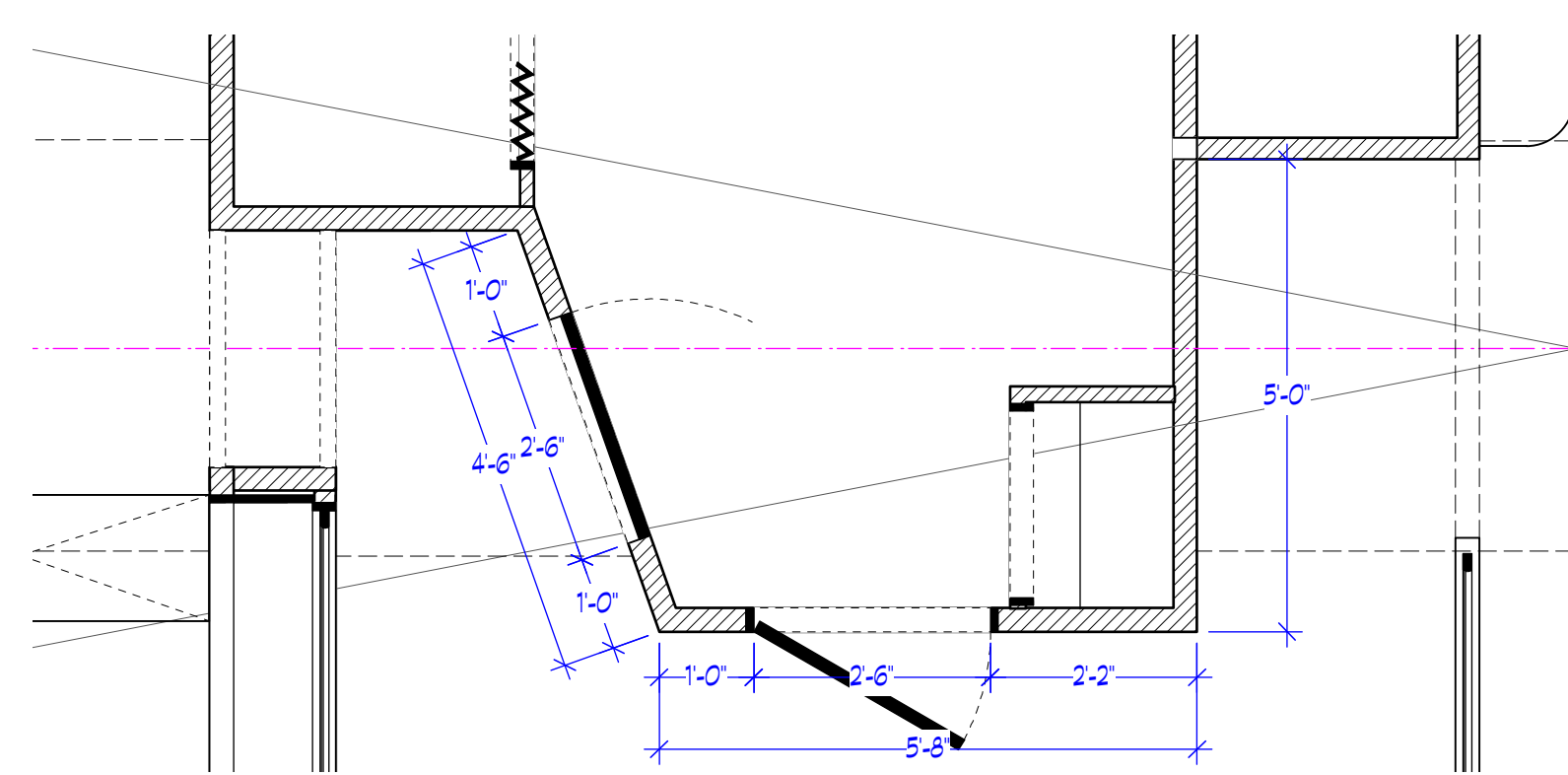
J TRAIN HALLWAY WALL J ELEVATION
Scale: 1/2" = 1'-0"



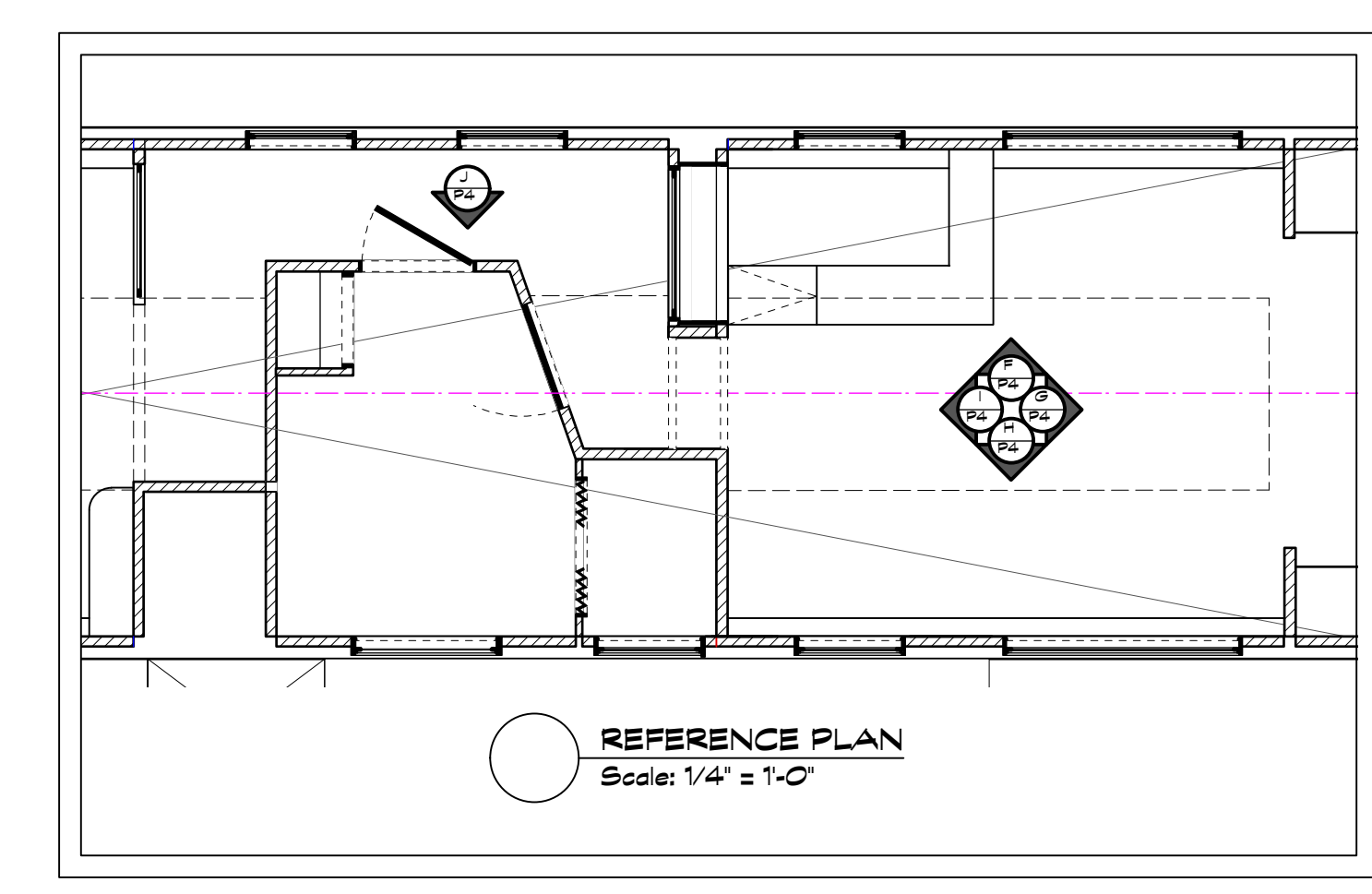
HALL DOOR FLAT VIEW
Scale: 1/2" = 1'-0"



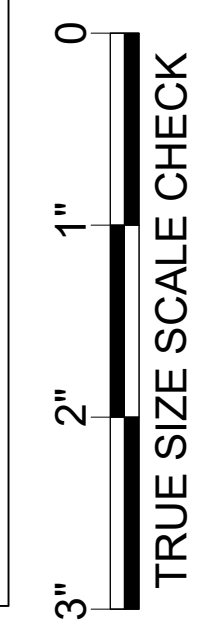
PLAN ELEVATION I
Scale: 1/2" = 1'-0"



PLAN ELEVATION J
Scale: 1/2" = 1'-0"



REFERENCE PLAN
Scale: 1/4" = 1'-0"

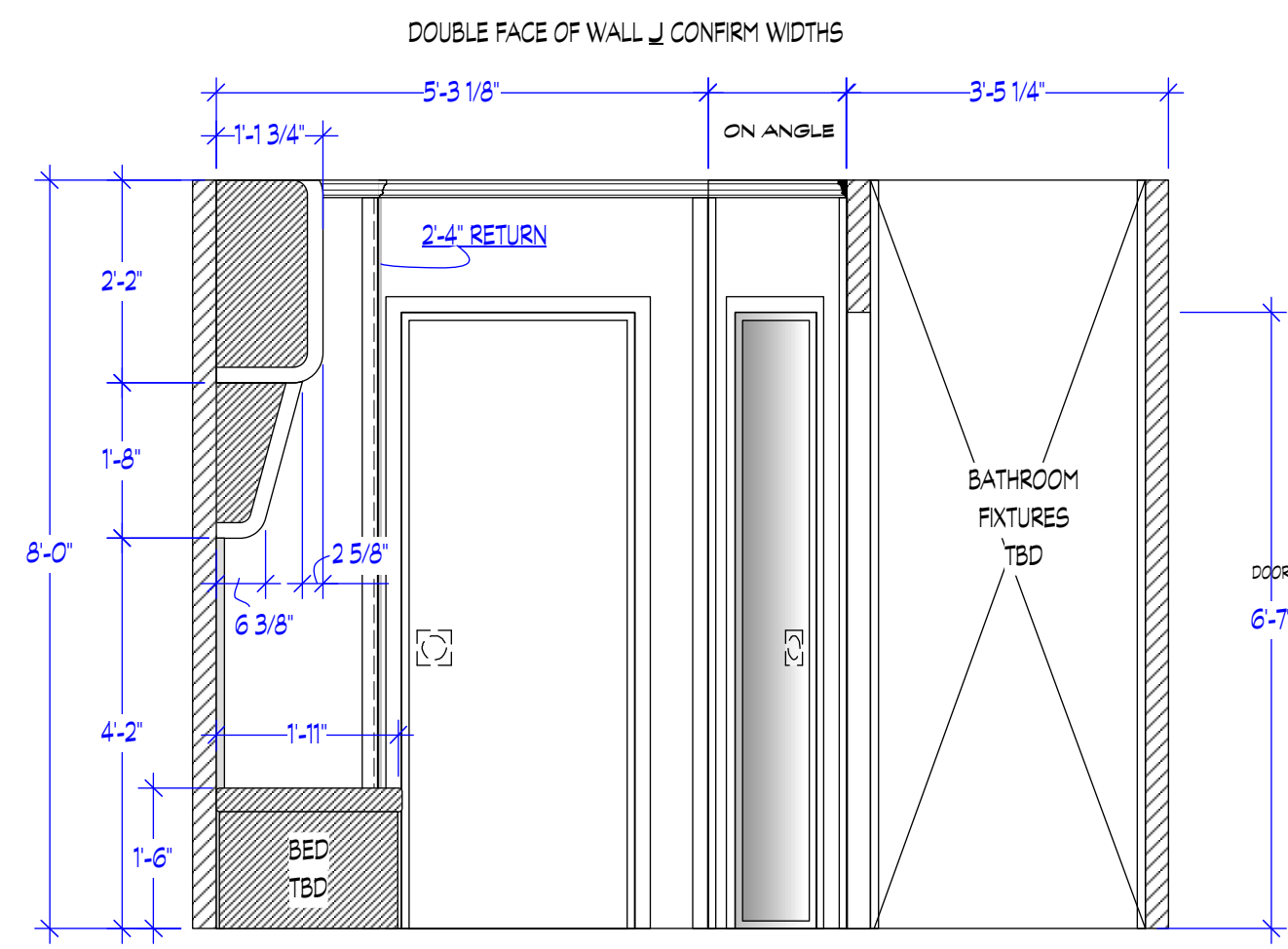


TRUE SIZE SCALE CHECK

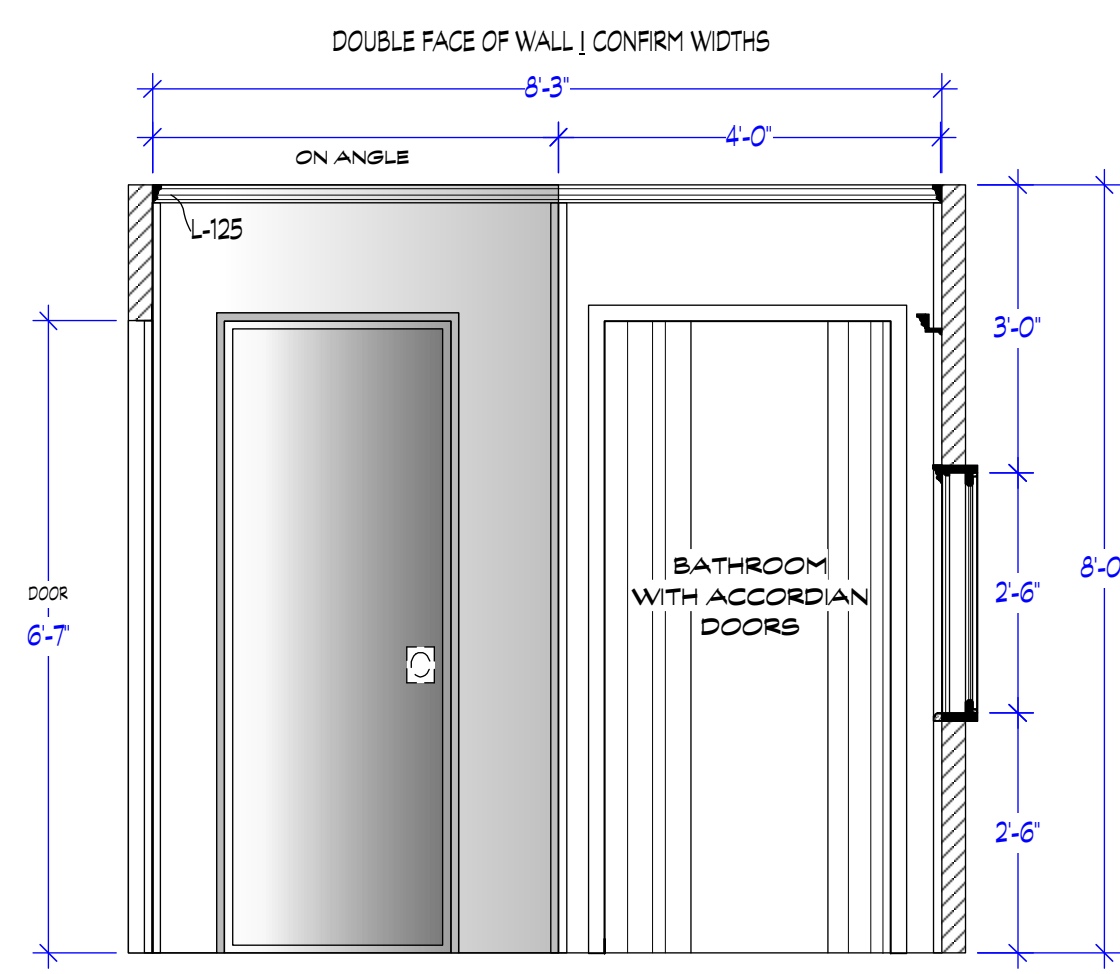
NOTE: WINDOWS CONFIRMED. JAMB DETAIL UPDATED VESTIBULE FINISHED

RELEASED 01/17/2018

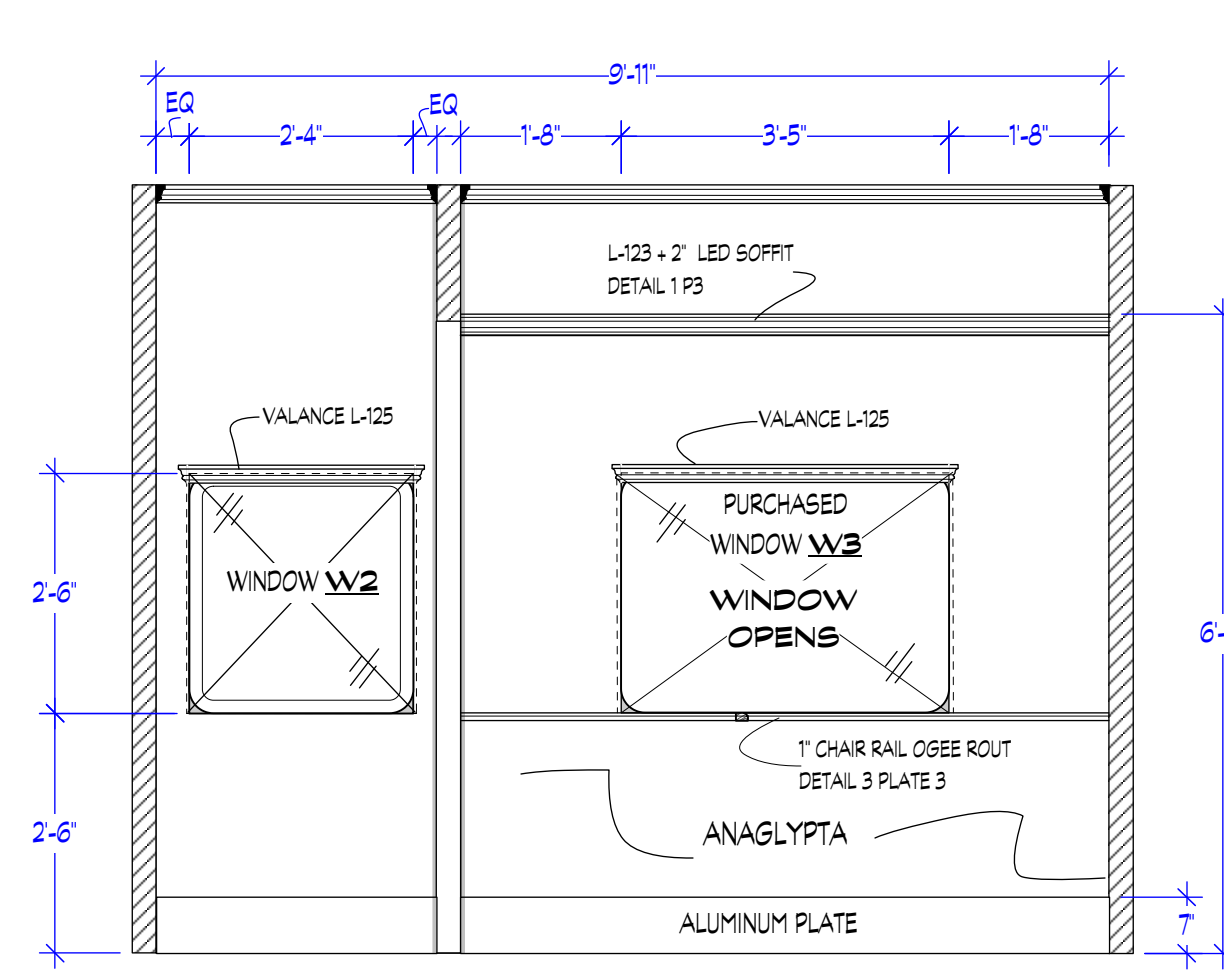
Episode: 307	Drawn by: MDF	Sheet No: 4
Set #: 222	Drawing Date: 01/13/18	Sheet Date:
Scale: 1/2" = 1'-0"		
QUANTICO S3 TRAIN		
SILVERCUP STAGE NINE		
Exc. Producer: MICHAEL SEITZMAN	Exc. Producer: RUSSELL FINE	Director: NATALIE WEINMANN
Line Producer: MOE BARDACH	UPM: RANDOL TAYLOR	Constr. Coordinator: SARAH DENNIS
Prod. Designer: JEREMY CASSELLS	ABC Studios Silvercup Studios 42-22 22nd St 3rd Floor South LIC, NY 11101	Location: BRENT HAYWOOD



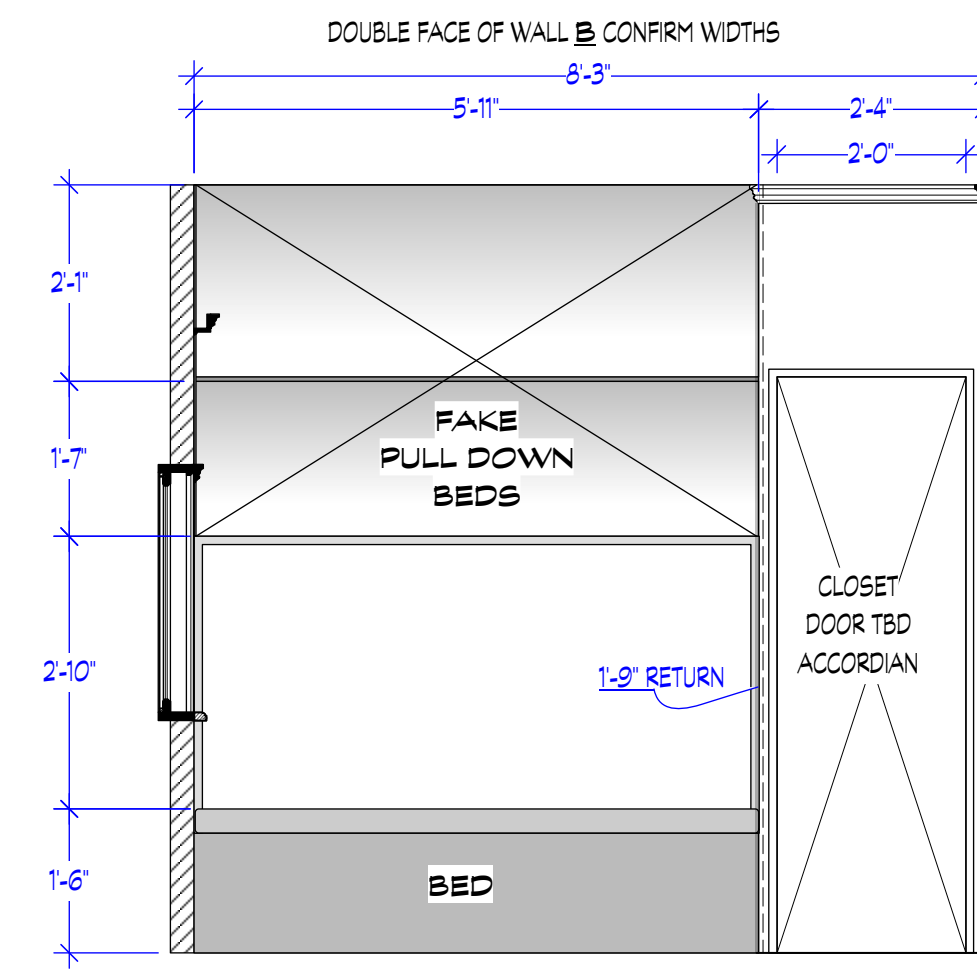
K TRAIN STATE RM WALL K ELEVATION
Scale: 1/2" = 1'-0"



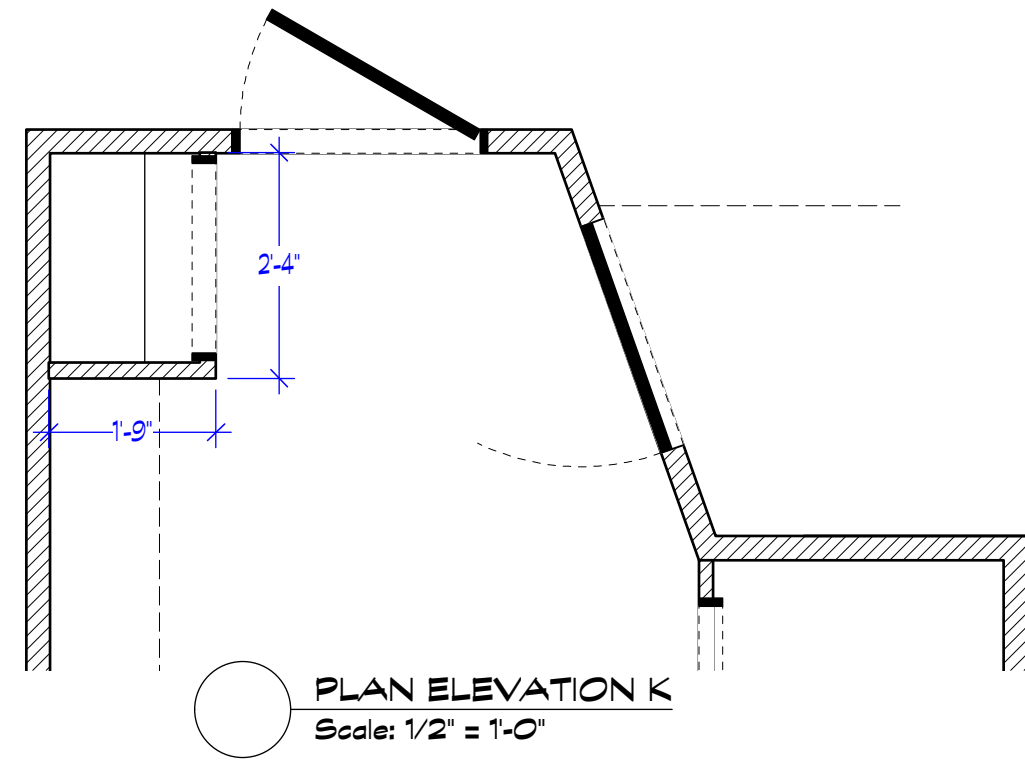
L TRAIN STATE RM WALL L ELEVATION
Scale: 1/2" = 1'-0"



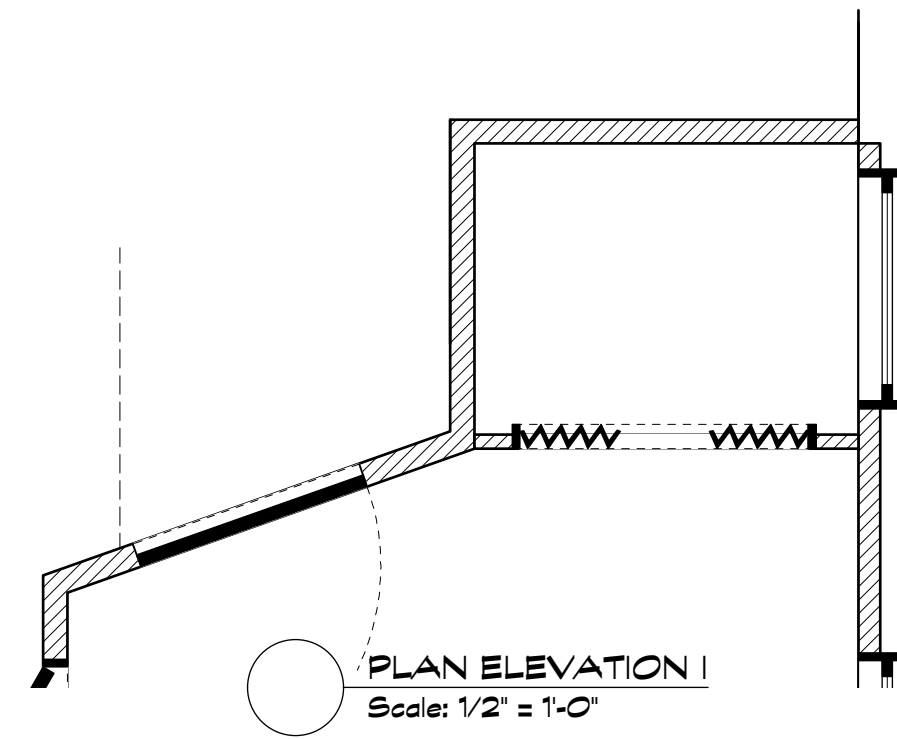
M TRAIN STATE RM WALL M ELEVATION
Scale: 1/2" = 1'-0"



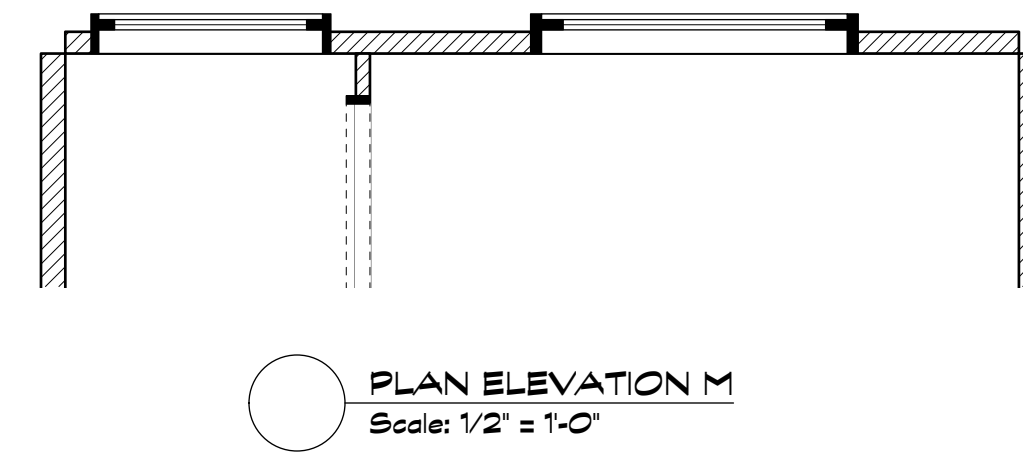
N TRAIN STATE RM WALL N ELEVATION
Scale: 1/2" = 1'-0"



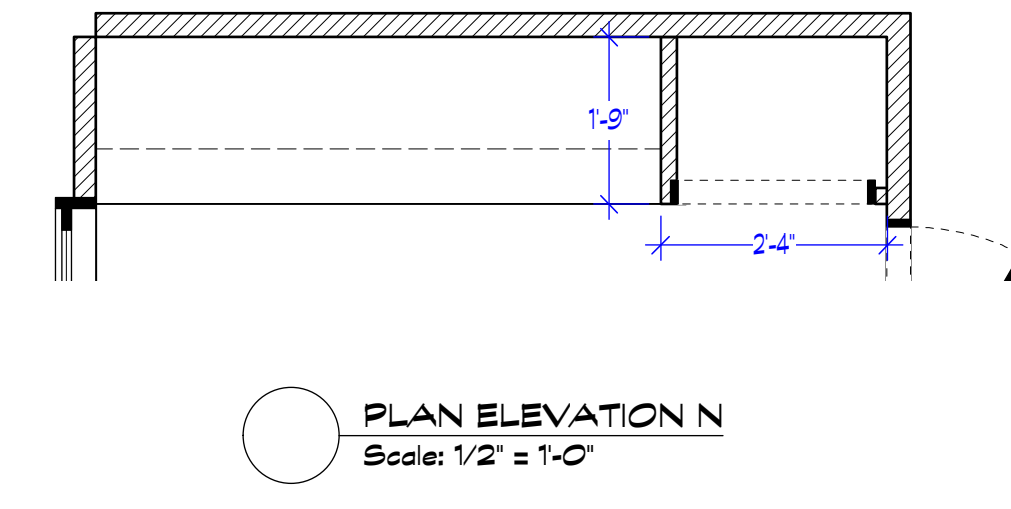
K PLAN ELEVATION K
Scale: 1/2" = 1'-0"



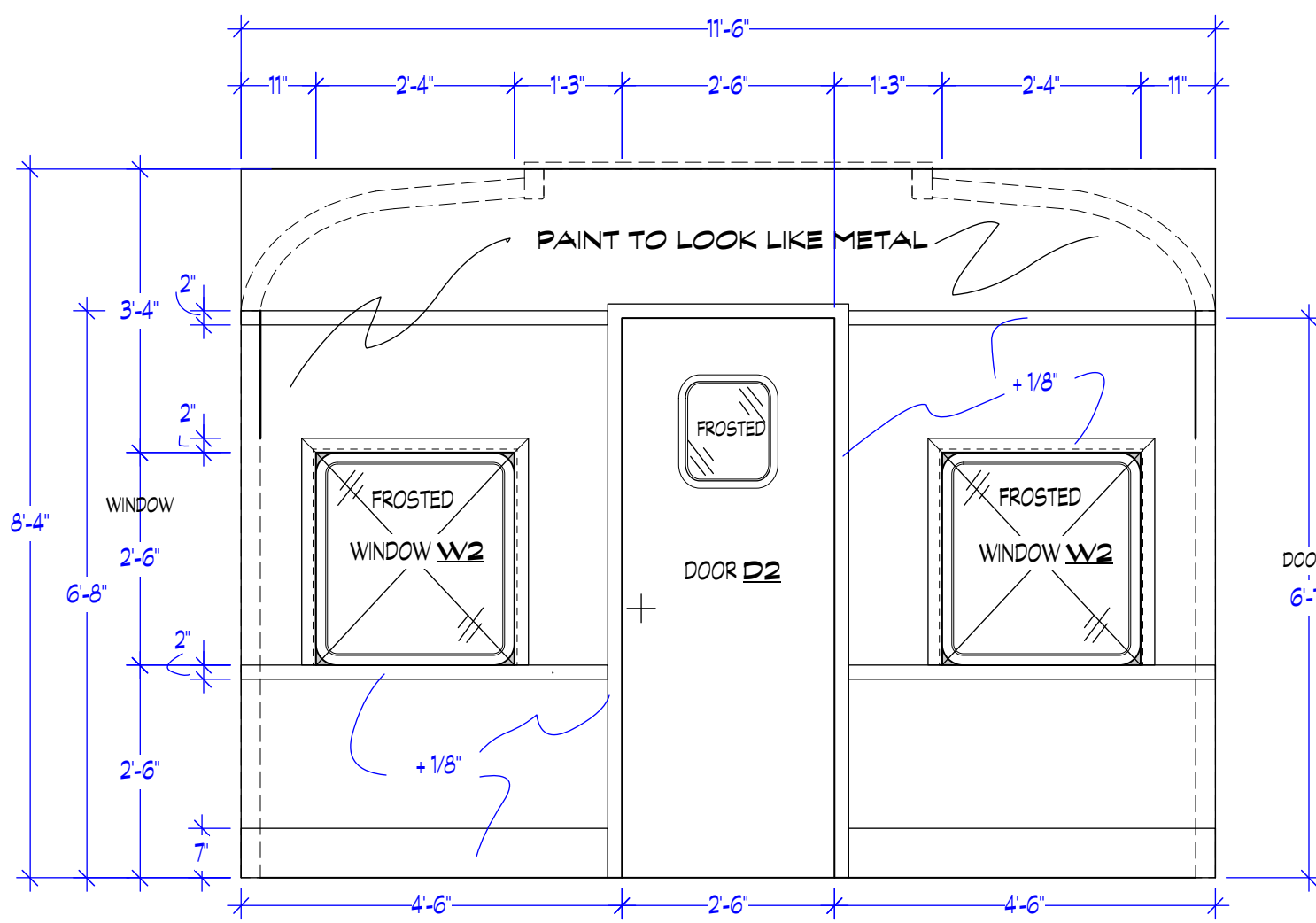
L PLAN ELEVATION L
Scale: 1/2" = 1'-0"



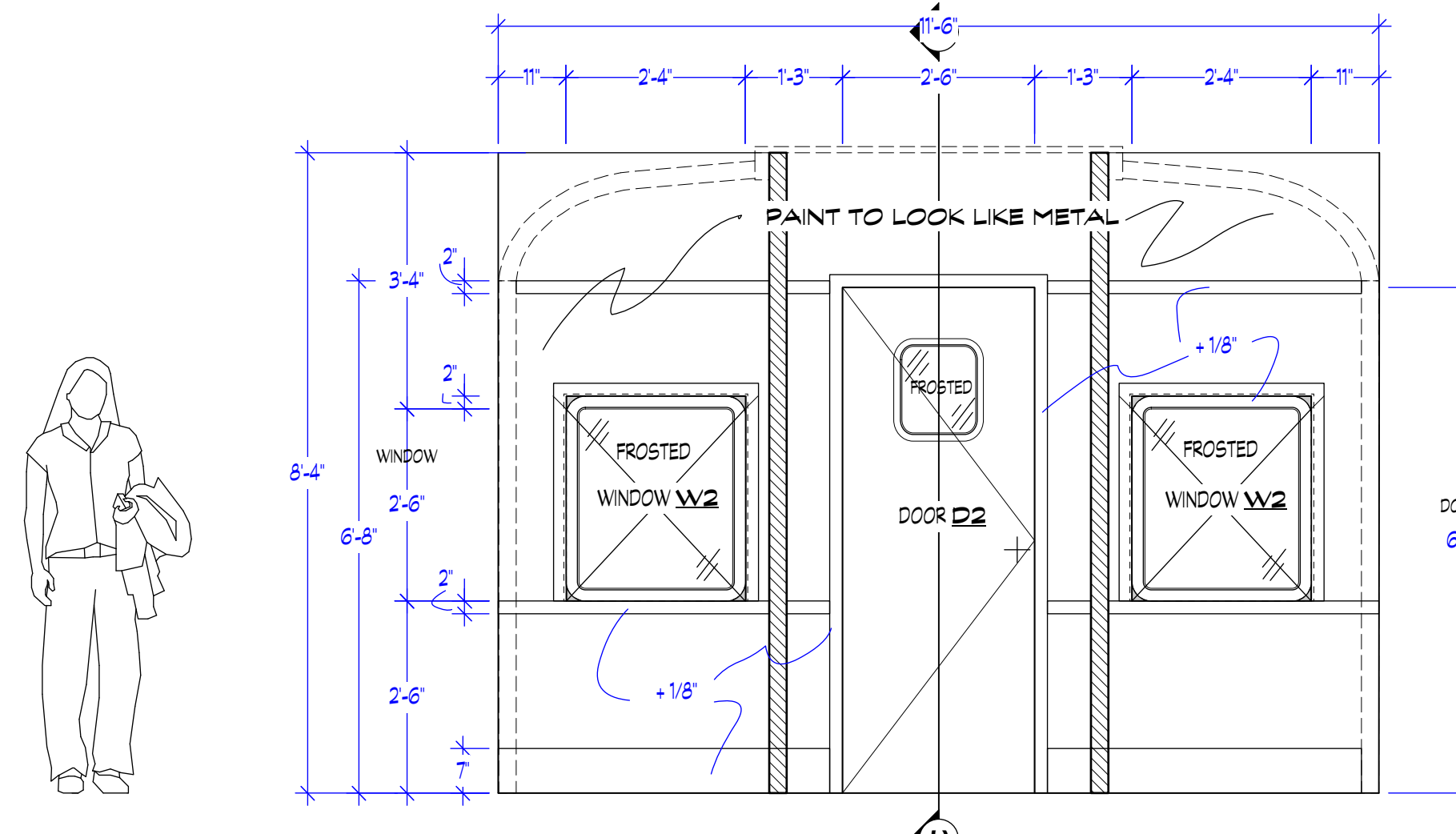
M PLAN ELEVATION M
Scale: 1/2" = 1'-0"



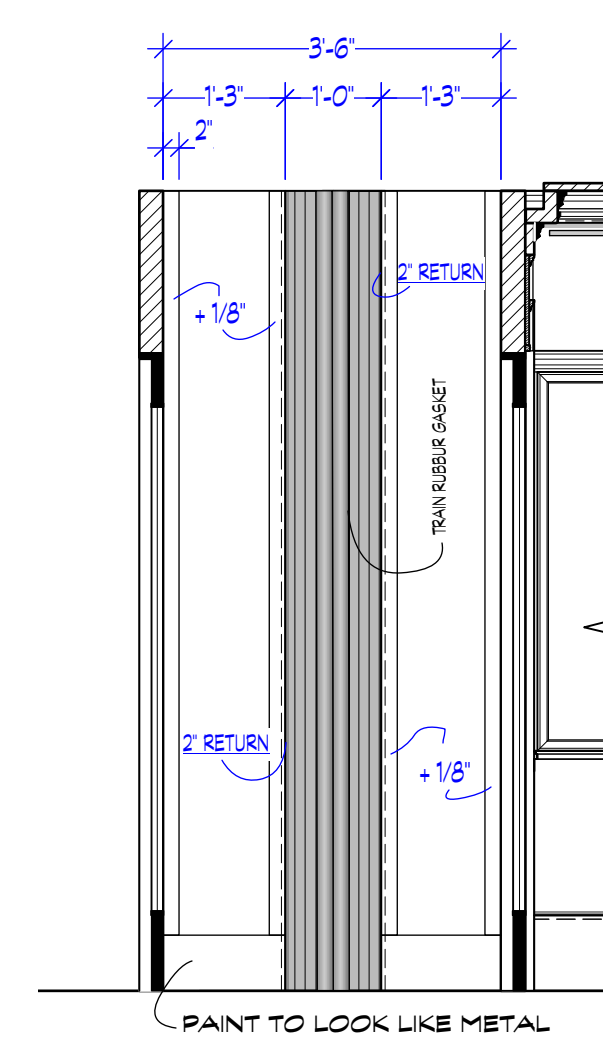
N PLAN ELEVATION N
Scale: 1/2" = 1'-0"



P TRAIN VESTIBULE WALL P ELEVATION
Scale: 1/2" = 1'-0"



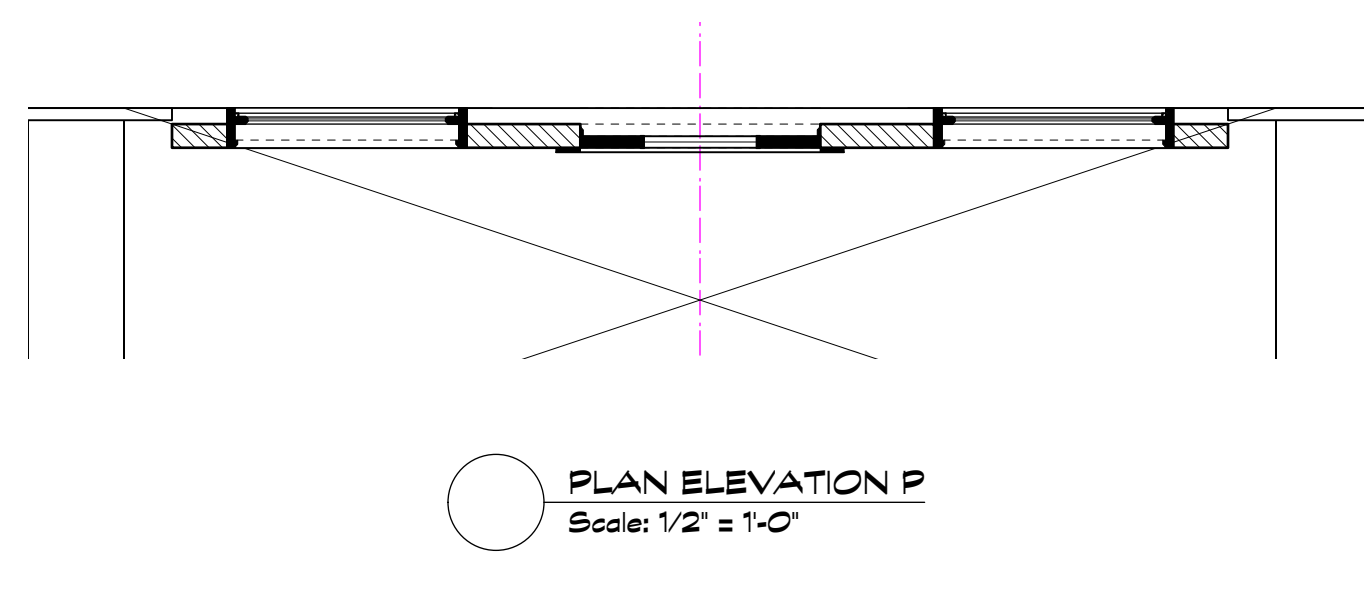
O TRAIN VESTIBULE WALL O ELEVATION
Scale: 1/2" = 1'-0"



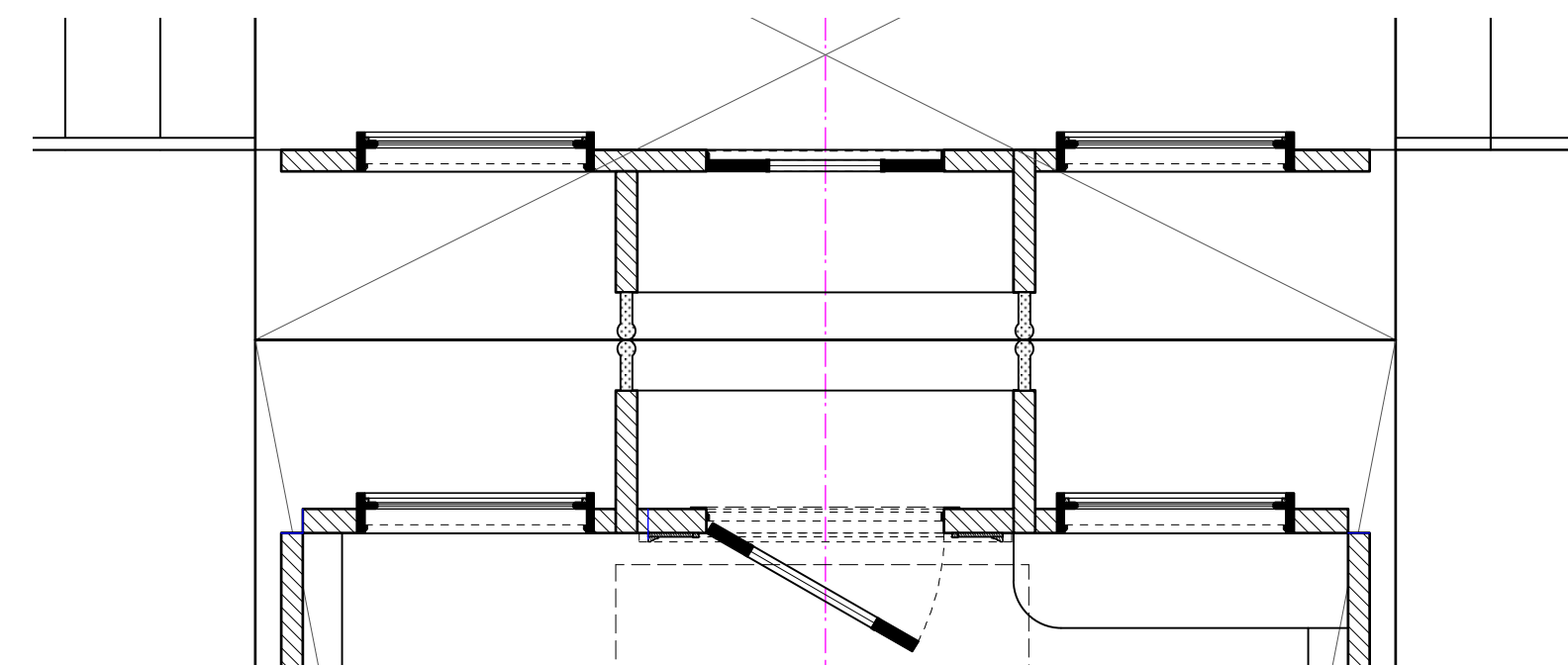
C-C SECTION C-C
Scale: 1/2" = 1'-0"



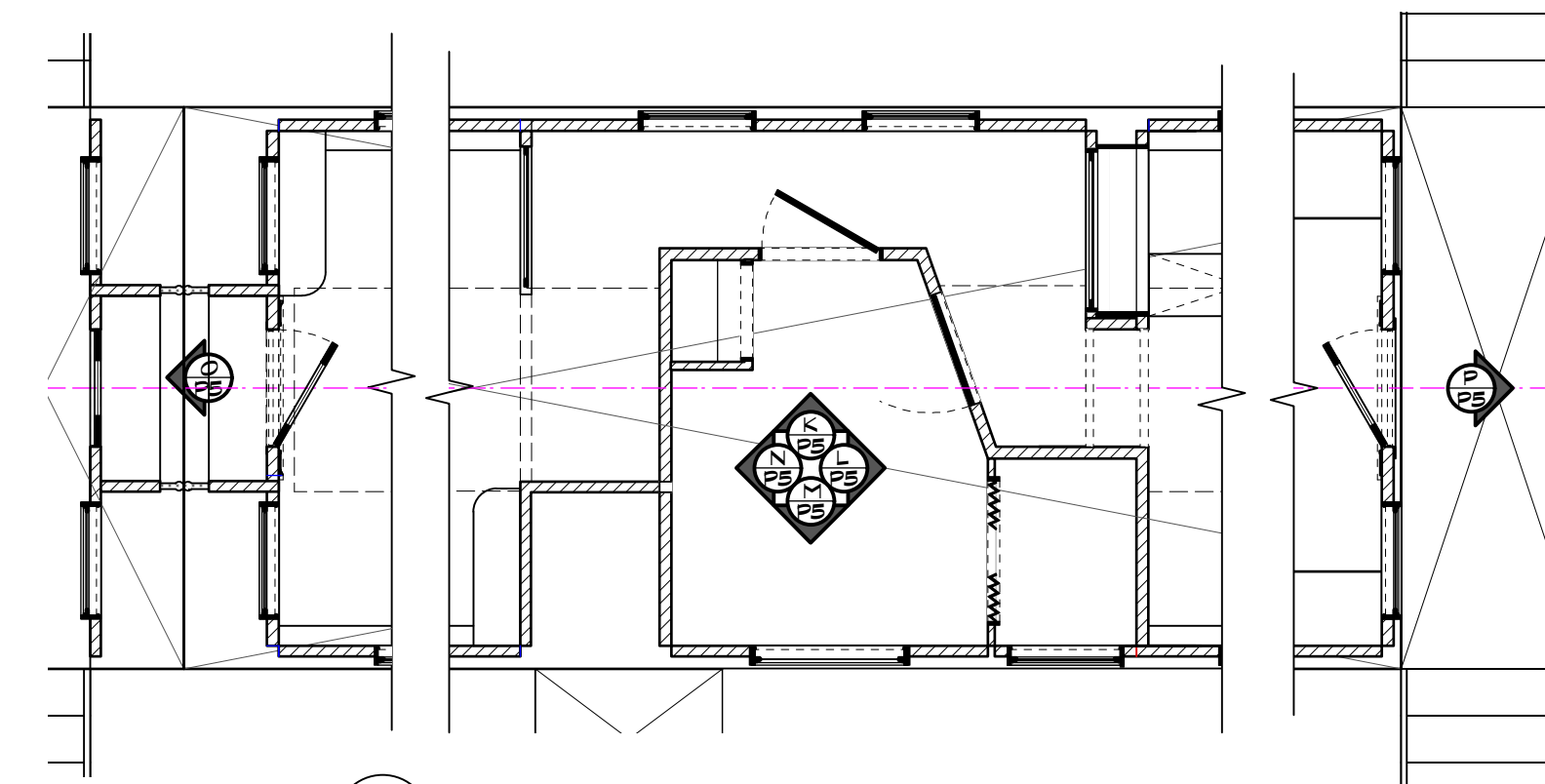
PAINTED METAL LOOK



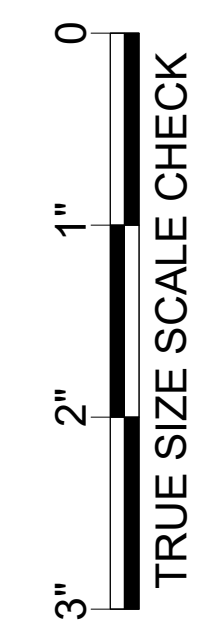
P PLAN ELEVATION P
Scale: 1/2" = 1'-0"



O PLAN ELEVATION O
Scale: 1/2" = 1'-0"



REFERENCE PLAN
Scale: 1/4" = 1'-0"



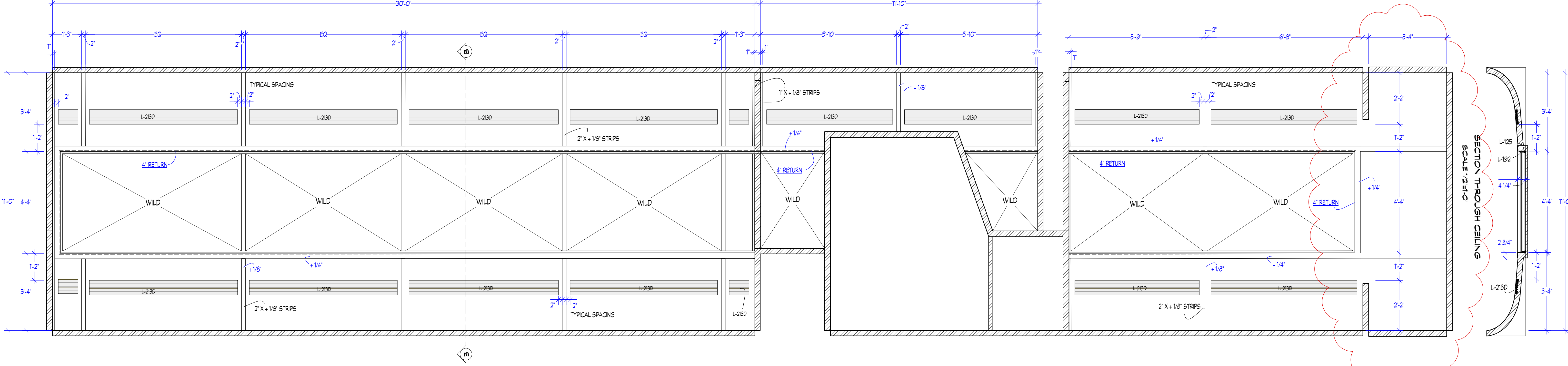
TRUE SIZE SCALE CHECK

NOTE: WINDOWS CONFIRMED. JAMB DETAIL UPDATED VESTIBULE FINISHED

REVISED 01/17/2018

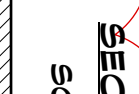
Episode: 307	Drawn by: MDF	Sheet No: 5
Set #: 222	Sheet Date:	
Scale: 1/2" = 1'-0"		
QUANTICO S3 TRAIN - ELEVATIONS		
Director: NATALIE WEINMANN		
Location: SILVERCUP STAGE NINE		
Exc. Producer: MICHAEL SEITZMAN	Exc. Producer: RUSSELL FINE	
Line Producer: MOE BARDACH	UPM: RANDOL TAYLOR	
Prod. Designer: JEREMY CASSELLS	Art Director: NATALIE WEINMANN	
Set Decorator: SARAH DENNIS	Const. Coordinator: BRENT HAYWOOD	

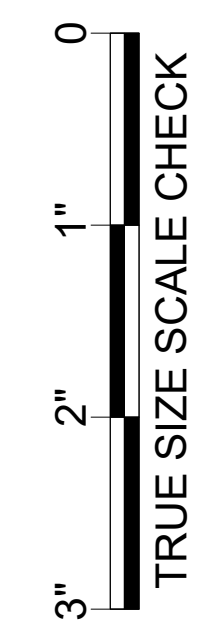
quantico
season three




TRAIN SEATING CABIN WALL H ELEVATION
 Scale: 1/2" = 1'-0"


SECTION B-B
 Scale: 1/2" = 1'-0"


SECTION THROUGH CEILING
 Scale: 1/2" = 1'-0"



NOTE: REFLECTS ACTUAL W1 LARGE WIDOW SIZE 63"X30" ADDED LUGGAGE STORAGE AREA

REVISED 01/16/2018

Episode: 307 Set # 222 Scale: 1/2" = 1'-0"	Drawing Date: 01/13/18 Drawn by: MDF
	Sheet Date: Sheet No: 7
Set Name & Description: QUANTICO S3 TRAIN-REFLECTED CEILING	
Director: NATALIE WEINMANN	
Location: SILVERCUP STAGE NINE	
Exc. Producer: MICHAEL SEITZMAN Line Producer: MOE BARDACH ABC Studios Silvercup Studios 42-22 22nd St 3rd Floor South LIC, NY 11101	Exc. Producer: RUSSELL FINE UPM: RANDOL TAYLOR
Prod. Designer: JEREMY CASSELLS Set Decorator: SARAH DENNIS	Art Director: NATALIE WEINMANN Constr. Coordinator: BRENT HAYWOOD

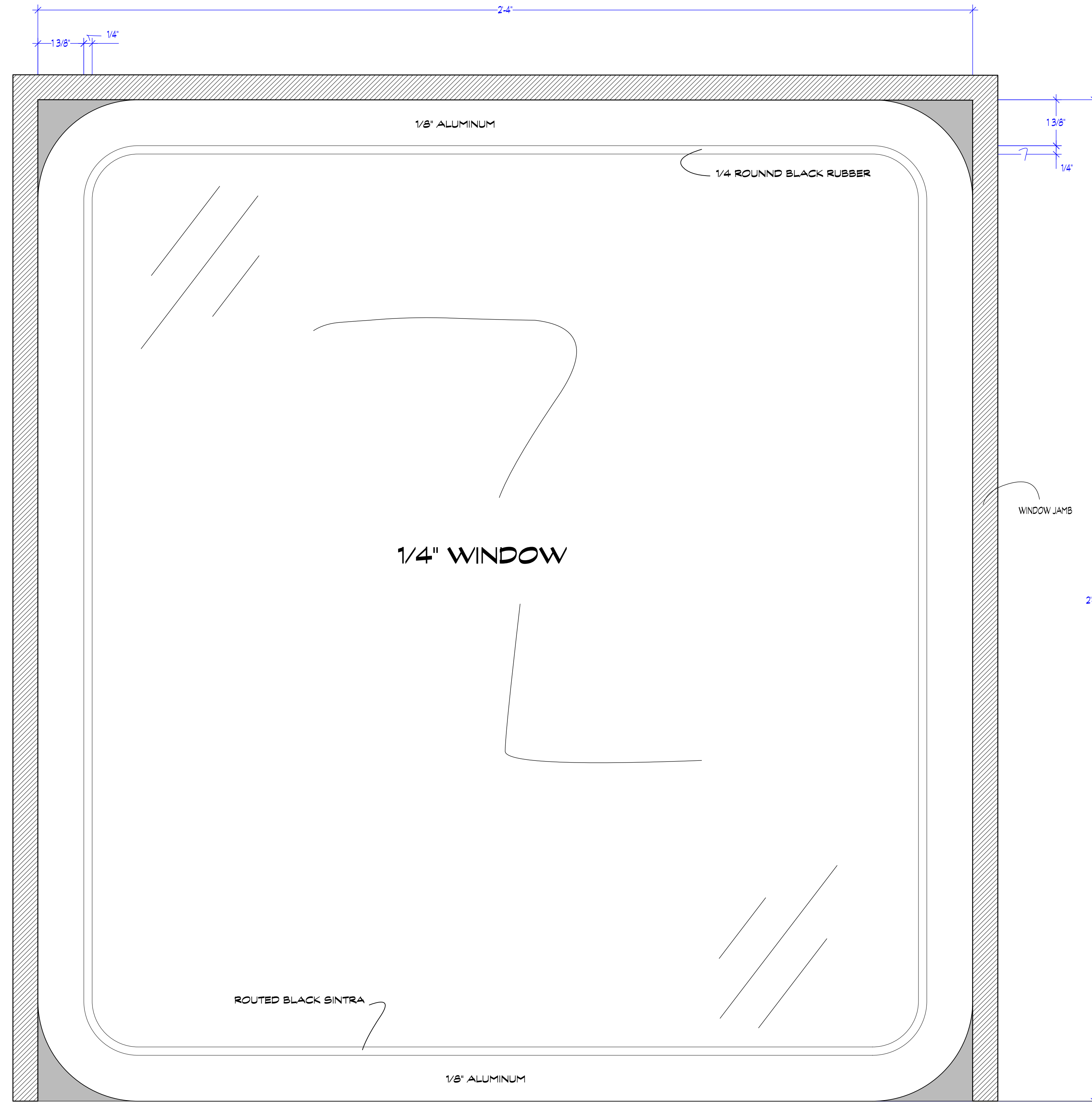




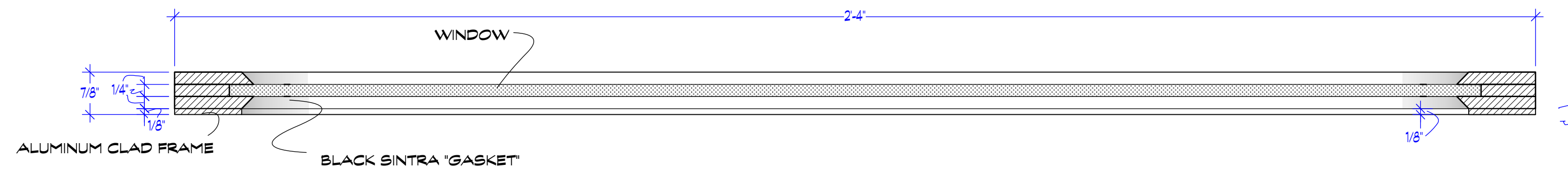
ORIGINAL WINDOW



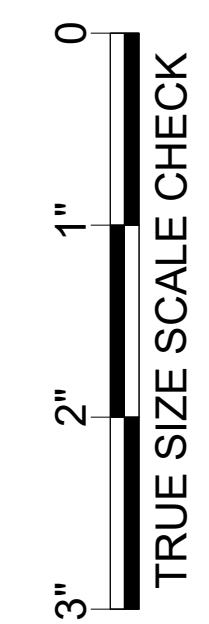
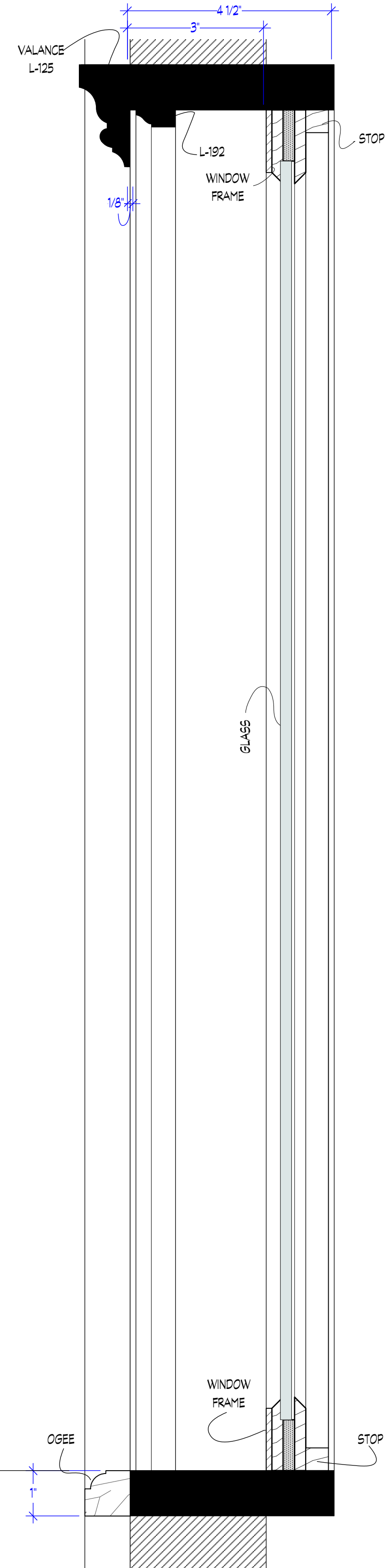
WINDOW DETAIL MATCH



○ TRAIN WINDOW DETAIL
Scale: Half Actual Size



○ WINDOW PLAN
Scale: Half Actual Size

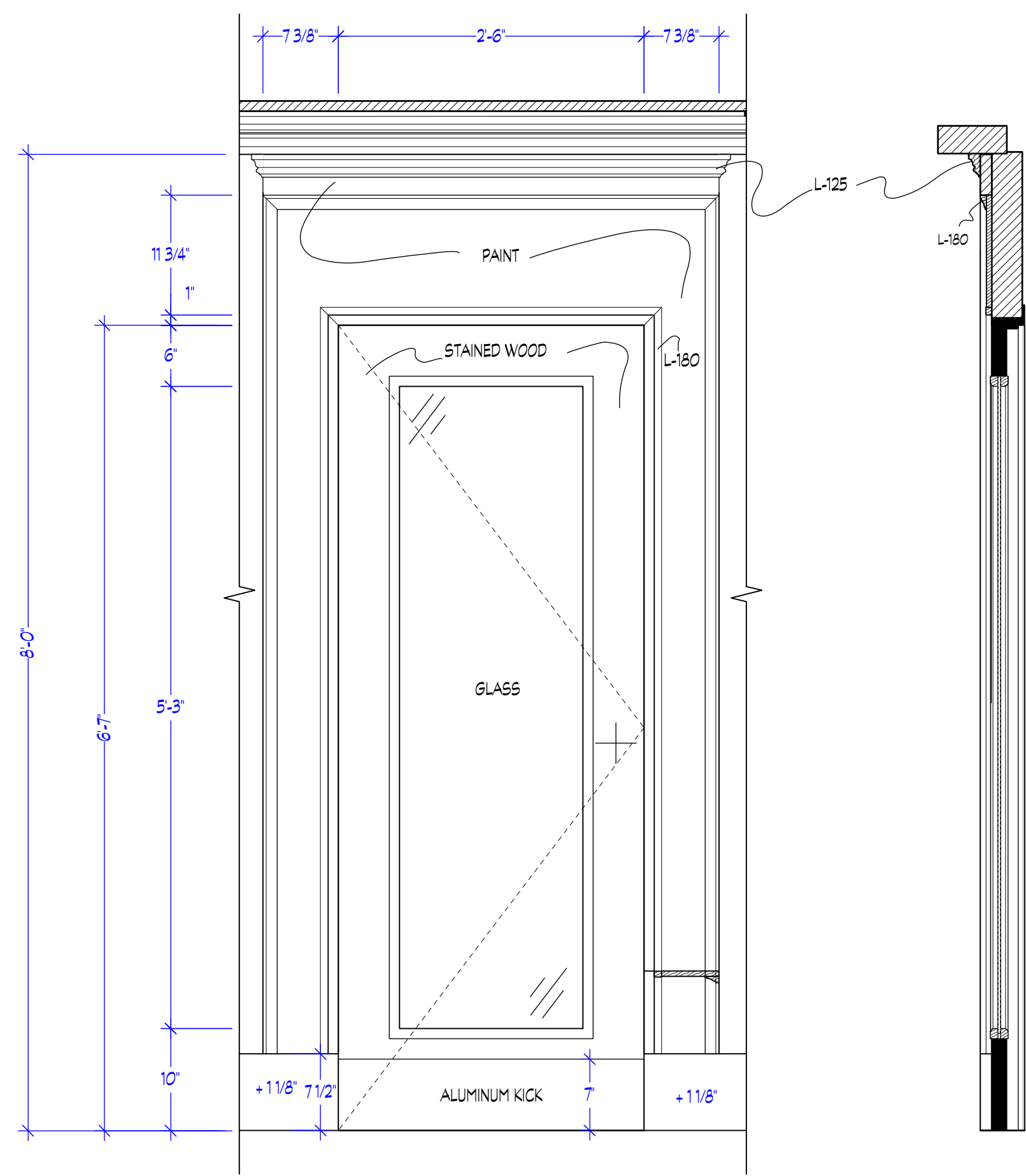


NOTE: WINDOWS CONFIRMED. JAMB DETAIL UPDATED VESTIBULE FINISHED

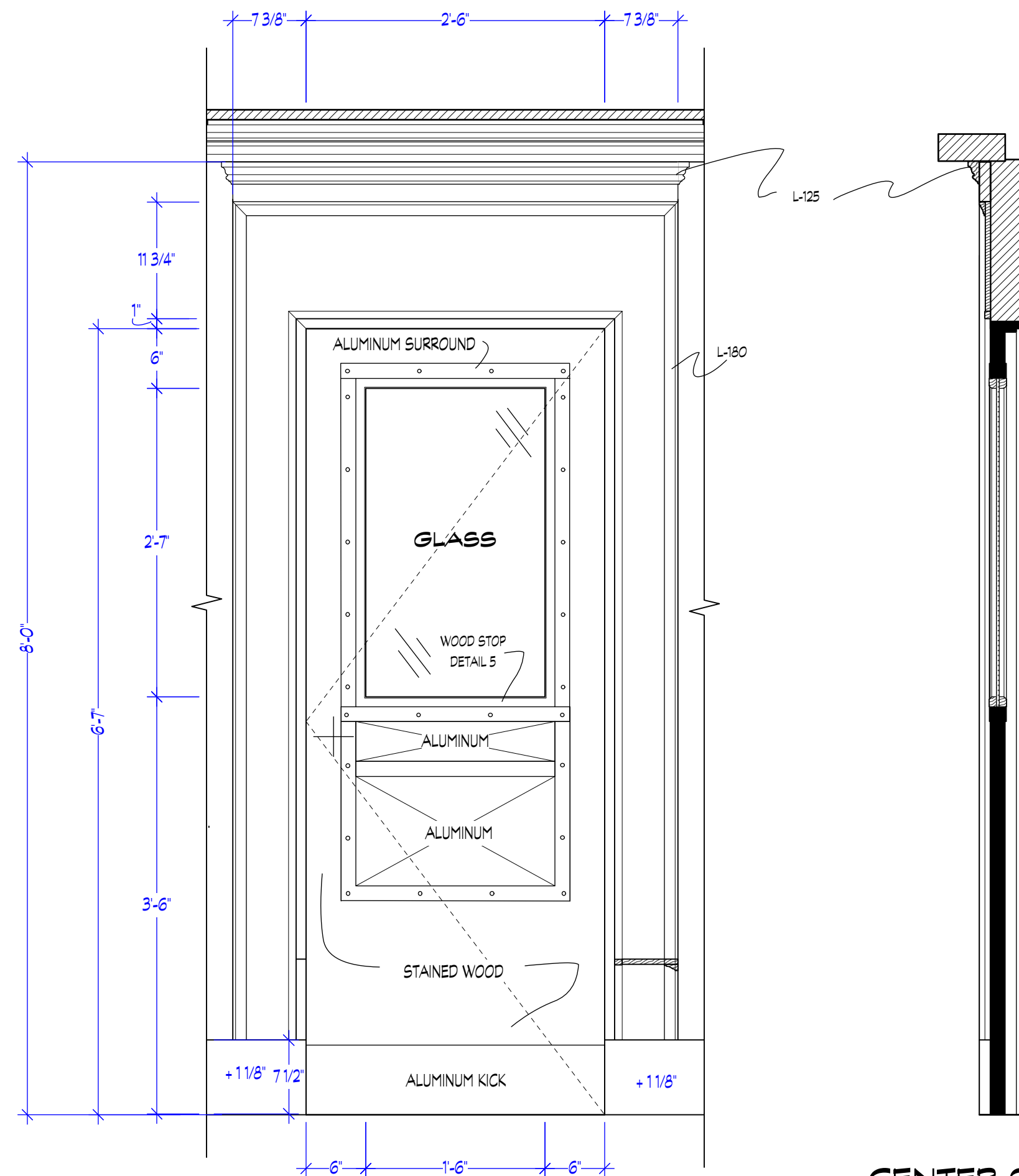
RELEASED 01/17/2018

Episode: 307	Set Name & Description: QUANTICO S3 TRAIN-WINDOW DETAIL	Exc. Producer: MICHAEL SEITZMAN Line Producer: MOE BARDACH ABC Studios Silvercup Studios 42-22 22nd St 3rd Floor South LIC, NY 11101	Exc. Producer: RUSSELL FINE UPM: RANDOL TAYLOR	Drawn by: MDF
Set # 222	Director: NOTED	Prod. Designer: JEREMY CASSELLS	Art Director: NATALIE WEINMANN	Sheet Date: 01/15/18
Scale: NOTED	Location: SILVERCUP STAGE NINE	Const. Coordinator: BRENT HAYWOOD	Sheet No: 8	

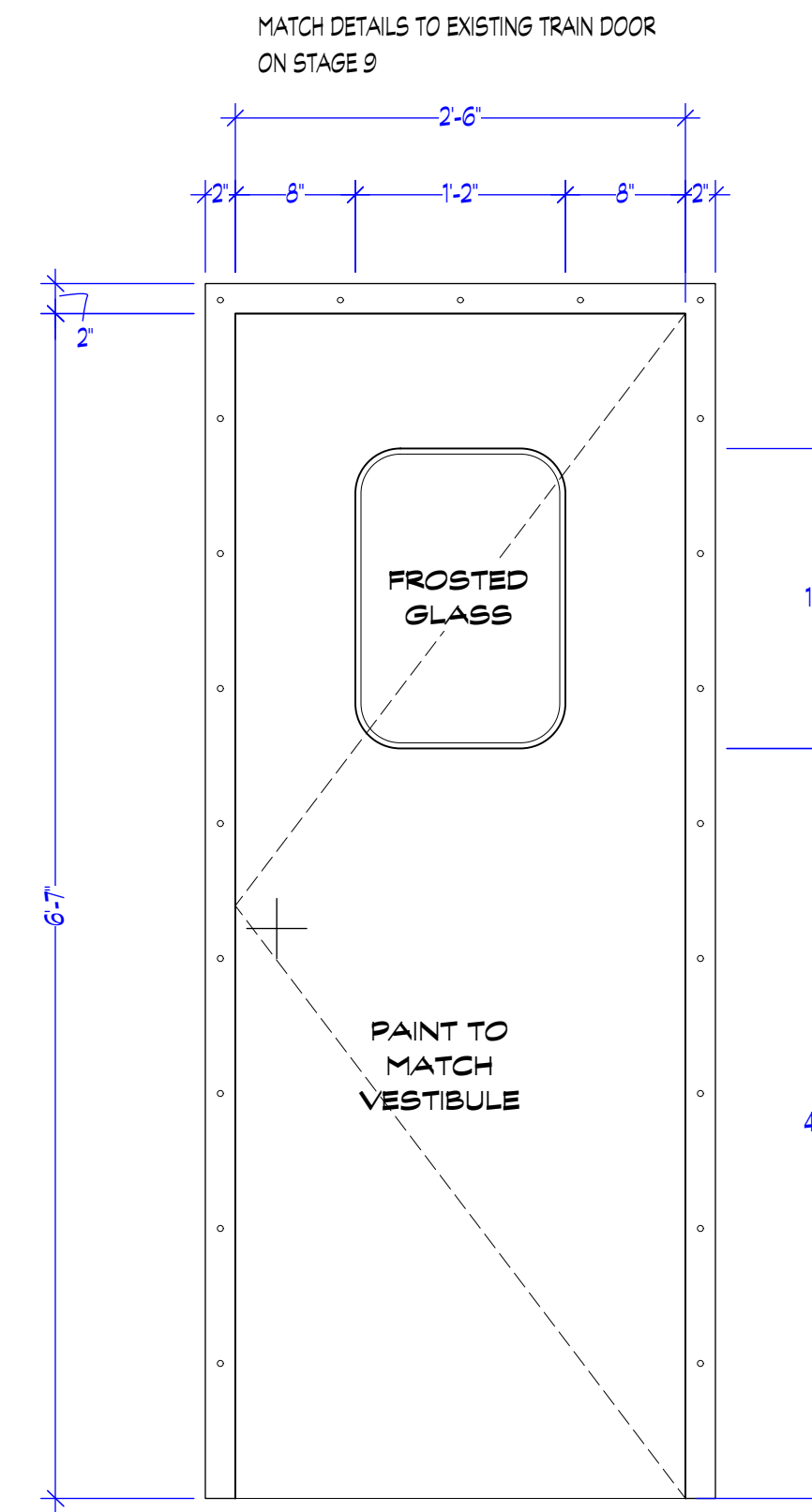




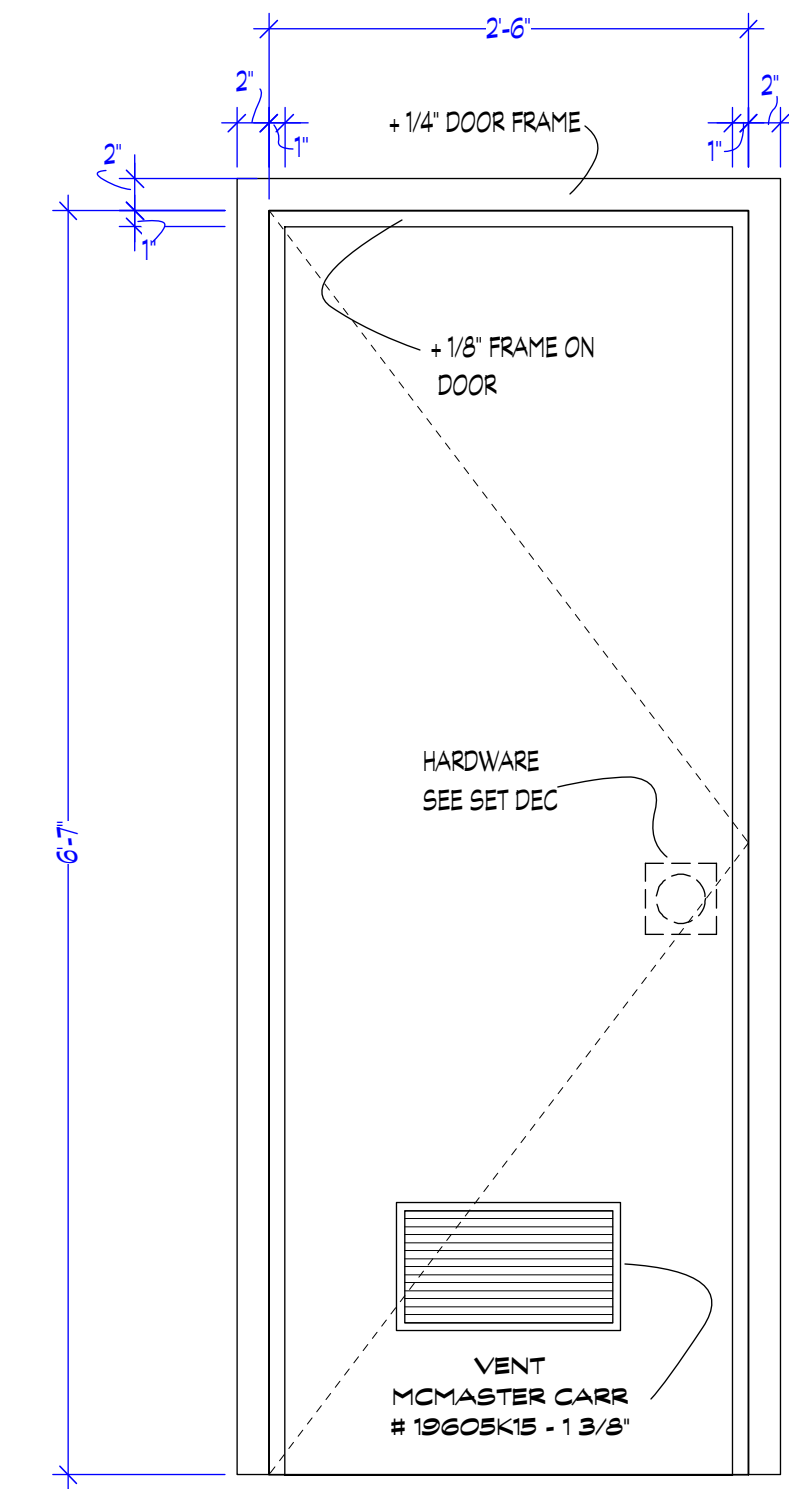
CENTER SECTION



CENTER SECTION



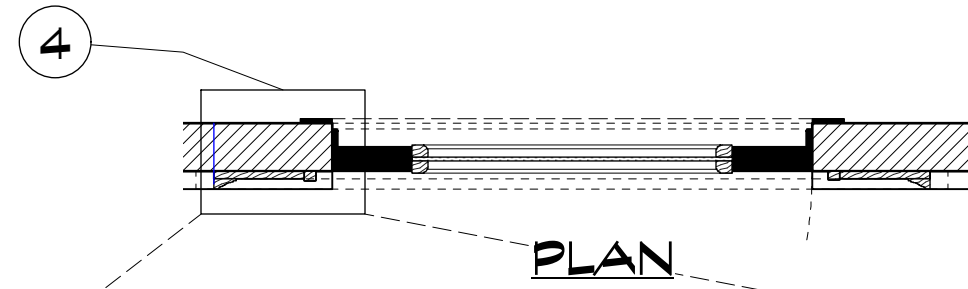
D2 VESTIBULE DOOR DETAIL D1 ELEVATION O & P
Scale: 1" = 1'-0"



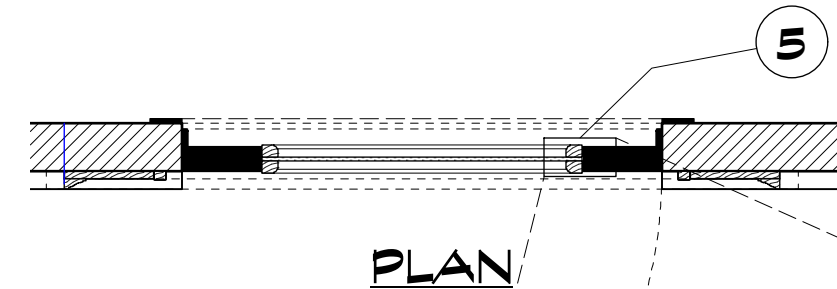
D3 TRAIN DOOR DETAIL D3 ELEVATION J
Scale: 1" = 1'-0"

D1 TRAIN DOOR DETAIL D1 ELEVATION D
Scale: 1" = 1'-0"

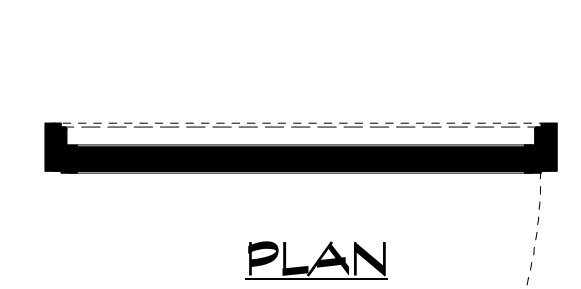
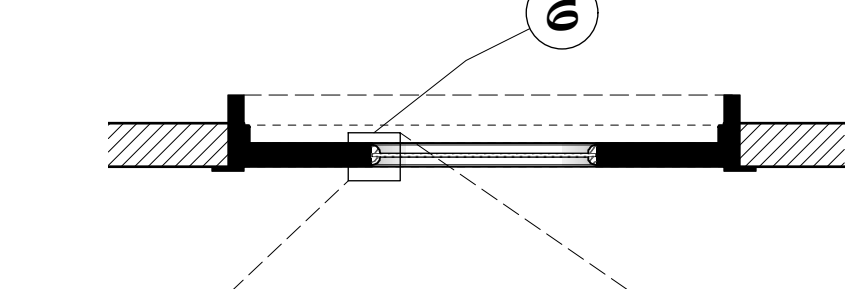
D1 TRAIN DOOR DETAIL D1 ELEVATION G
Scale: 1" = 1'-0"



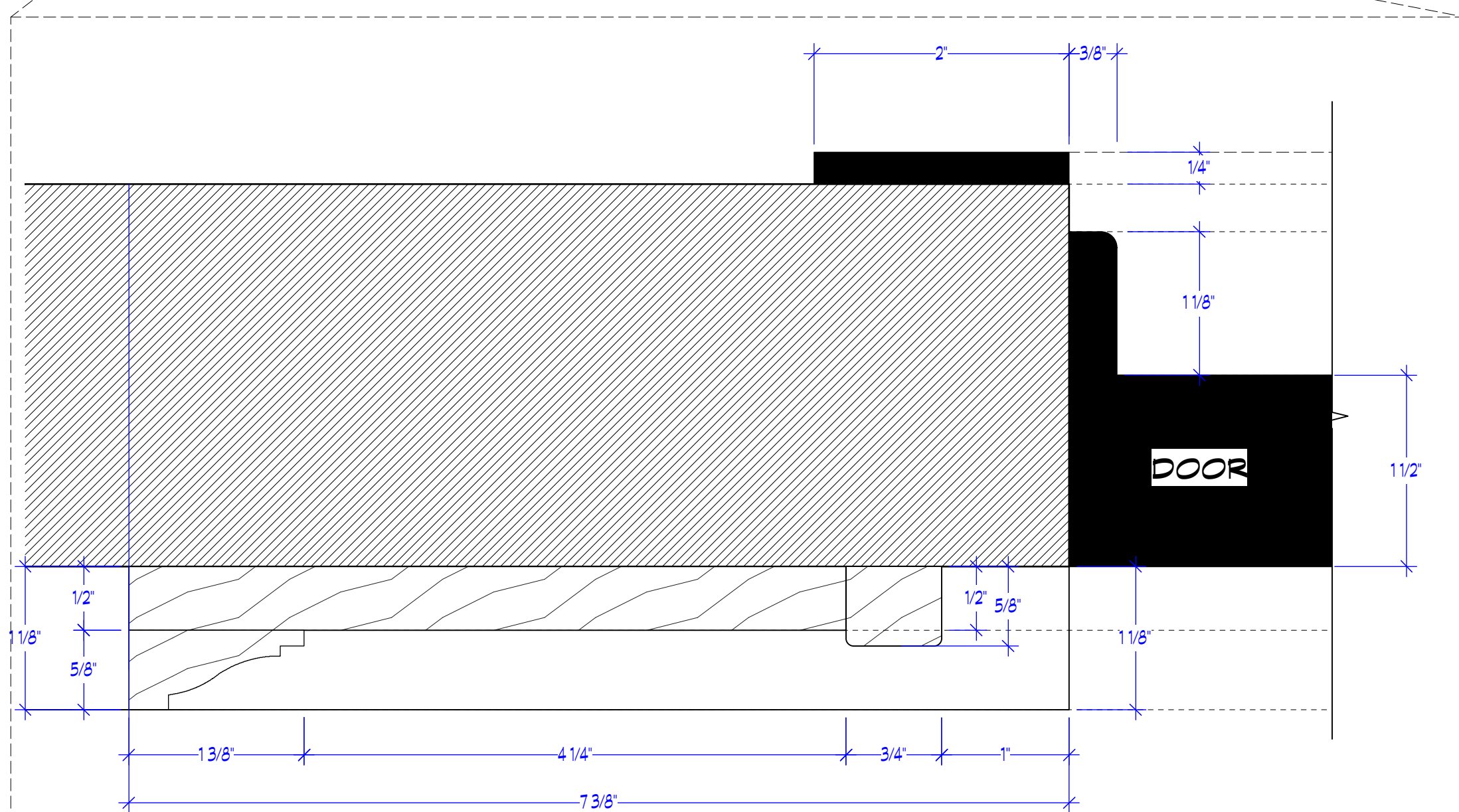
PLAN



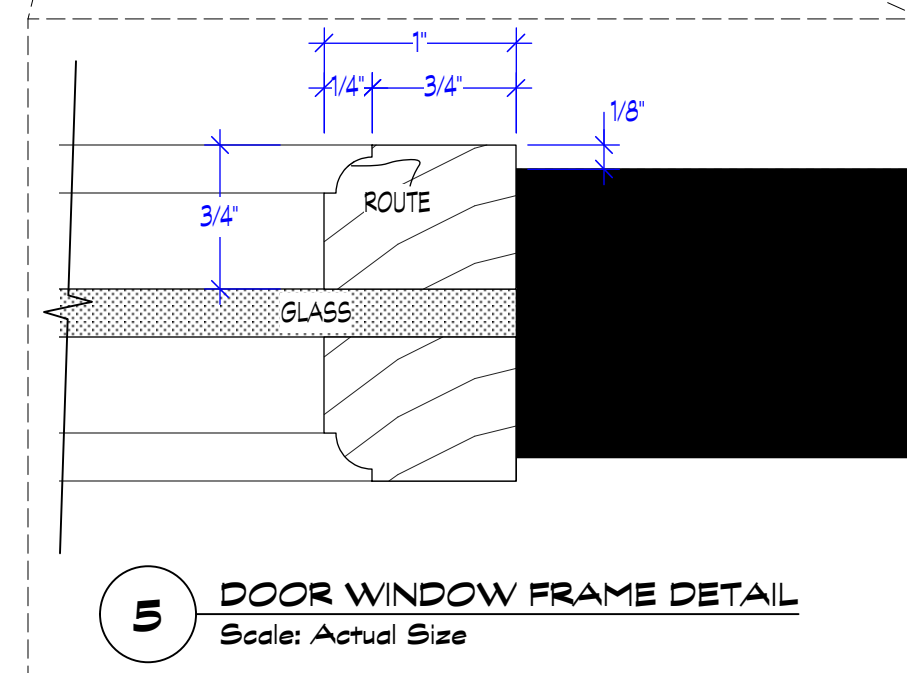
PLAN



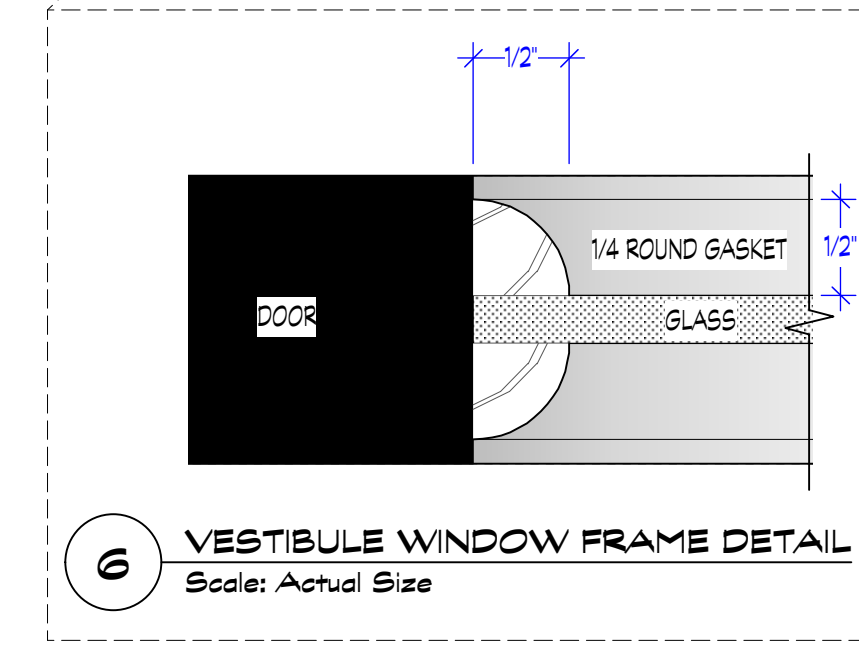
PLAN



4 DOOR JAMB/ TRIM DETAIL
Scale: Actual Size



5 DOOR WINDOW FRAME DETAIL
Scale: Actual Size



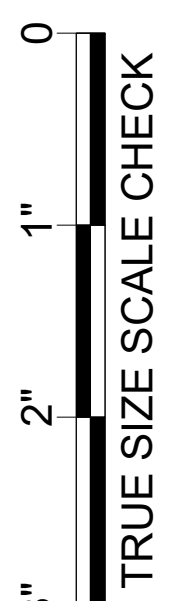
6 VESTIBULE WINDOW FRAME DETAIL
Scale: Actual Size



TRAIN INTERIOR



VESTIBULE



TRUE SIZE SCALE CHECK

RELEASED 01/17/2018

Episode: 307	Drawn by: MDF
Set # 222	Sheet No: 9
Scale:	NOTED
Set Name & Description: QUANTICO S3 TRAIN- DOOR DETAIL	Location: SILVERCUP STAGE NINE
Exc. Producer: MICHAEL SEITZMAN	Exc. Producer: RUSSELL FINE
Line Producer: MOE BARDACH	Line Producer: RANDOL TAYLOR
ABC Studios Silvercup Studios 42-22 22nd St 3rd Floor South LIC, NY 11101	Art Director: NATALIE WEINMANN
Prod. Designer: JEREMY CASSELLS	Constr. Coordinator: BRENT HAYWOOD
Set Decorator: SARAH DENNIS	