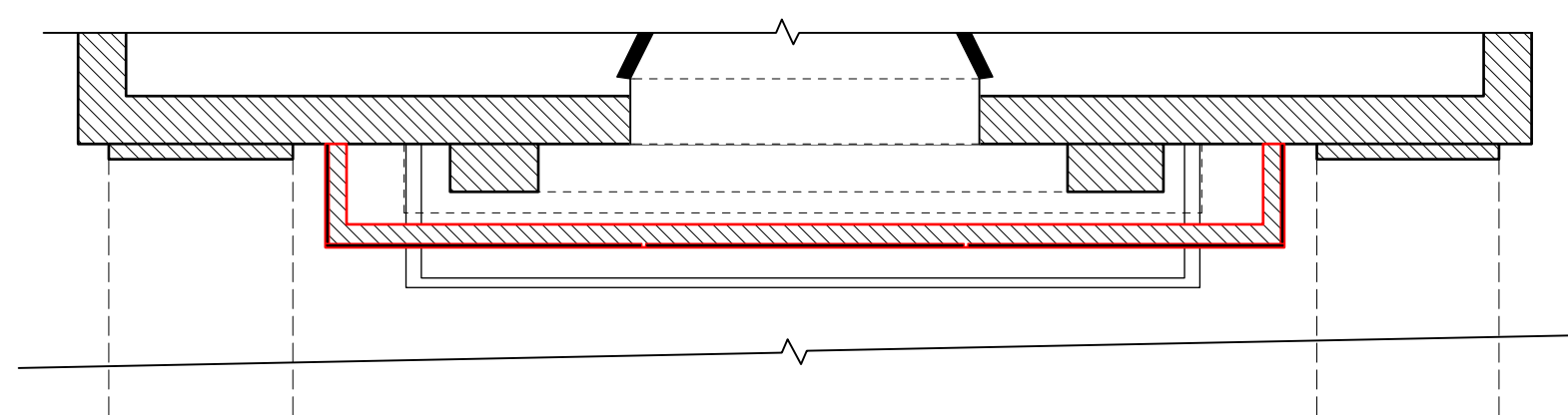
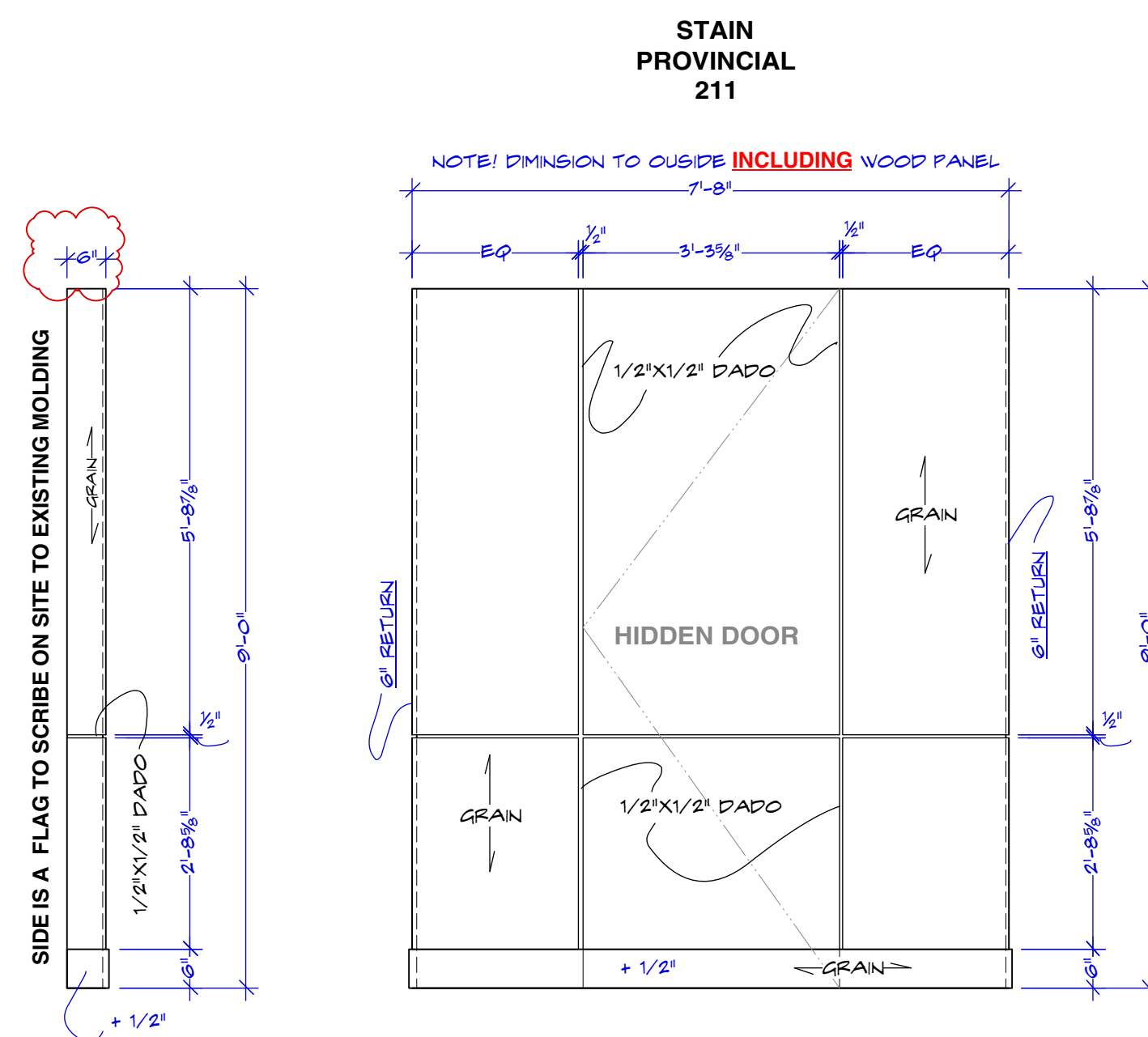


FIREPLACE RETURN
SCALE: 1/2" = 1'-0"

A FIREPLACE COVER WALL A
SCALE: 1/2" = 1'-0"

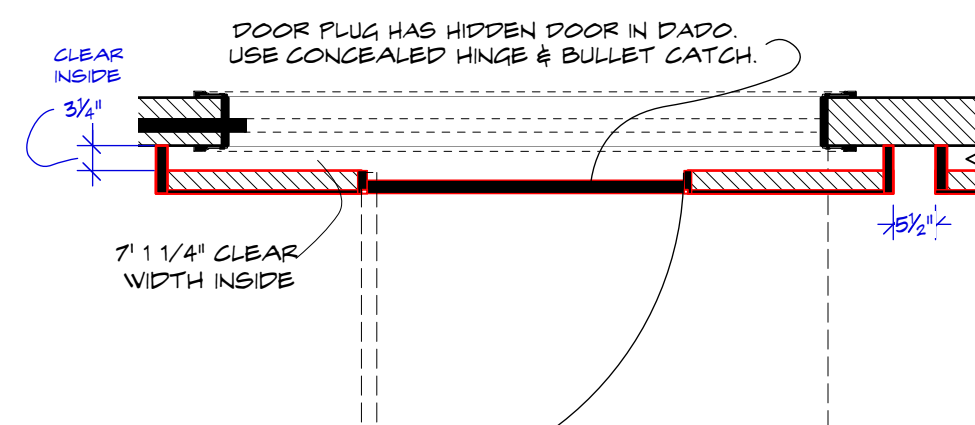


FIREPLACE COVER PLAN
SCALE: 1/2" = 1'-0"

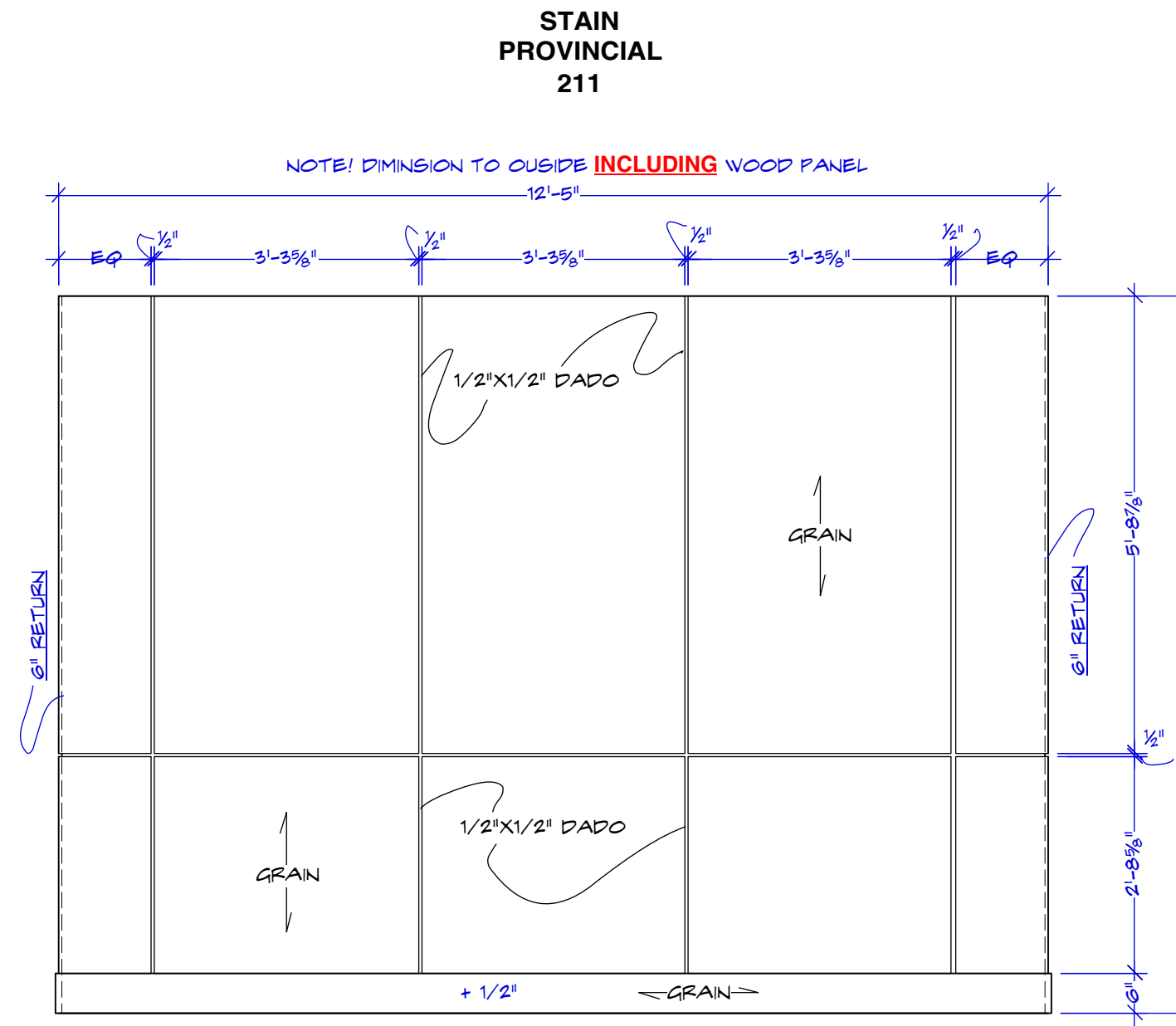


DOOR PLUG SIDE
SCALE: 1/2" = 1'-0"

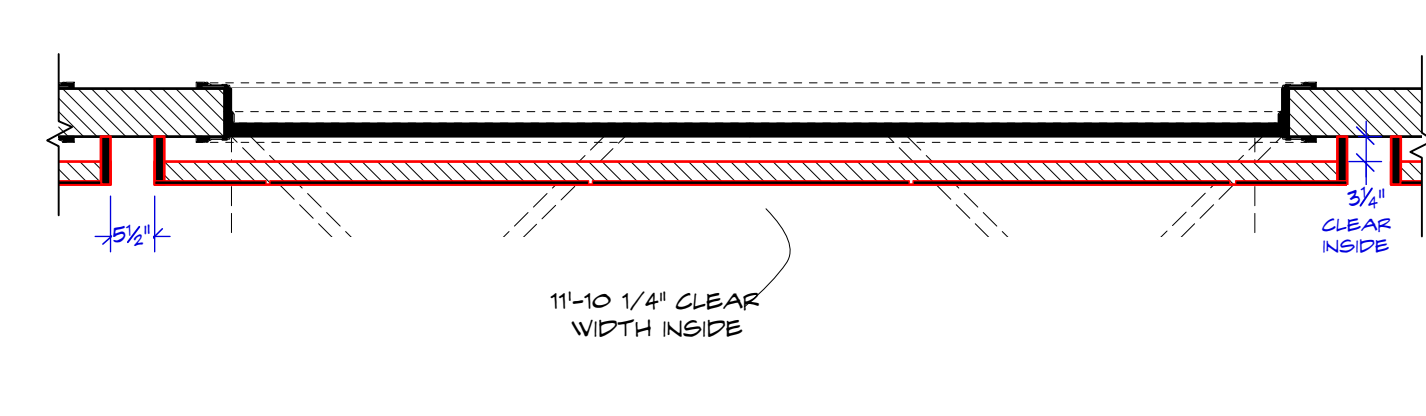
B DOOR PLUG B
SCALE: 1/2" = 1'-0"



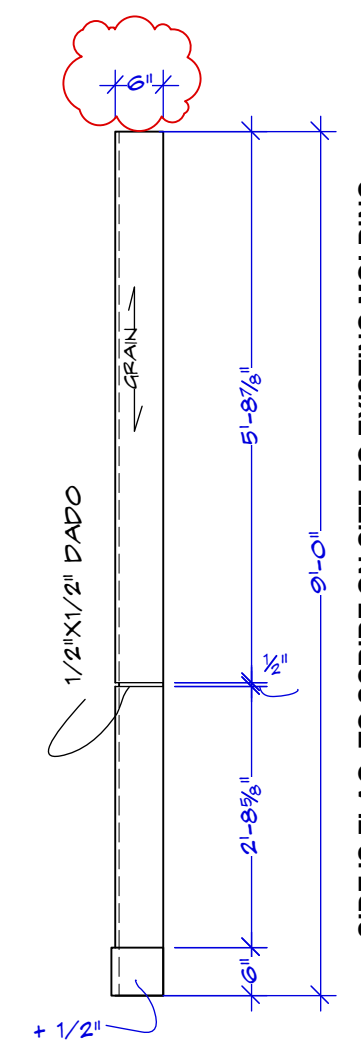
PLUG B PLAN
SCALE: 1/2" = 1'-0"



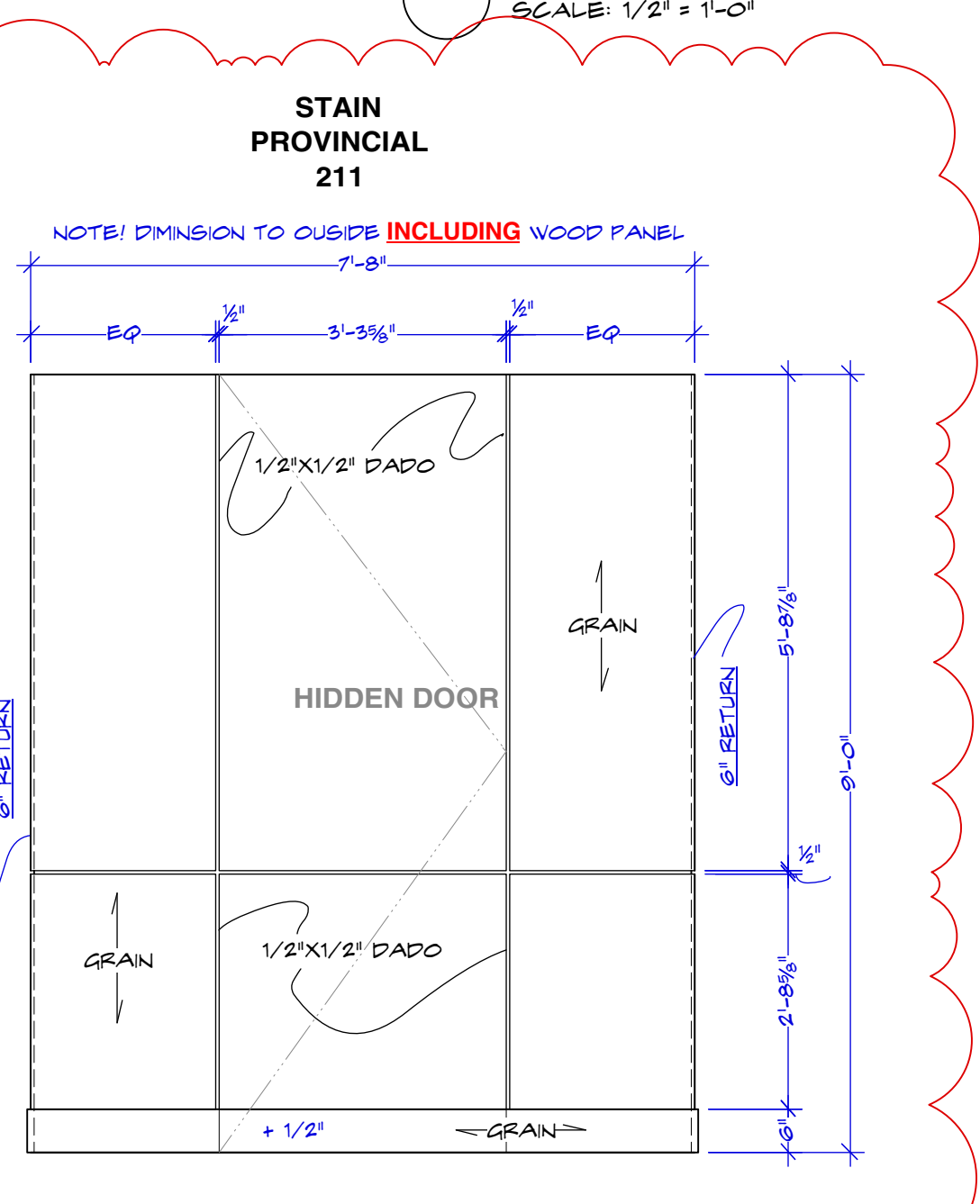
C DOOR PLUG C FRONT
SCALE: 1/2" = 1'-0"



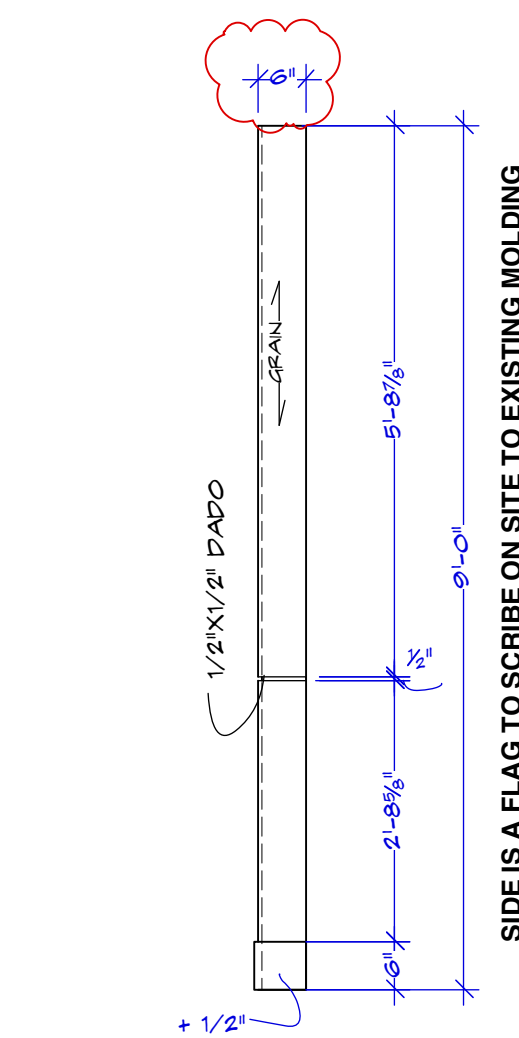
PLUG C PLAN
SCALE: 1/2" = 1'-0"



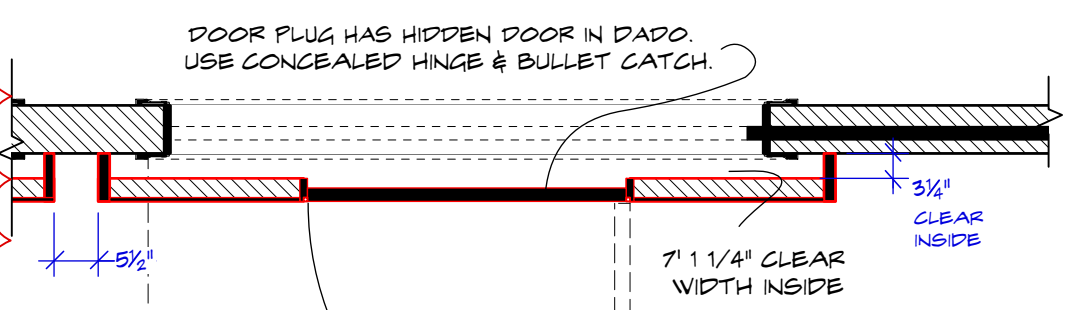
DOOR PLUG SIDE
SCALE: 1/2" = 1'-0"



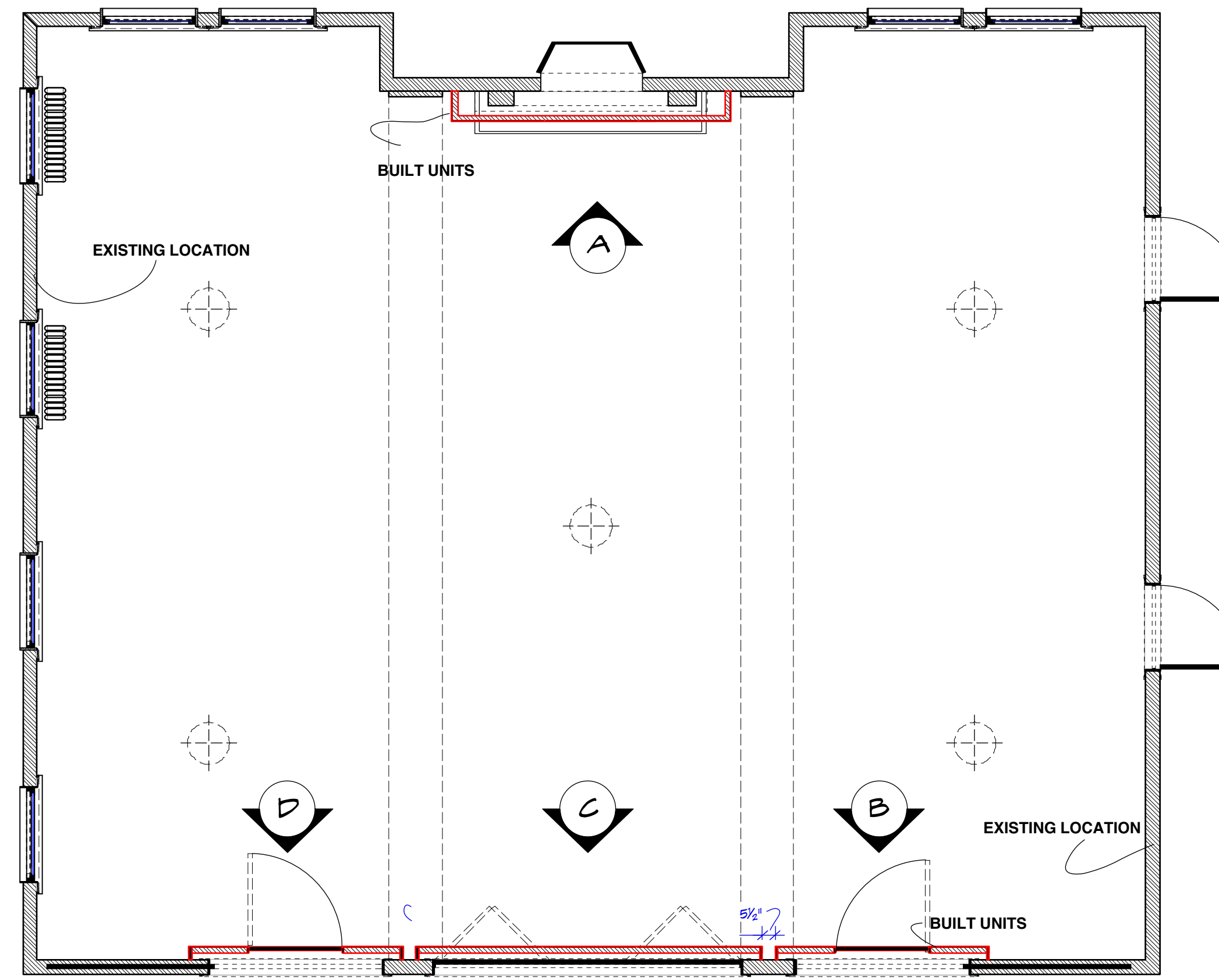
D DOOR PLUG D FRONT
SCALE: 1/2" = 1'-0"



DOOR PLUG SIDE VIEW
SCALE: 1/2" = 1'-0"



PLUG D PLAN
SCALE: 1/2" = 1'-0"



REFERENCE PLAN
SCALE: 1/4" = 1'-0"

3" 2" 1" 0
TRUE SIZE SCALE CHECK
110_401_Government Building Meeting Rm.v04

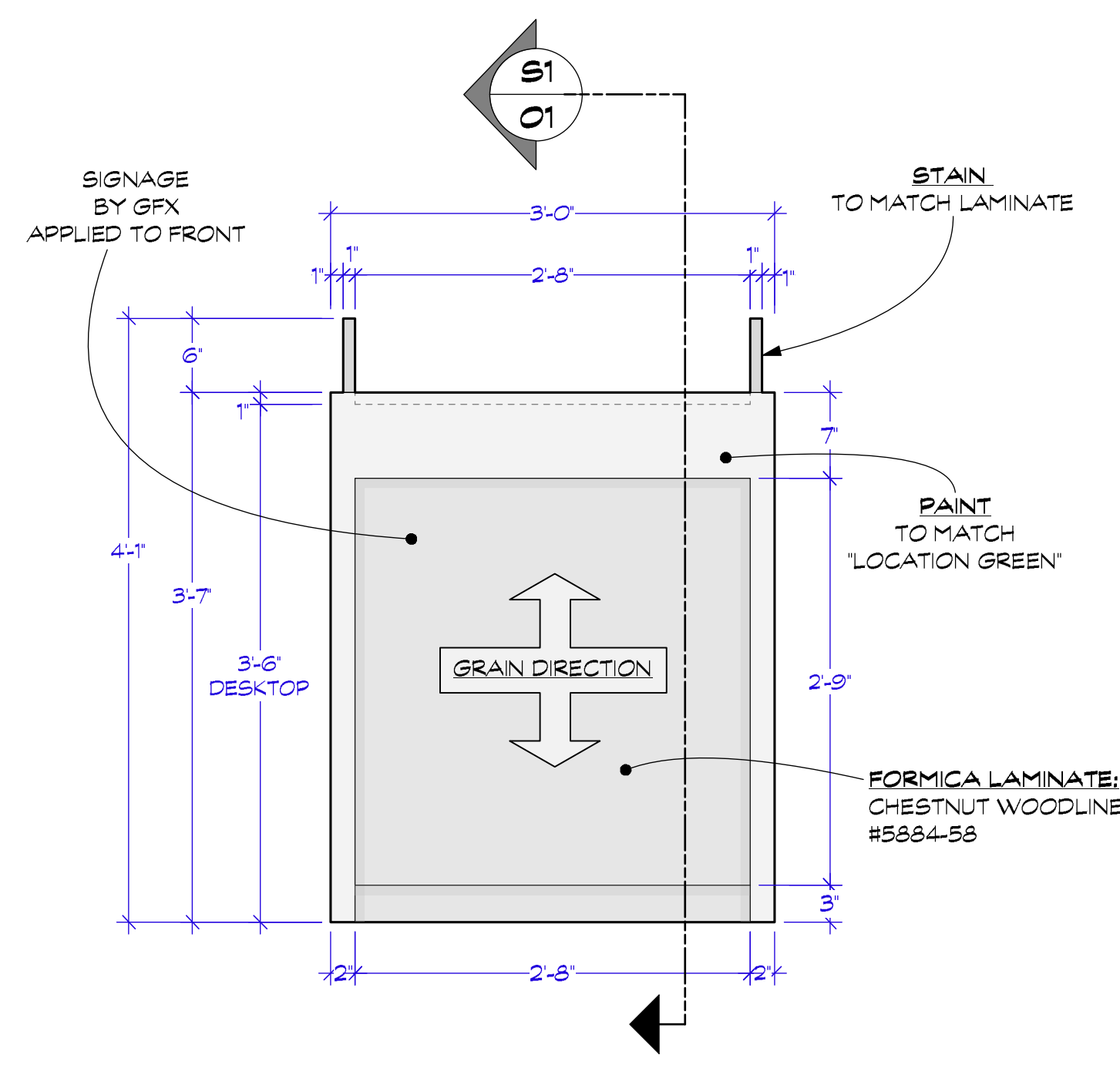


Exec Producer: NIKKI TOSCANO	Producer: JERRY KUPFER	Set Name & Description: GOVERNMENT BUILDING MEETING ROOM	Episode: 110	Drawn by: M. FAHRER
Line Producer: BILL SELL	UPM: BILL SELL	Director: VARIOUS	Set #: 401	Shot Date: 09/11/2019
Address: STEINER STUDIO 15 WASHINGTON AVE	AT Director: MARCI MUDD	Location: 424 E. 19TH ST BROOKLYN, NY 11226	Scale: NOTED	Sheet No.: 401-01
Prod. Designer: CURT BEECH	Const. Coordinator: NILES NORTON			

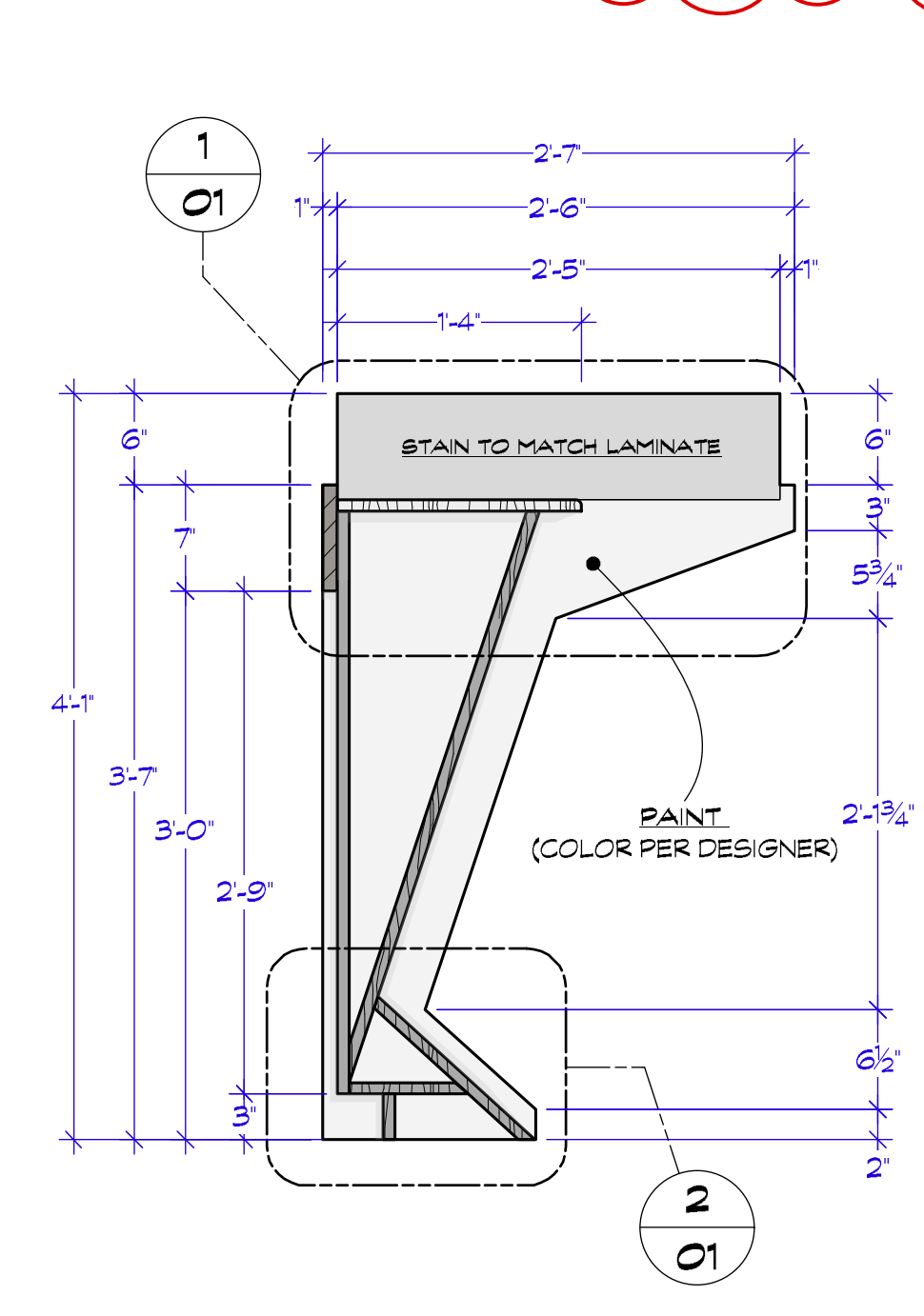
REVISED 09/04/2019
DEPTH OF B-D RETURNS
REVISOR: M. FAHRER

BUILD 4 TOTAL DESKS

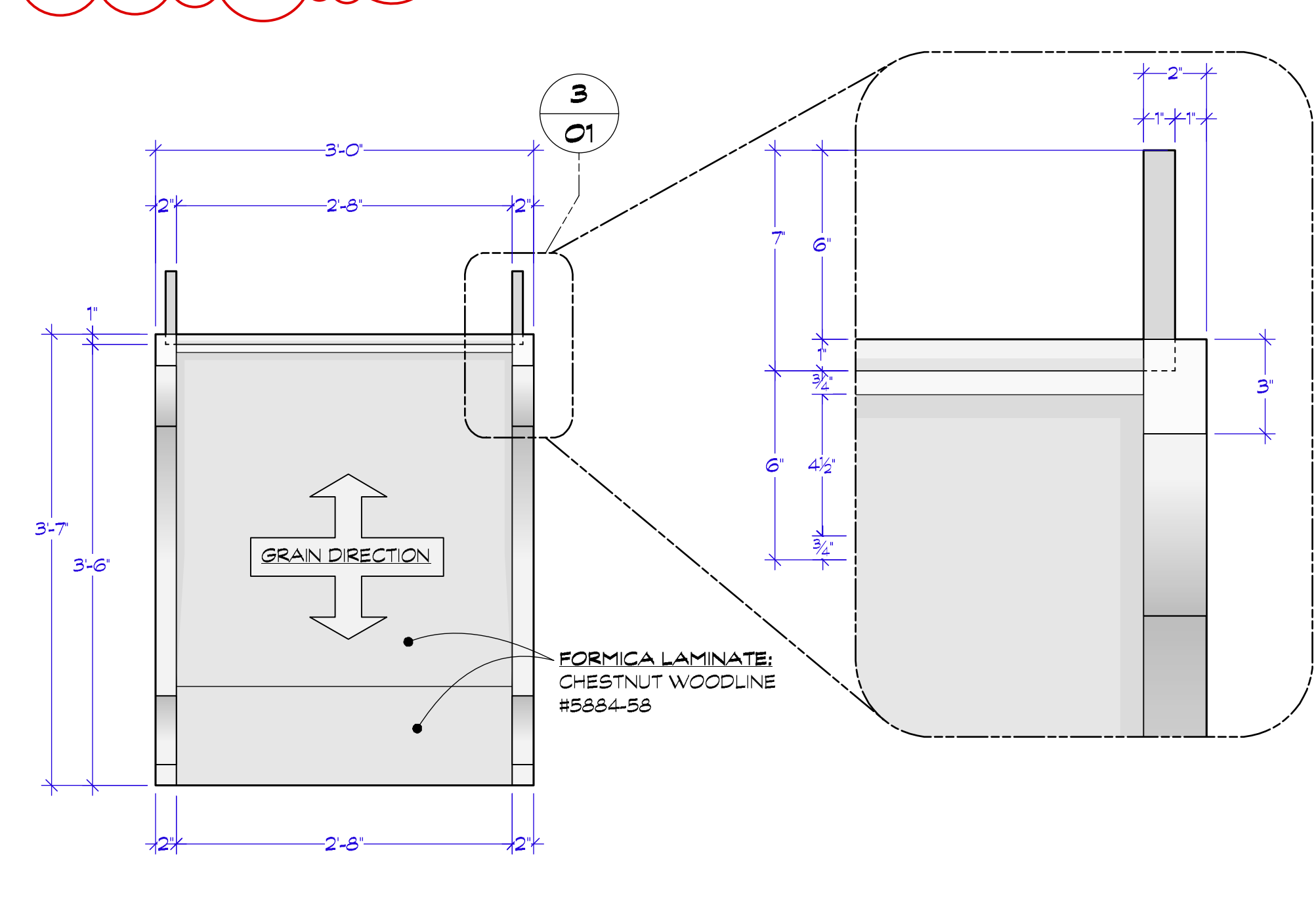
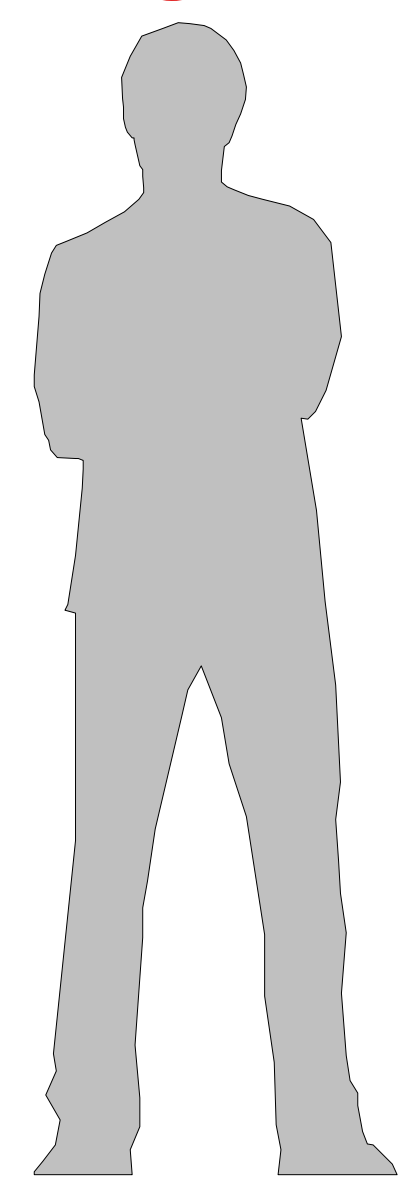
SHOOTS: DAY 12 - 09/10/19



ELEVATION
SCALE: 1" = 1'-0"

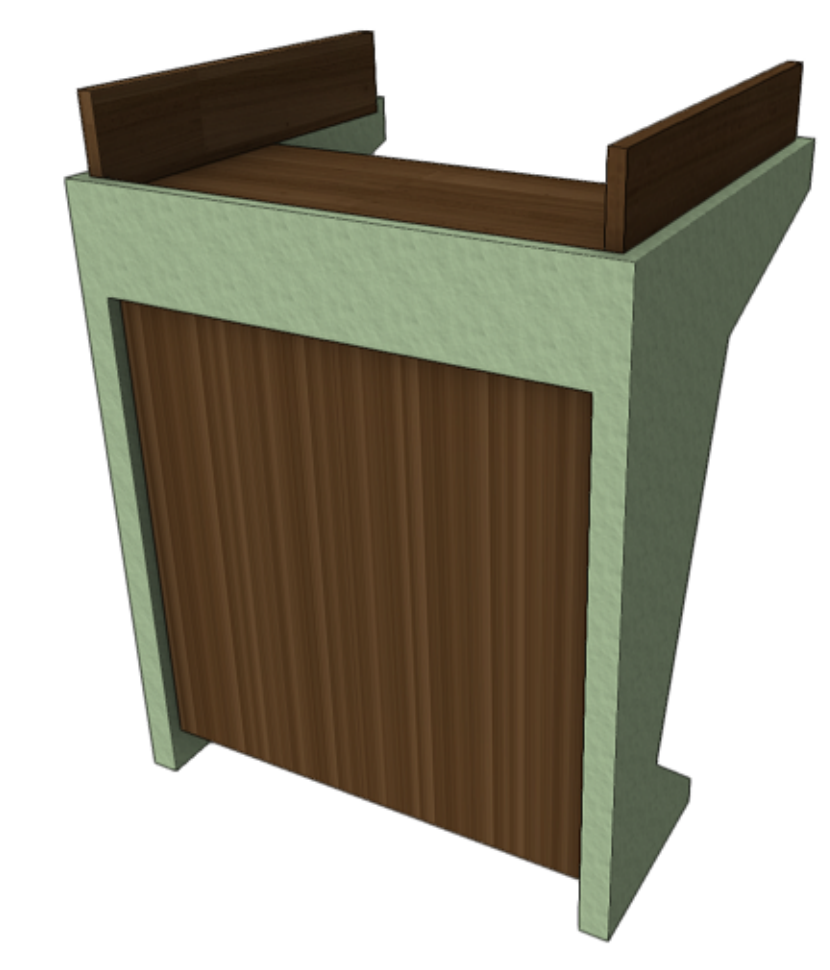


"S1" SECTION
SCALE: 1" = 1'-0"

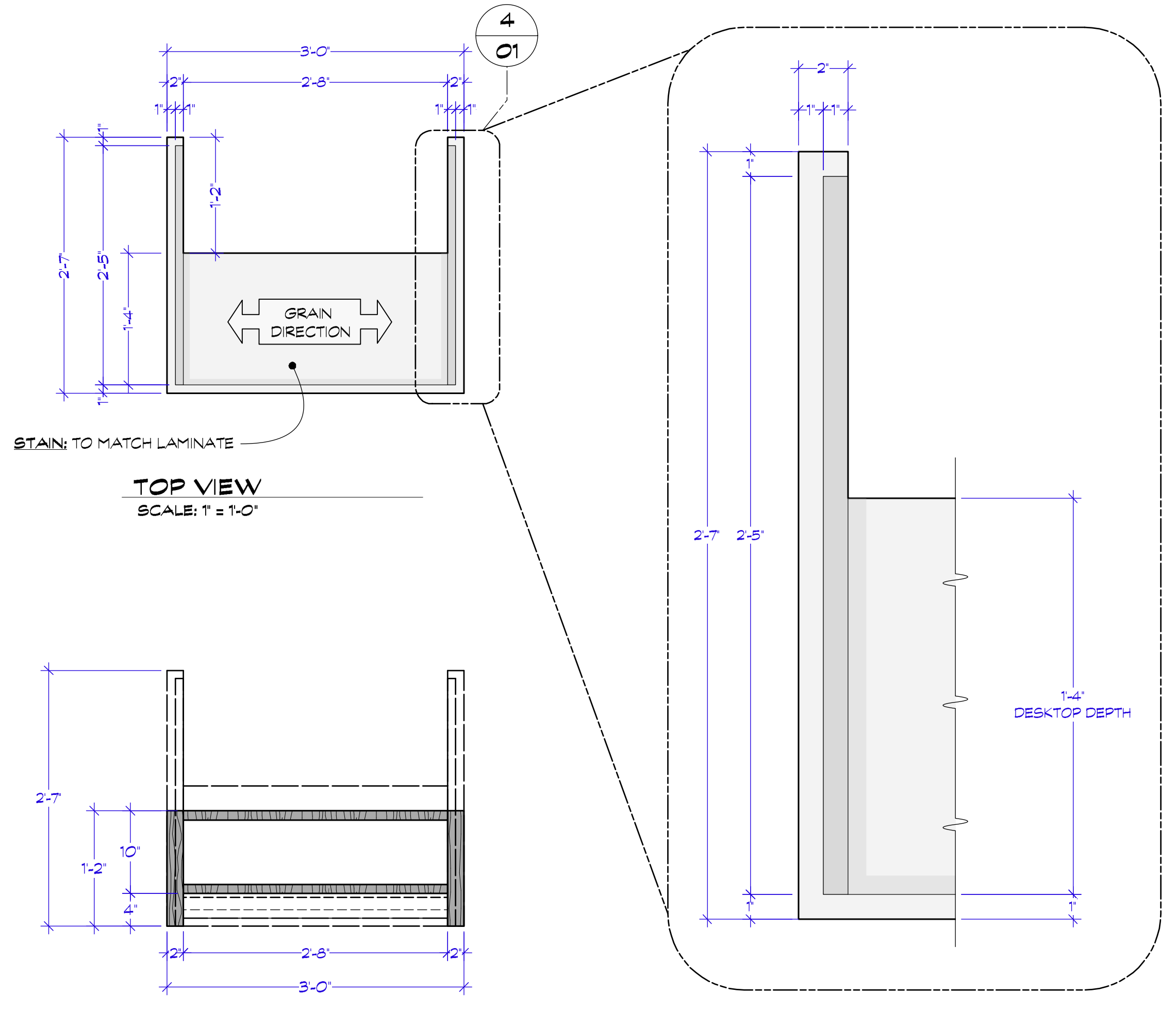


REAR VIEW
SCALE: 1" = 1'-0"

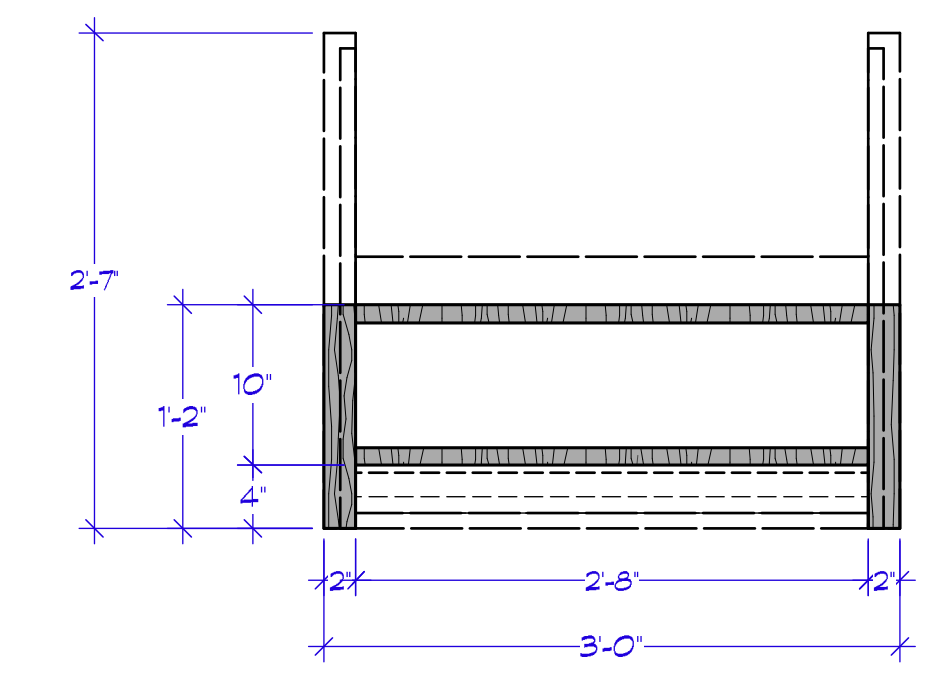
DETAIL 3
SCALE: FULL



TOP RIGHT ISO VIEW
NTS

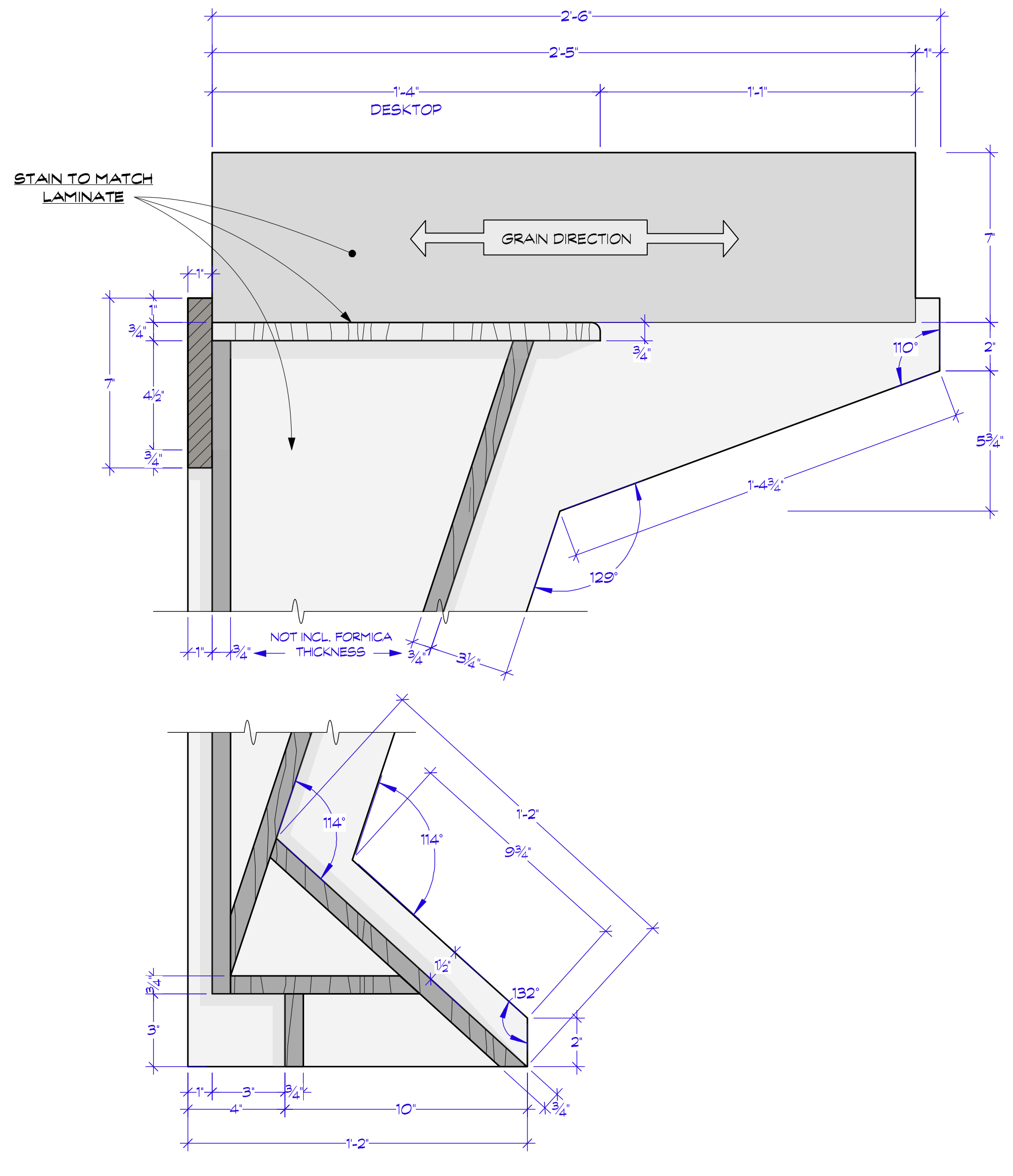


TOP VIEW
SCALE: 1" = 1'-0"

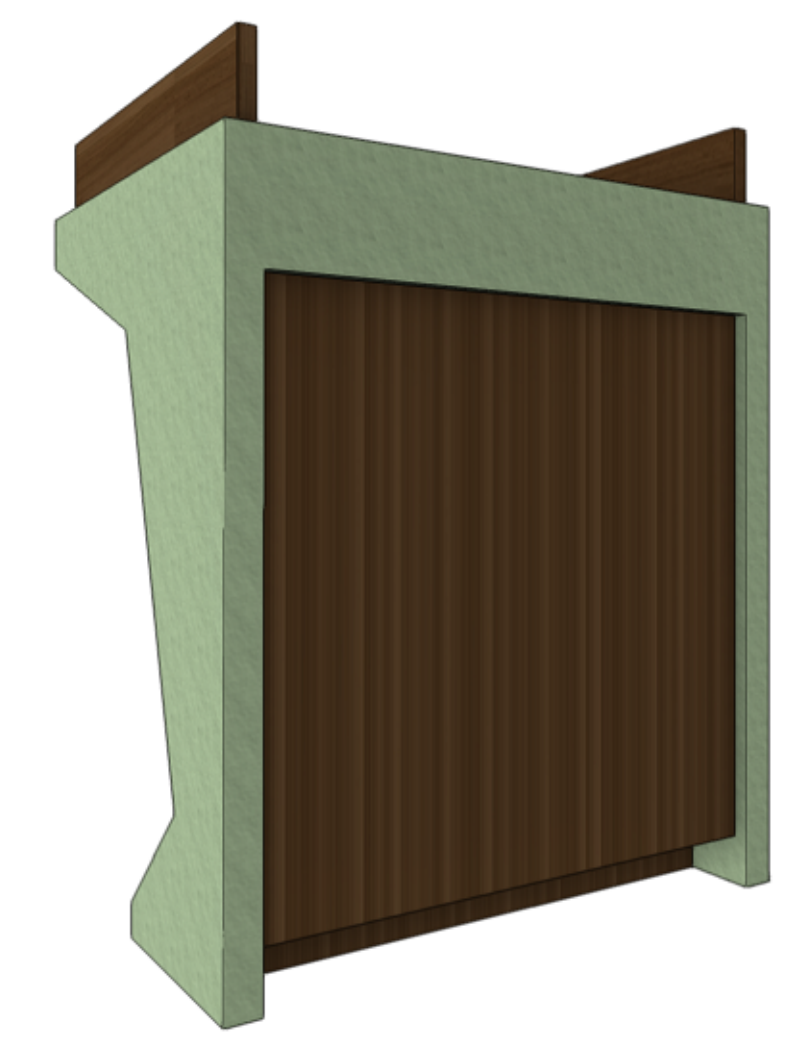


PLANVIEW
SCALE: 1" = 1'-0"

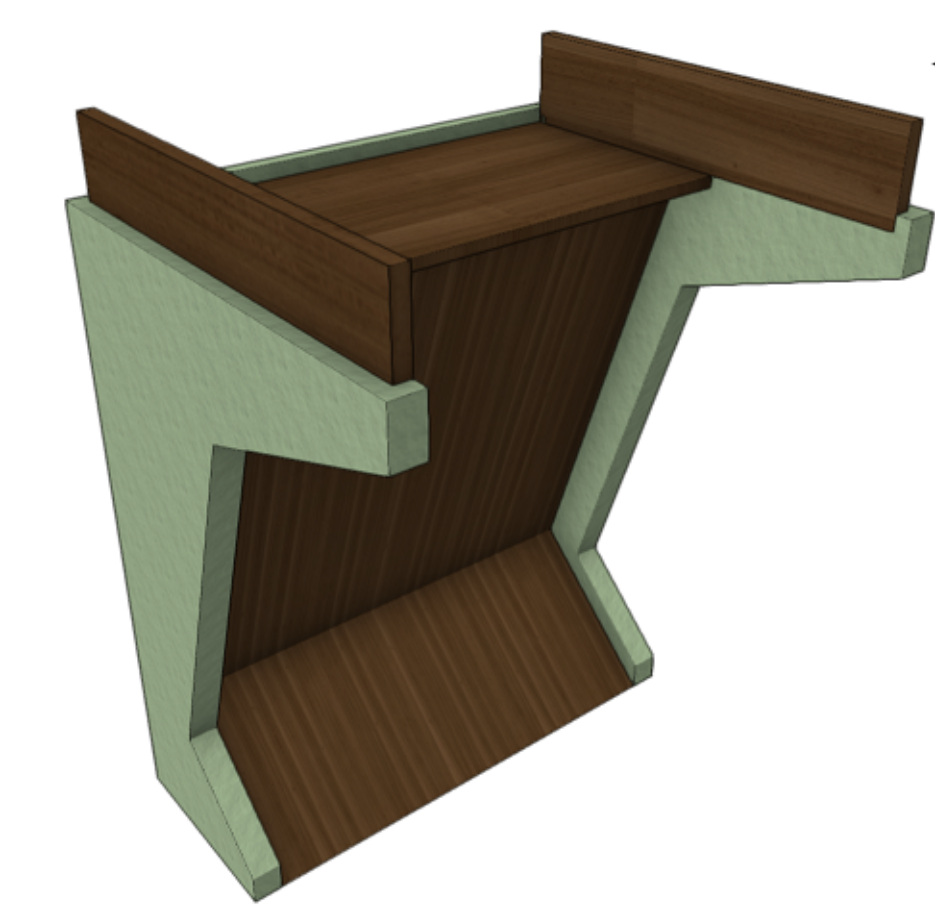
DETAIL 4
SCALE: 3" = 1'-0"



DETAIL 1 & 2
SCALE: 3" = 1'-0"



BOTTOM LEFT ISO VIEW
NTS



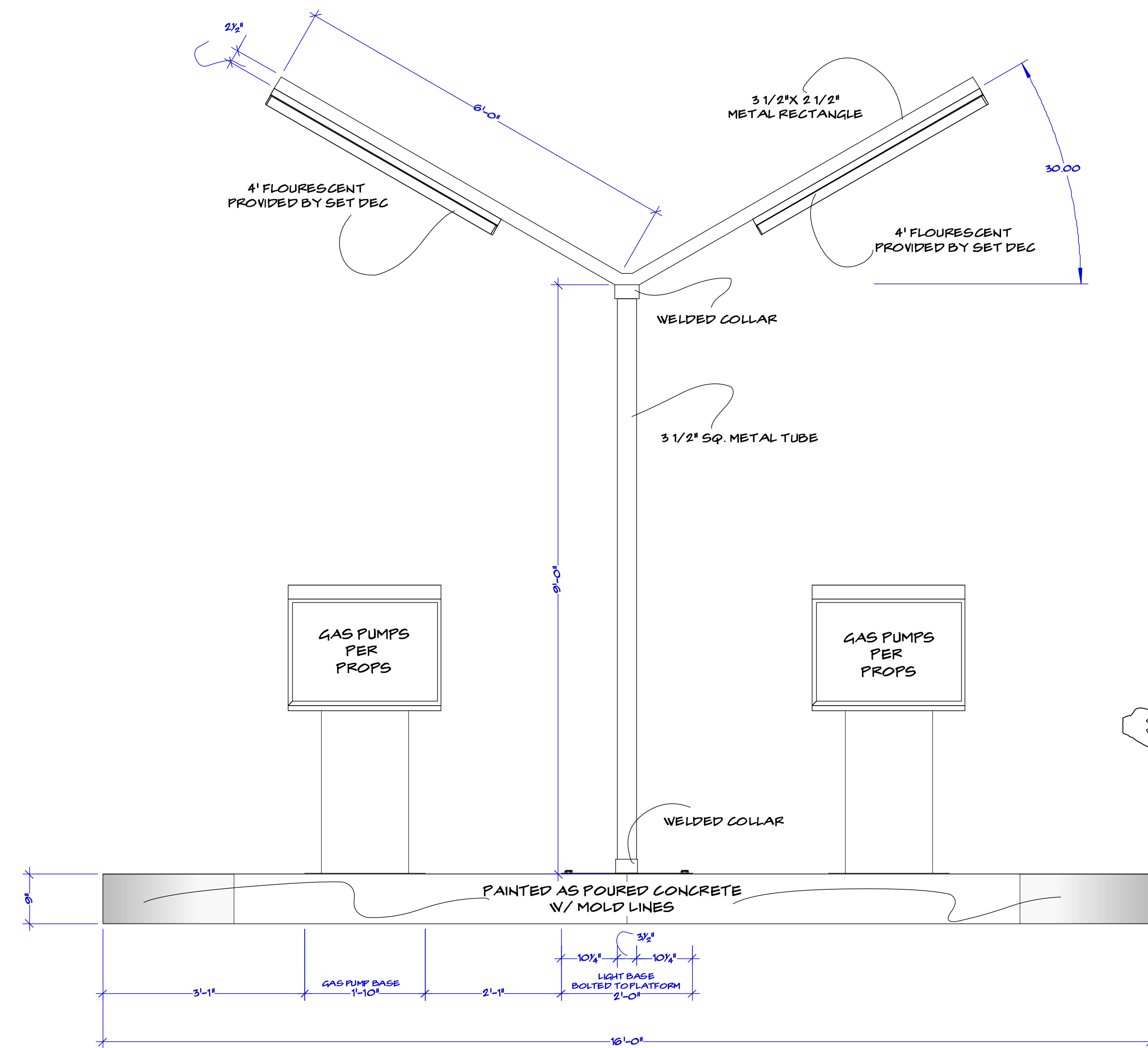
REAR ISO VIEW
NTS

RELEASED
08/26/19

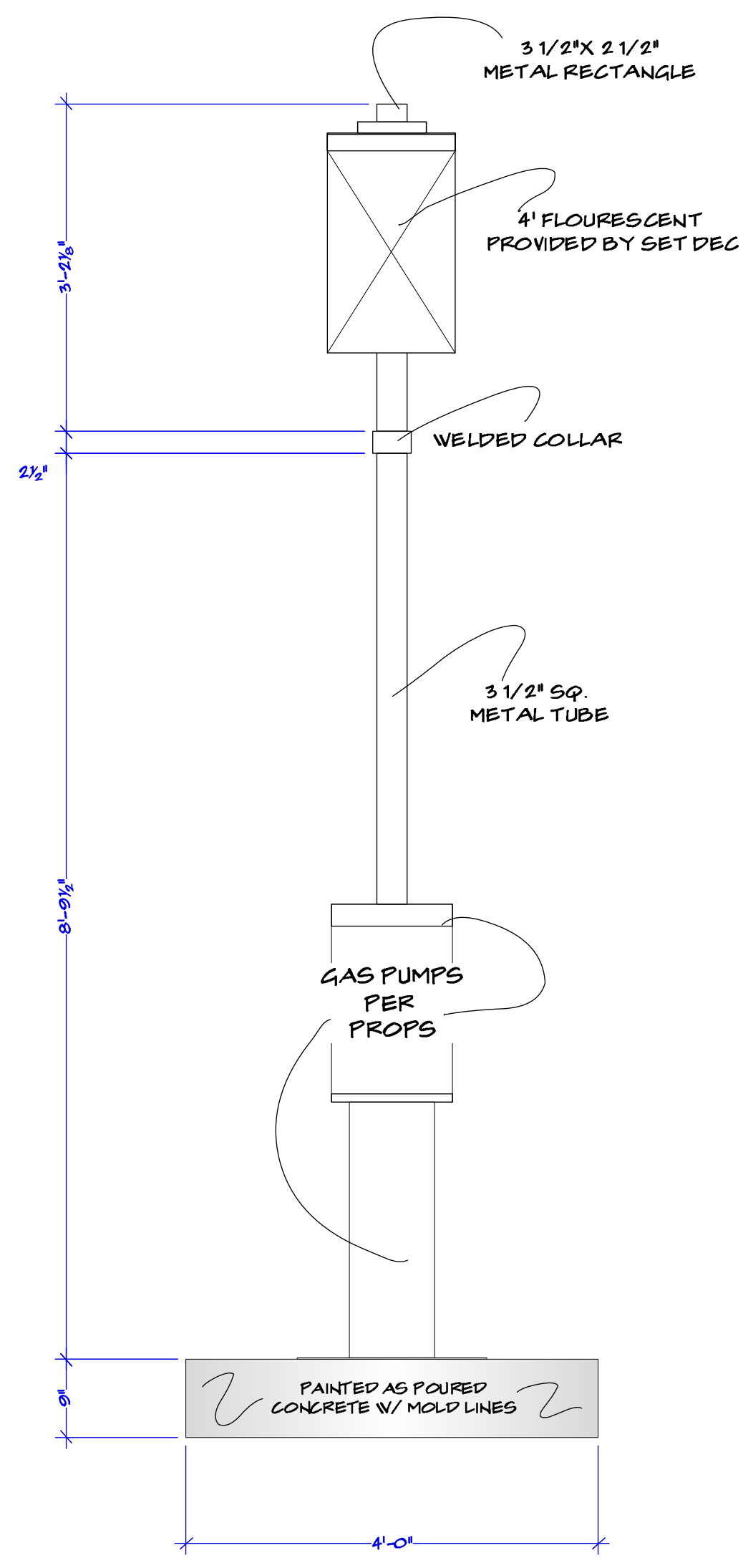


Episode: 110	Set #: 410	Scale: NOTED	Set Name & Description: USSR CUSTOMS DESK
Drawing Date: 8/30/2019	Sheet No.:	Drawn by: AGU	Director: VARIOUS
Sheet Date: 9/10/19	Scale:	Sheet No.:	Location: FLATBUSH TOMPKINS CHURCH, 424 E. 19TH, BROOKLYN
		Sheet No.:	Director: JERRY KUPFER
		Sheet No.:	Producer: UPM: BILL SELL
		Sheet No.:	Line Producer: NIKKI TOSCANO
		Sheet No.:	Address: STEINER STUDIO 16 WASHINGTON AVE
		Sheet No.:	Prof. Designer: CURT BEECH
		Sheet No.:	Art Director: MARC MUDD
		Sheet No.:	Const. Coordinator: NILES NORTON
		Sheet No.:	Set Decorator: SUSAN MARSHAL

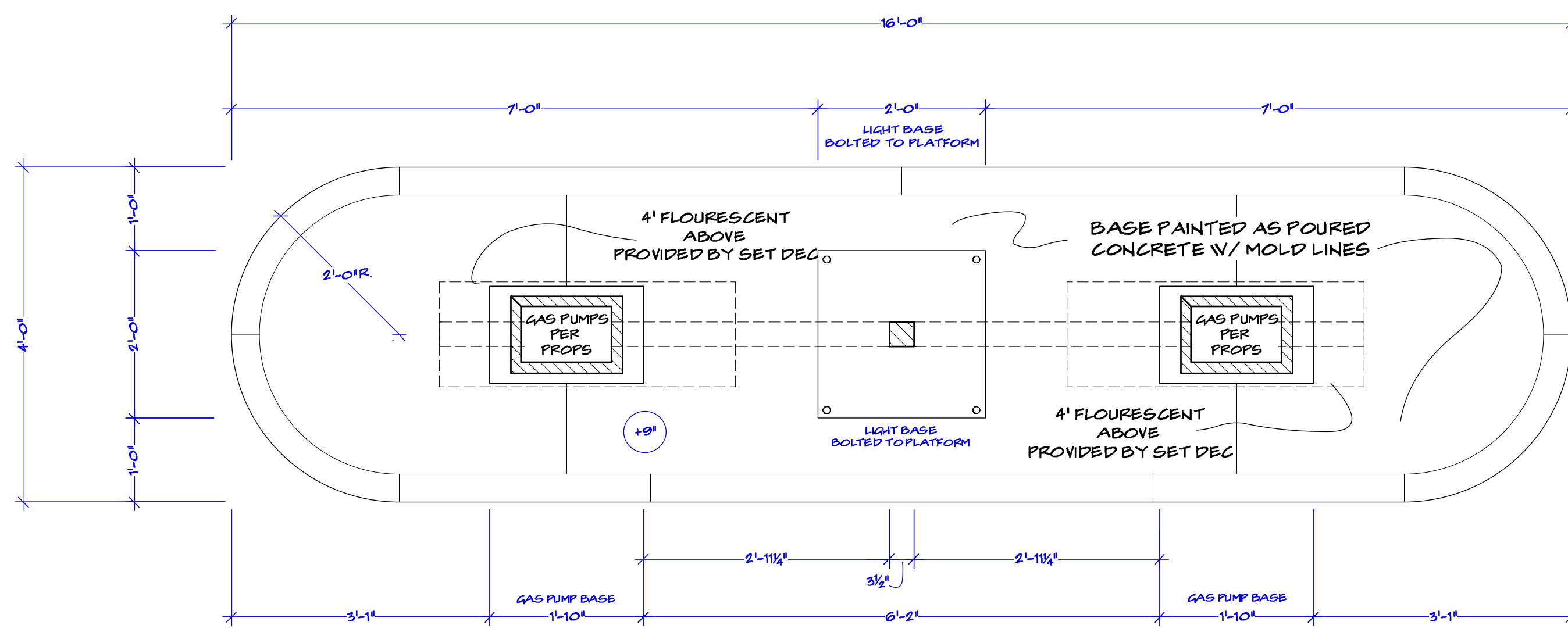




A GAS STATION ISLAND FRONT
SCALE: 3/4" = 1'-0"



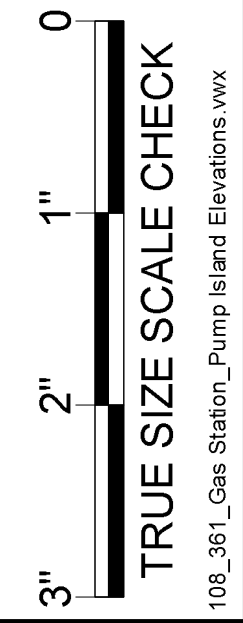
3 GAS PUMP ISLAND SIDE VIEW
SCALE: 3/4" = 1'-0"



GAS STATION ISLAND PLAN
SCALE: 3/4" = 1'-0"



REFERENCE IMAGE



TRUE SIZE SCALE CHECK
108_361_Gas Station_Pump Island Elevations.wvx



